



US00D560564S

(12) **United States Design Patent**
Cheng

(10) **Patent No.:** **US D560,564 S**

(45) **Date of Patent:** **** Jan. 29, 2008**

(54) **FRAME FOR AN ELECTRIC SCOOTER**

(75) Inventor: **Ming-Chuan Cheng**, Taichung (TW)

(73) Assignee: **Merits Health Products Co., Ltd.**,
Taichung (TW)

(**) Term: **14 Years**

(21) Appl. No.: **29/258,660**

(22) Filed: **Apr. 25, 2006**

(51) **LOC (8) Cl.** **12-12**

(52) **U.S. Cl.** **D12/131**

(58) **Field of Classification Search** D12/128-133,
D12/16, 85; 267/5; 135/65-67, 74, 912;
280/62, 647-650, 29, 200, 47.38, 250.1,
280/259, 642, 658; 297/DIG. 4; 296/65.03,
296/65.04; 224/409; D6/364; D34/15;
180/6.5, 65.1, 65.6, 65.8, 208, 907, 906
See application file for complete search history.

(56) **References Cited**

U.S. PATENT DOCUMENTS

- 4,570,739 A * 2/1986 Kramer 180/216
- 5,238,082 A * 8/1993 Stegeman et al. 180/208
- D531,094 S * 10/2006 Flowers et al. D12/131
- 7,221,123 B2 * 5/2007 Chen 320/104

* cited by examiner

Primary Examiner—Ian Simmons

Assistant Examiner—Charles D Hanson

(74) *Attorney, Agent, or Firm*—Alan Kamrath; Kamrath & Associates PA

(57) **CLAIM**

The ornamental design for a frame for an electric scooter, as shown and described.

DESCRIPTION

FIG. 1 is a perspective view of a frame for an electric scooter showing my new design;

FIG. 2 is a front view thereof;

FIG. 3 is a rear view thereof;

FIG. 4 is a left side view thereof;

FIG. 5 is a right side view thereof;

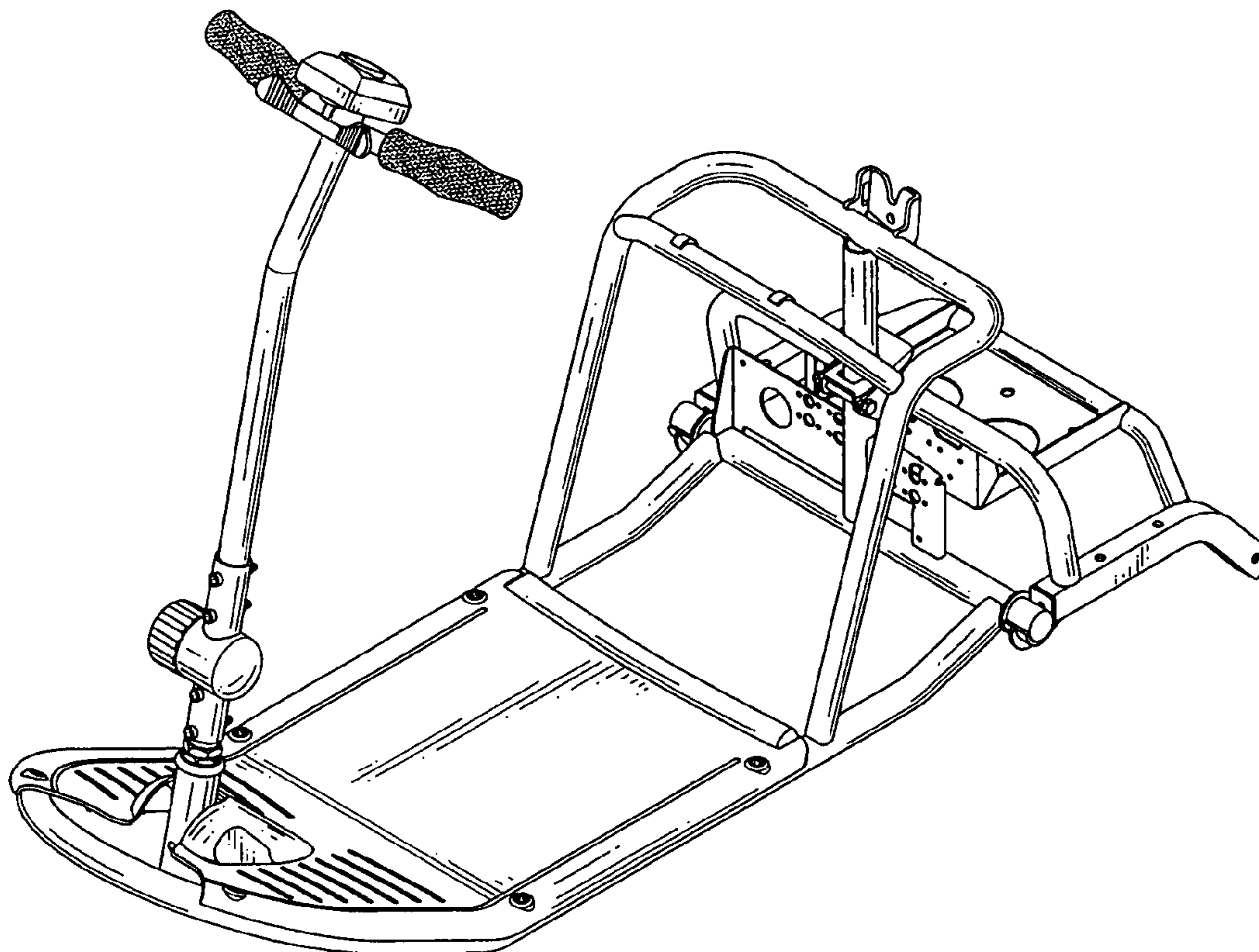
FIG. 6 is a top view thereof; and

FIG. 7 is a bottom view thereof;

FIG. 8 is a perspective view thereof, wherein the broken lines are shown for illustrative purposes and form no part of the claimed design; and,

FIG. 9 is a perspective view thereof, wherein the broken lines are shown for illustrative purposes and form no part of the claimed design.

1 Claim, 8 Drawing Sheets



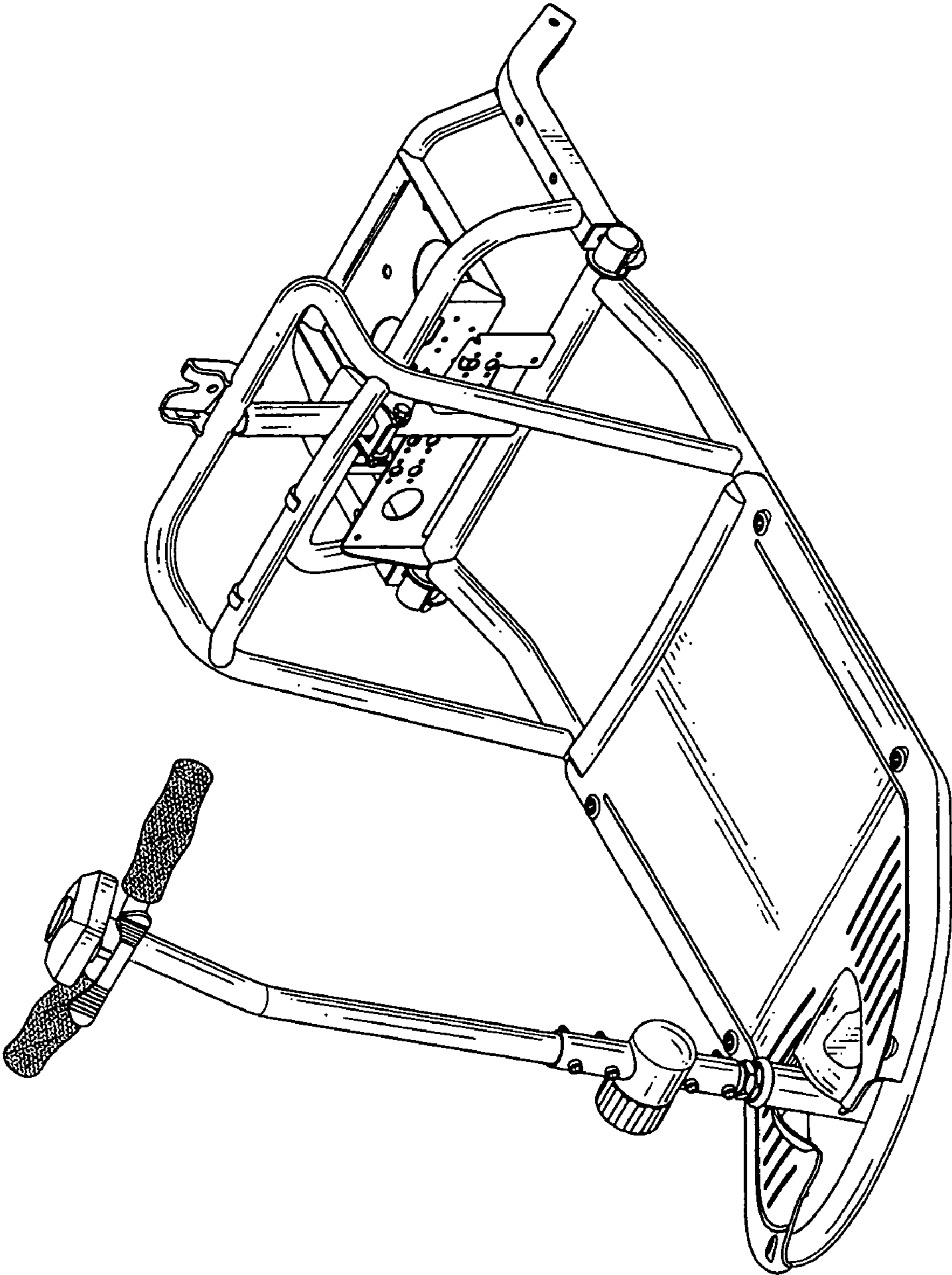


FIG. 1

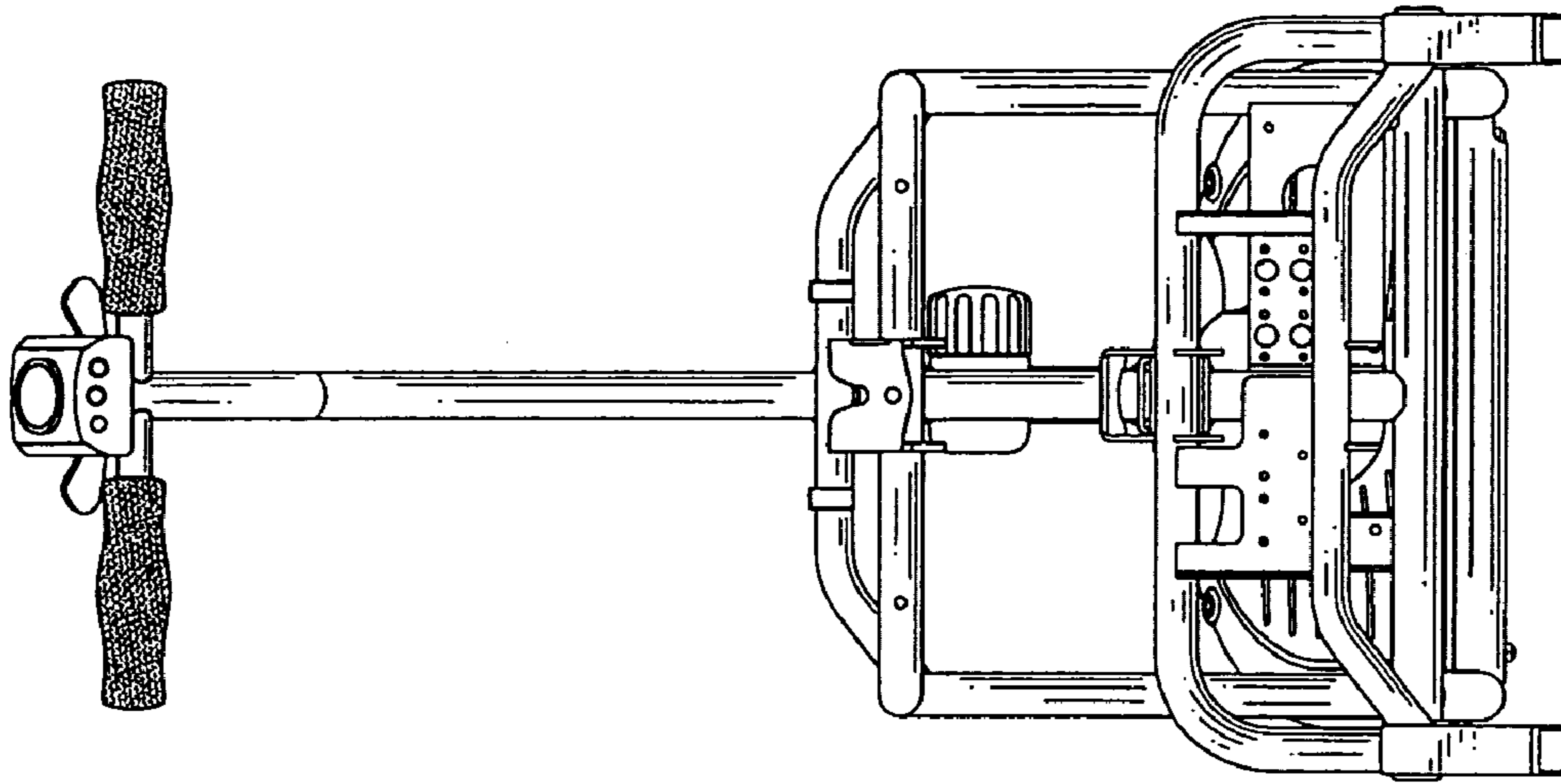


FIG. 3

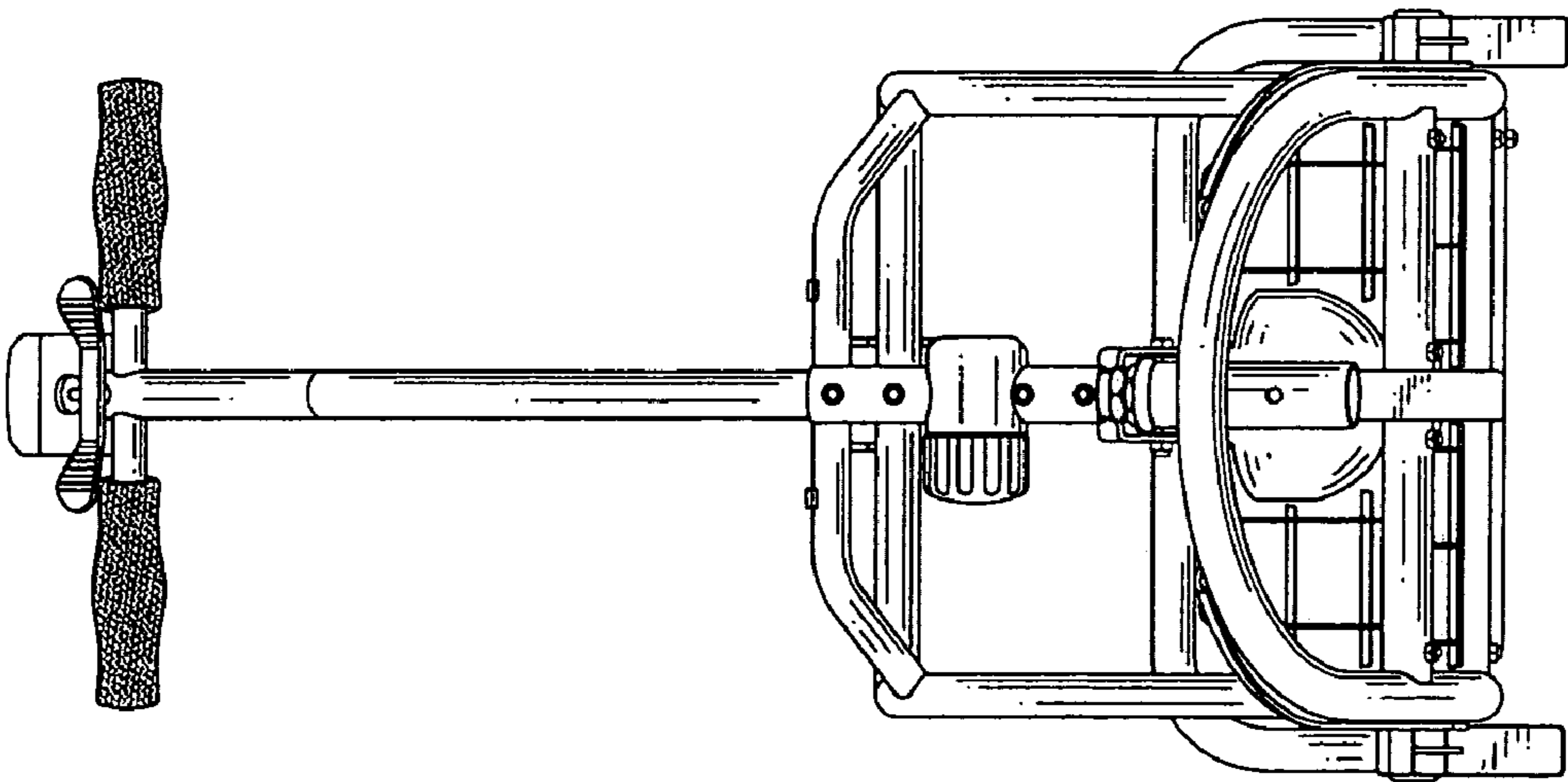


FIG. 2

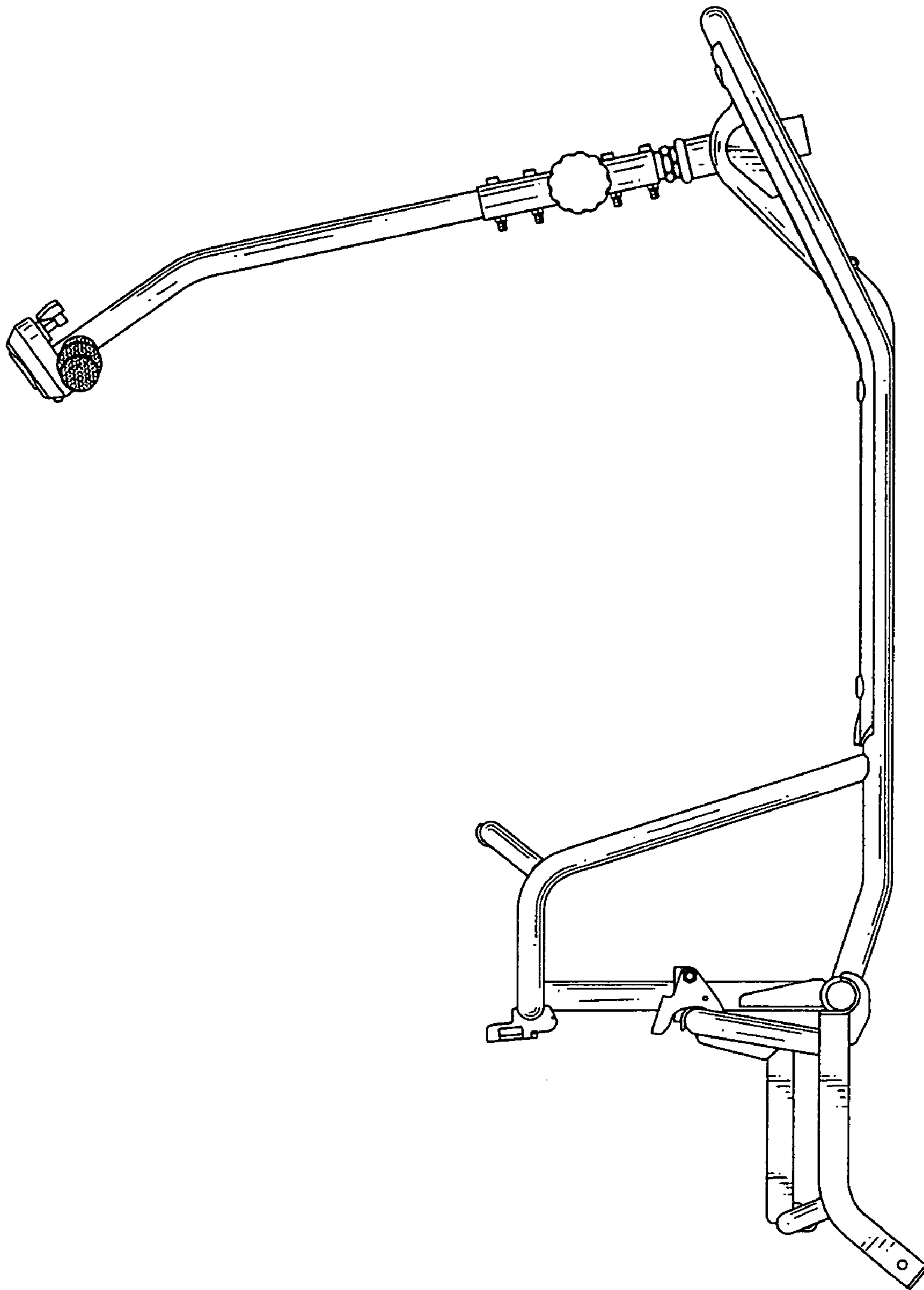


FIG. 4

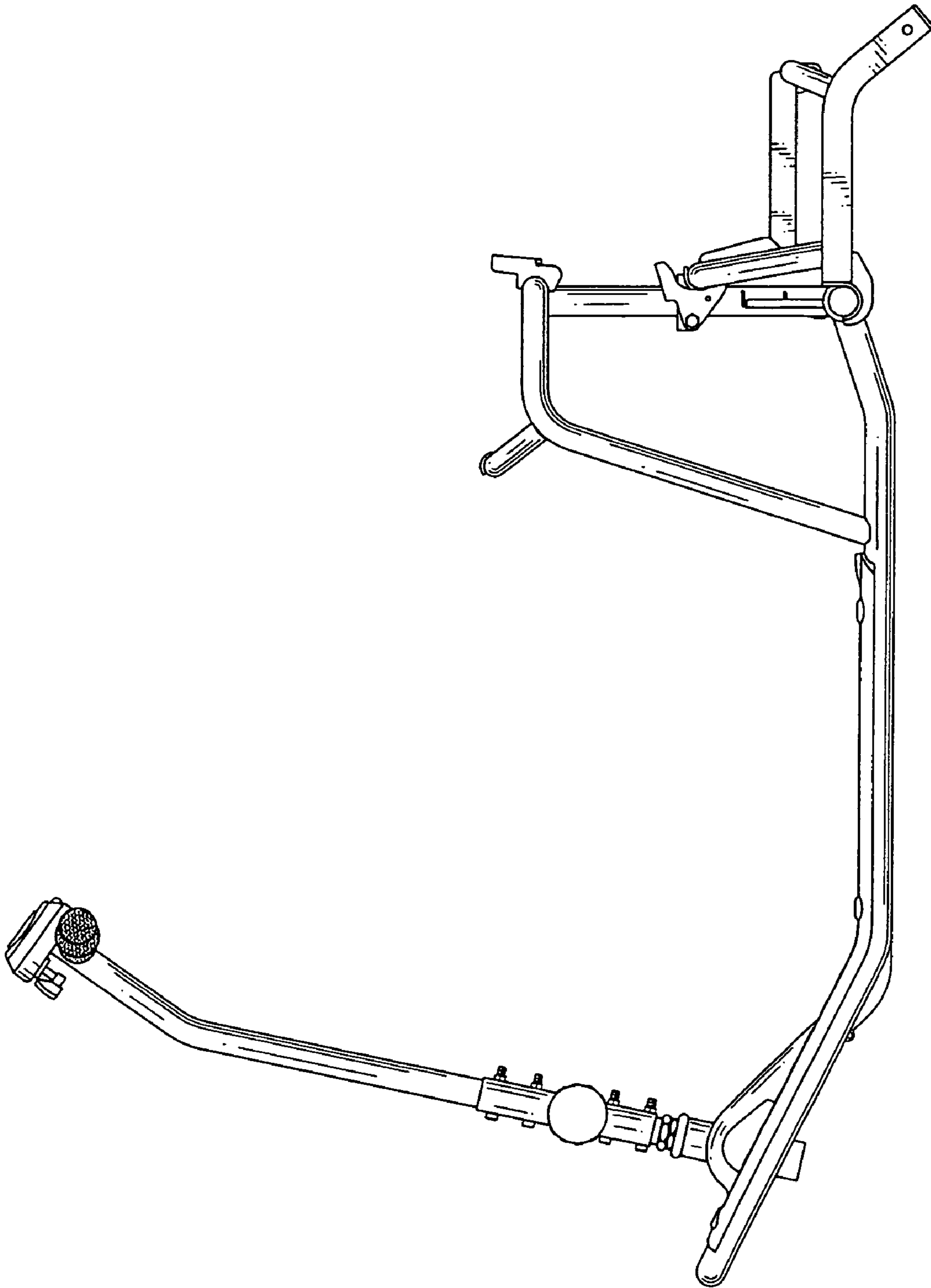


FIG. 5

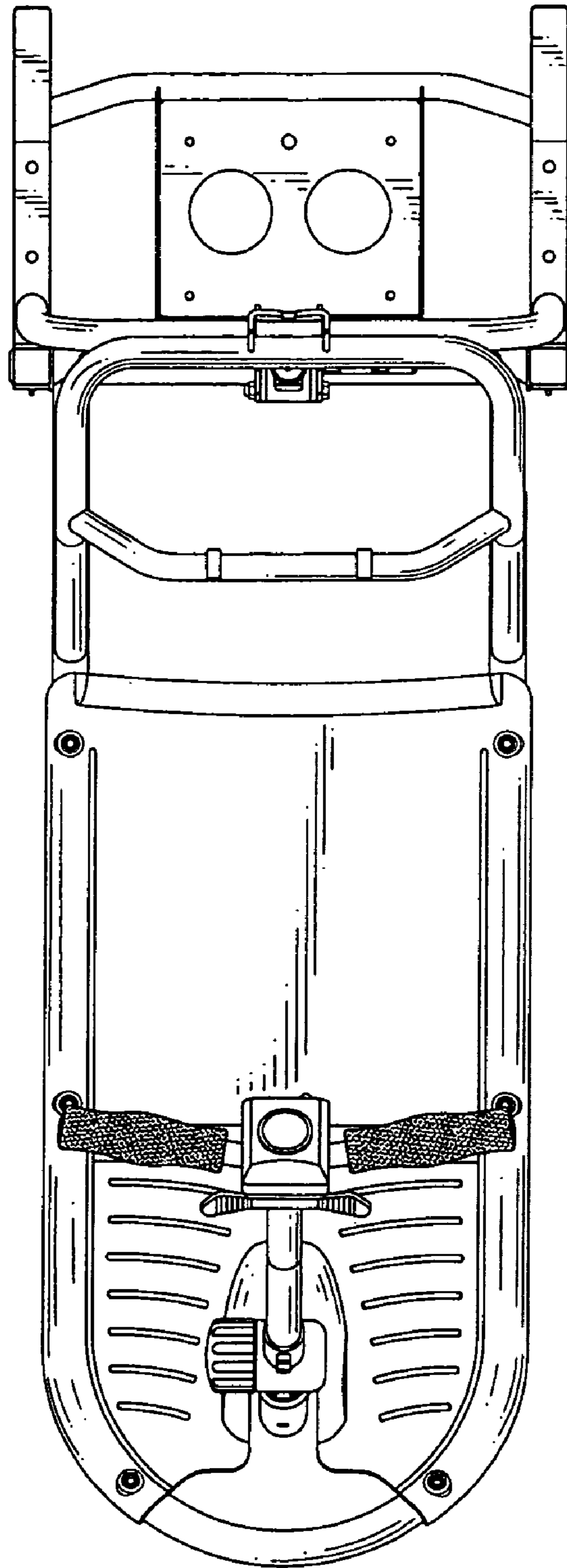


FIG. 6

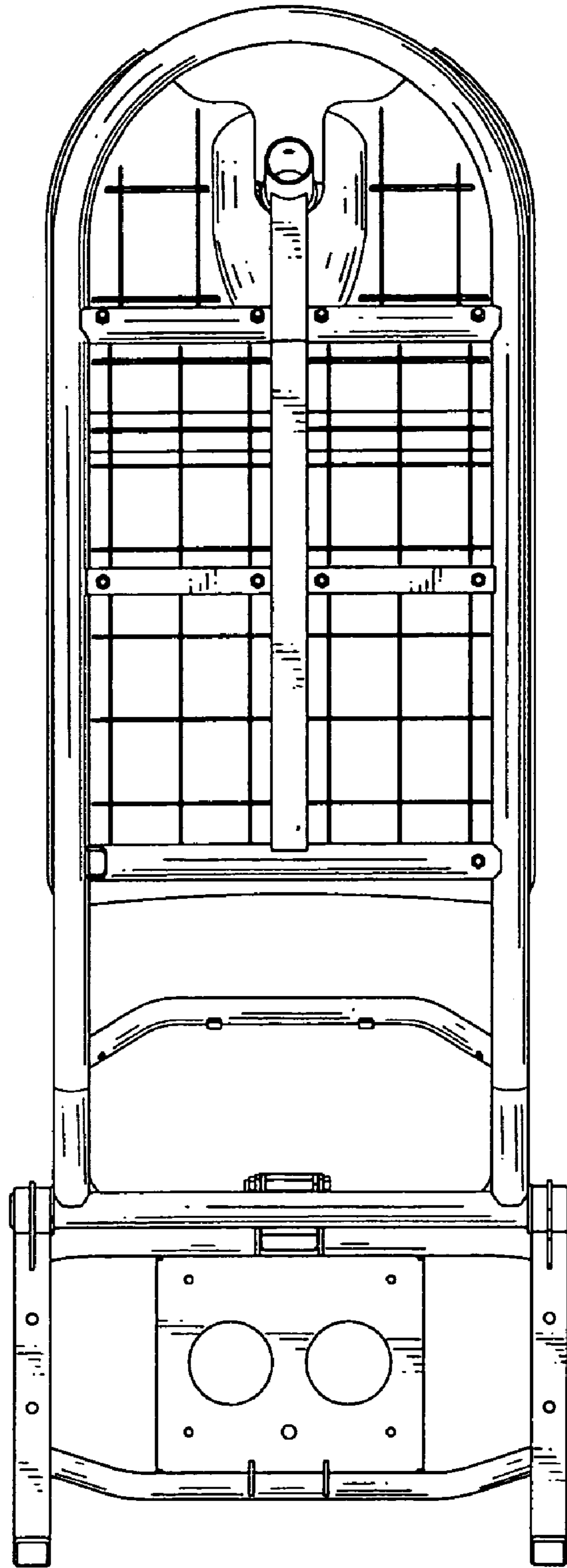


FIG. 7

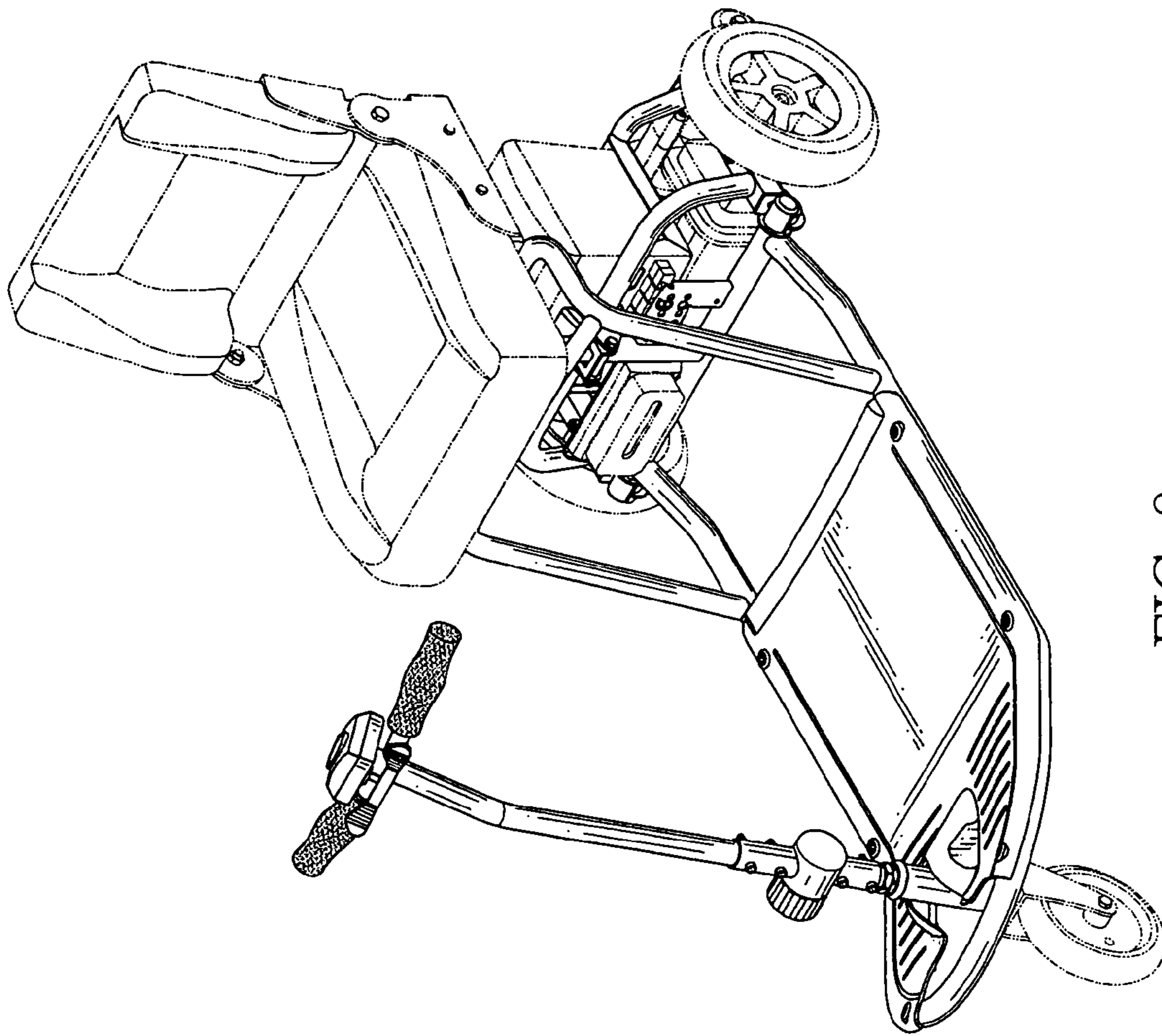


FIG. 8

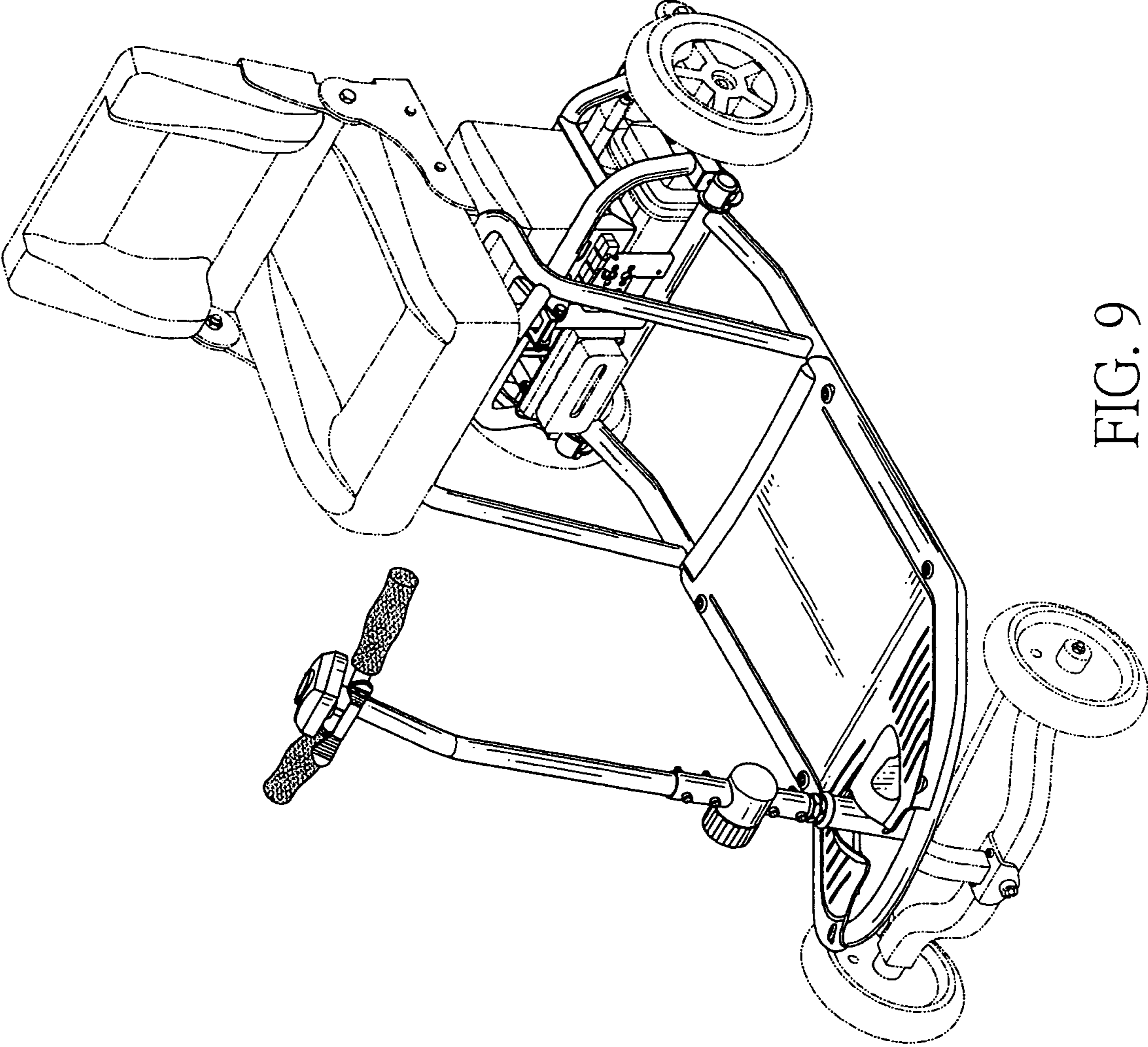


FIG. 9