



US00D560563S

(12) **United States Design Patent**
Fransson et al.

(10) **Patent No.:** **US D560,563 S**
(45) **Date of Patent:** **** Jan. 29, 2008**

(54) **ROLLING WALKER**

(57) **CLAIM**

(75) Inventors: **Christina Fransson**, Huskvarna (SE);
Anders Ahlbertz, Göteborg (SE)

The ornamental designs for a rolling walker, as shown and described.

(73) Assignee: **Dolomite AB**, Anderstorp (SE)

DESCRIPTION

(**) Term: **14 Years**

FIG. 1 is a perspective view of rolling walker showing my new design;

(21) Appl. No.: **29/192,840**

FIG. 2 is a right side view thereof,

(22) Filed: **Oct. 31, 2003**

FIG. 3 is a front view thereof;

(30) **Foreign Application Priority Data**

May 2, 2003 (EM) 17199

FIG. 4 is a rear view thereof;

(51) **LOC (8) Cl.** **12-12**

FIG. 5 is a top plan view thereof,

(52) **U.S. Cl.** **D12/130**

FIG. 6 is a bottom plan view thereof;

(58) **Field of Classification Search** D12/128-133;
267/5; 135/65-67, 74, 912; 280/647-650,
280/29, 200, 250.1, 259; 297/DIG. 4; 296/65.03,
296/65.04; 224/409; D6/364

FIG. 7 is a left side view thereof,

See application file for complete search history.

FIG. 8 is a perspective view thereof, in a compact condition;

(56) **References Cited**

U.S. PATENT DOCUMENTS

3,442,276	A *	5/1969	Thomas et al.	135/67
4,298,016	A *	11/1981	Garelick	135/67
D268,017	S *	2/1983	Thomas	D12/130
D281,771	S *	12/1985	Webb	D12/130
4,800,910	A *	1/1989	Gamm	135/67
4,830,035	A *	5/1989	Liu	135/67
4,946,058	A *	8/1990	Stamm	220/23.83
5,392,802	A *	2/1995	Farr et al.	135/66
D360,174	S *	7/1995	Kjell et al.	D12/130
D396,437	S *	7/1998	Liljedahl	D12/130
D427,115	S *	6/2000	Kjell et al.	D12/130

FIG. 9 is perspective view of a modified embodiment of the design shown in FIGS 1-8;

FIG. 10 is a right side view thereof,

FIG. 11 is a front view thereof;

FIG. 12 is a top plan view thereof,

FIG. 13 is a rear view thereof,

FIG. 14 is a bottom plan view thereof,

FIG. 15 is a left side view thereof,

FIG. 16 is a perspective view thereof, in a compact condition;

FIG. 17 is a perspective view of a second modified embodiment of the design shown in FIGS. 1-8;

FIG. 18 is a right side view thereof, FIG. 19 is a front view thereof; FIG. 20 is a rear view thereof;

FIG. 21 is a top plan view thereof;

FIG. 22 is a bottom plan view thereof;

FIG. 23 is a left side view thereof; and,

FIG. 24 is a perspective view thereof, in a compact condition.

The broken line showing is included for the purpose of illustrating environment and forms no part of the claimed design.

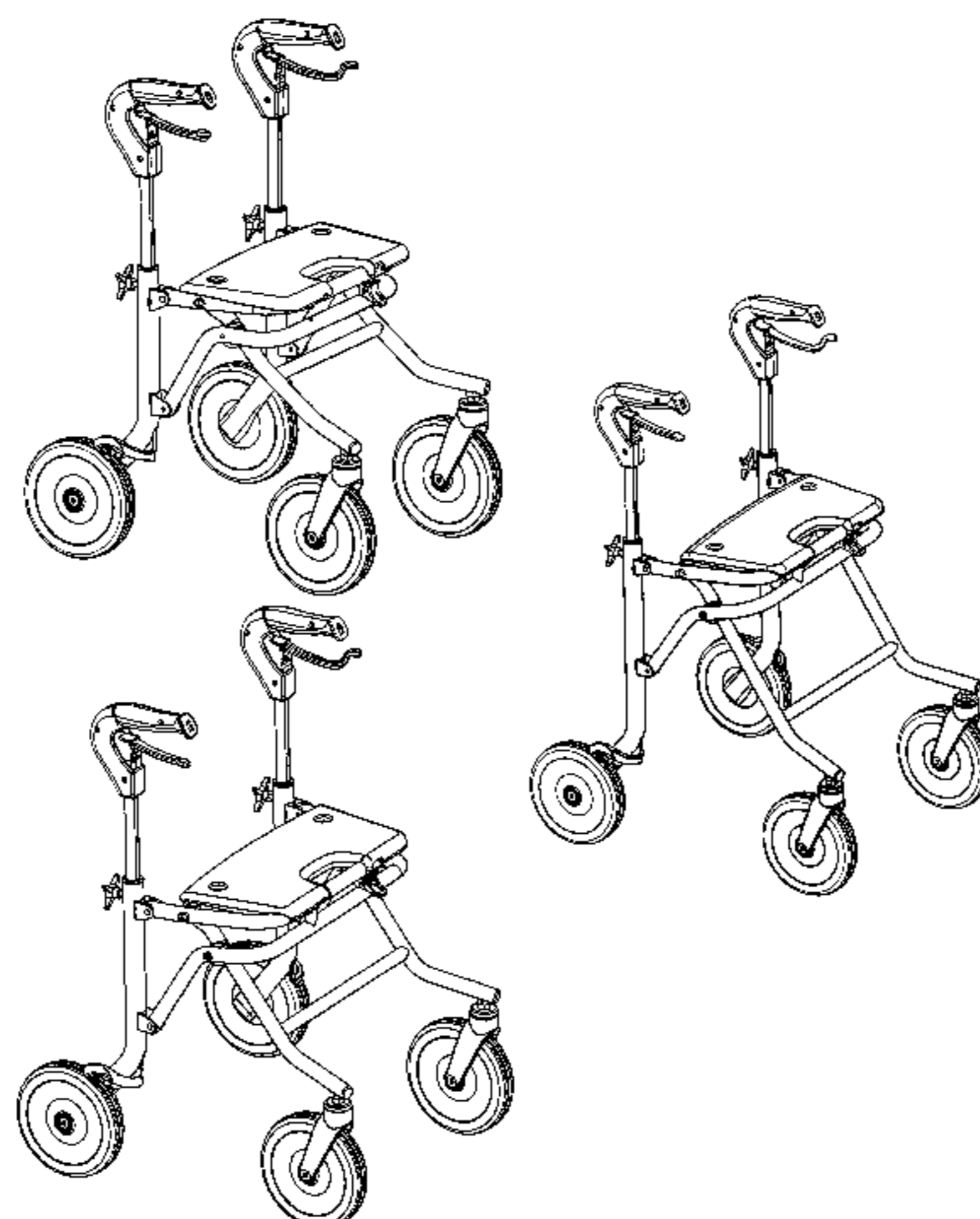
(Continued)

Primary Examiner—Charles A. Rademaker

Assistant Examiner—Charles D Hanson

(74) *Attorney, Agent, or Firm*—Harness, Dickey & Pierce, P.L.C.

1 Claim, 24 Drawing Sheets



US D560,563 S

Page 2

U.S. PATENT DOCUMENTS

D441,694 S	*	5/2001	Kjell et al.	D12/130	6,990,990 B2 *	1/2006	Wilensky et al.	135/67
D451,053 S	*	11/2001	Hallgrimsson	D12/130	D519,423 S *	4/2006	Tolfsen	D12/130
D503,909 S	*	4/2005	Tolfsen et al.	D12/130	D522,932 S *	6/2006	LeBlanc et al.	D12/130

* cited by examiner

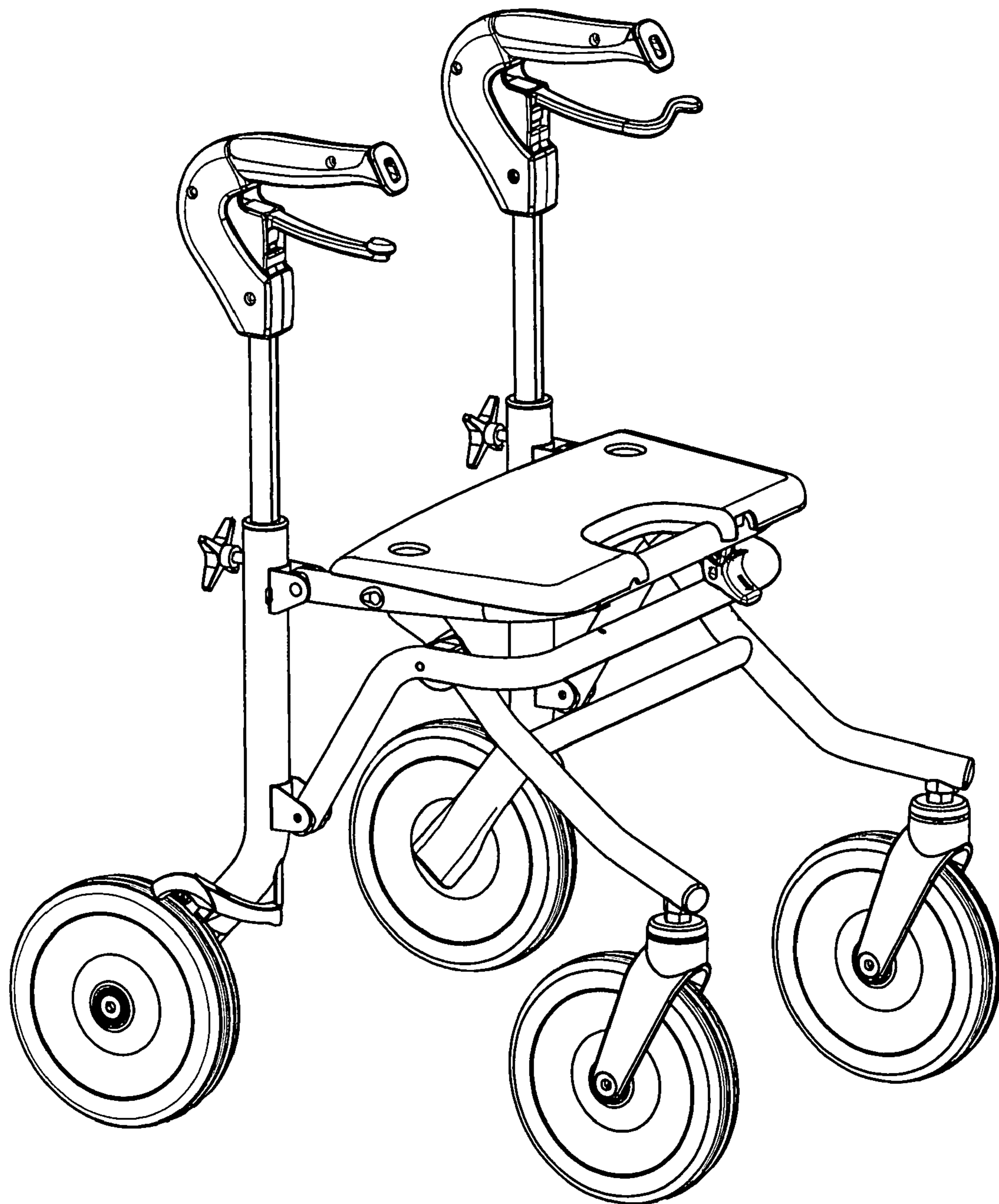


Fig. 1

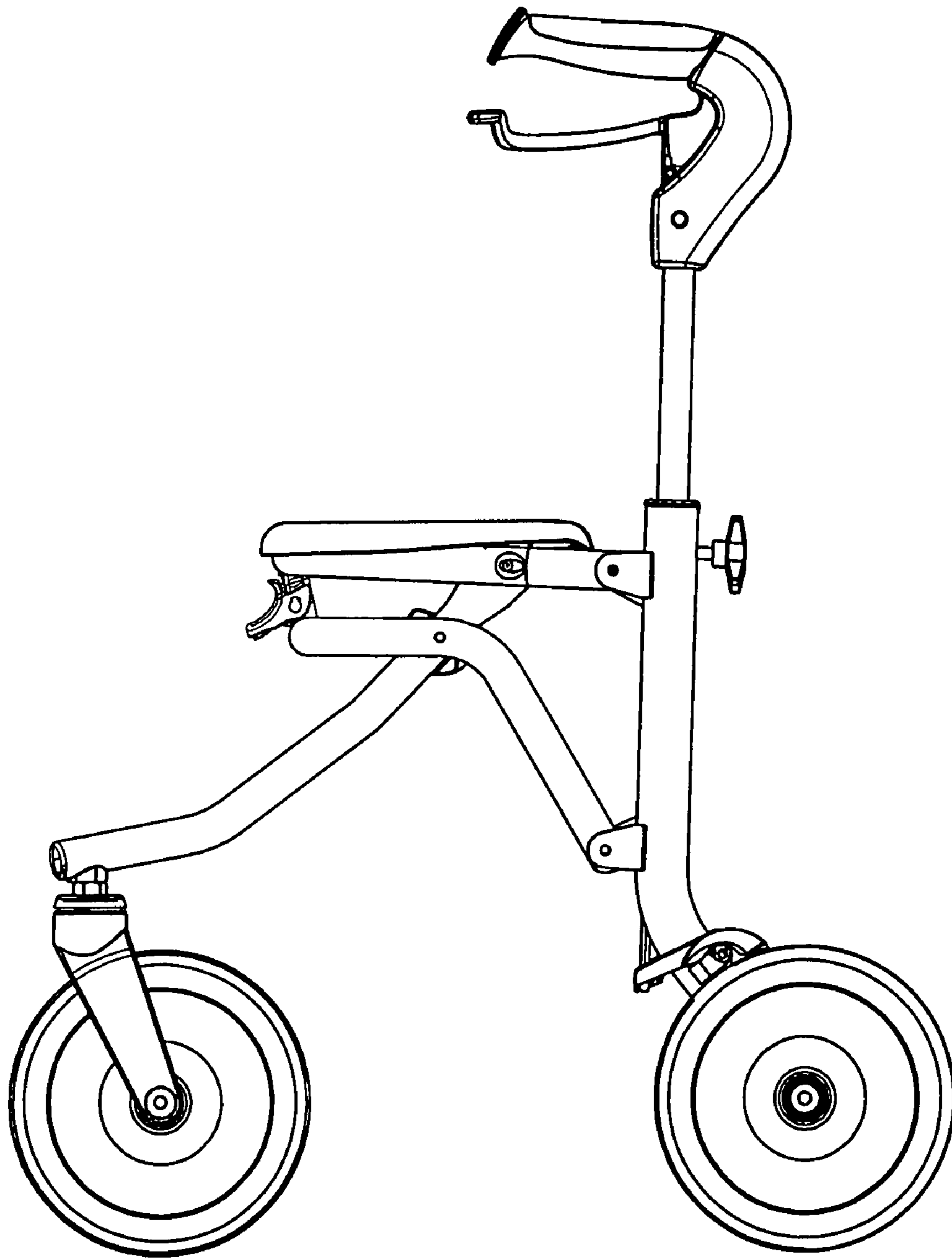


Fig. 2

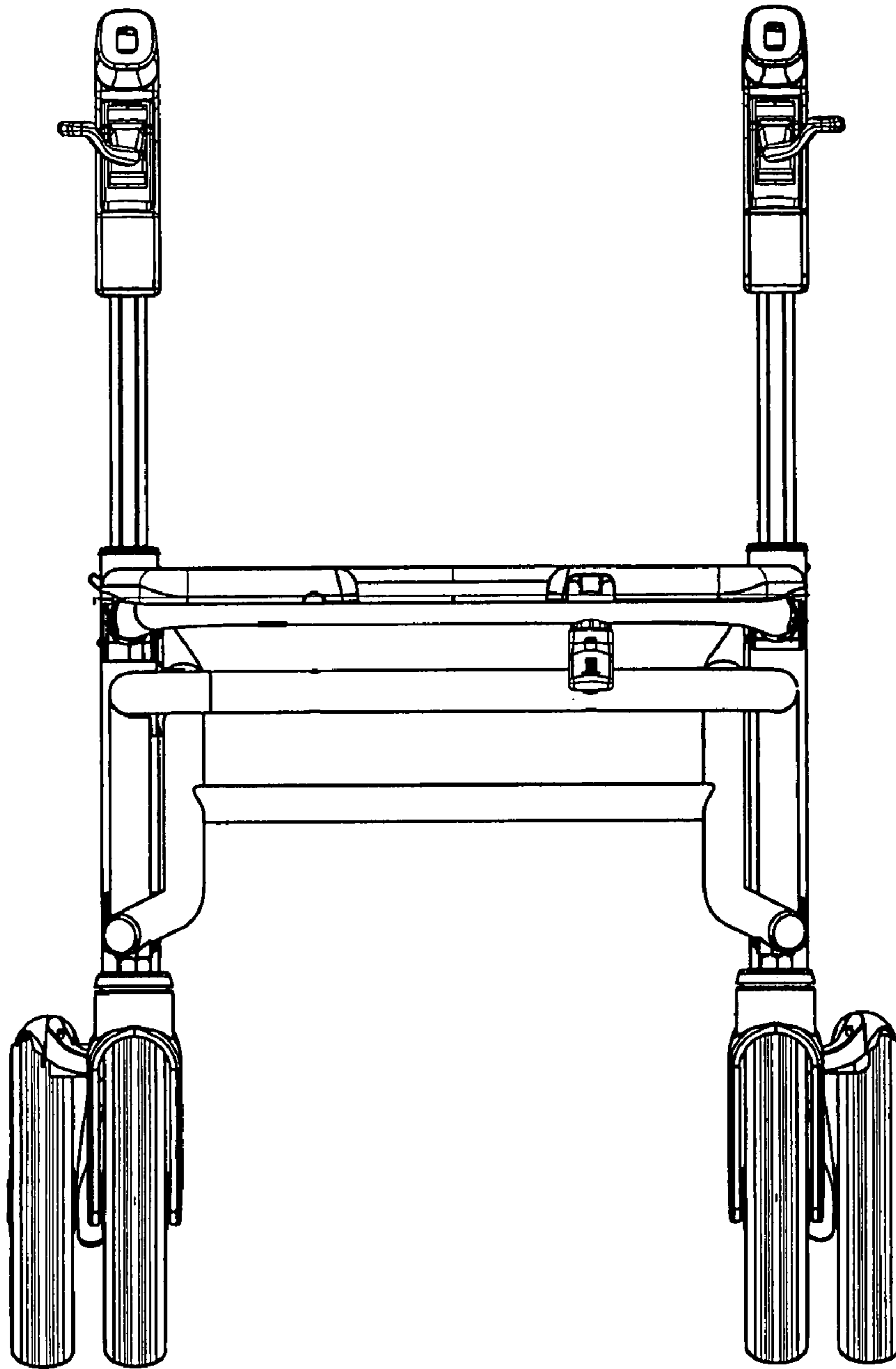


Fig. 3

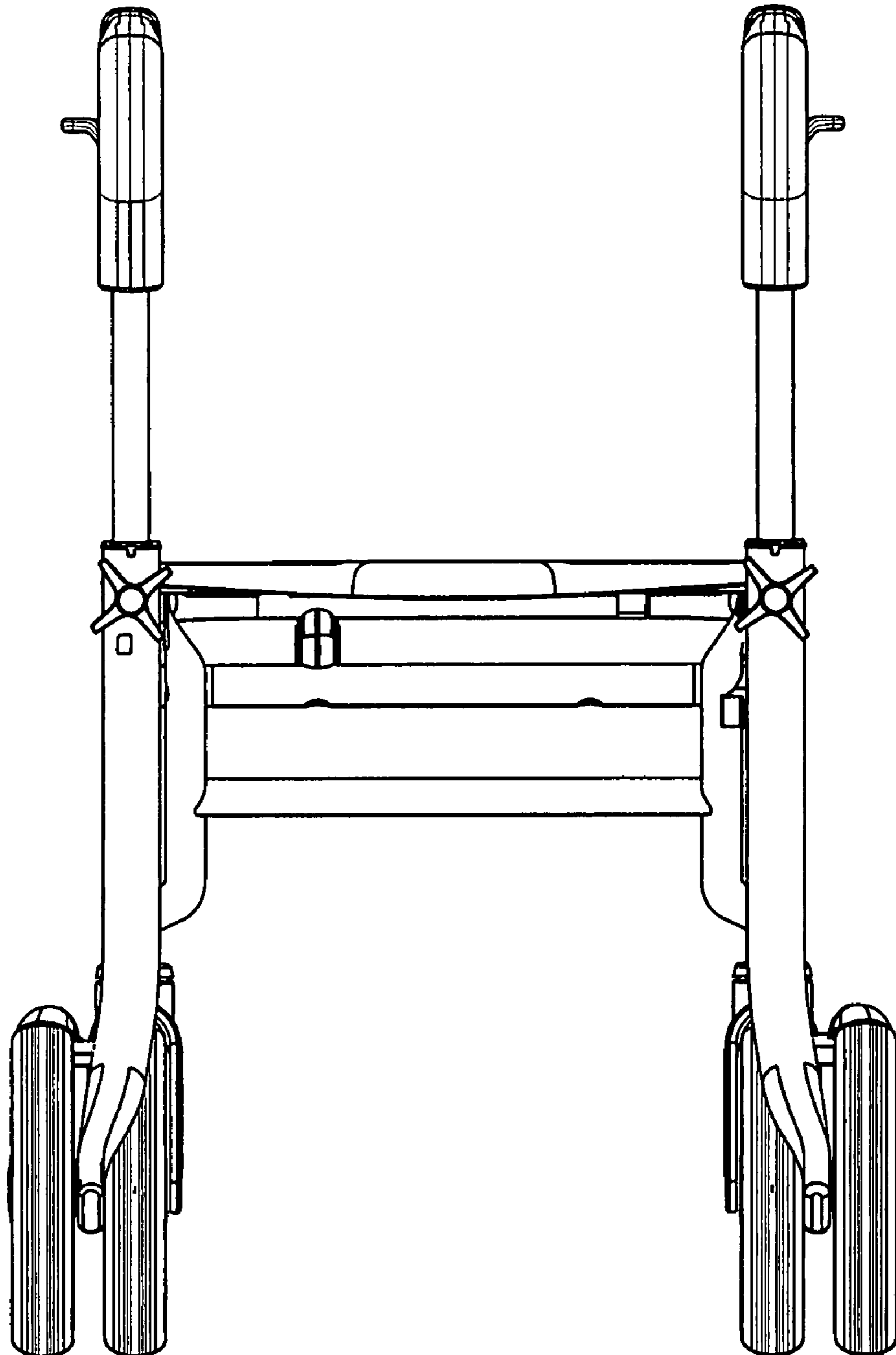


Fig. 4

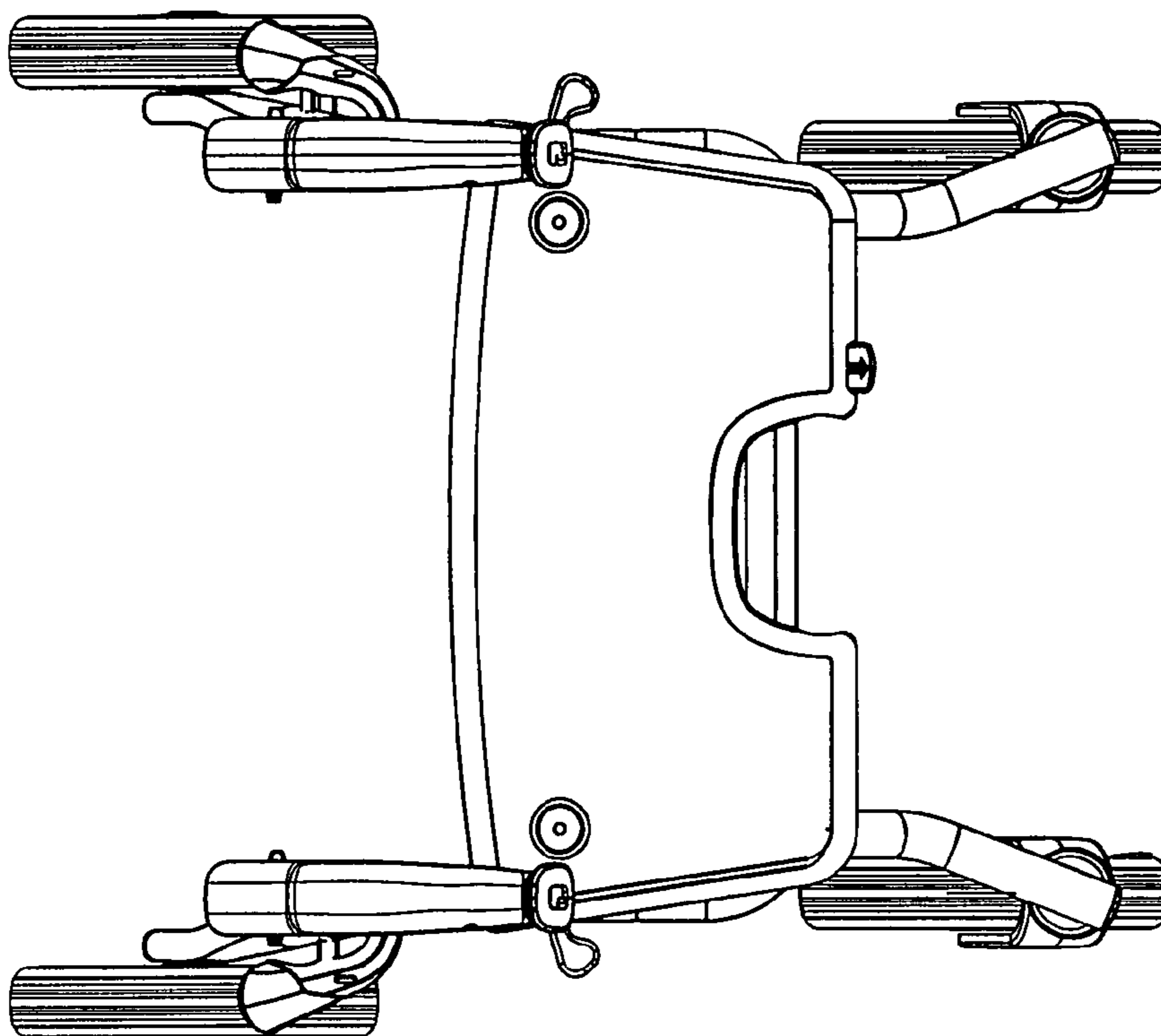


Fig. 5

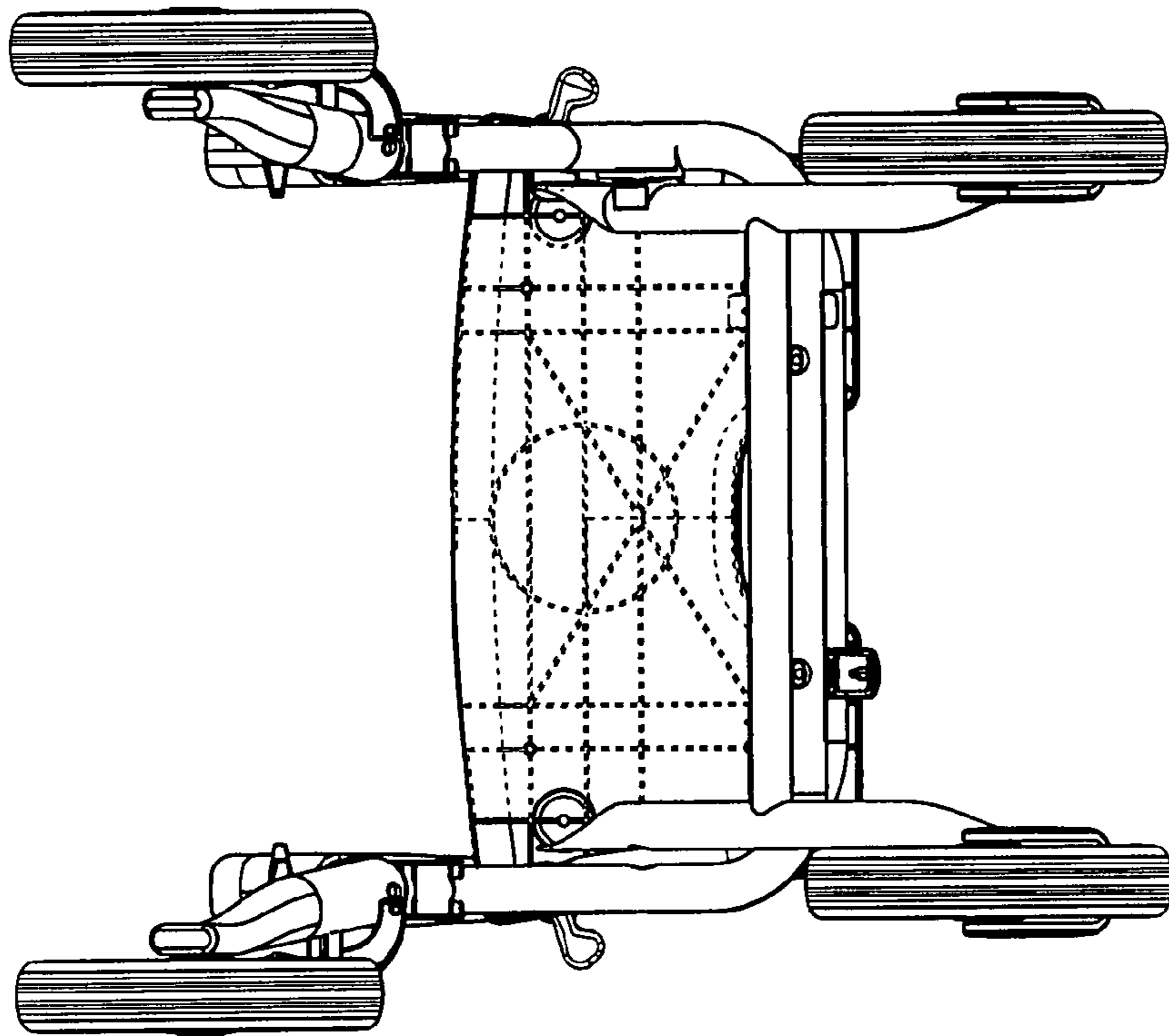


Fig. 6

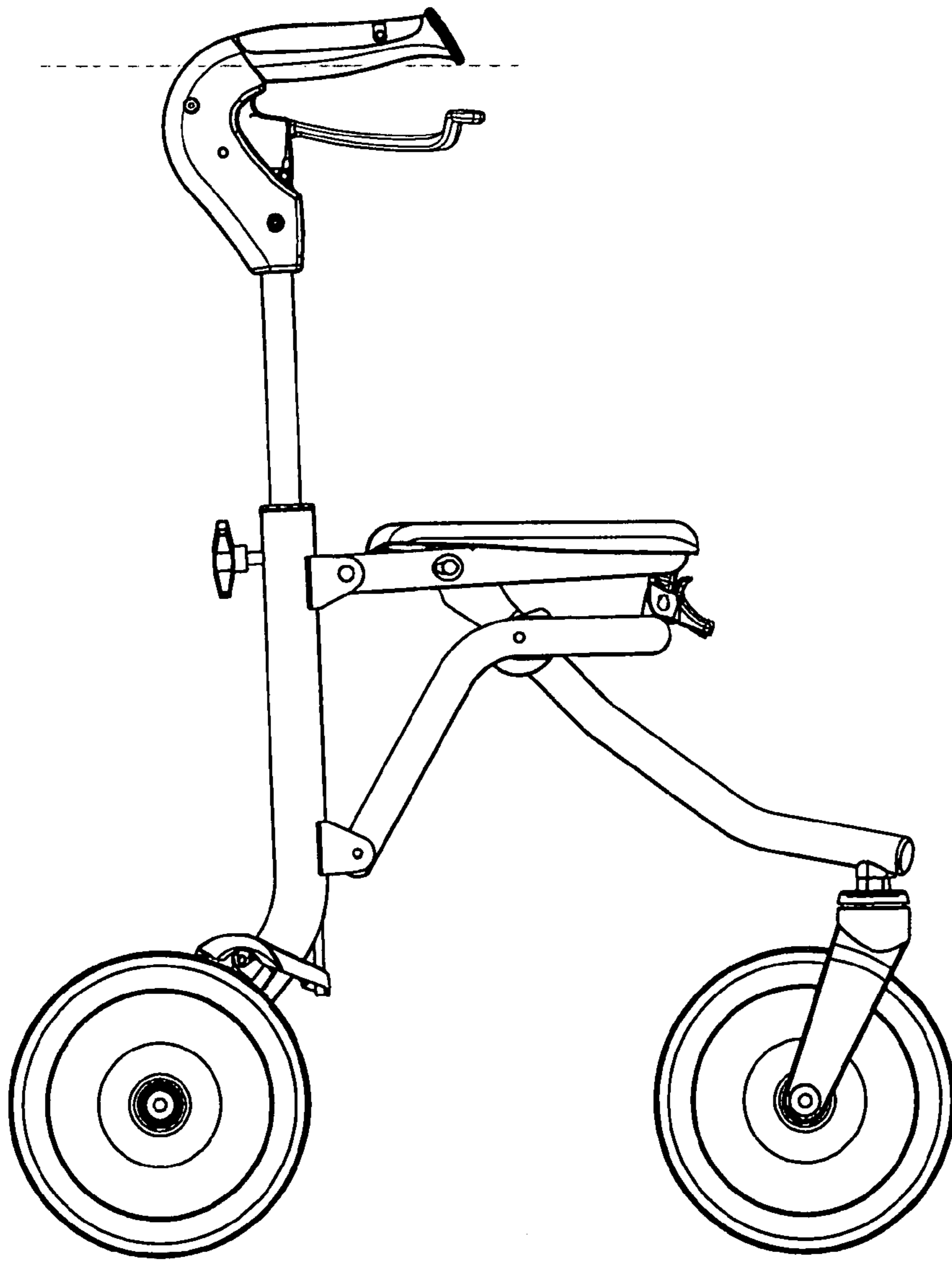


Fig. 7

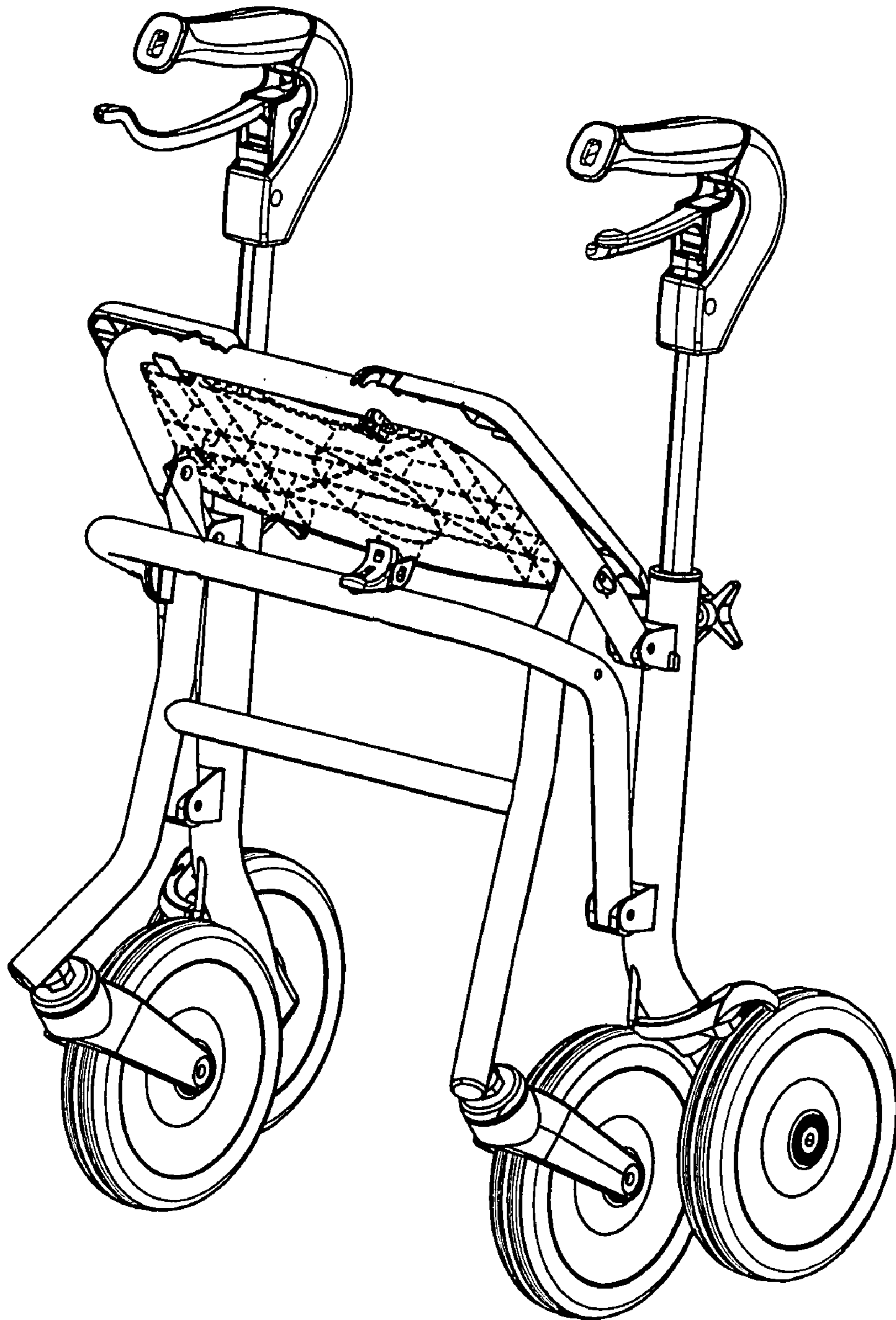


Fig. 8

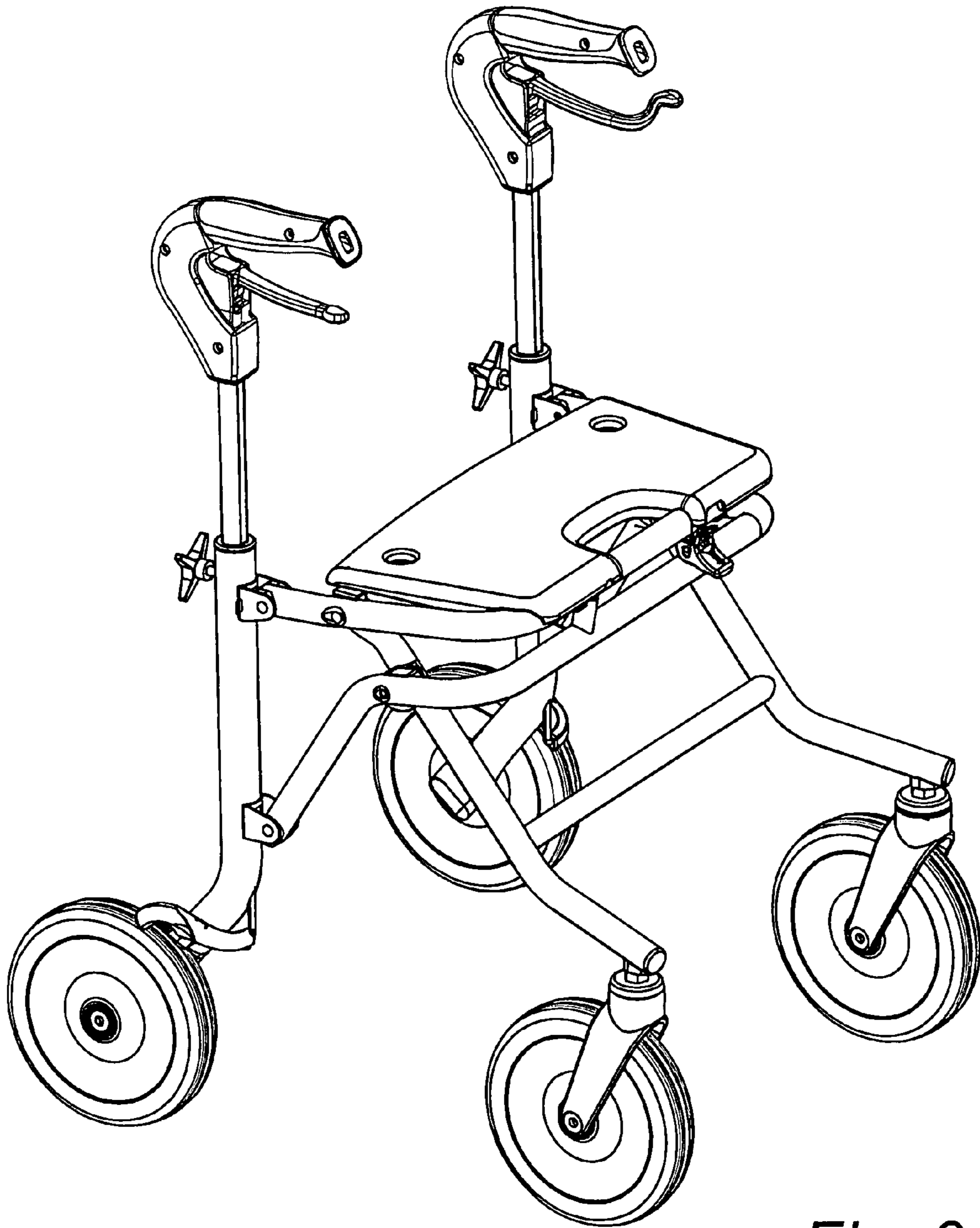


Fig. 9

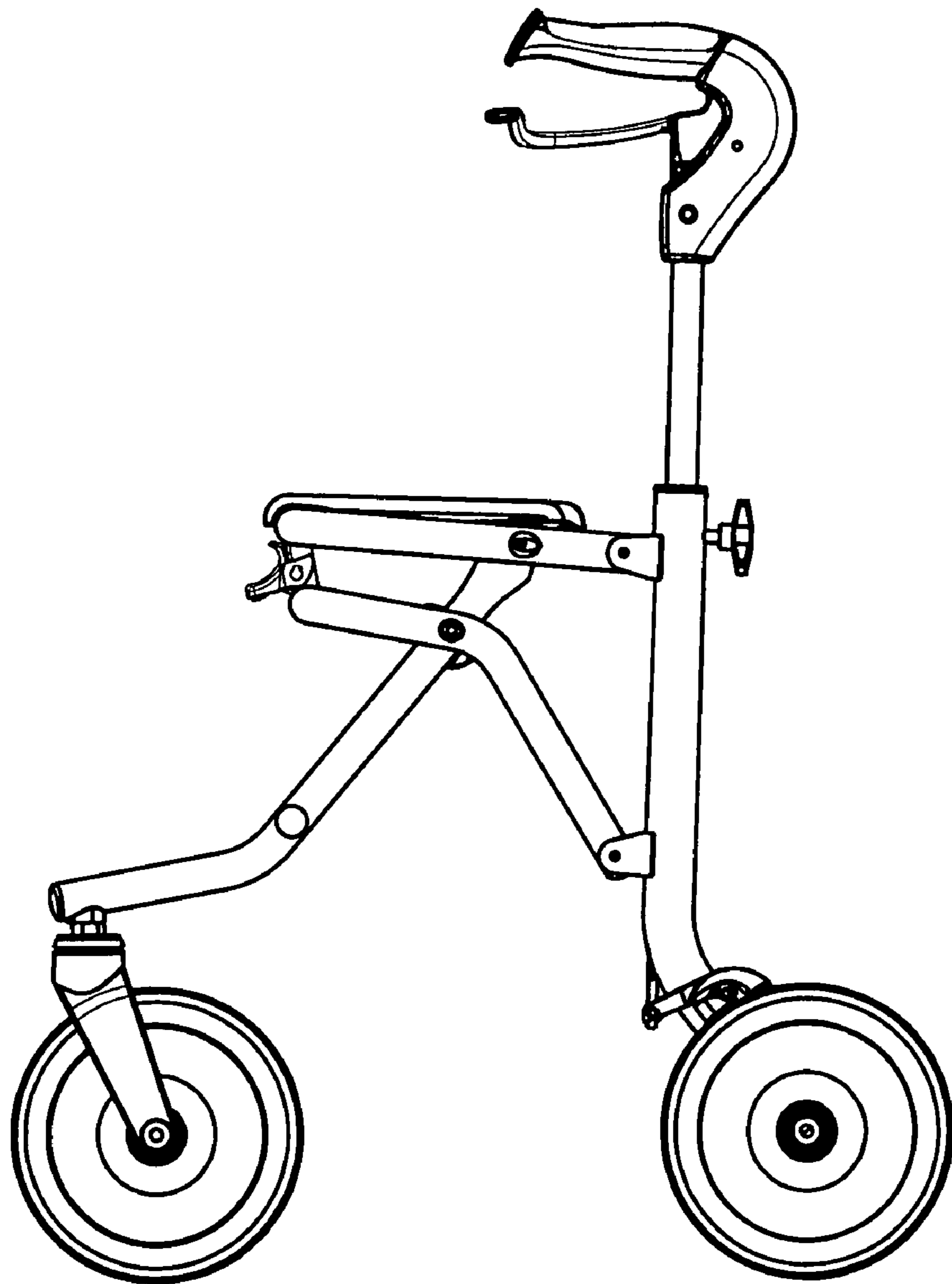


Fig. 10

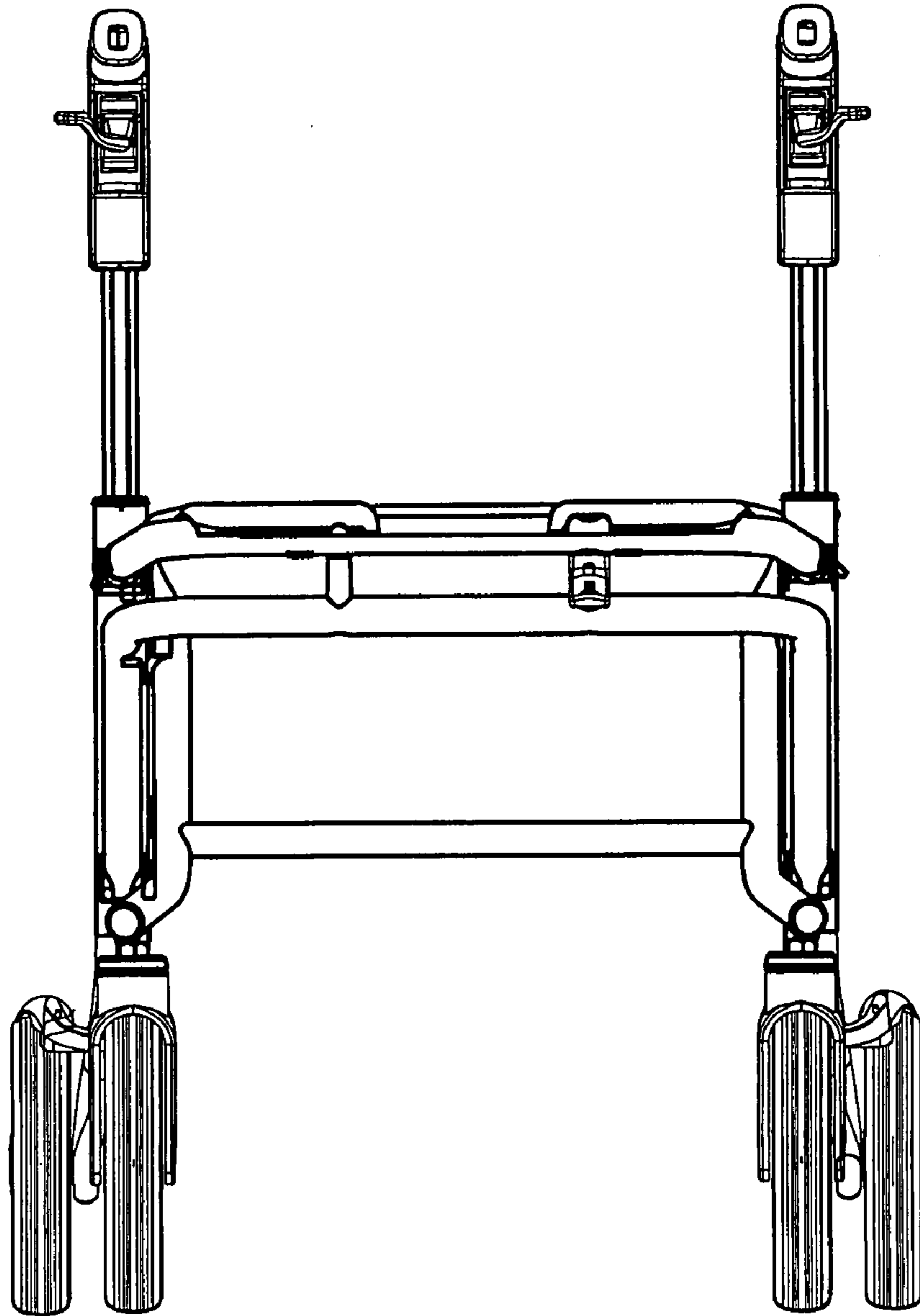


Fig. 11

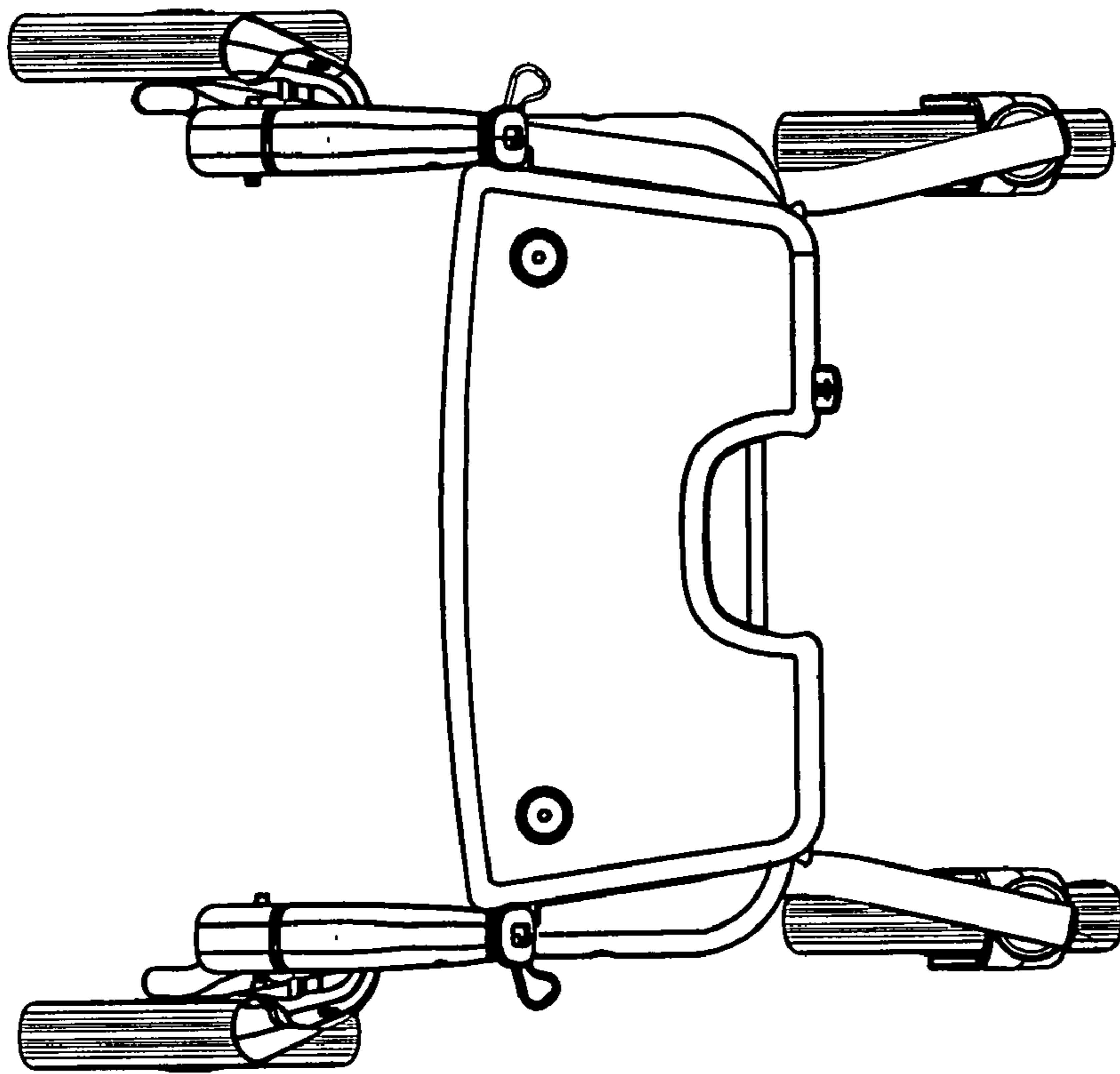


Fig. 12

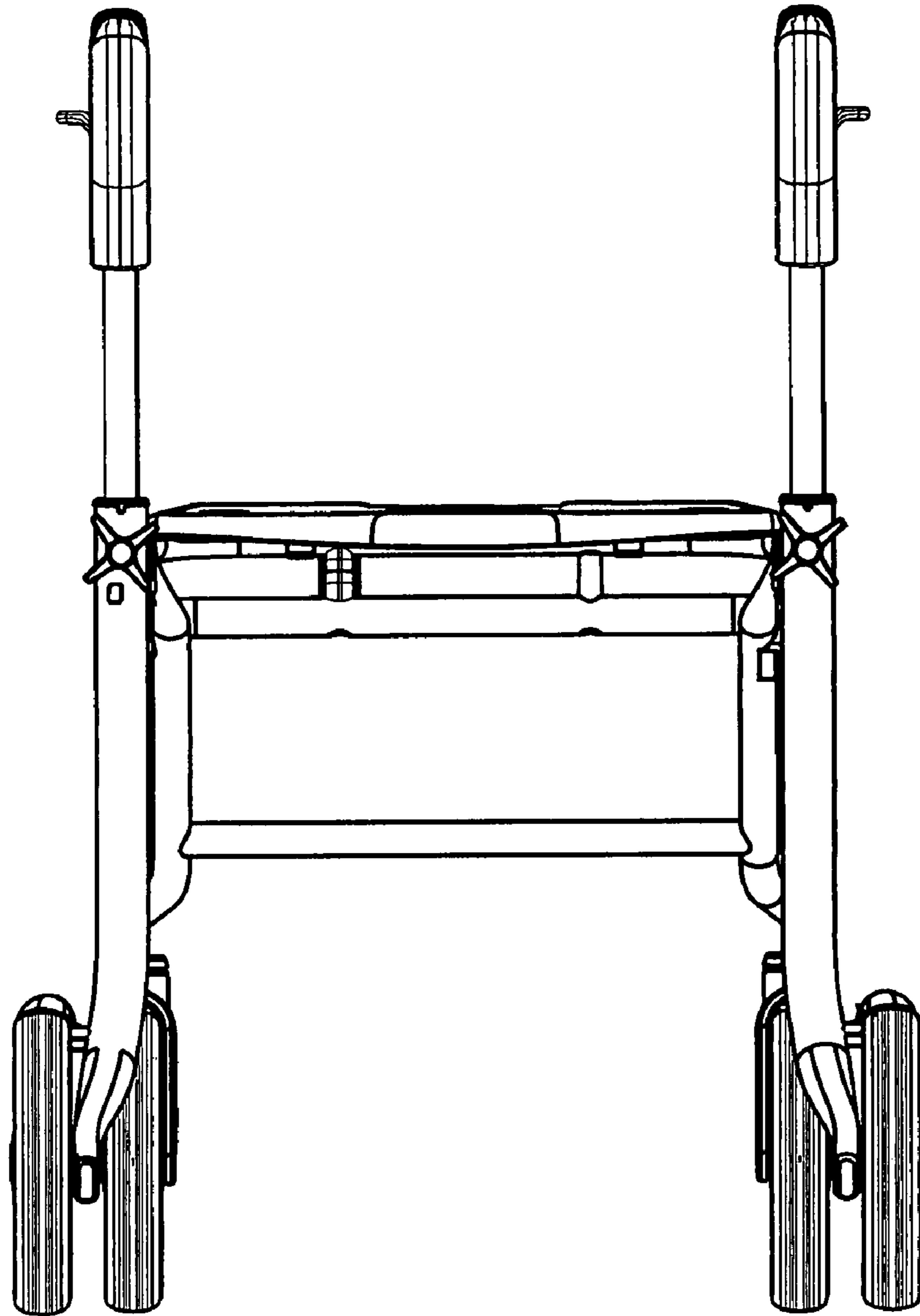


Fig. 13

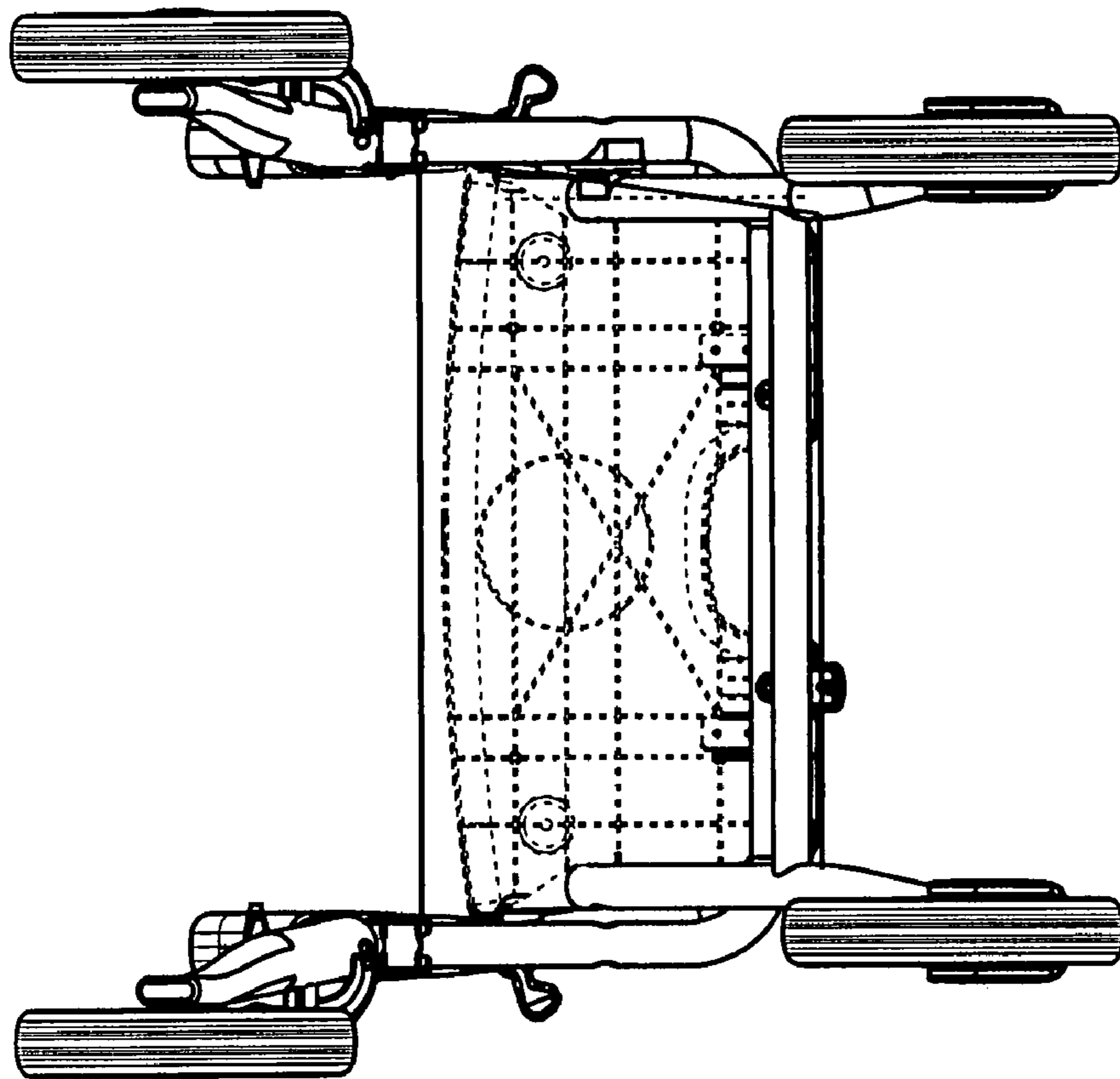


Fig. 14

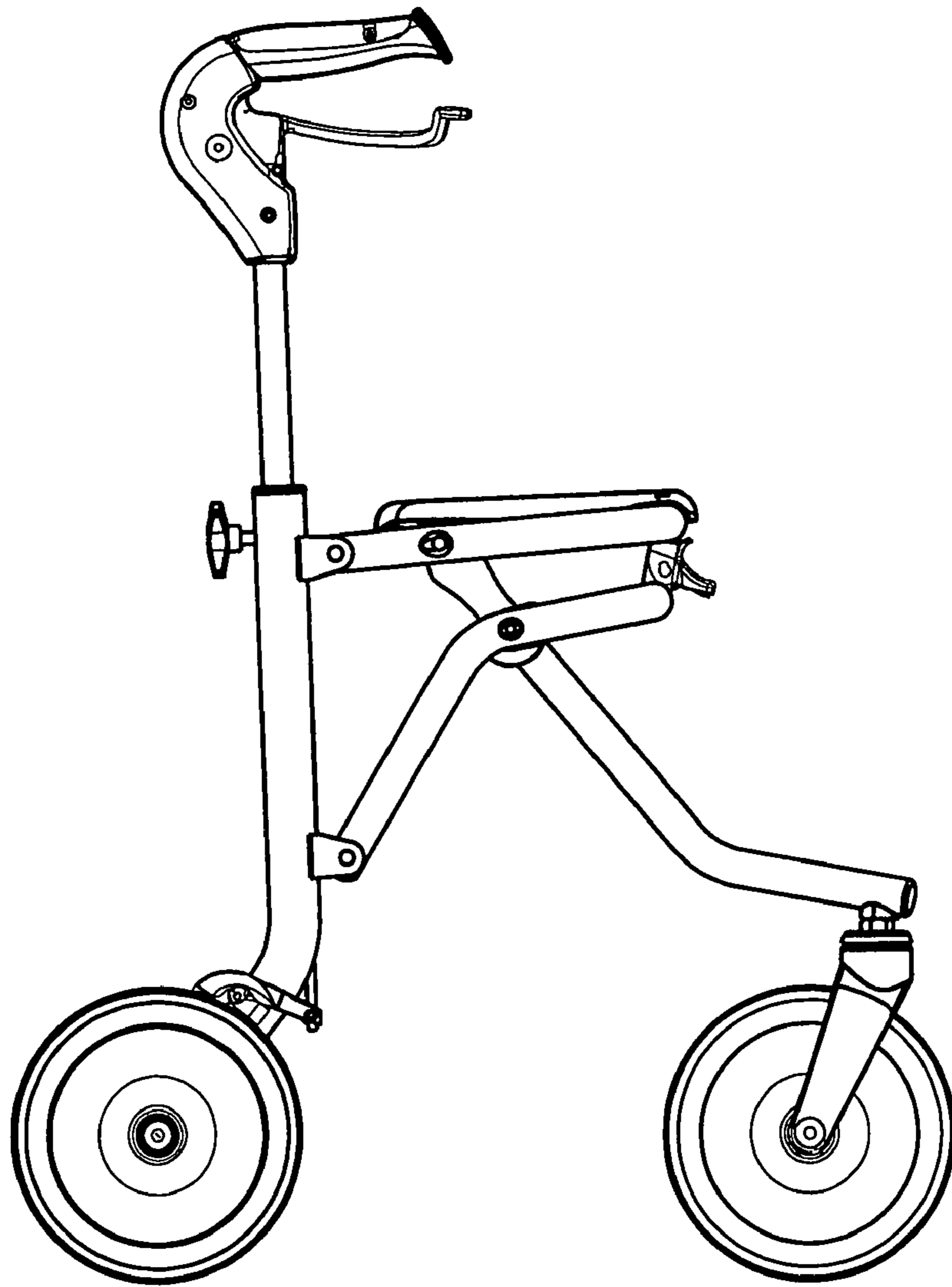


Fig. 15

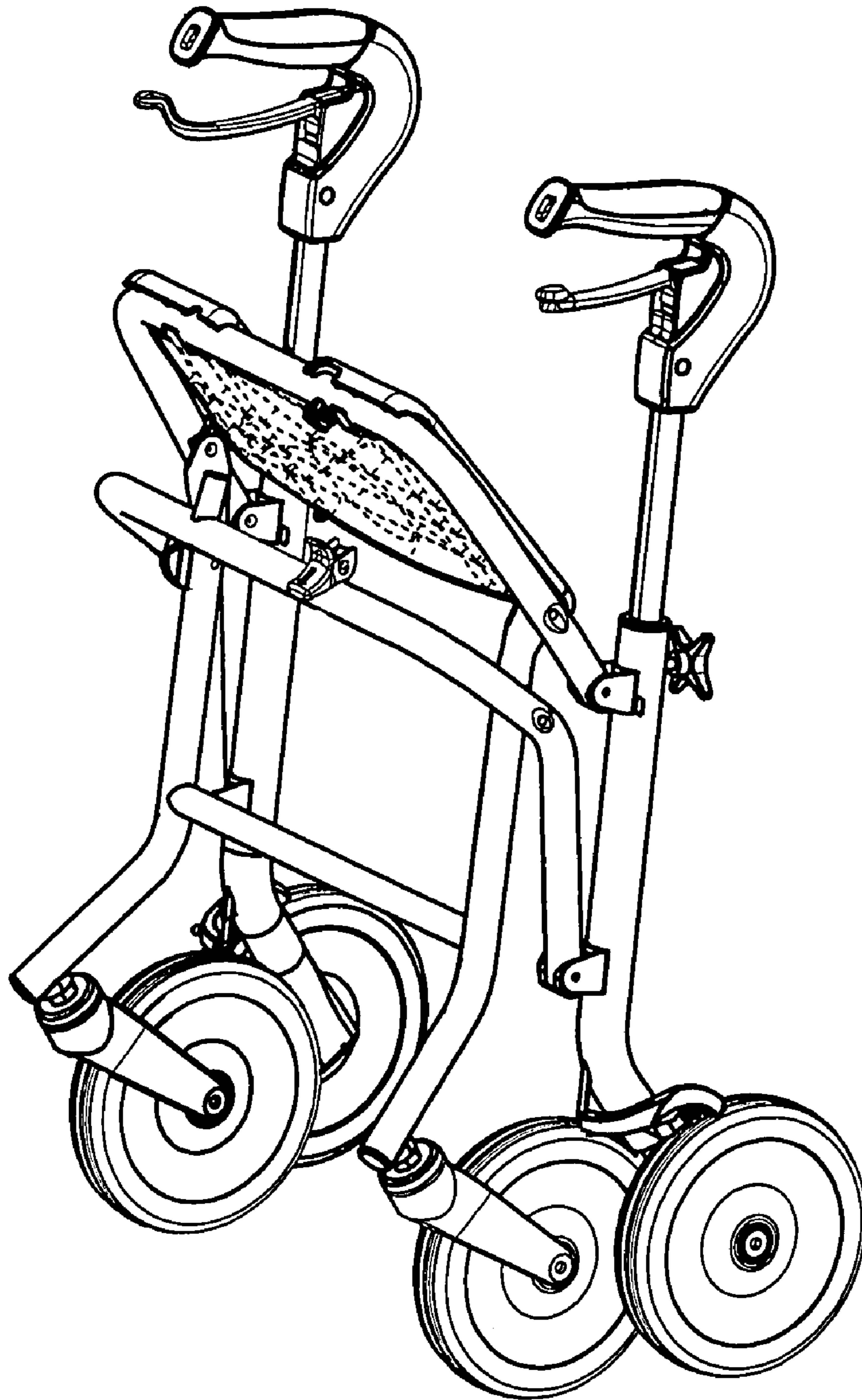


Fig. 16

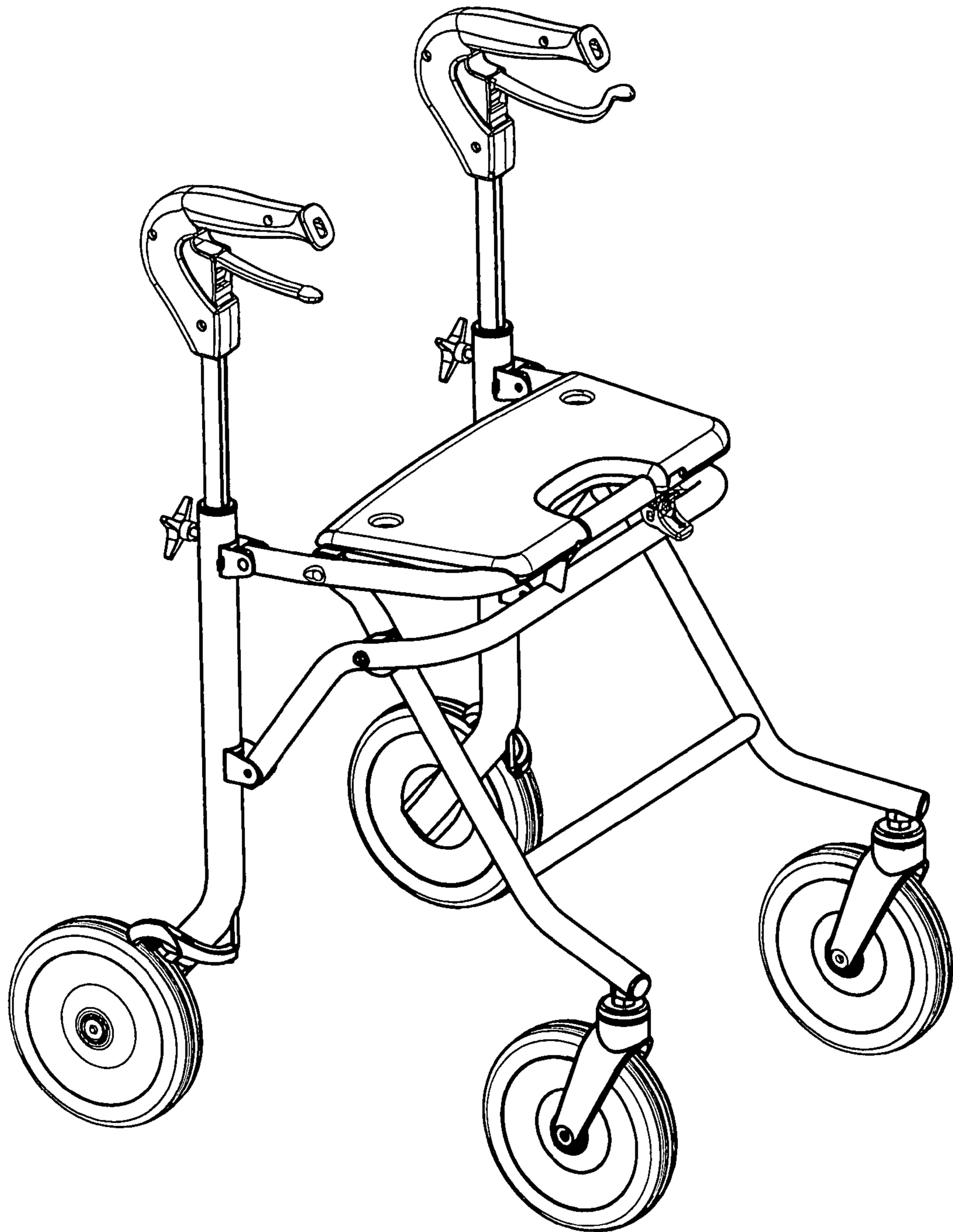


Fig. 17

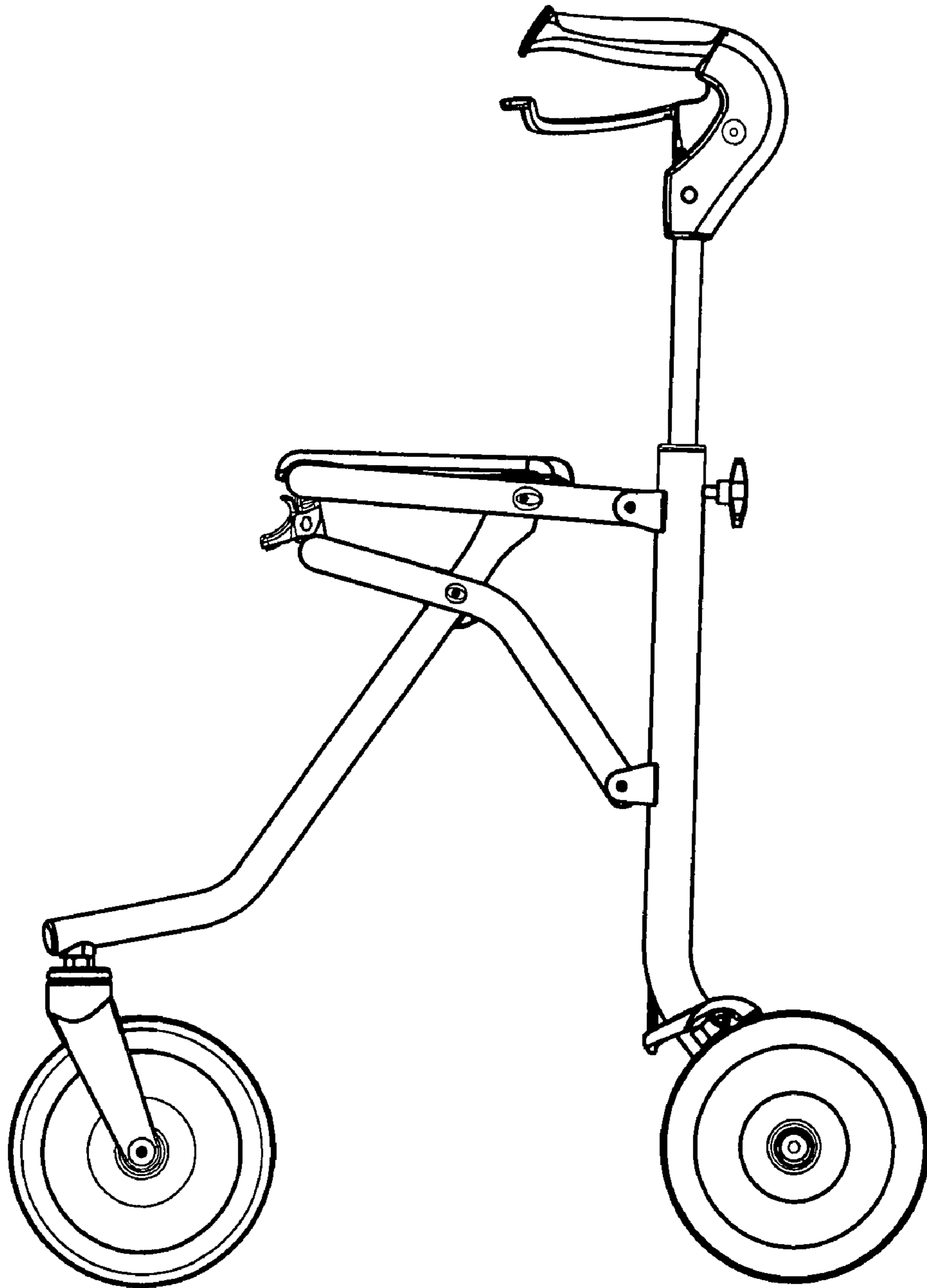


Fig. 18

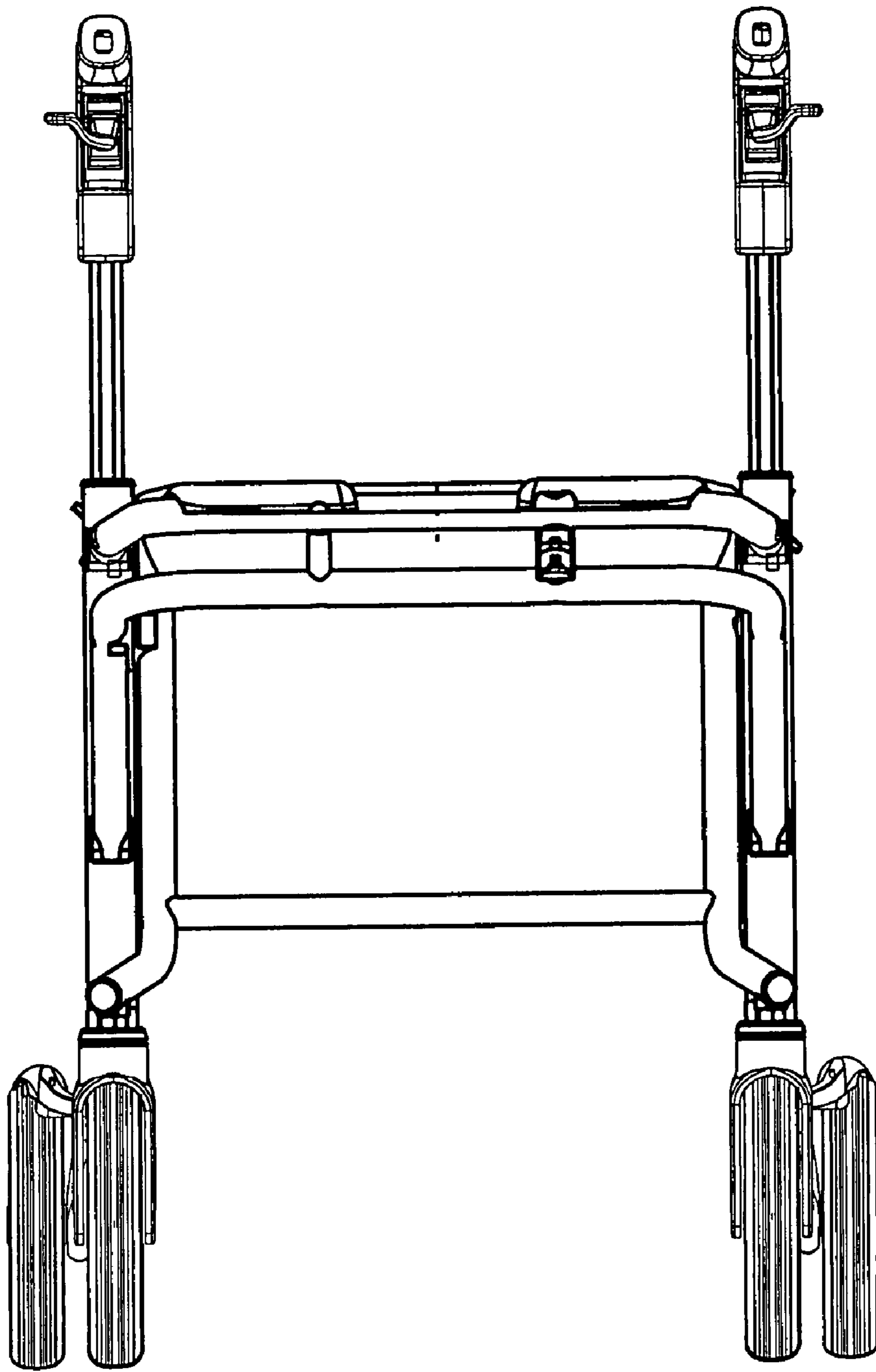


Fig. 19

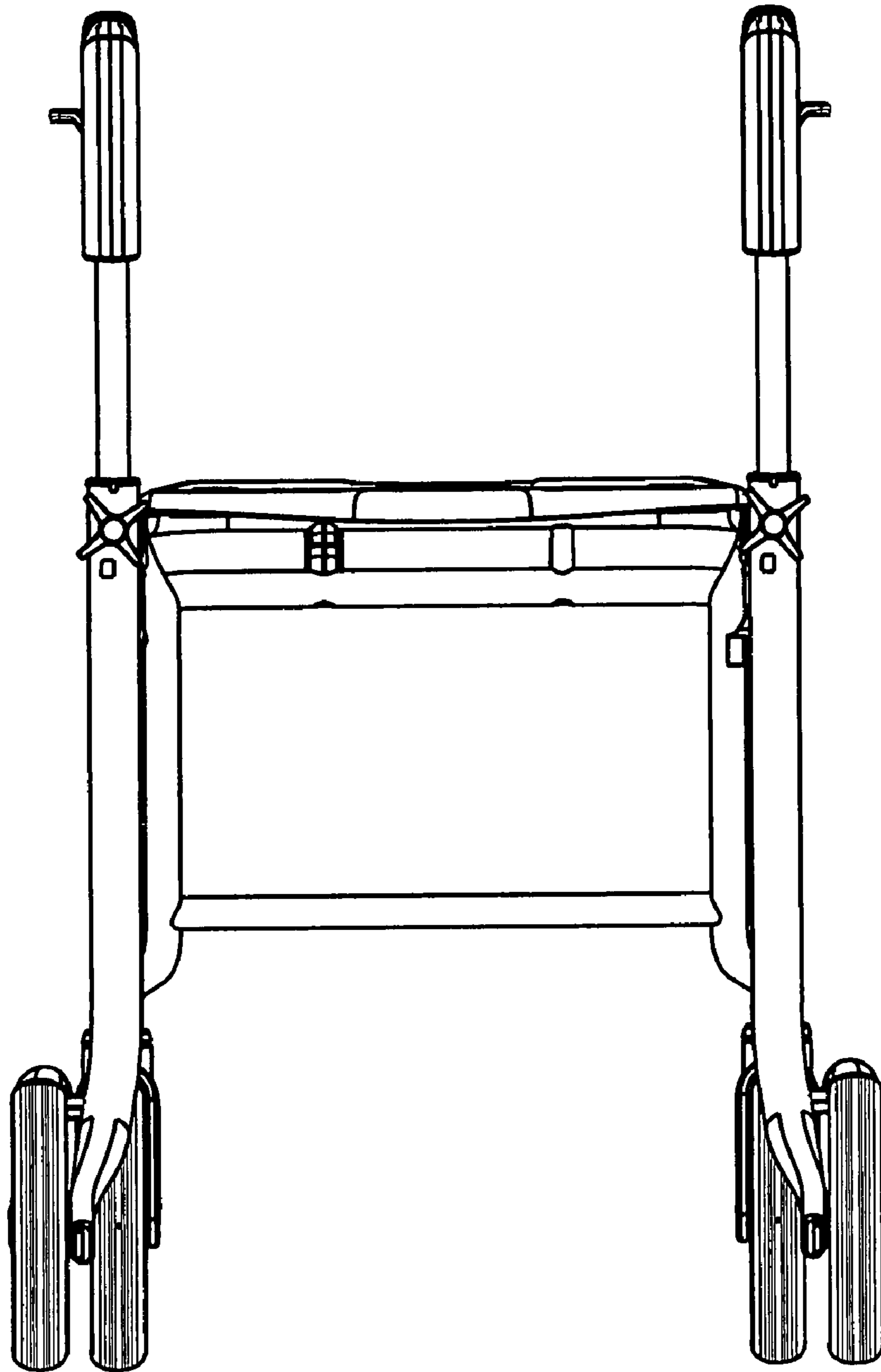


Fig. 20

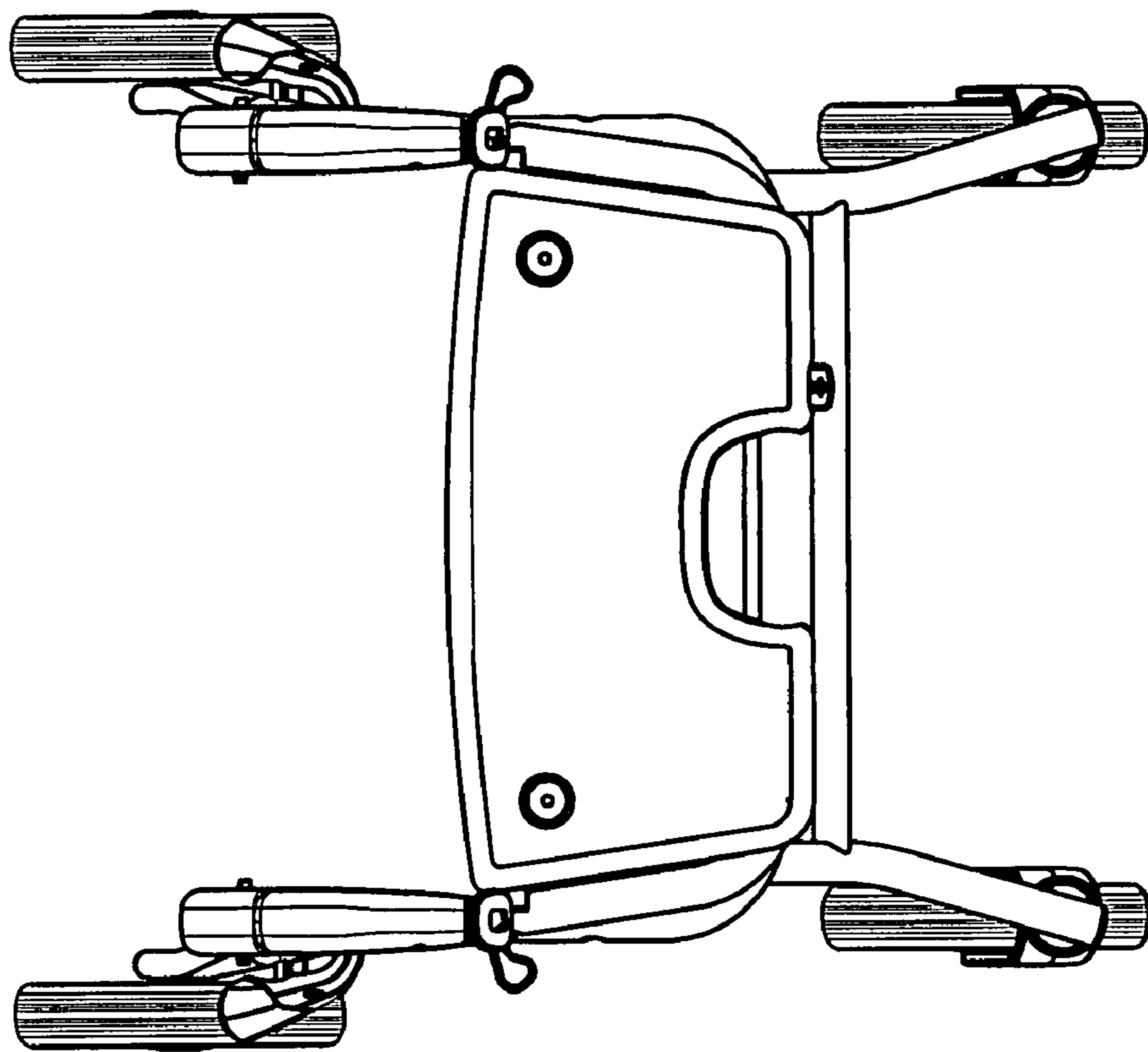


Fig. 21

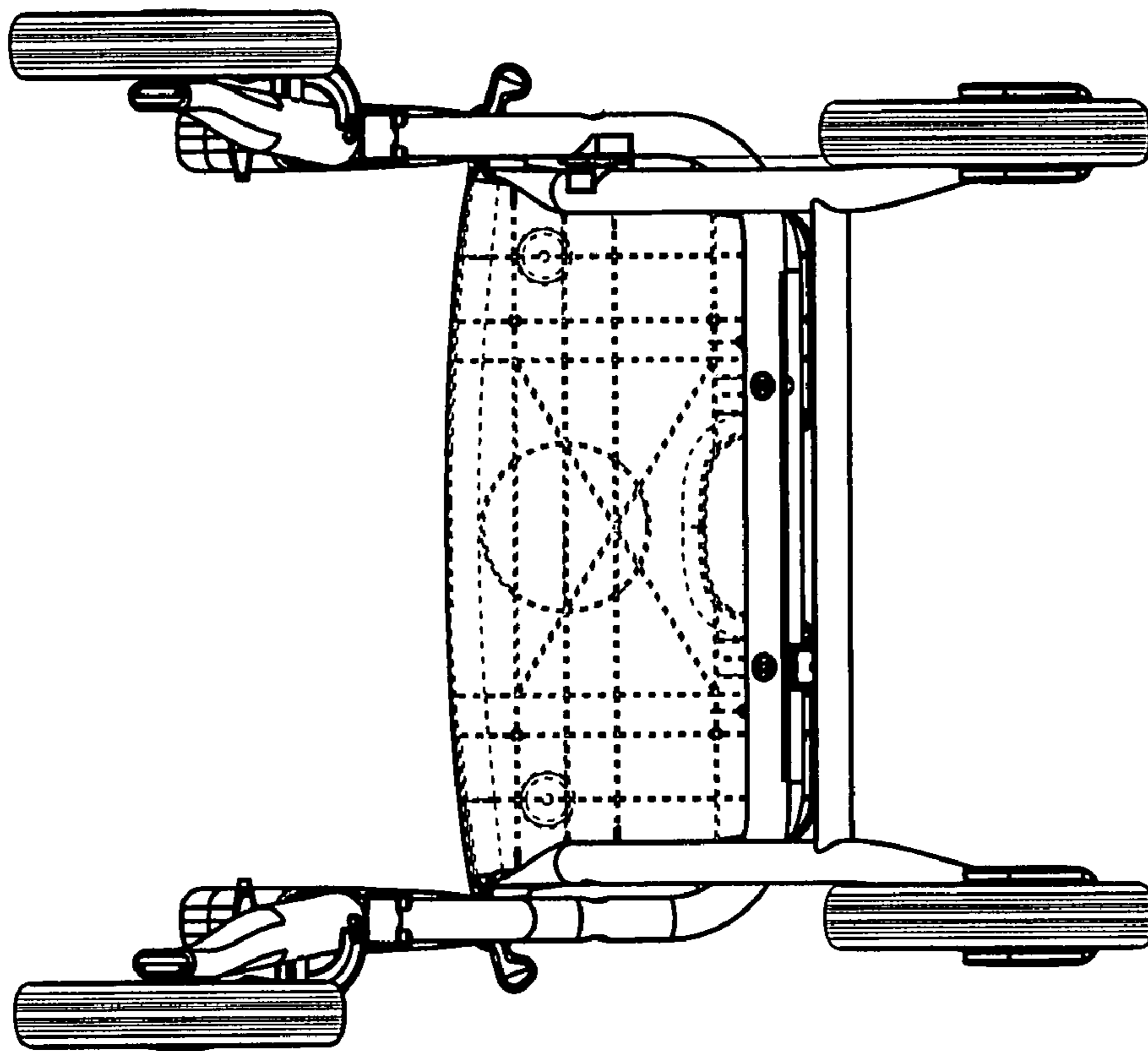


Fig. 22

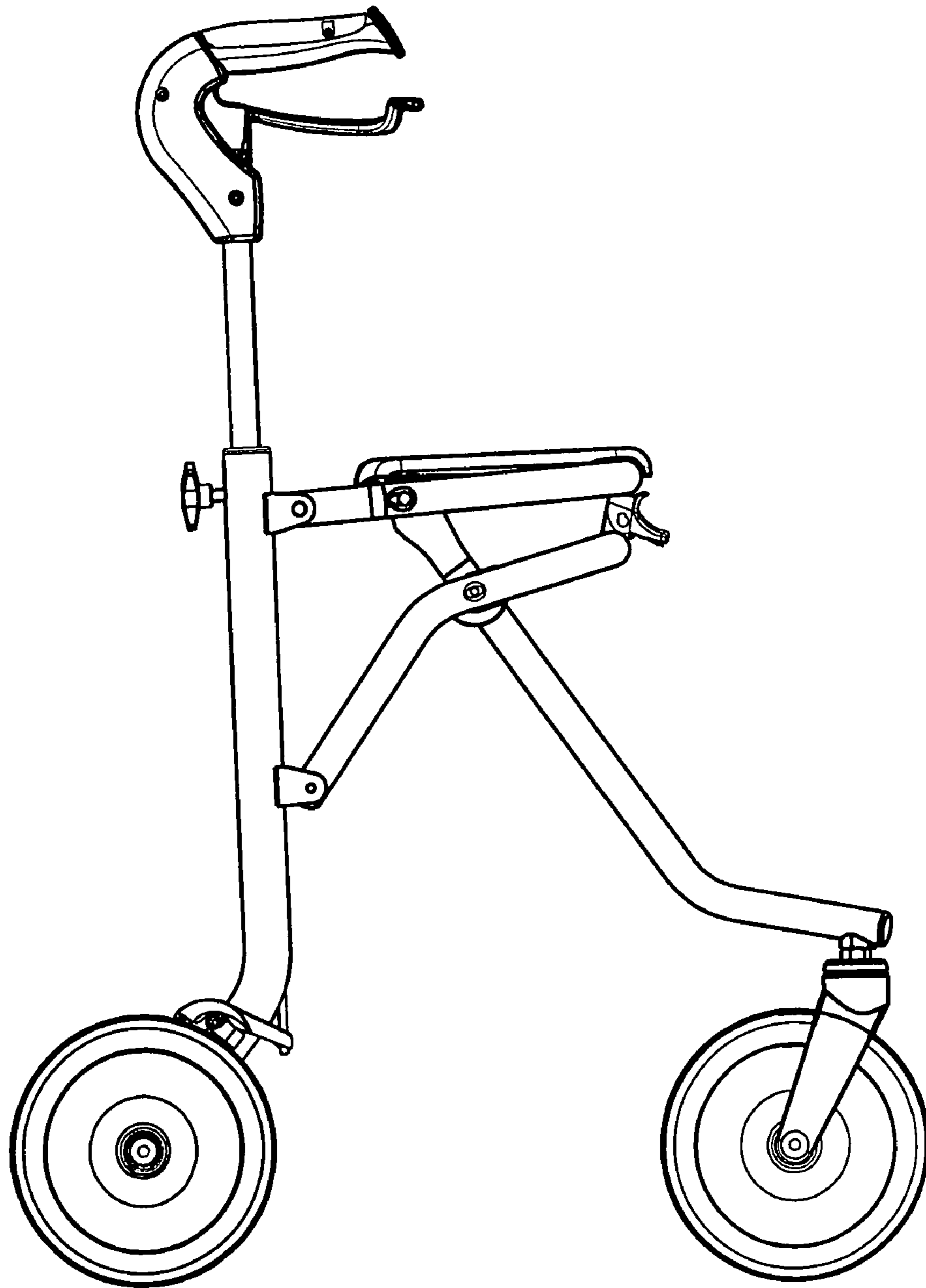


Fig. 23

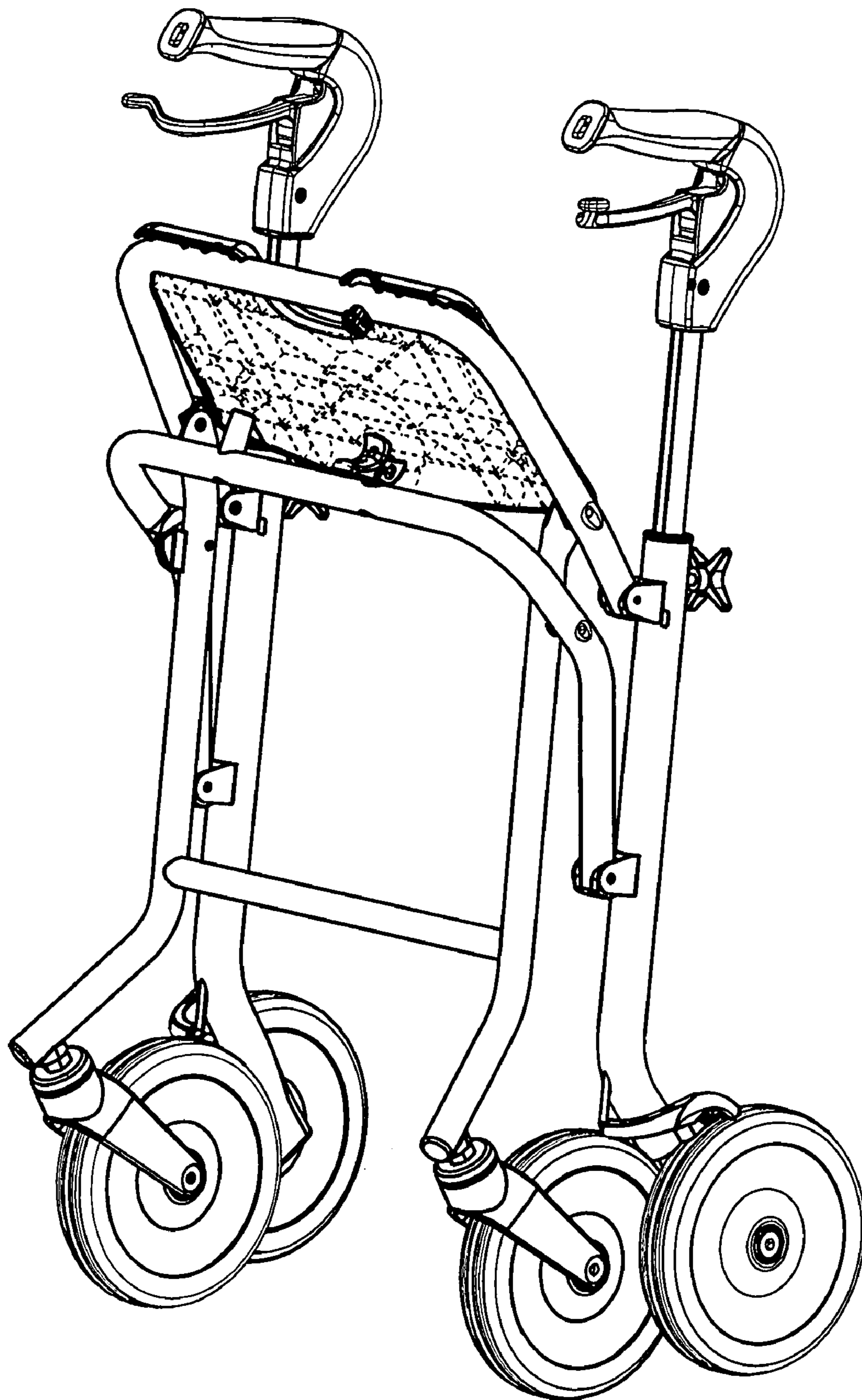


Fig. 24