



US00D560561S

(12) **United States Design Patent**
Garcia

(10) **Patent No.:** **US D560,561 S**
(45) **Date of Patent:** **** Jan. 29, 2008**

(54) **MOTORCYCLE FRAME**

D531,936 S * 11/2006 Ito et al. D12/110

(75) Inventor: **Keith Garcia**, Hanford, CA (US)

* cited by examiner

(73) Assignee: **Big Bear American Made Choppers, Inc.**, Big Bear, CA (US)

Primary Examiner—Cathron Brooks

Assistant Examiner—Linda Brooks

(**) Term: **14 Years**

(74) *Attorney, Agent, or Firm*—Christie, Parker & Hale, LLP.

(21) Appl. No.: **29/273,022**

(57) **CLAIM**

(22) Filed: **Feb. 23, 2007**

The ornamental design for a motorcycle frame, as shown and described.

(51) **LOC (8) Cl.** **12-11**

(52) **U.S. Cl.** **D12/110**

(58) **Field of Classification Search** D12/110,
D12/117, 410, 409; 180/219; 280/288.1–288.4,
280/281.1; 224/42.11, 400, 412, 418, 419,
224/425–435

See application file for complete search history.

DESCRIPTION

FIG. 1 is a perspective view showing my new design;

FIG. 2 is a right side view;

FIG. 3 is a left side view;

FIG. 4 is a top view;

FIG. 5 is a front view; and,

FIG. 6 is a rear view.

The broken lines shown in the drawing form no part of the claimed design.

(56) **References Cited**

U.S. PATENT DOCUMENTS

D171,251 S * 1/1954 Courtney D12/110

3,016,967 A * 1/1962 Rehfeld 180/219

D456,748 S * 5/2002 Keating et al. D12/110

D482,640 S * 11/2003 TaMuRa et al. D12/110

1 Claim, 5 Drawing Sheets

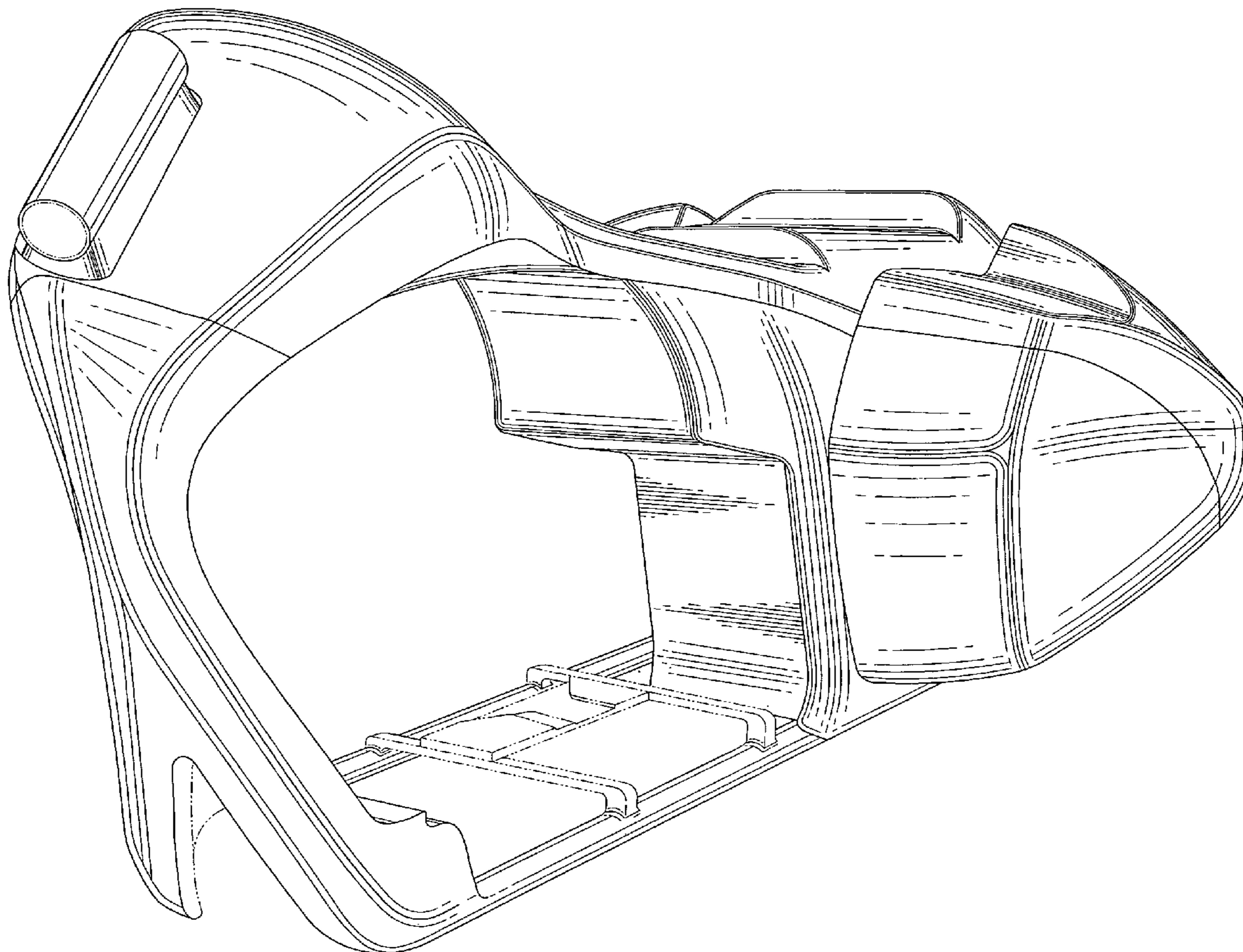


FIG. 1

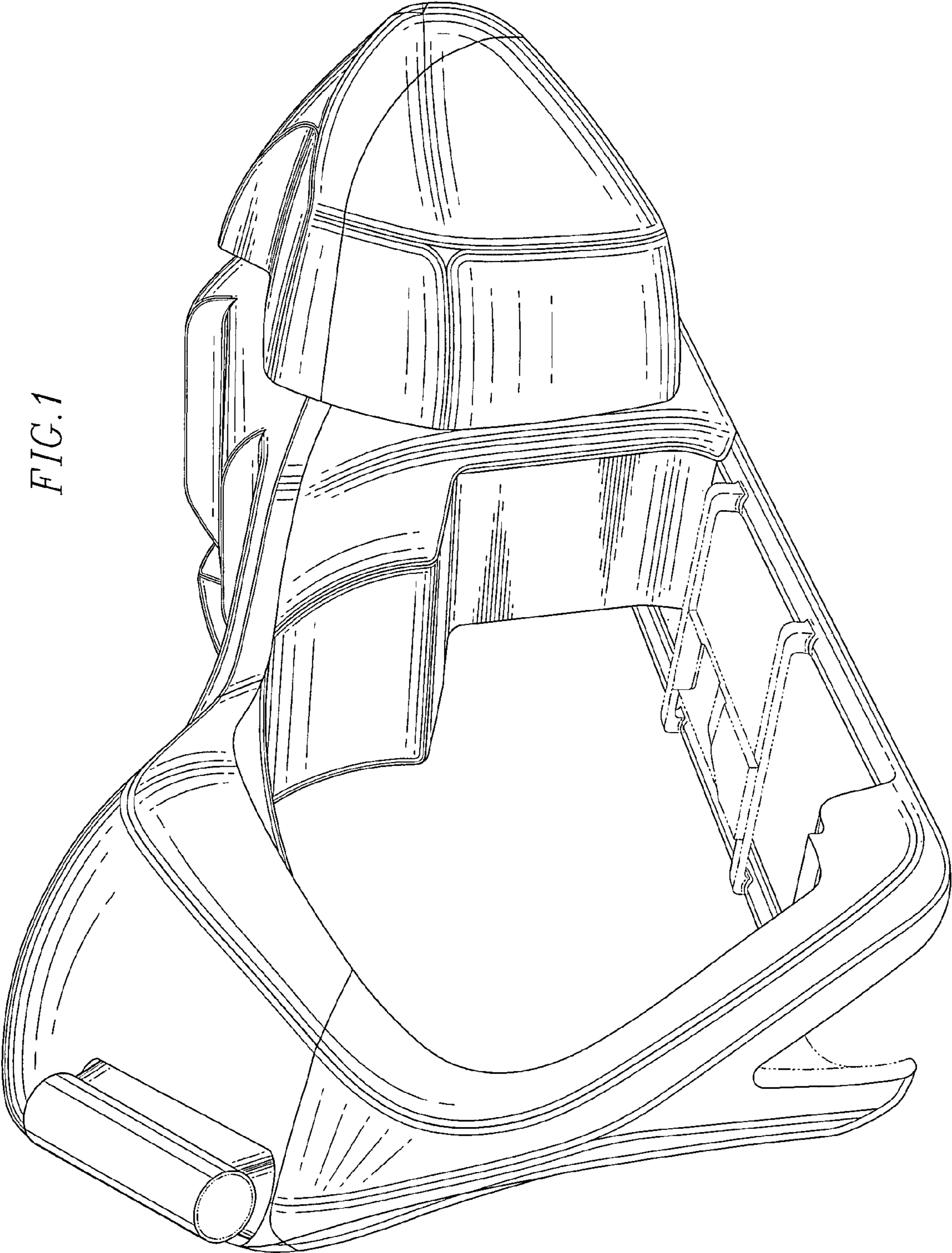


FIG. 2

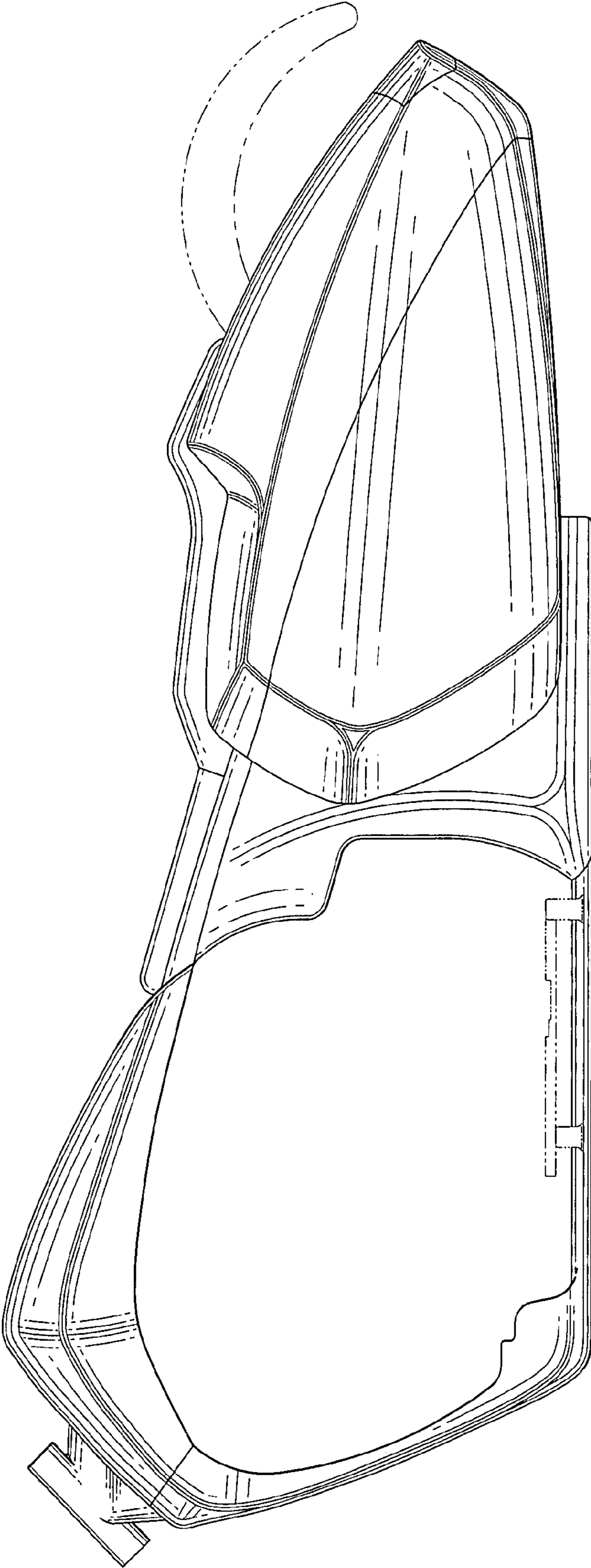


FIG. 3

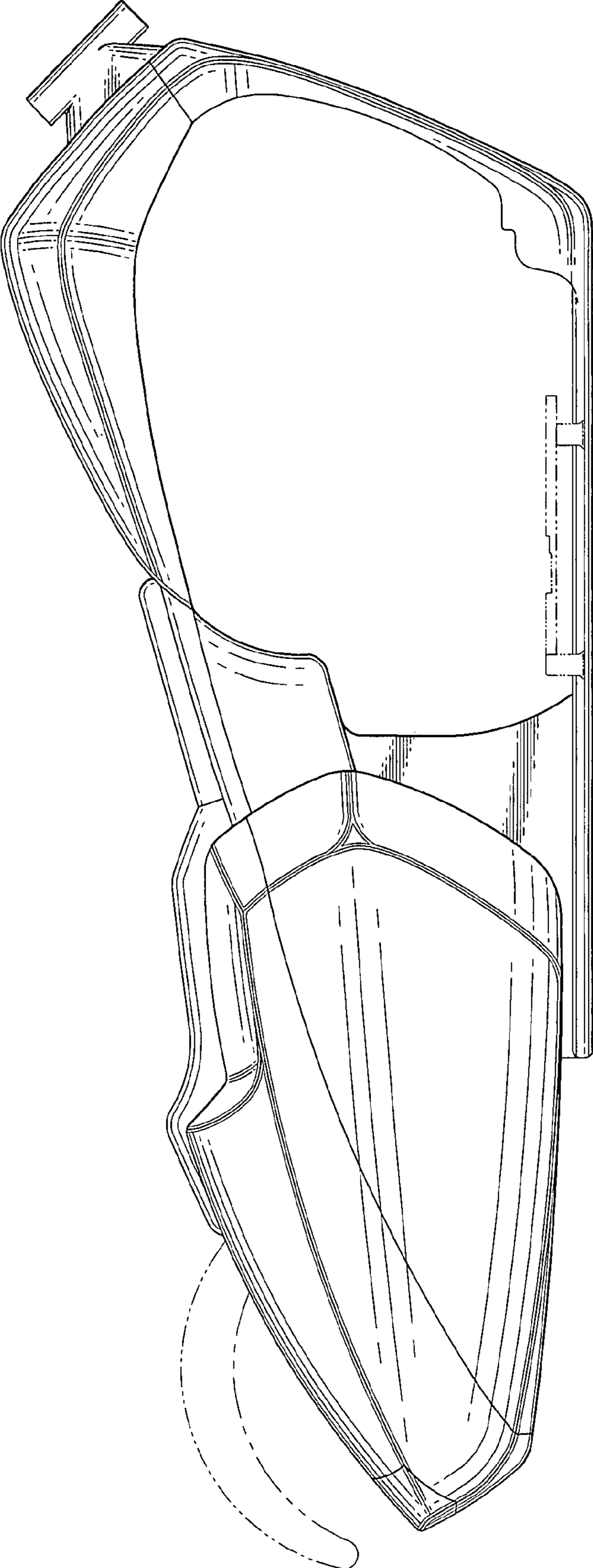


FIG. 4

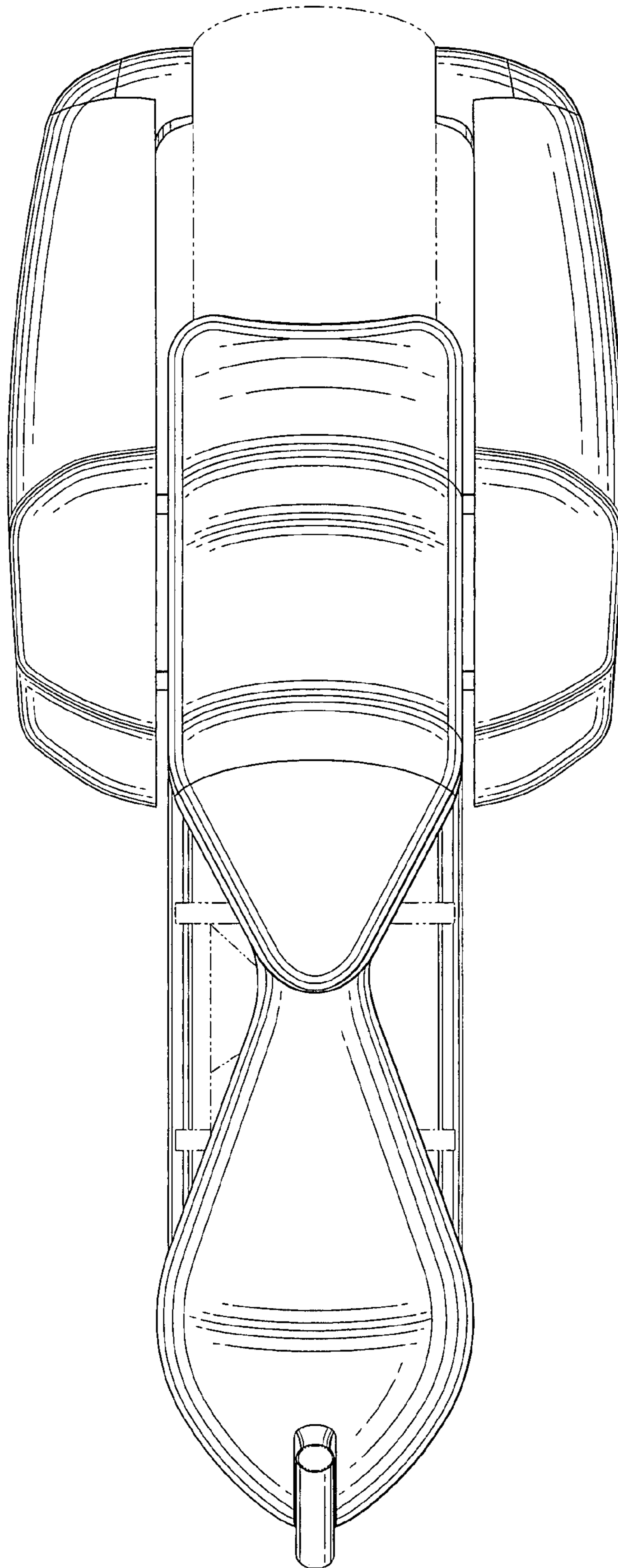


FIG. 6

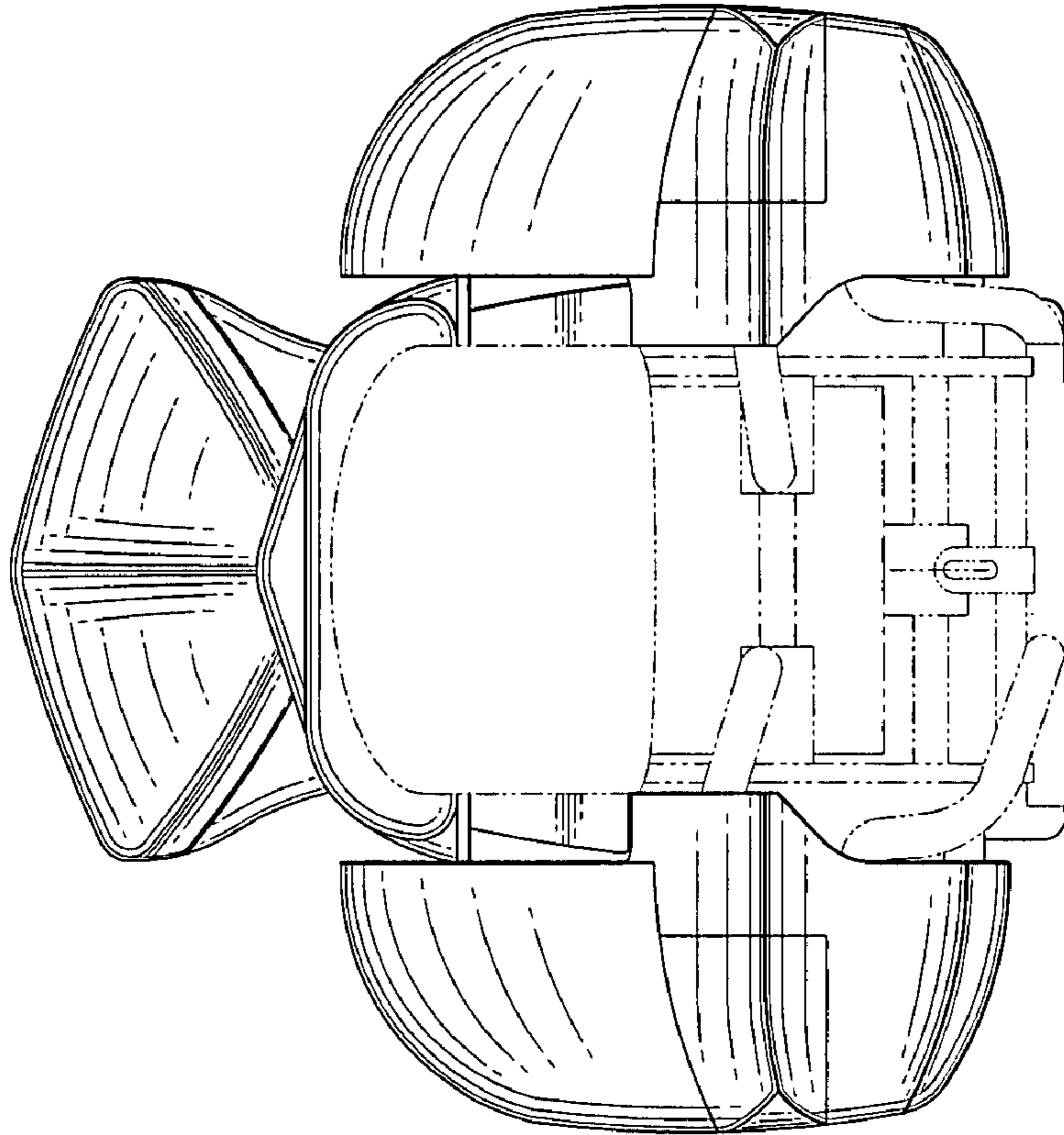


FIG. 5

