



US00D560560S

(12) **United States Design Patent**
Dacsev

(10) **Patent No.:** **US D560,560 S**
(45) **Date of Patent:** **** Jan. 29, 2008**

(54) **UNICYCLE**

(76) Inventor: **Hriszto Atanaszov Dacsev**, Telepes U.
64/A, Budapest (HU) H-1147

(**) Term: **14 Years**

(21) Appl. No.: **29/263,249**

(22) Filed: **Jul. 20, 2006**

(30) **Foreign Application Priority Data**

Mar. 8, 2006 (EM) 0491576-0001
Mar. 8, 2006 (EM) 0491576-0002

(51) **LOC (8) Cl.** **12-11**

(52) **U.S. Cl.** **D12/107**

(58) **Field of Classification Search** D12/107,
D12/111; 280/205, 47.32, 78
See application file for complete search history.

(56) **References Cited**

U.S. PATENT DOCUMENTS

3,083,036 A * 3/1963 Cornell, III et al. 280/205
D273,287 S * 4/1984 Evans D12/107
D289,985 S * 5/1987 Davenport D12/107
5,868,413 A * 2/1999 Cabrera 280/205

FOREIGN PATENT DOCUMENTS

VN 3-2003-00013 6/2003

* cited by examiner

Primary Examiner—Cathron Brooks

Assistant Examiner—Linda Brooks

(74) *Attorney, Agent, or Firm*—Young & Thompson

(57) **CLAIM**

The ornamental design for a unicycle, as shown and described.

DESCRIPTION

FIG. 1 is a front and side perspective view of a unicycle showing my new design;

FIG. 2 is a rear and side perspective view thereof;

FIG. 3 is a front elevational view thereof;

FIG. 4 is a side elevational view thereof from the left of FIG. 3, the side elevational view from the side opposite that shown in FIG. 4 being the mirror image thereof;

FIG. 5 is a rear elevational view thereof;

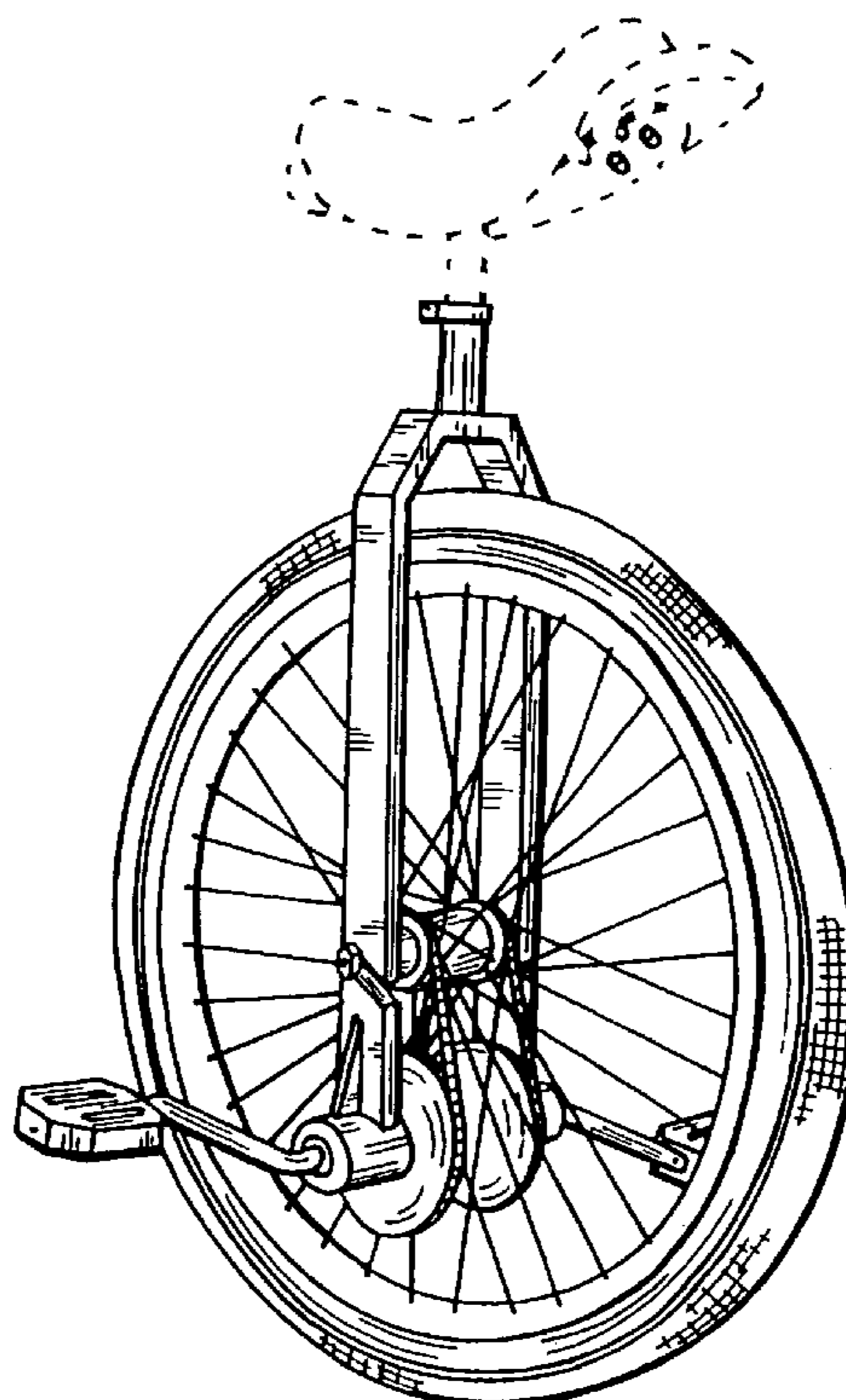
FIG. 6 is a top plan view thereof; and,

FIG. 7 is a bottom plan view thereof.

The structure shown in broken lines is to illustrate the environment only and forms no part of the claimed design.

The pattern of lines shown on only portions of the surface of the tire is understood to continue uniformly across the entire surface of the tire.

1 Claim, 7 Drawing Sheets



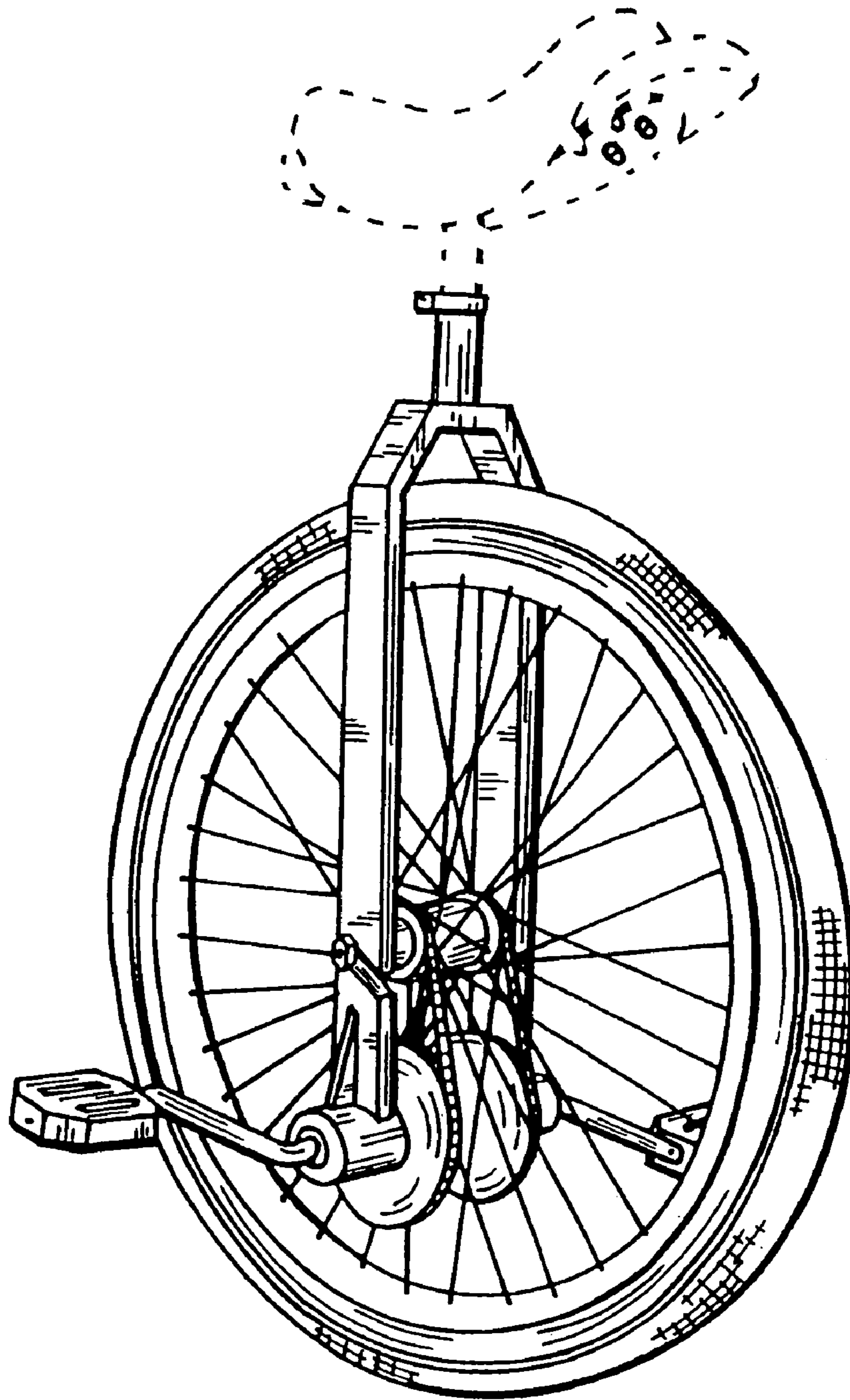


FIG. 1

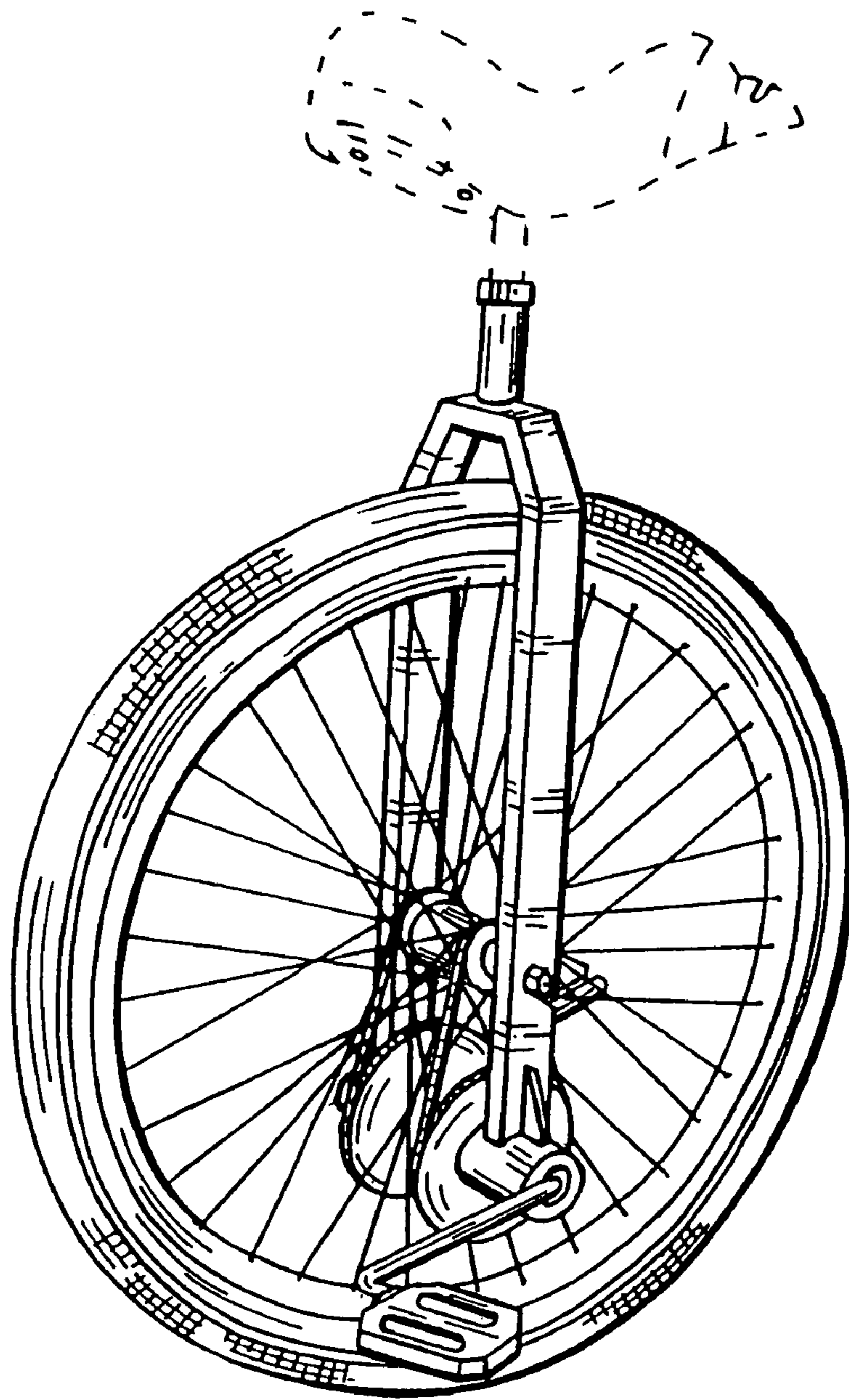


FIG. 2

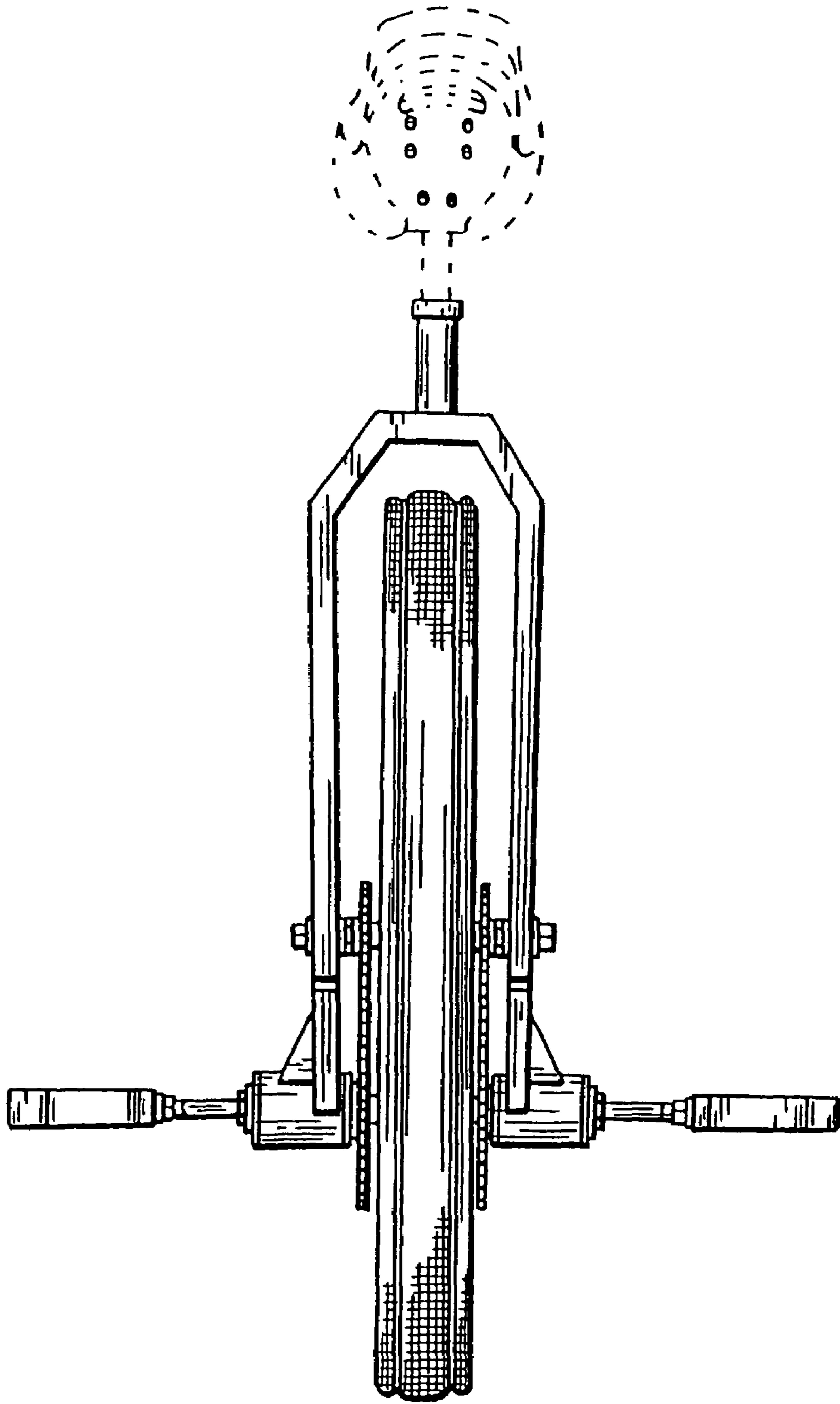


FIG. 3

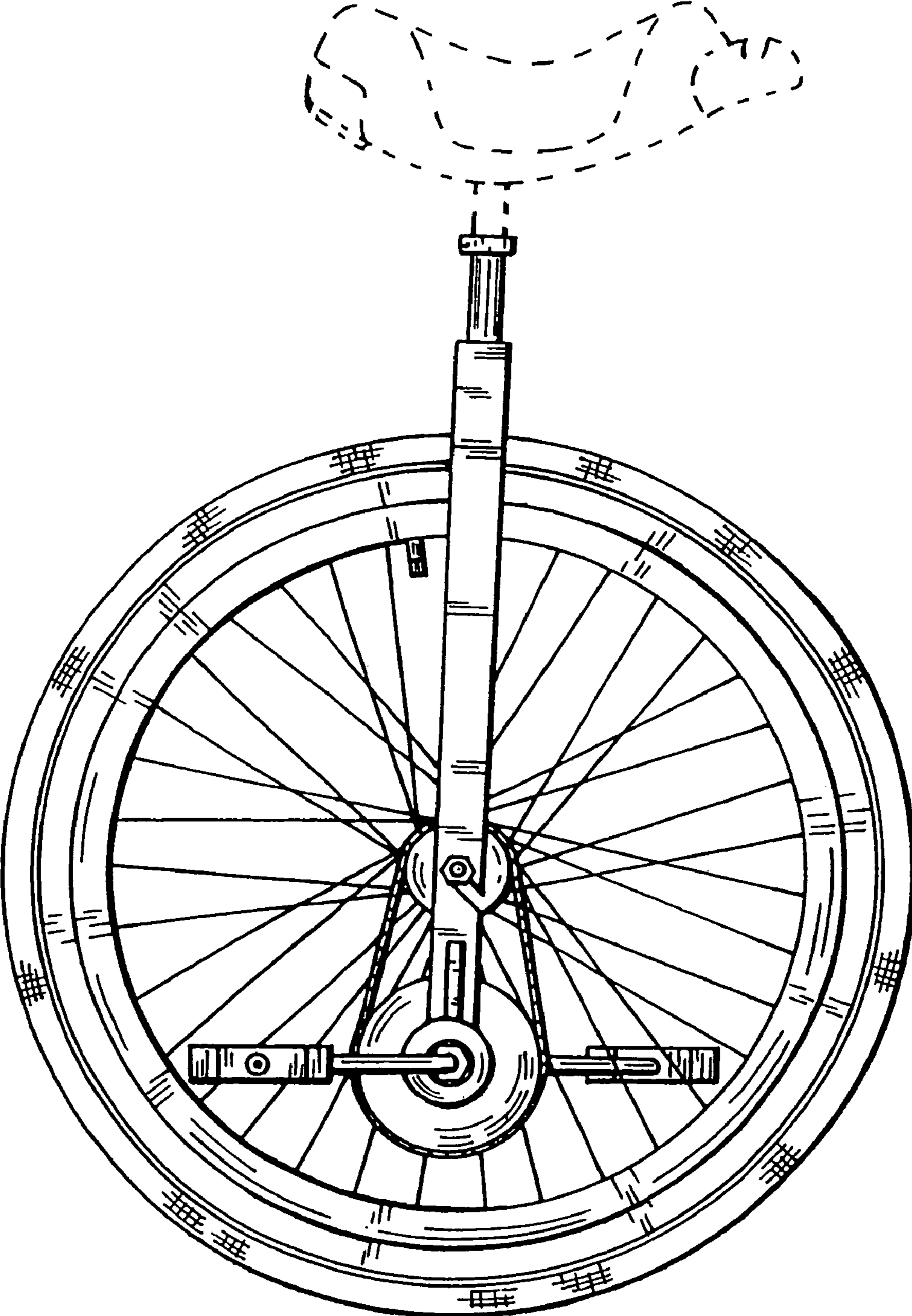


FIG. 4

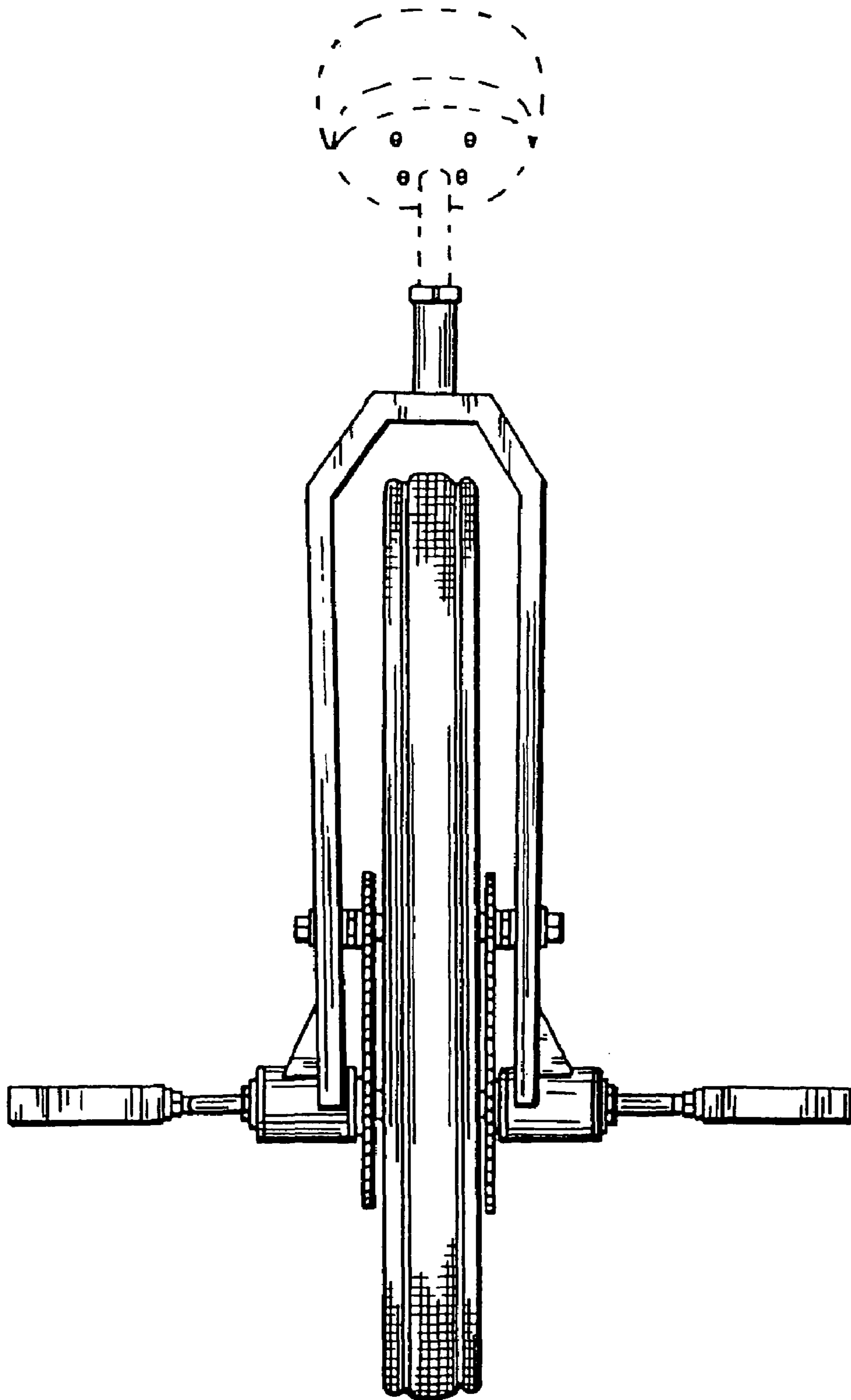


FIG. 5

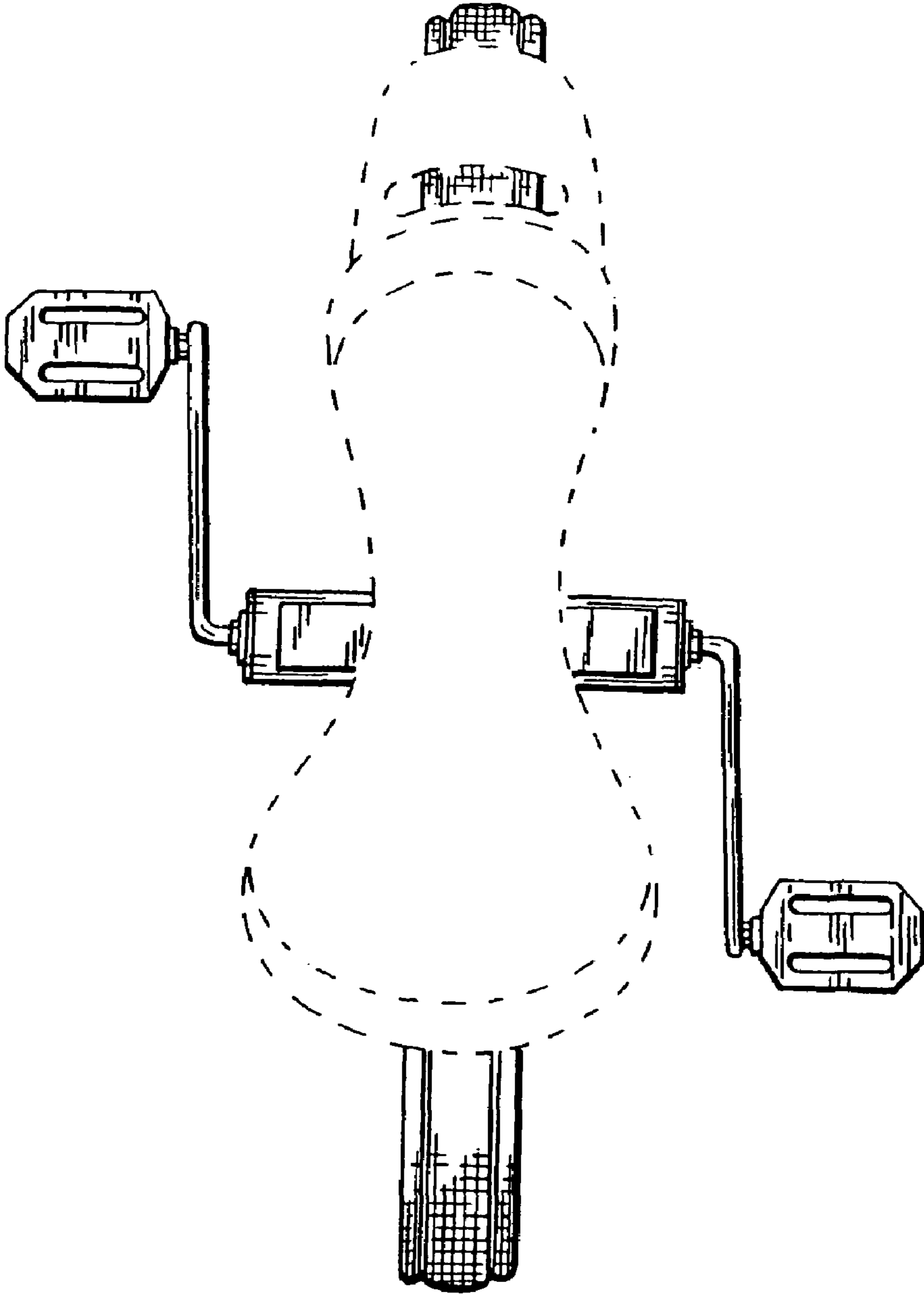


FIG. 6

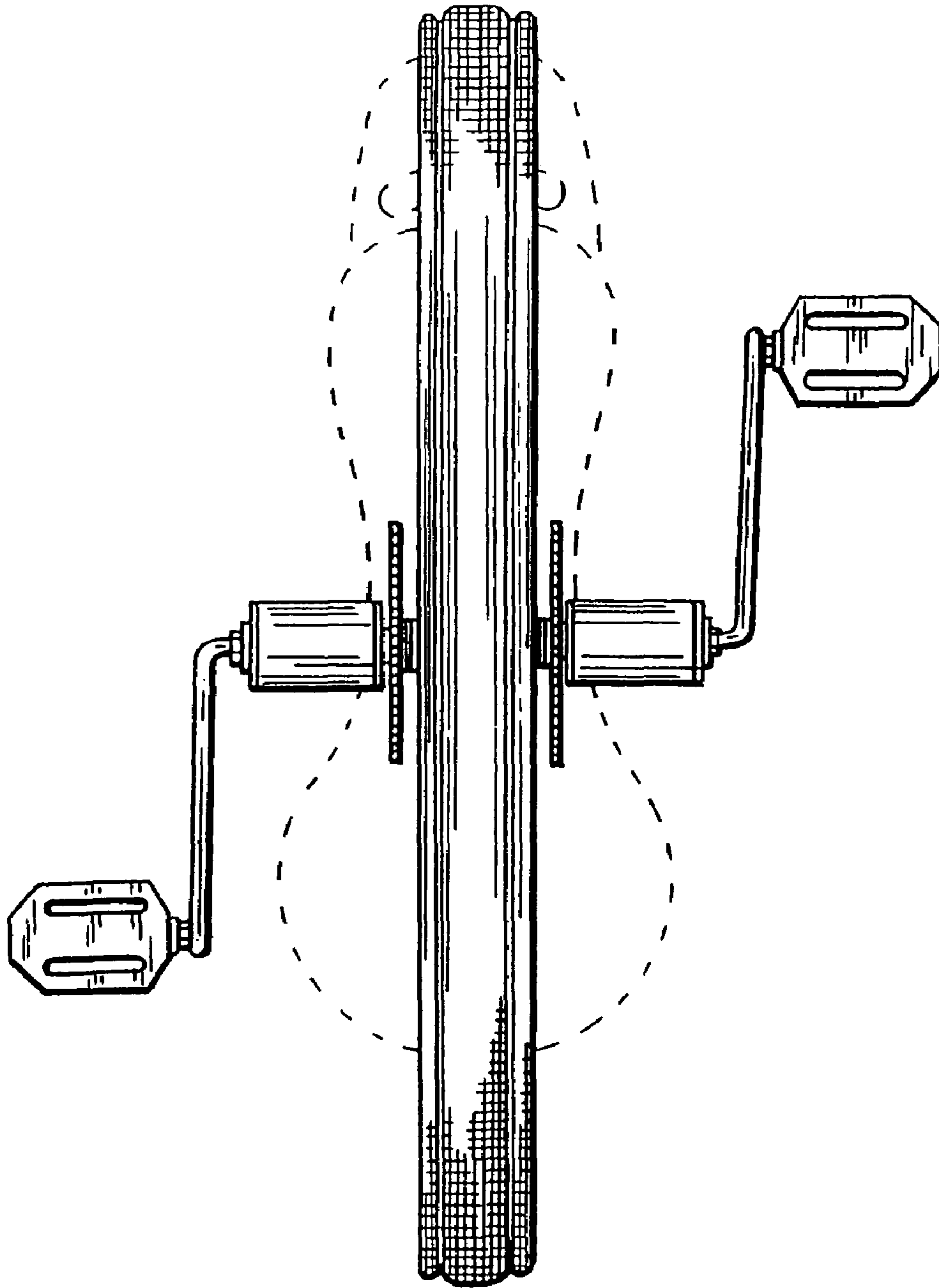


FIG. 7