



US00D560550S

(12) **United States Design Patent**
Laycock

(10) **Patent No.:** **US D560,550 S**

(45) **Date of Patent:** **** Jan. 29, 2008**

(54) **SADDLEBAG FLOWER PLANTER**

D322,418 S * 12/1991 White D11/144
D326,113 S * 5/1992 Galante D19/75
6,032,808 A * 3/2000 Henson 211/85.23

(76) **Inventor:** **Larry R. Laycock**, 146 S. Pfeifferhorn
Dr., Alpine, UT (US) 84004

* cited by examiner

(**) **Term:** **14 Years**

Primary Examiner—Robert M. Spear
Assistant Examiner—Garth Rademaker

(21) **Appl. No.:** **29/265,152**

(74) *Attorney, Agent, or Firm*—Workman Nydegger

(22) **Filed:** **Aug. 25, 2006**

(57) **CLAIM**

(51) **LOC (8) Cl.** **11-02**

The ornamental design for a saddlebag flower planter, as shown and described.

(52) **U.S. Cl.** **D11/156**

(58) **Field of Classification Search** D6/556–558;
D7/516, 517, 520, 562; D11/142–156; D19/75,
D19/77, 80–82, 84; D26/9, 16; 47/33, 39,
47/41.01, 41.1, 41.11–41.13, 41.15, 65.5,
47/66.1, 66.6, 66.7, 67–71

DESCRIPTION

See application file for complete search history.

FIG. 1 is a perspective view of a saddlebag flower planter showing my new design;

FIG. 2 is a front elevation view thereof;

FIG. 3 is a right side elevation view thereof;

FIG. 4 is a top plan view thereof; and,

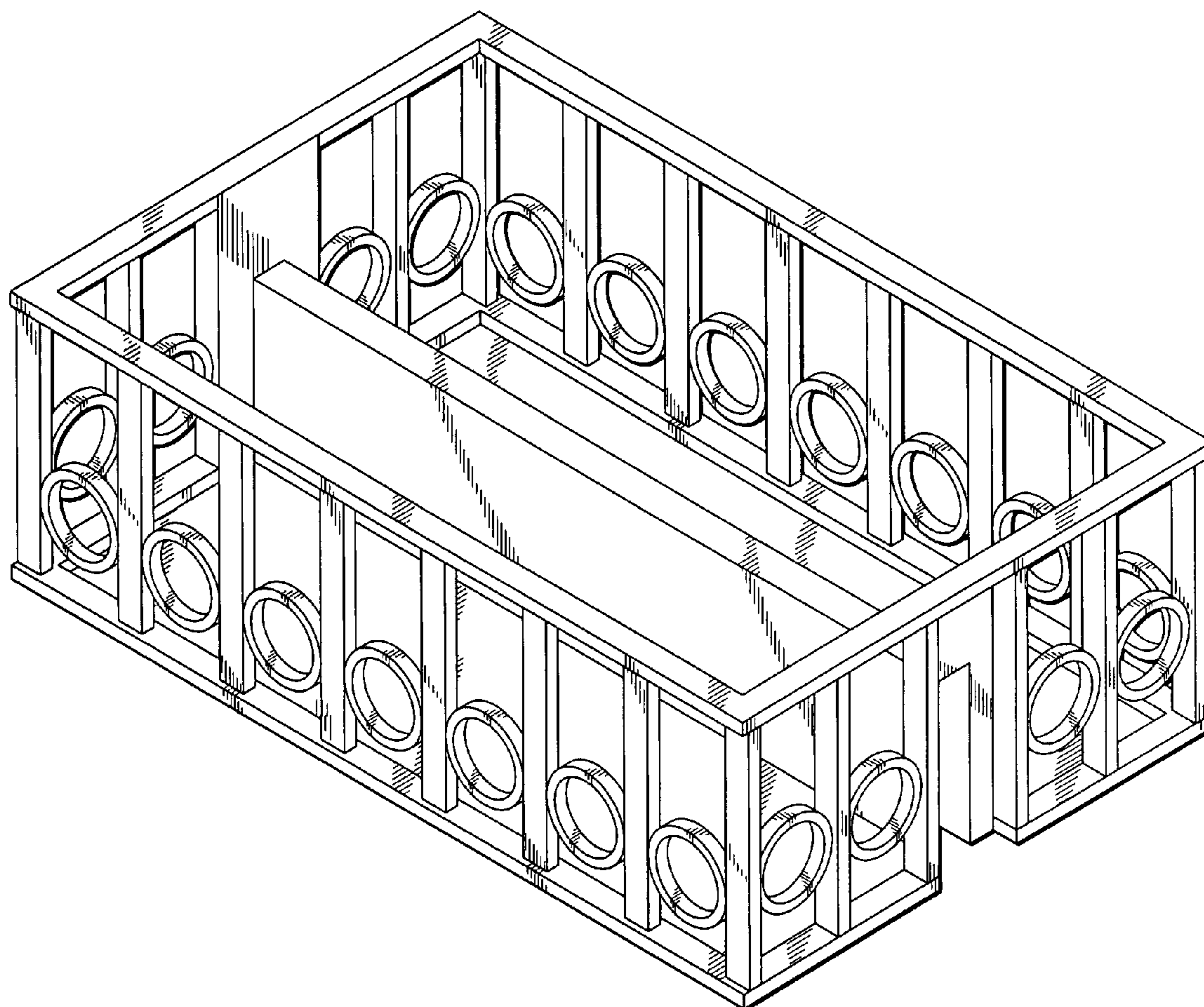
FIG. 5 is a bottom plan view thereof.

(56) **References Cited**

U.S. PATENT DOCUMENTS

D312,912 S * 12/1990 Klahre D11/155
D321,371 S * 11/1991 Galante D19/75

1 Claim, 3 Drawing Sheets



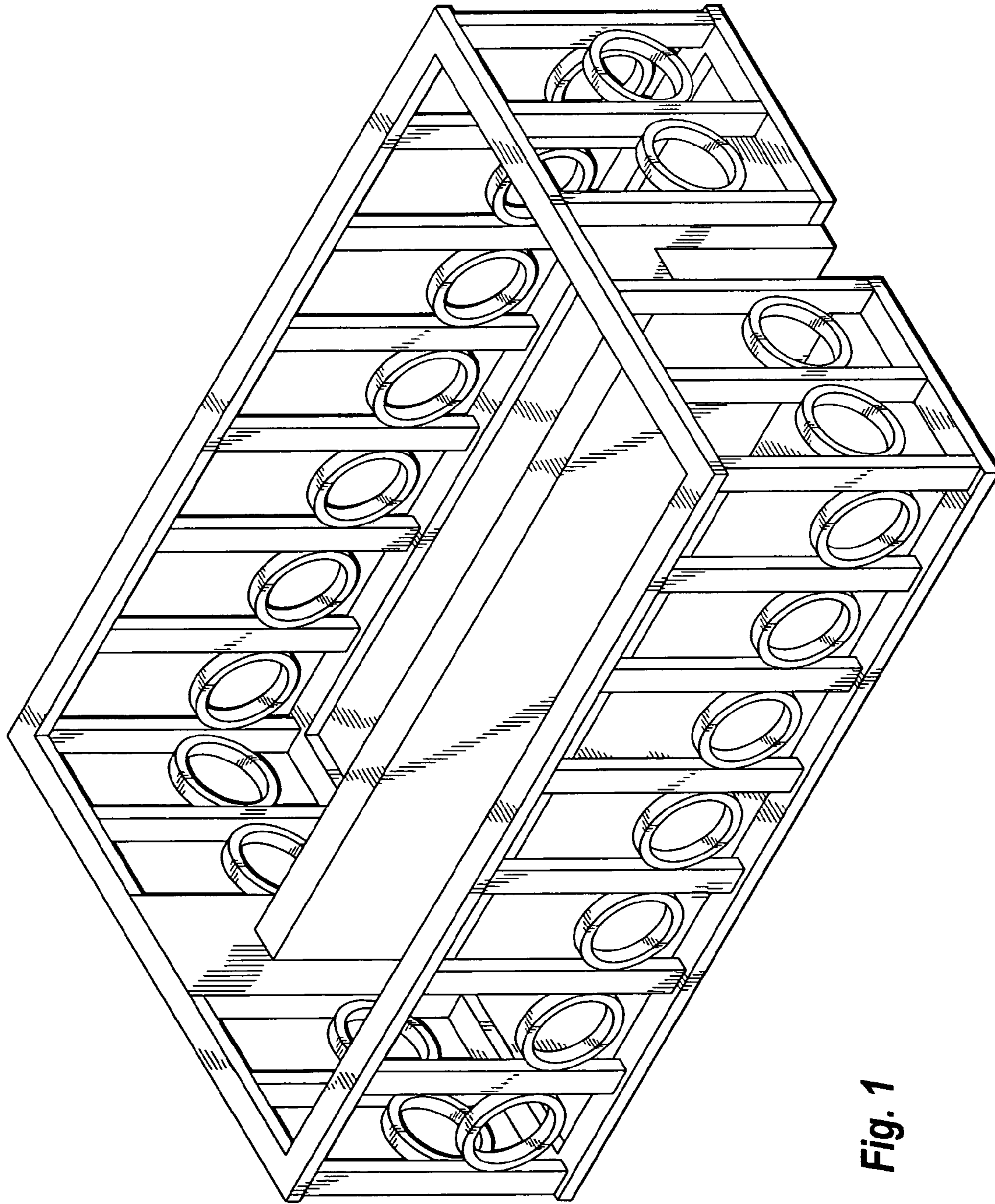


Fig. 1

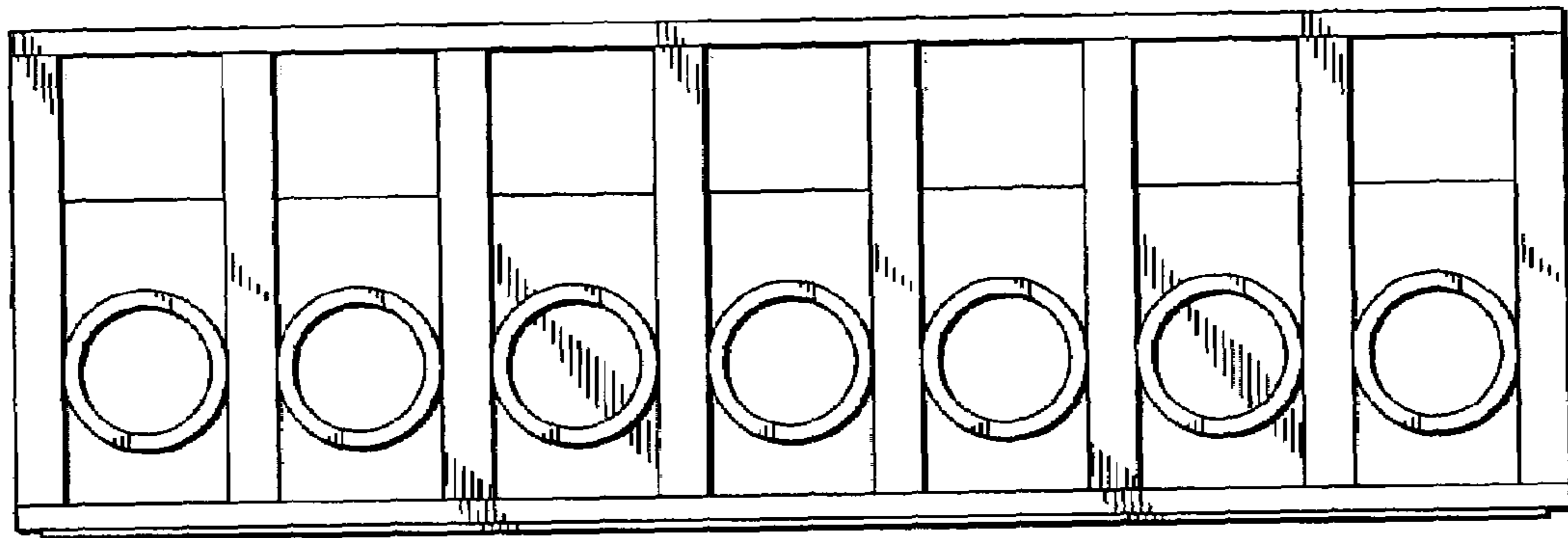


Fig. 2

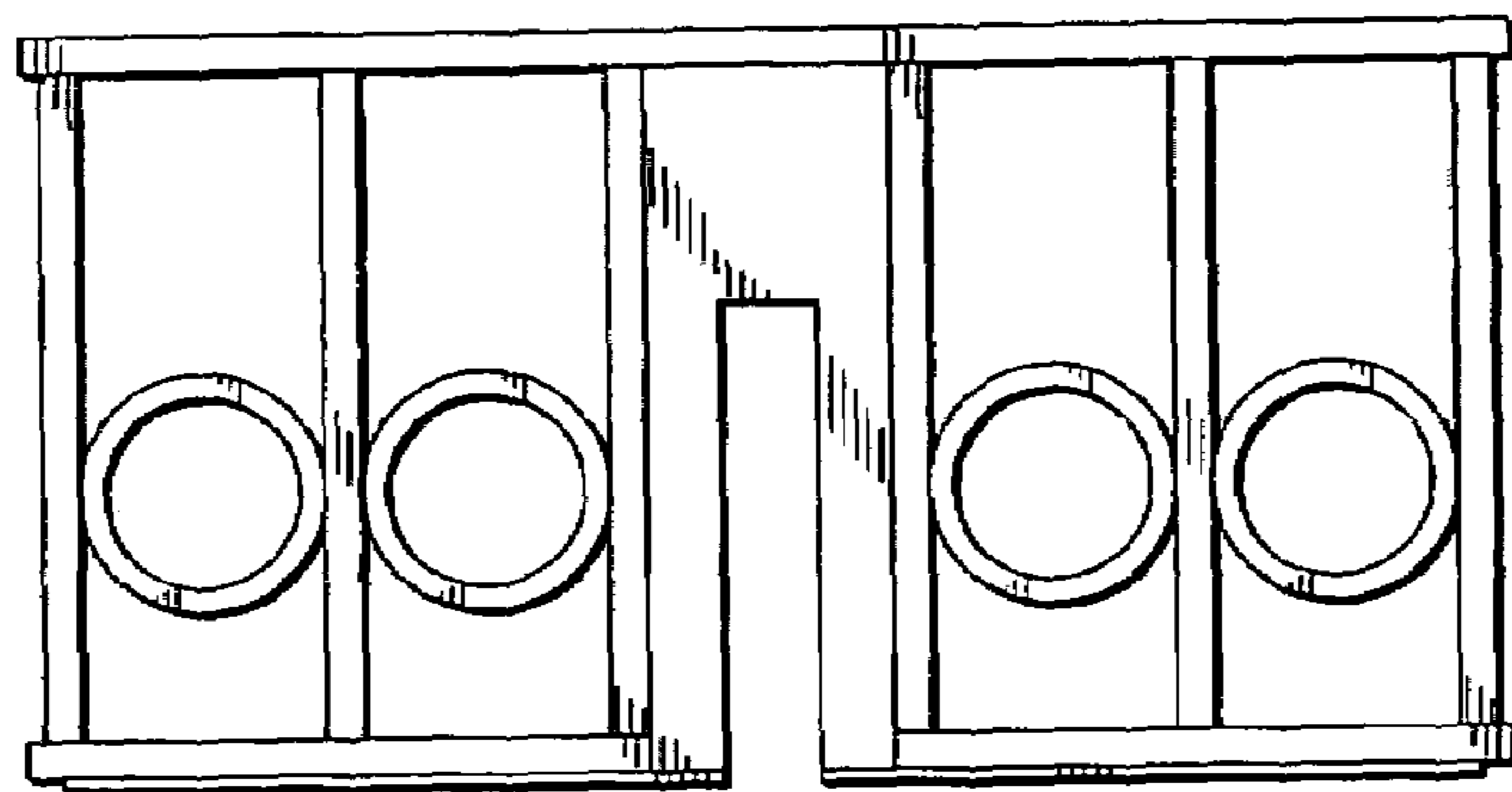


Fig. 3

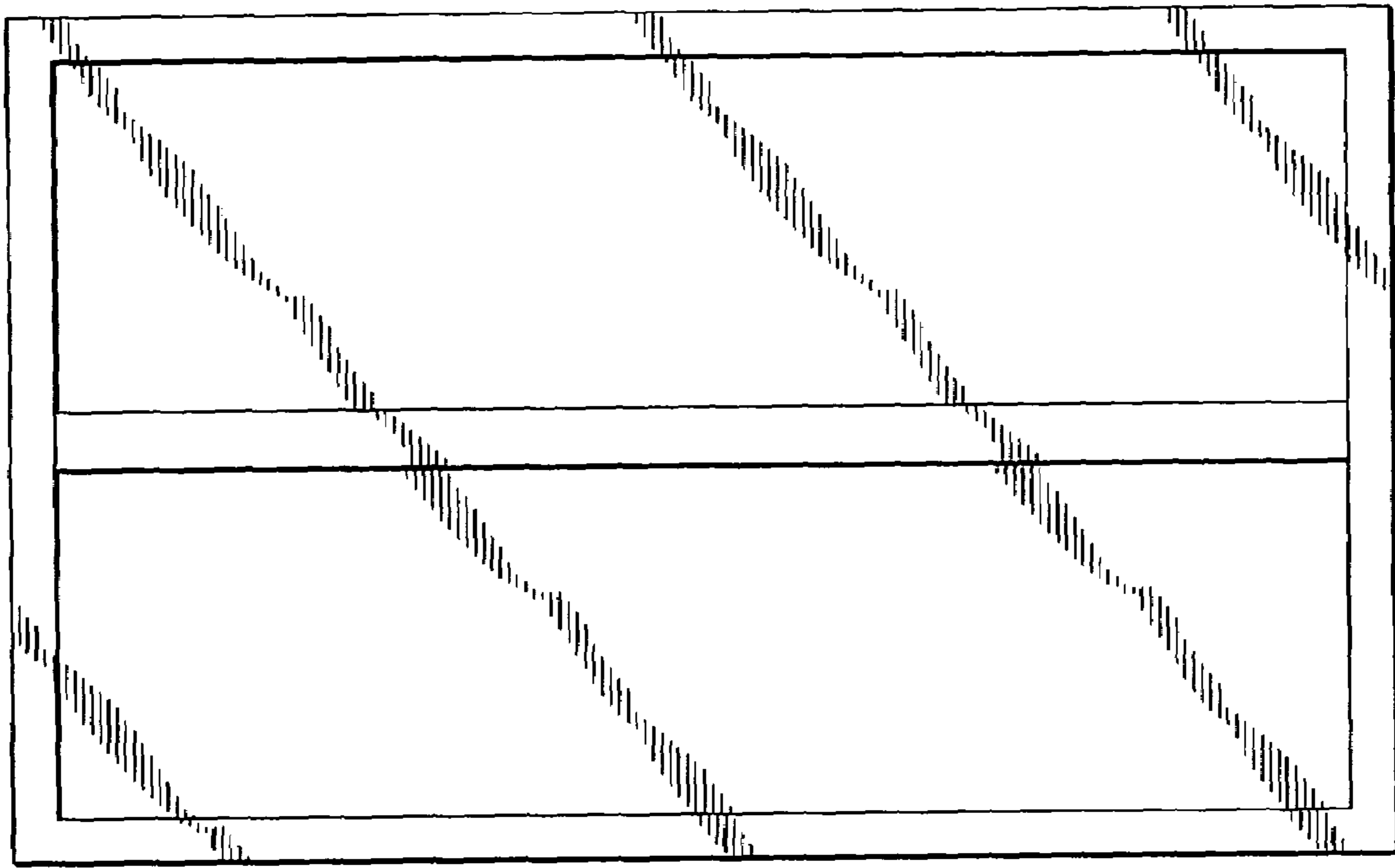


Fig. 4

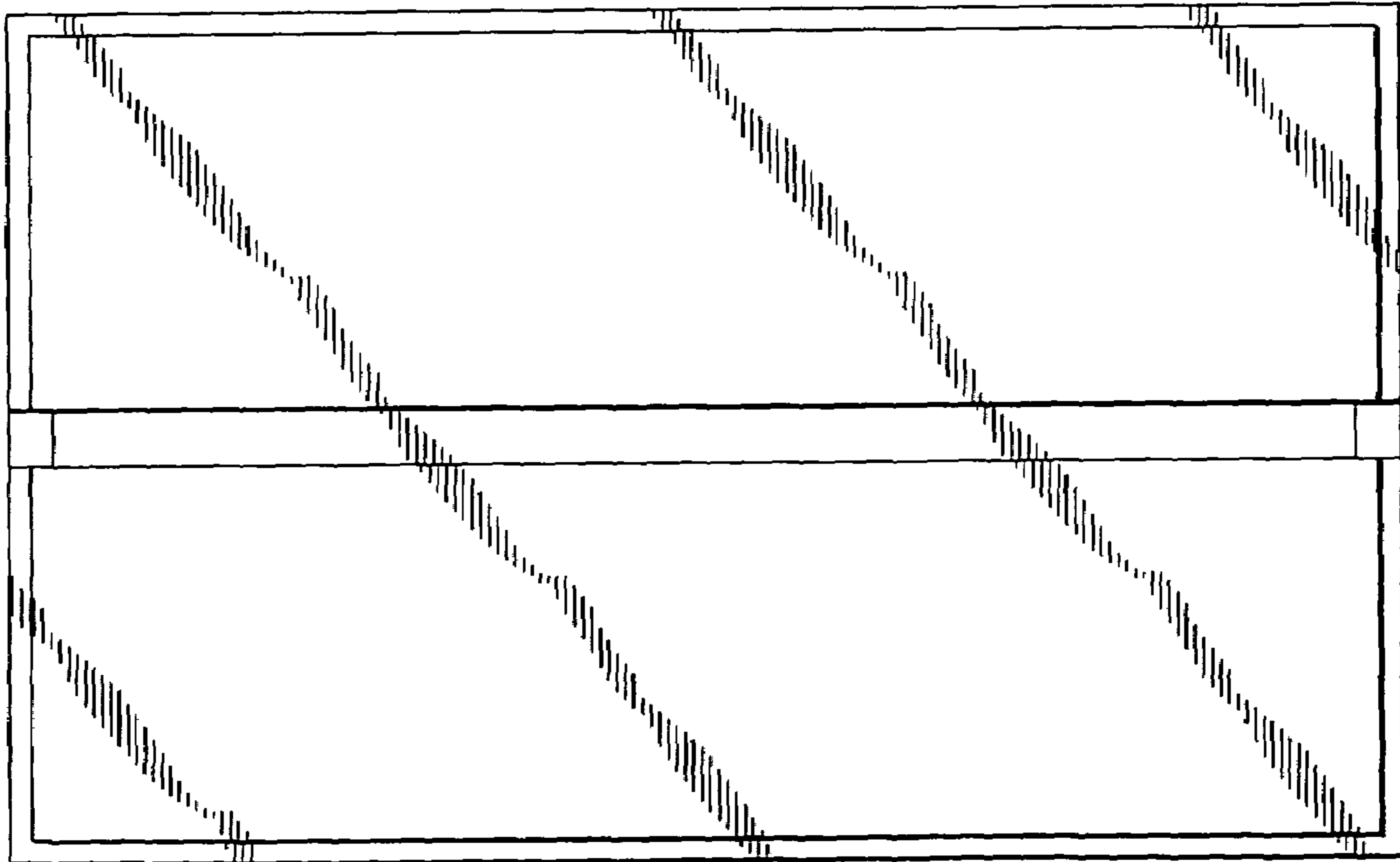


Fig. 5