



US00D560543S

(12) **United States Design Patent**
Granig

(10) **Patent No.:** **US D560,543 S**

(45) **Date of Patent:** **** Jan. 29, 2008**

(54) **ARTIFICIAL GEMSTONE, NATURAL GEMSTONE, ORNAMENTAL OBJECT MADE OF GLASS**

Primary Examiner—Ralf Seifert
(74) *Attorney, Agent, or Firm*—Wenderoth, Lind & Ponack, L.L.P.

(75) **Inventor:** **Martin Granig**, Rum (AT)

(57) **CLAIM**

(73) **Assignee:** **Swarovski Aktiengesellschaft**, Triesen (LI)

The ornamental design for an artificial gemstone, natural gemstone, ornamental object made of glass, as shown.

(**) **Term:** **14 Years**

DESCRIPTION

(21) **Appl. No.:** **29/274,893**

FIG. 1 is a front view of the artificial gemstone, natural gemstone, ornamental object made of glass according to the first embodiment;

(22) **Filed:** **Jun. 5, 2007**

FIG. 2 is a right end view of the artificial gemstone, natural gemstone, ornamental object made of glass according to the first embodiment;

(30) **Foreign Application Priority Data**

Jan. 18, 2007 (EM) 000654637-0007

FIG. 3 is a top view of the artificial gemstone, natural gemstone, ornamental object made of glass according to the first embodiment;

(51) **LOC (8) Cl.** **11-01**

(52) **U.S. Cl.** **D11/90**

(58) **Field of Classification Search** D11/1-2, D11/26-29, 89-92; 63/26-28, 32
See application file for complete search history.

FIG. 4 is a left end view of the artificial gemstone, natural gemstone, ornamental object made of glass according to the first embodiment;

(56) **References Cited**

U.S. PATENT DOCUMENTS

- D472,670 S * 4/2003 Forster D26/154
- D511,989 S * 11/2005 Pereira De Castro et al. ... D11/90
- D522,910 S * 6/2006 Welzig D11/90
- D543,891 S * 6/2007 Granig D11/90
- D545,239 S * 6/2007 Granig D11/90
- D547,231 S * 7/2007 Swarovski D11/90
- D549,610 S * 8/2007 Prechtl et al. D11/90

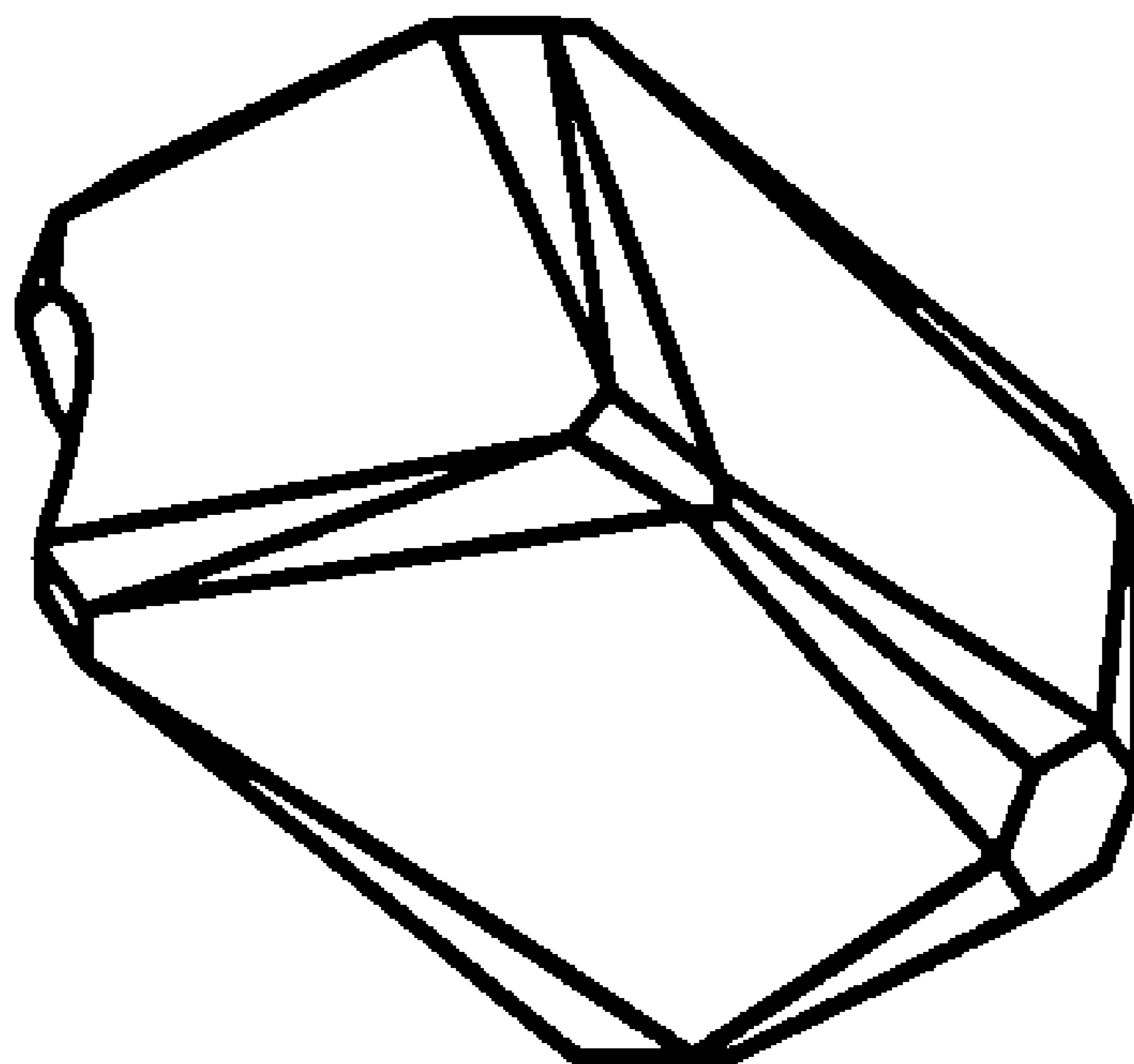
FIG. 5 is a bottom view of the artificial gemstone, natural gemstone, ornamental object made of glass according to the first embodiment;

FIG. 6 is a rear view of the artificial gemstone, natural gemstone, ornamental object made of glass according to the first embodiment; and,

FIG. 7 is a perspective view of the artificial gemstone, natural gemstone, ornamental object made of glass according to the first embodiment of the present invention.

* cited by examiner

1 Claim, 1 Drawing Sheet



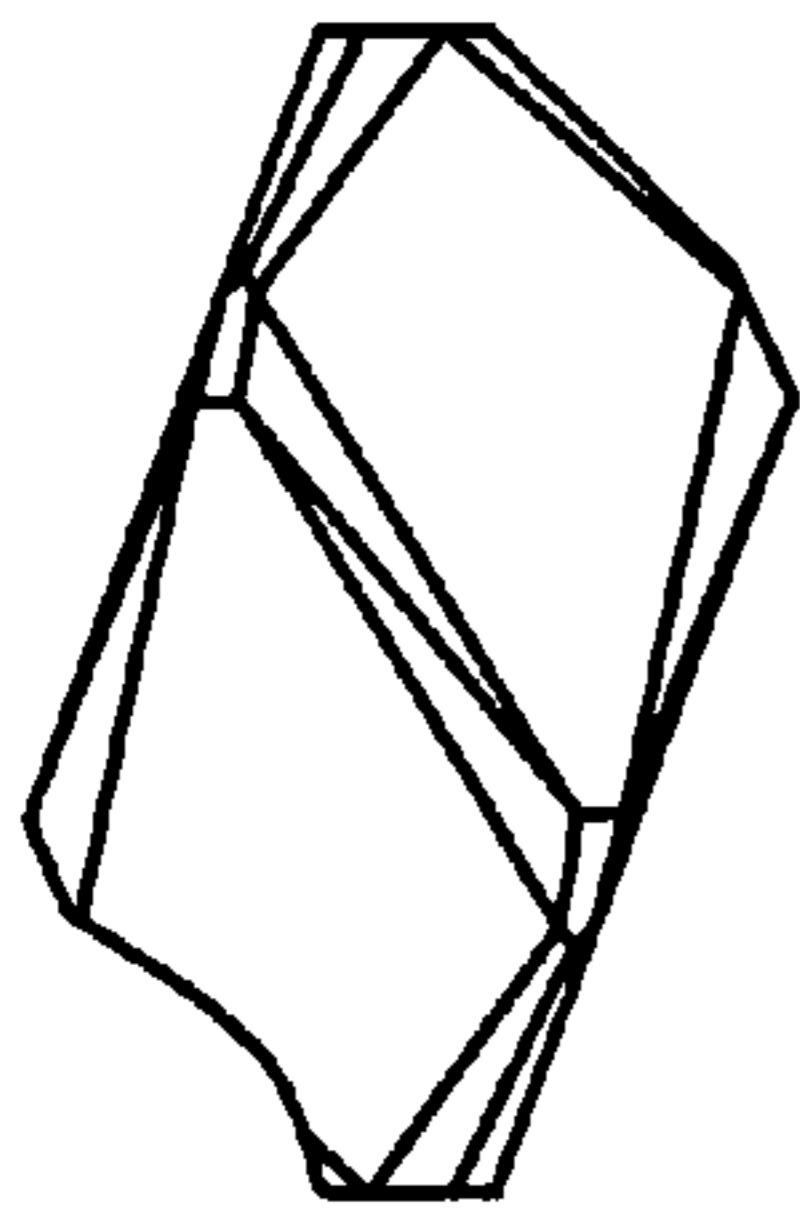


Fig. 1

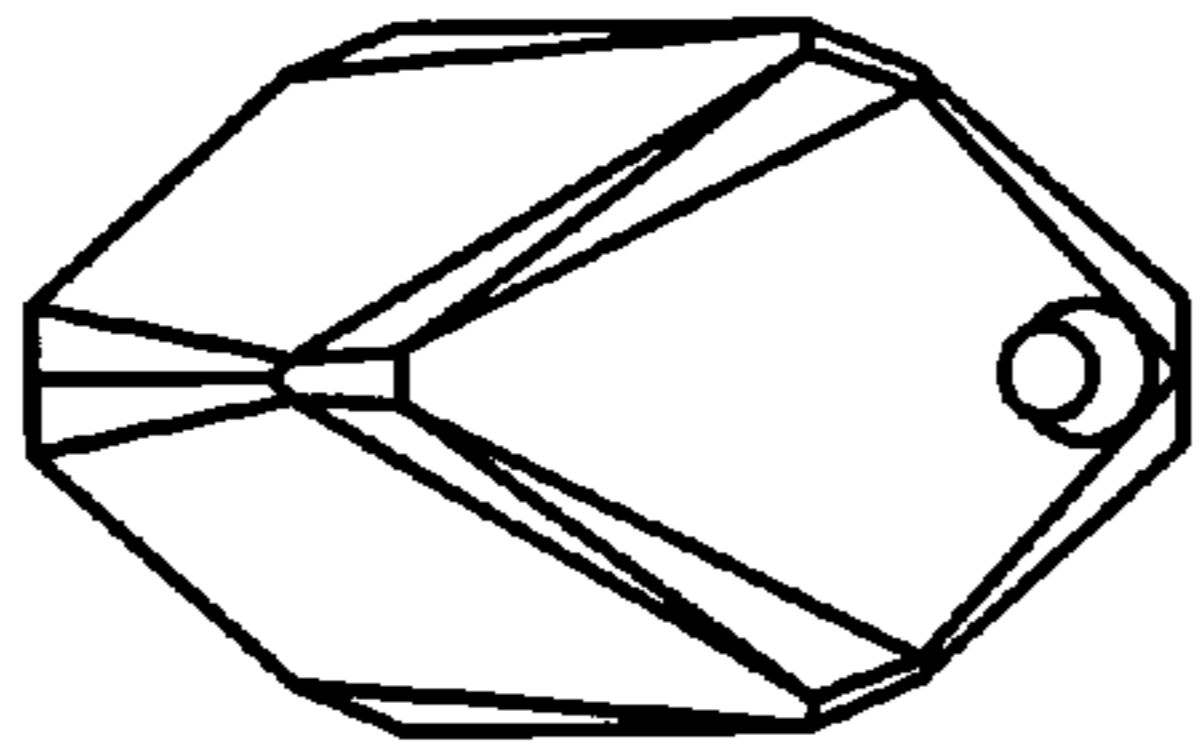


Fig. 2

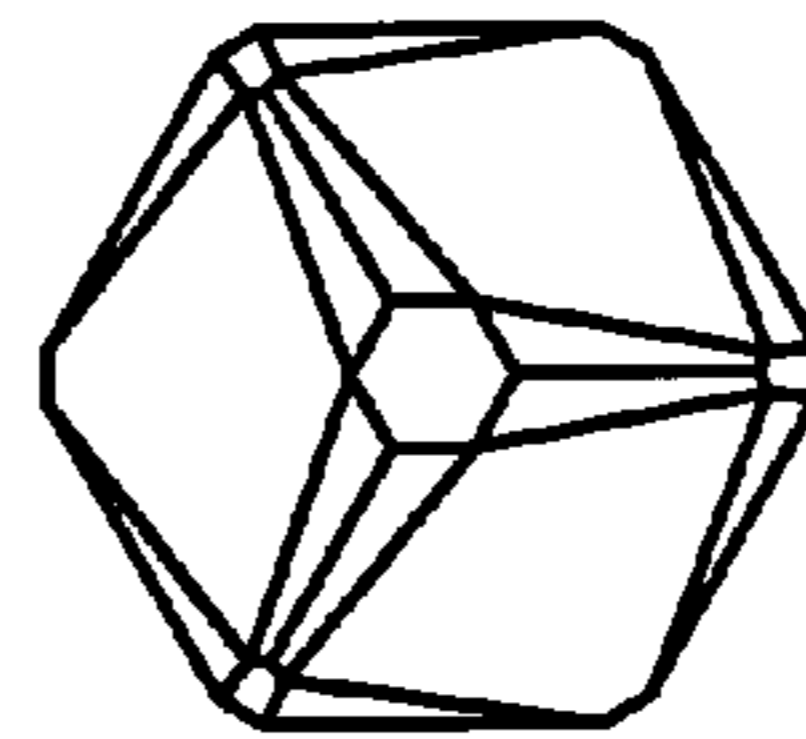


Fig. 3

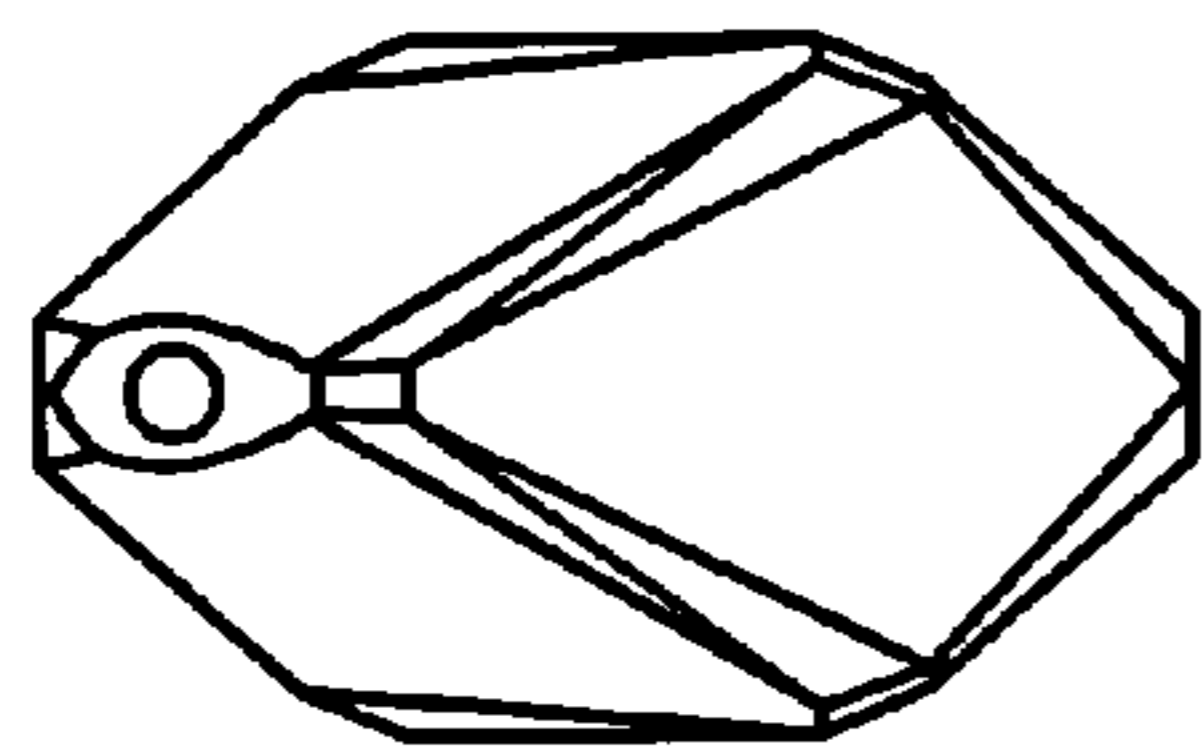


Fig. 4

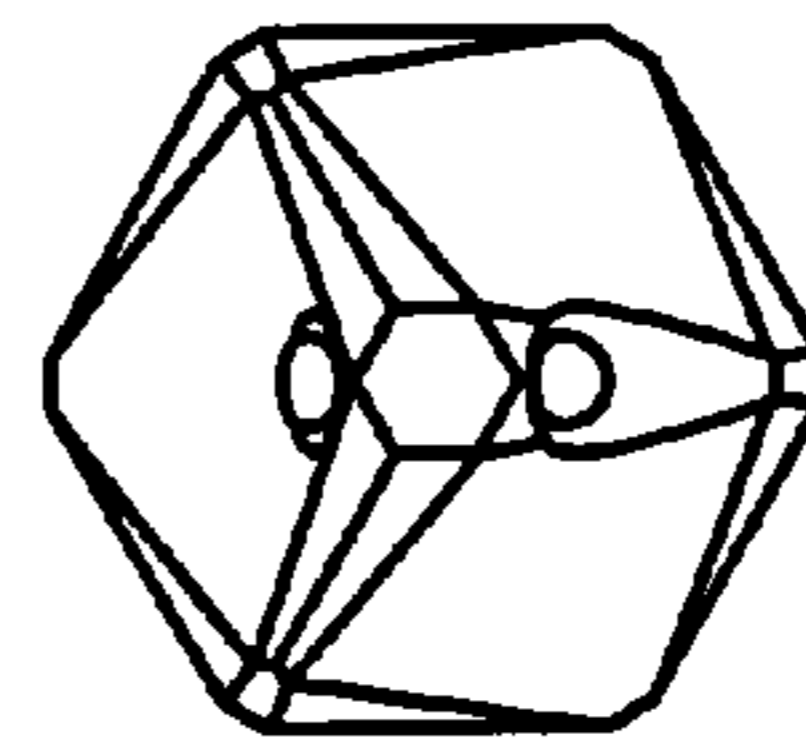


Fig. 5

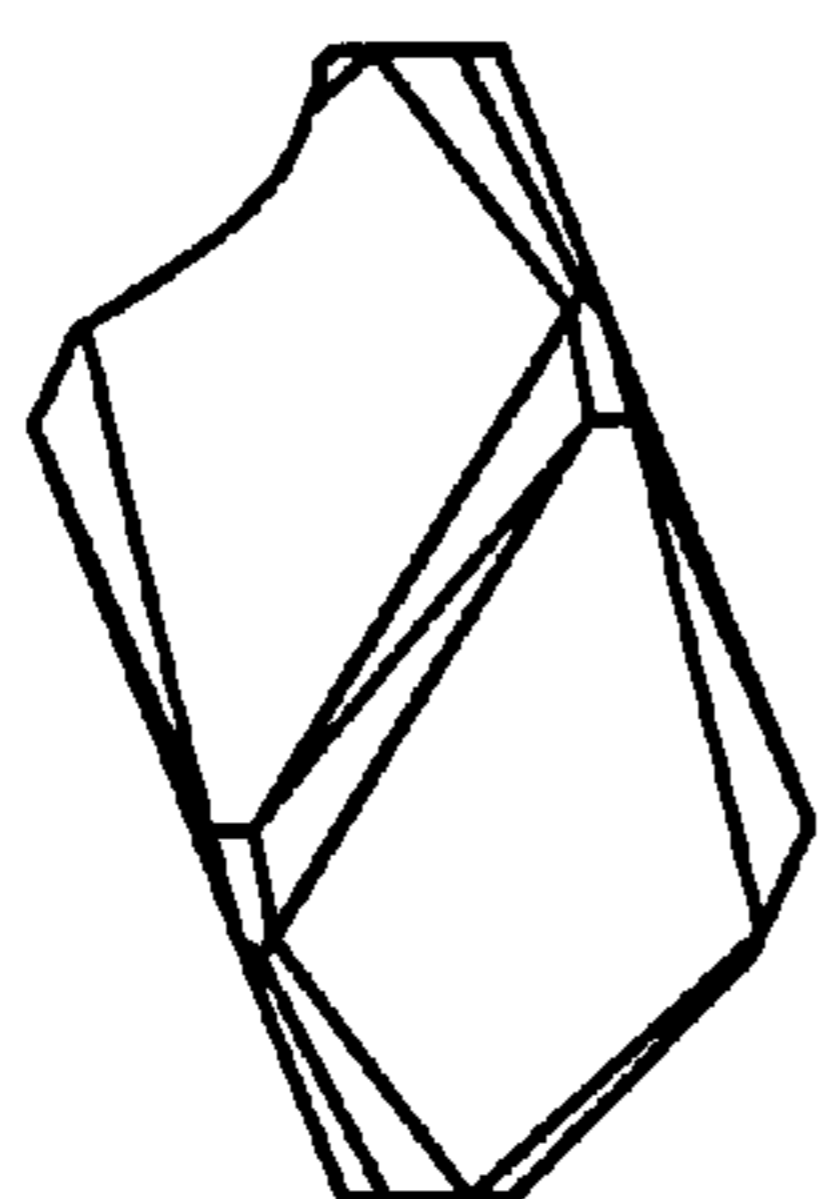


Fig. 6

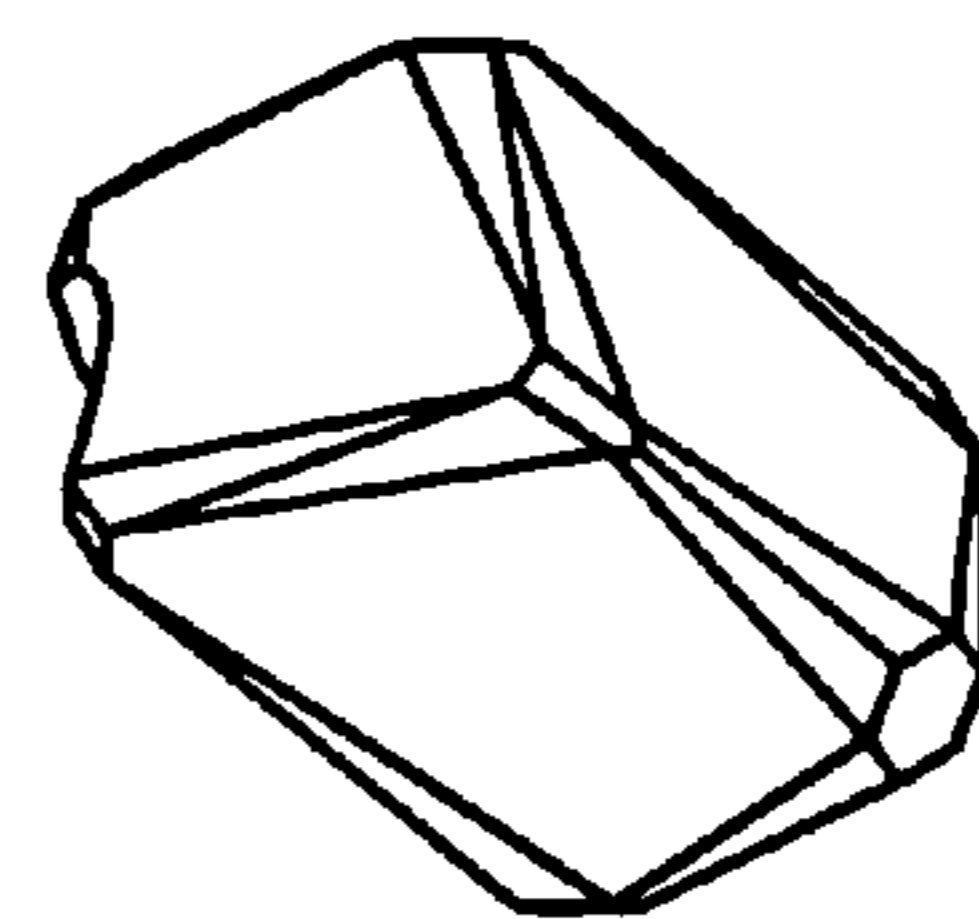


Fig. 7