



US00D560530S

(12) **United States Design Patent**
Fisher et al.

(10) **Patent No.:** **US D560,530 S**
(45) **Date of Patent:** **** Jan. 29, 2008**

(54) **PRESSURE TRANSMITTER**

(75) Inventors: **Mark E. Fisher**, Valparaiso, IN (US);
Michael A. Popp, La Porte, IN (US);
Richard A. Papai, Cassopolis, MI (US)

(73) Assignee: **Dwyer Instruments, Inc.**, Michigan
City, IN (US)

(**) Term: **14 Years**

(21) Appl. No.: **29/275,131**

(22) Filed: **Dec. 14, 2006**

(51) **LOC (8) Cl.** **10-04**

(52) **U.S. Cl.** **D10/85**

(58) **Field of Classification Search** D10/85,
D10/99; 73/715-722, 431; 200/83, 83 B,
200/83 C, 83 L; 324/110-116, 119
See application file for complete search history.

(56) **References Cited**

U.S. PATENT DOCUMENTS

- 4,385,525 A 5/1983 Phillips et al.
- 4,838,090 A 6/1989 Hestich
- 4,841,782 A 6/1989 Buchanan
- 4,890,497 A 1/1990 Cahill
- 4,938,076 A 7/1990 Buchanan
- D316,982 S 5/1991 Hestich
- 6,089,098 A 7/2000 Tylish
- D468,222 S * 1/2003 Koch et al. D10/103

- D488,735 S 4/2004 Palmer et al.
- D514,007 S 1/2006 Buchanan
- 6,981,421 B2 1/2006 Palmer et al.
- D545,706 S * 7/2007 Nurczyk et al. D10/85

* cited by examiner

Primary Examiner—Antoine D. Davis

(74) *Attorney, Agent, or Firm*—Barnes & Thornburg LLP

(57) **CLAIM**

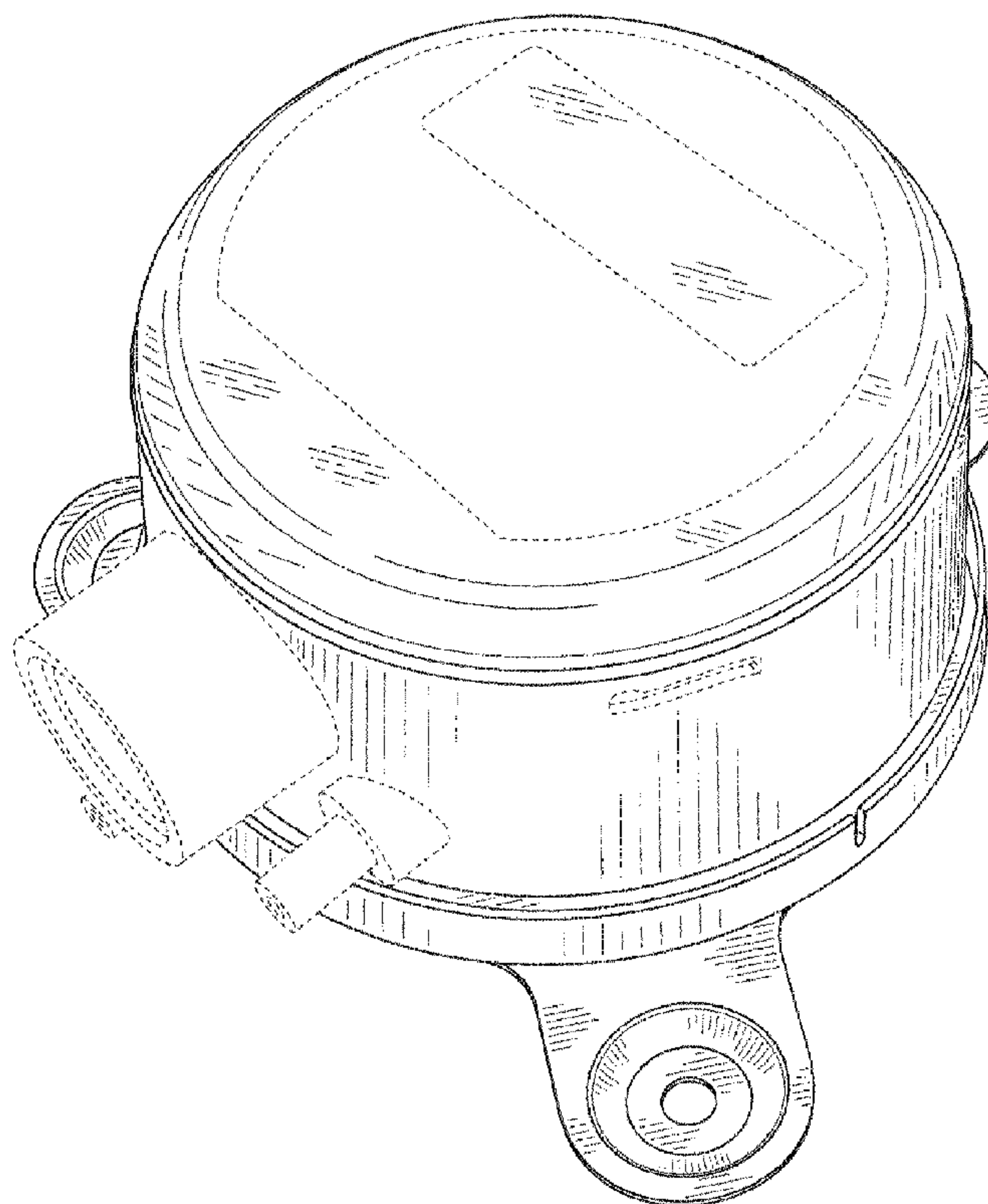
The ornamental design for a pressure transmitter, as shown and described.

DESCRIPTION

FIG. 1 is a perspective view of the pressure transmitter;
 FIG. 2 is a bottom view of the pressure transmitter;
 FIG. 3 is a top view of the pressure transmitter;
 FIG. 4 is a left side elevational view of the pressure transmitter;
 FIG. 5 is a right side elevational view of the pressure transmitter;
 FIG. 6 is a front elevational view of the pressure transmitter;
 and,

FIG. 7 is a rear elevational view of the pressure transmitter.
 The broken line showing of portions of a pressure transmitter is included for the purpose of illustrating non-claimed subject matter and forms no part of the claimed design.

1 Claim, 5 Drawing Sheets



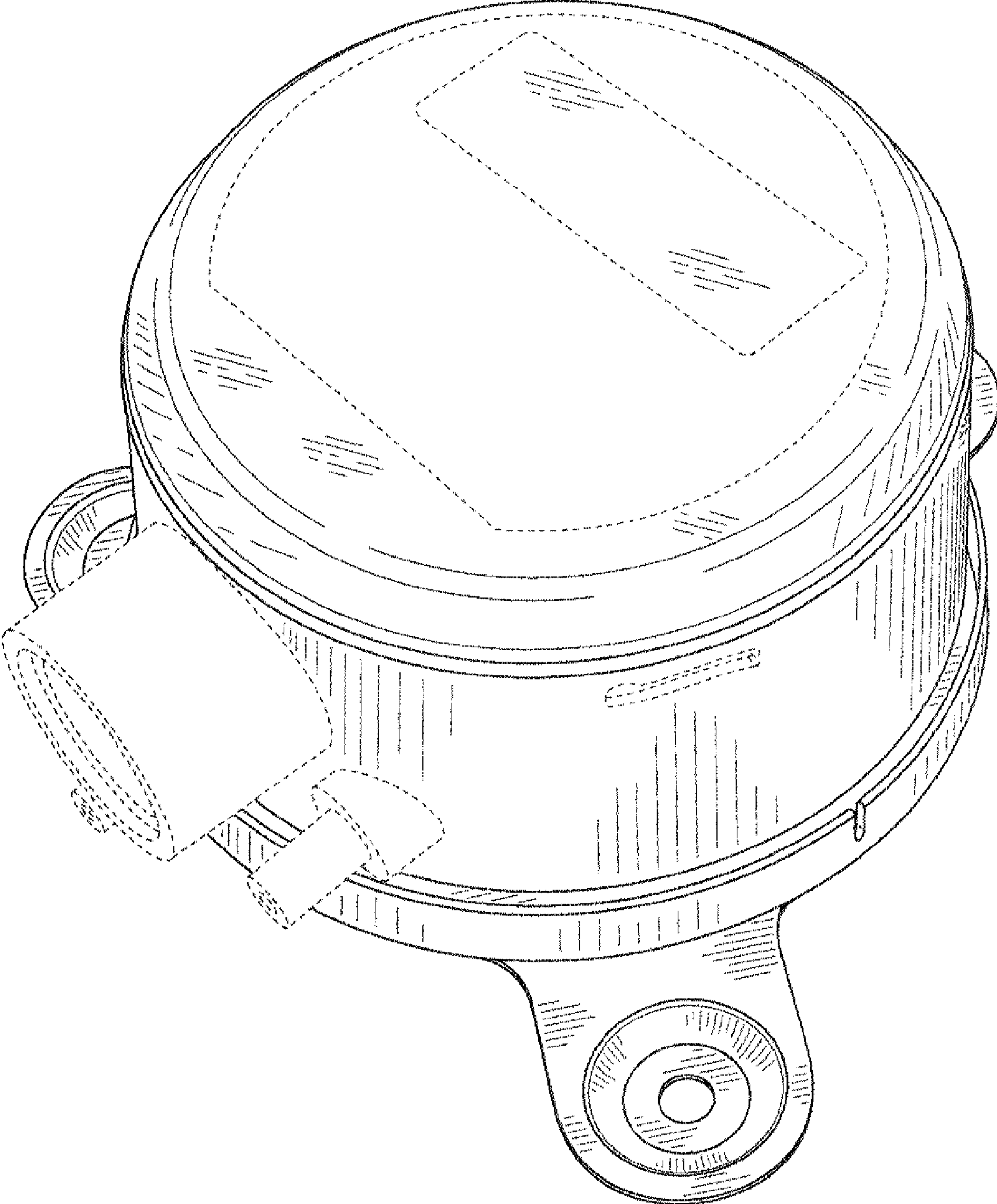


FIG. 1

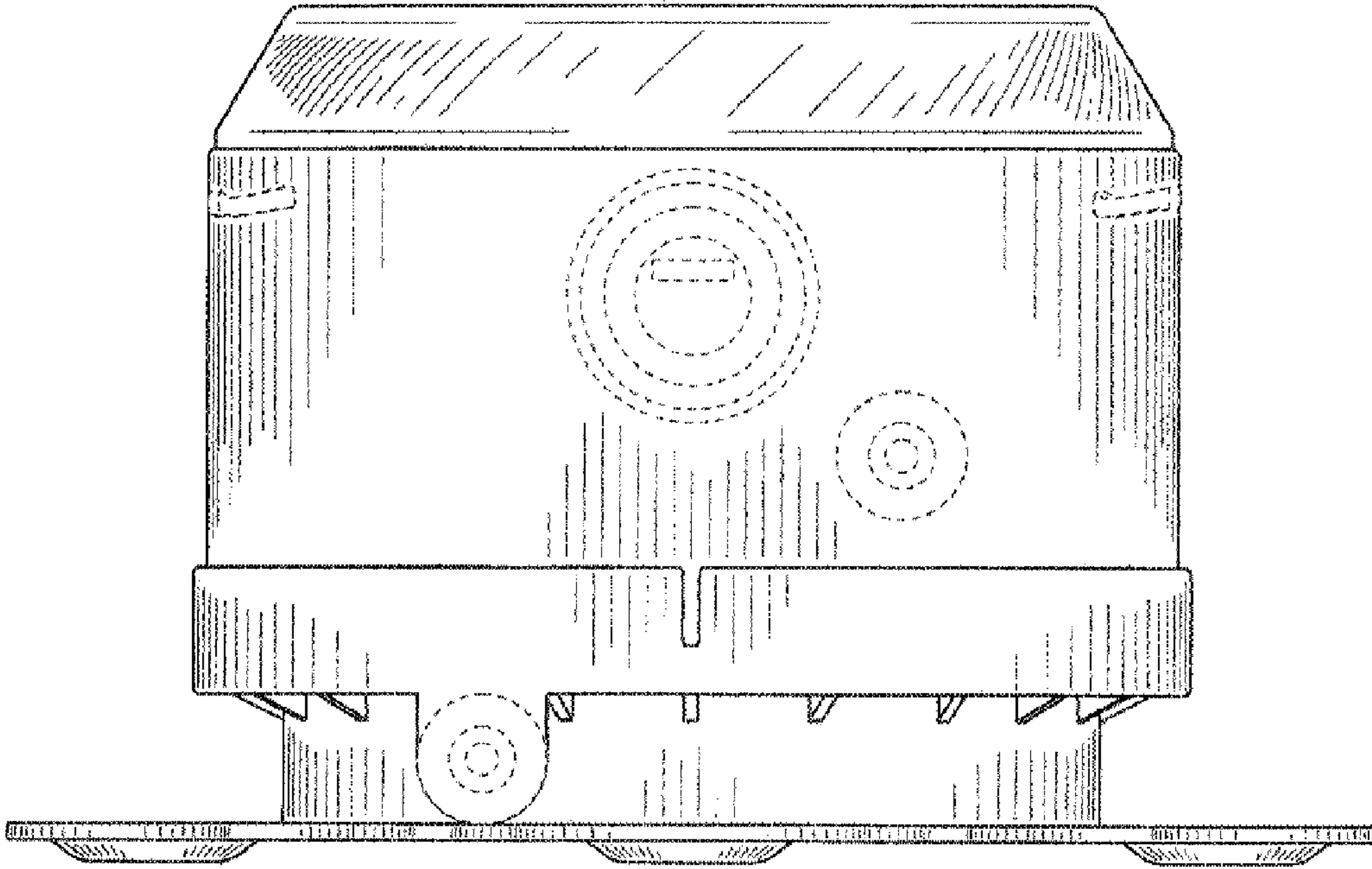


FIG. 2

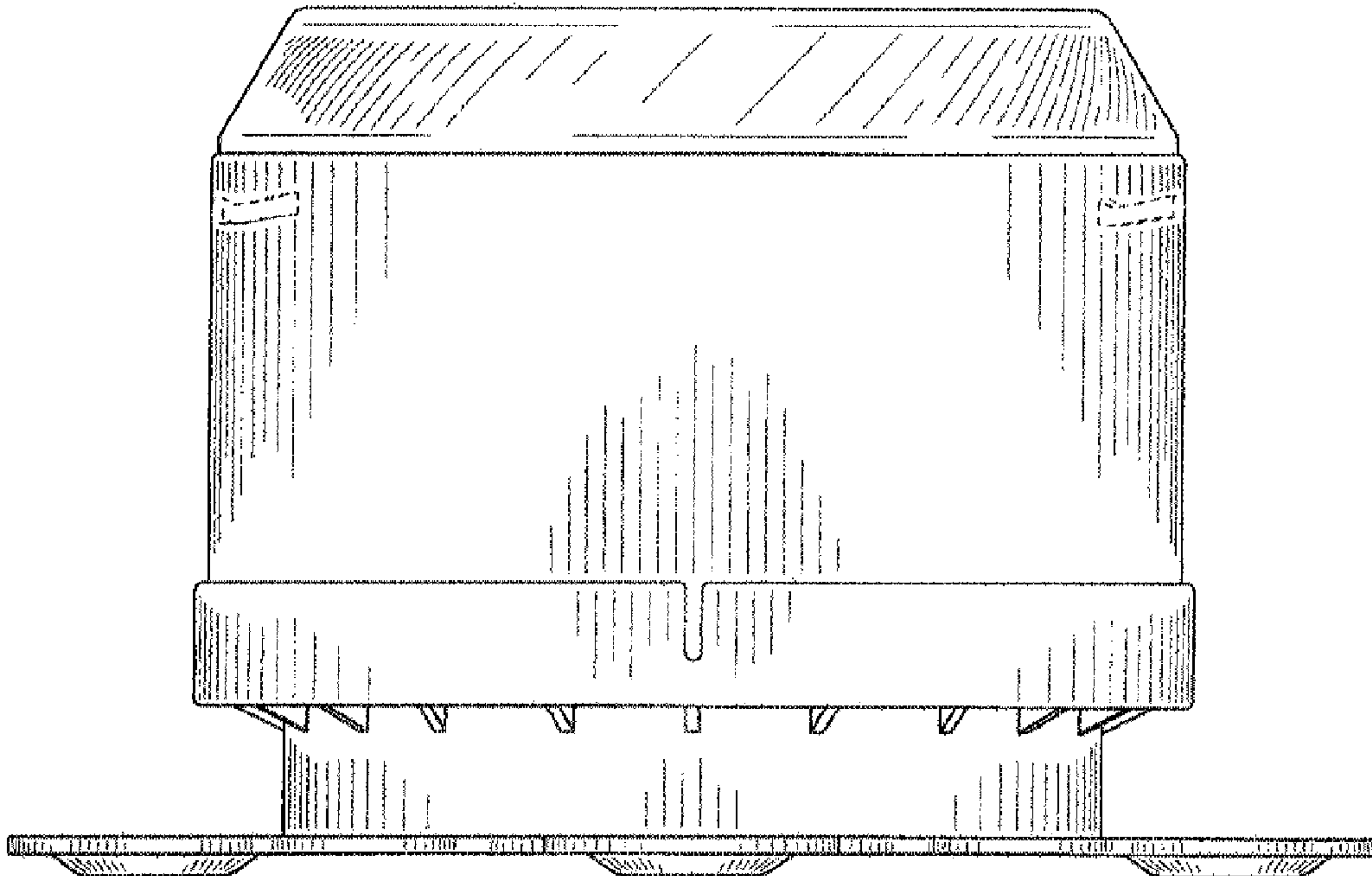


FIG. 3

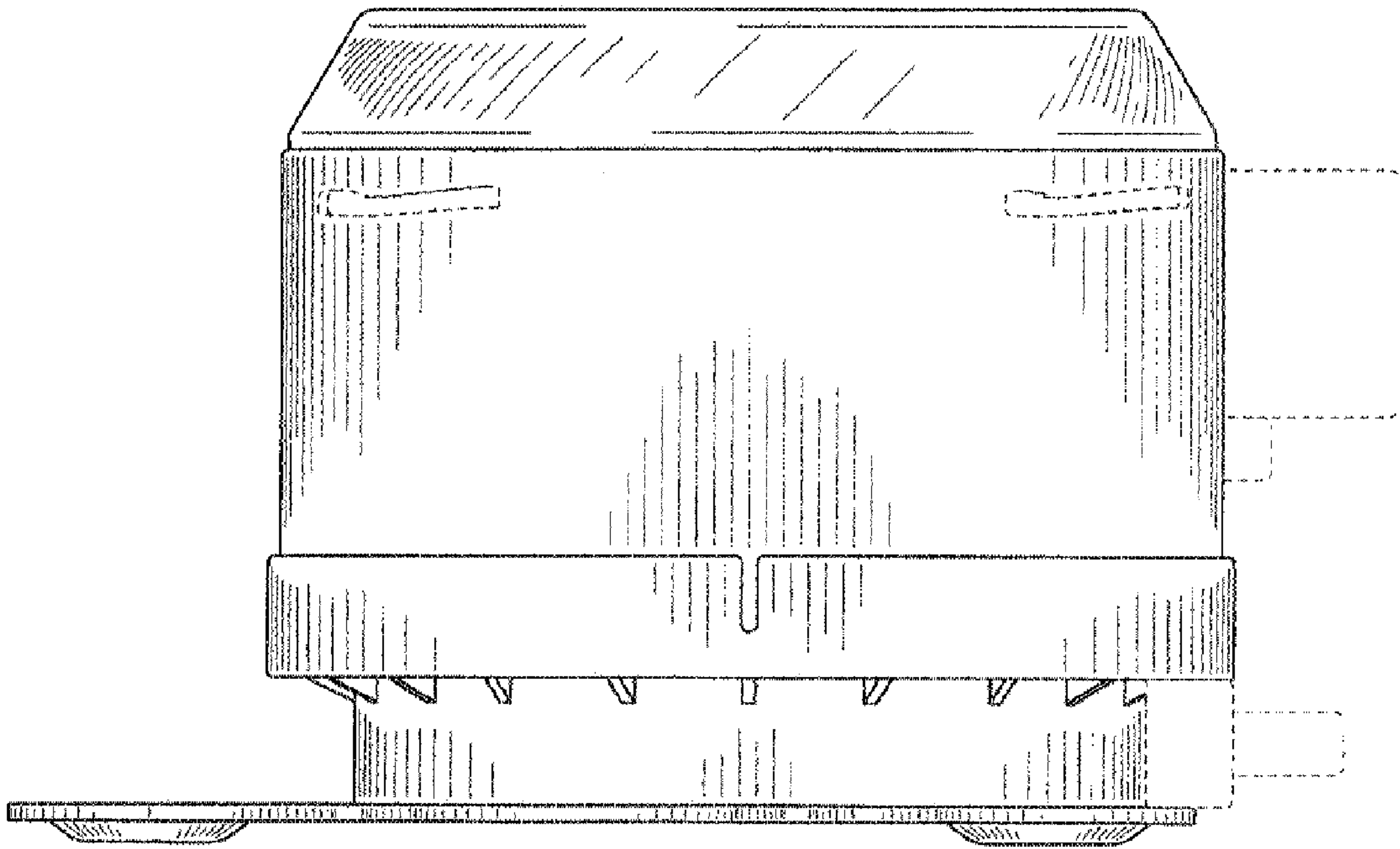


FIG. 4

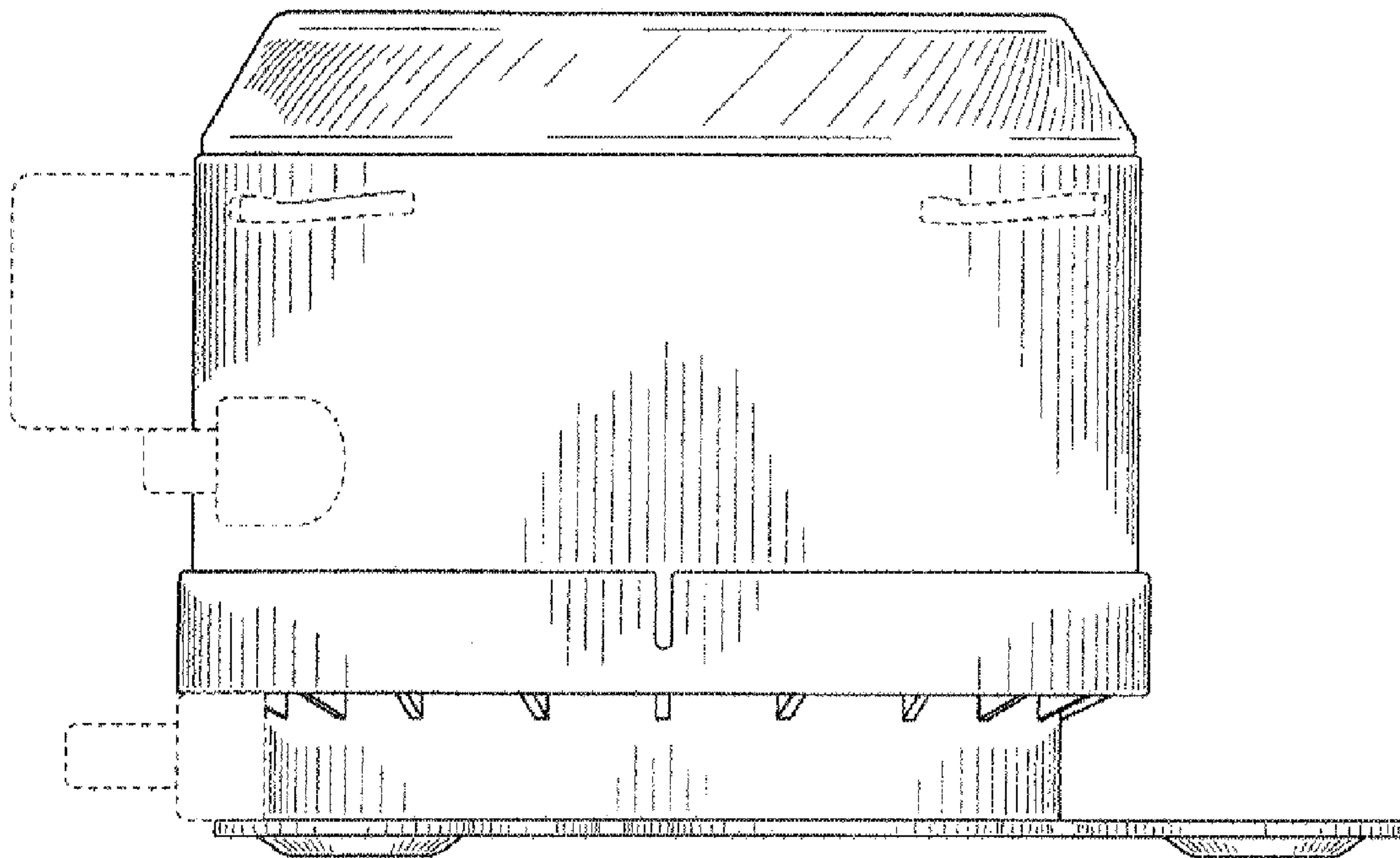


FIG. 5

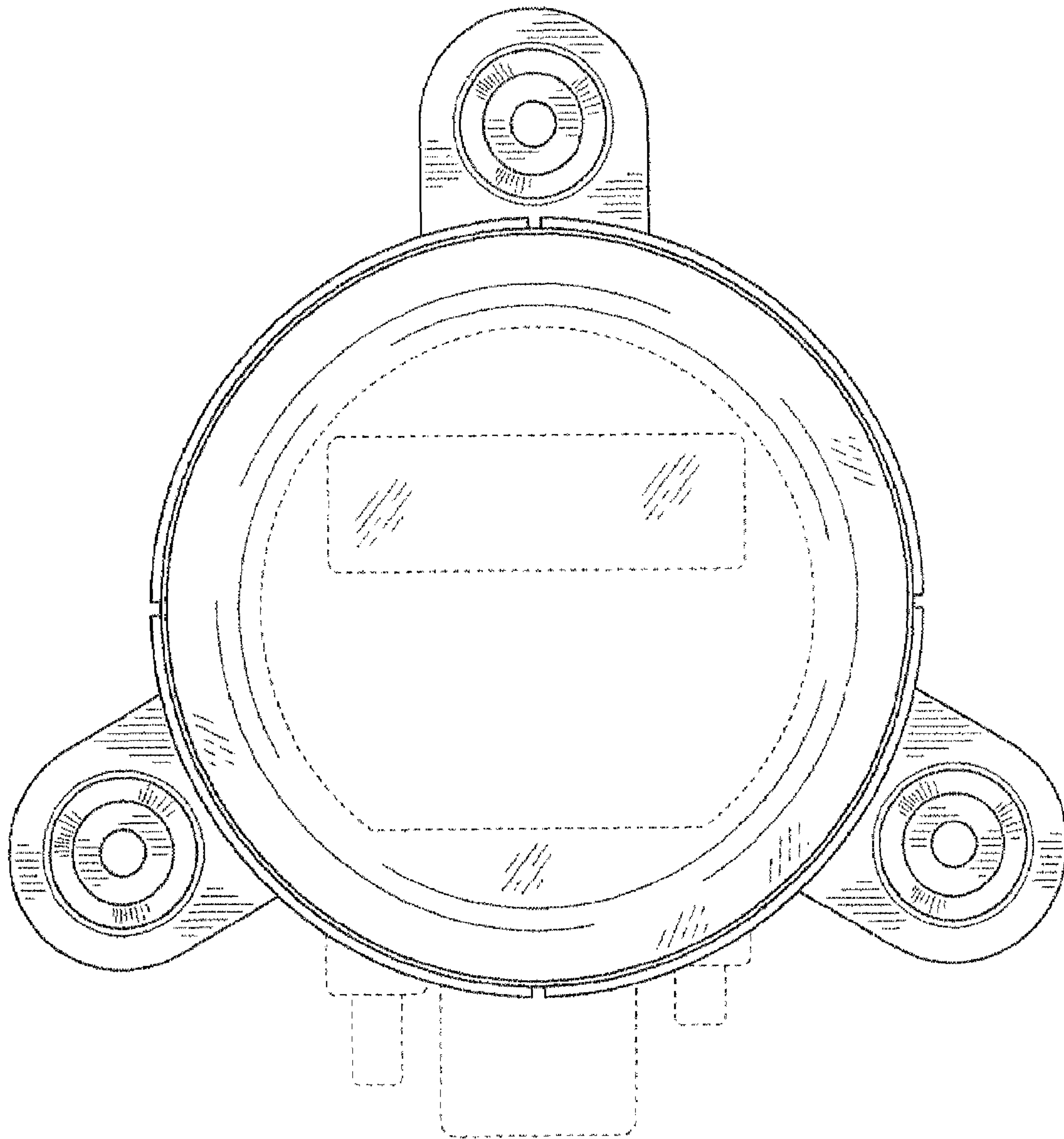


FIG. 6

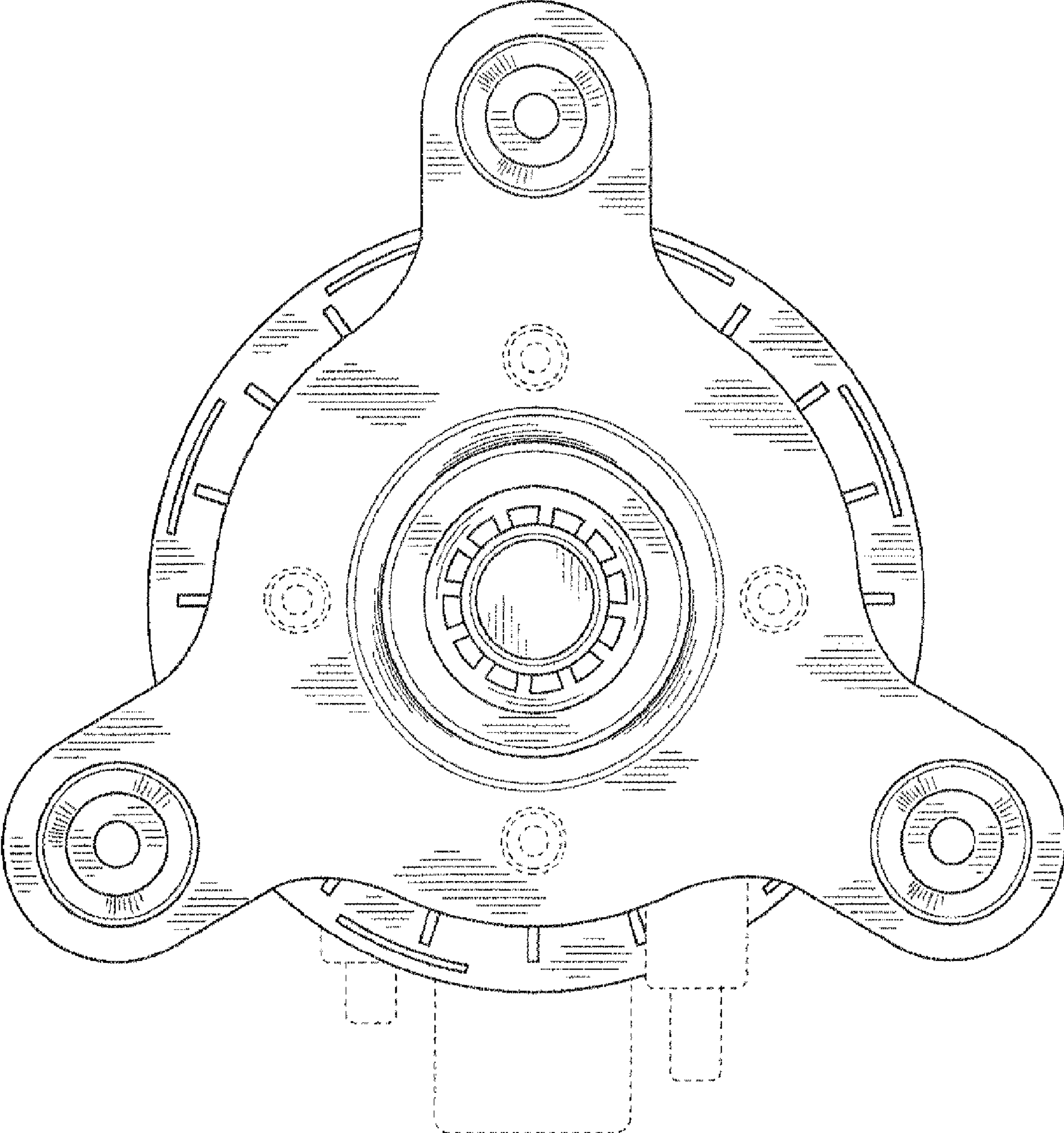


FIG. 7