



US00D560529S

(12) **United States Design Patent**
Kaushal et al.

(10) **Patent No.: US D560,529 S**
(45) **Date of Patent: ** Jan. 29, 2008**

(54) **HANDHELD DIAGNOSTIC INSTRUMENT**

(75) Inventors: **Ashwani Kaushal**, Mississauga (CA);
Duncan MacIntyre, Campbellville (CA)

(73) Assignee: **NIR Diagnostics Inc.**, Campbellville, Ontario (CA)

(**) Term: **14 Years**

(21) Appl. No.: **29/276,853**

(22) Filed: **Feb. 7, 2007**

(51) **LOC (8) Cl.** **10-04**

(52) **U.S. Cl.** **D10/78; D10/81**

(58) **Field of Classification Search** D10/78,
D10/81; 356/128-137, 243.1, 146, 300
See application file for complete search history.

(56) **References Cited**

U.S. PATENT DOCUMENTS

D399,774 S * 10/1998 Noble D10/78

* cited by examiner

Primary Examiner—Antoine D. Davis

(74) *Attorney, Agent, or Firm*—Hovey Williams LLP

(57) **CLAIM**

The ornamental design for a handheld diagnostic instrument, as shown and described.

DESCRIPTION

FIG. 1 is a perspective view of the front of the handheld diagnostic instrument in open position;

FIG. 2 is a front elevational view of the handheld diagnostic instrument shown in FIG. 1;

FIG. 3 is a rear elevational view of the handheld diagnostic instrument shown in FIG. 1;

FIG. 4 is a left side elevational view of the handheld diagnostic instrument shown in FIG. 1;

FIG. 5 is a right side elevational view of the handheld diagnostic instrument shown in FIG. 1;

FIG. 6 is a top plan view of the handheld diagnostic instrument shown in FIG. 1;

FIG. 7 is a bottom plan view of the handheld diagnostic instrument shown in FIG. 1;

FIG. 8 is a perspective view of the back of the handheld diagnostic instrument shown in FIG. 1;

FIG. 9 is a perspective view of the front of the handheld diagnostic instrument in closed position;

FIG. 10 is a front elevational view of the handheld diagnostic instrument shown in FIG. 9;

FIG. 11 is a rear elevational view of the handheld diagnostic instrument shown in FIG. 9;

FIG. 12 is a left side elevational view of the handheld diagnostic instrument shown in FIG. 9;

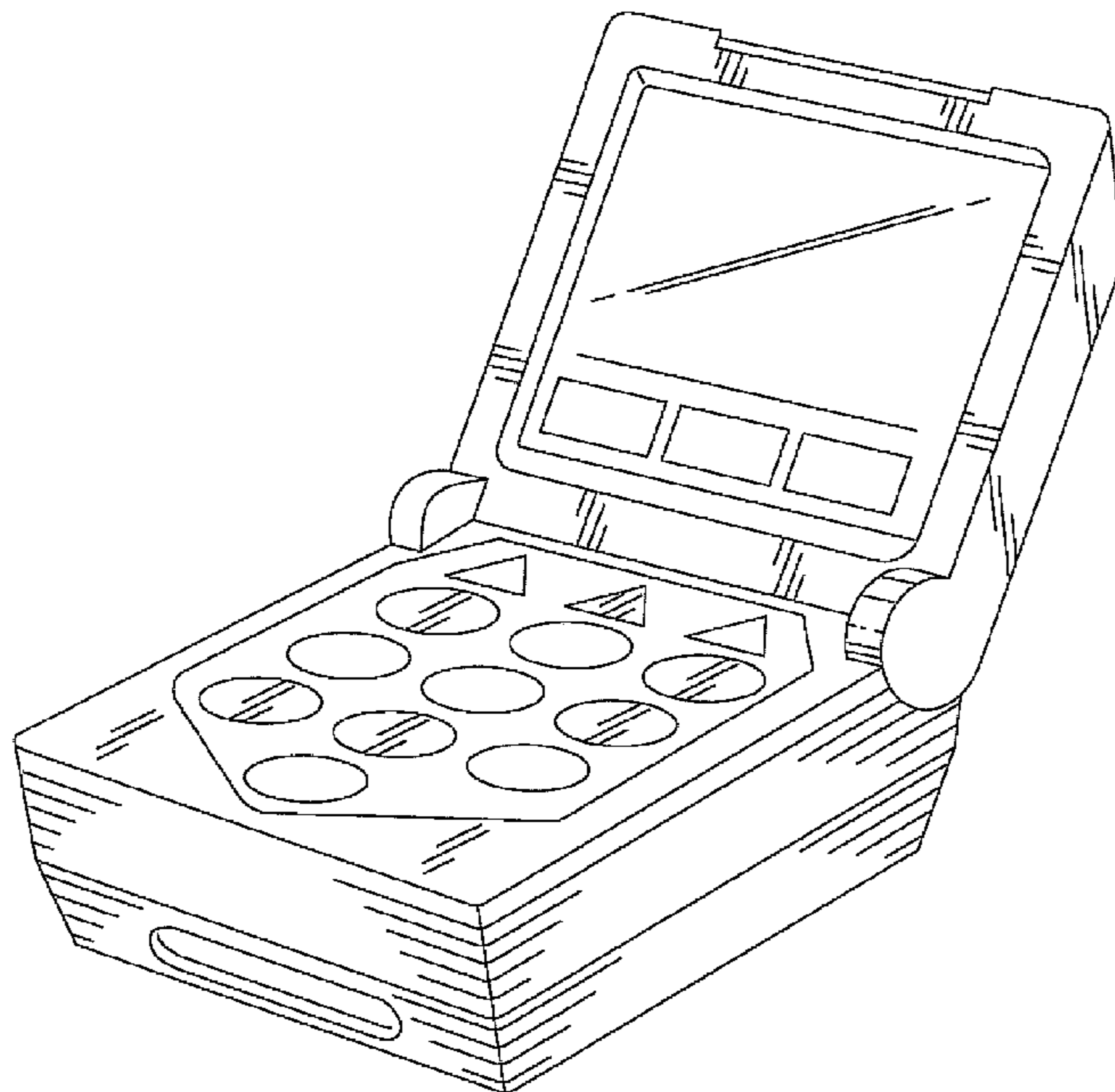
FIG. 13 is a right side elevational view of the handheld diagnostic instrument shown in FIG. 9;

FIG. 14 is a top plan view of the handheld diagnostic instrument shown in FIG. 9;

FIG. 15 is a bottom plan view of the handheld diagnostic instrument shown in FIG. 9; and,

FIG. 16 is a perspective view of the back of the handheld diagnostic instrument shown in FIG. 9.

1 Claim, 9 Drawing Sheets



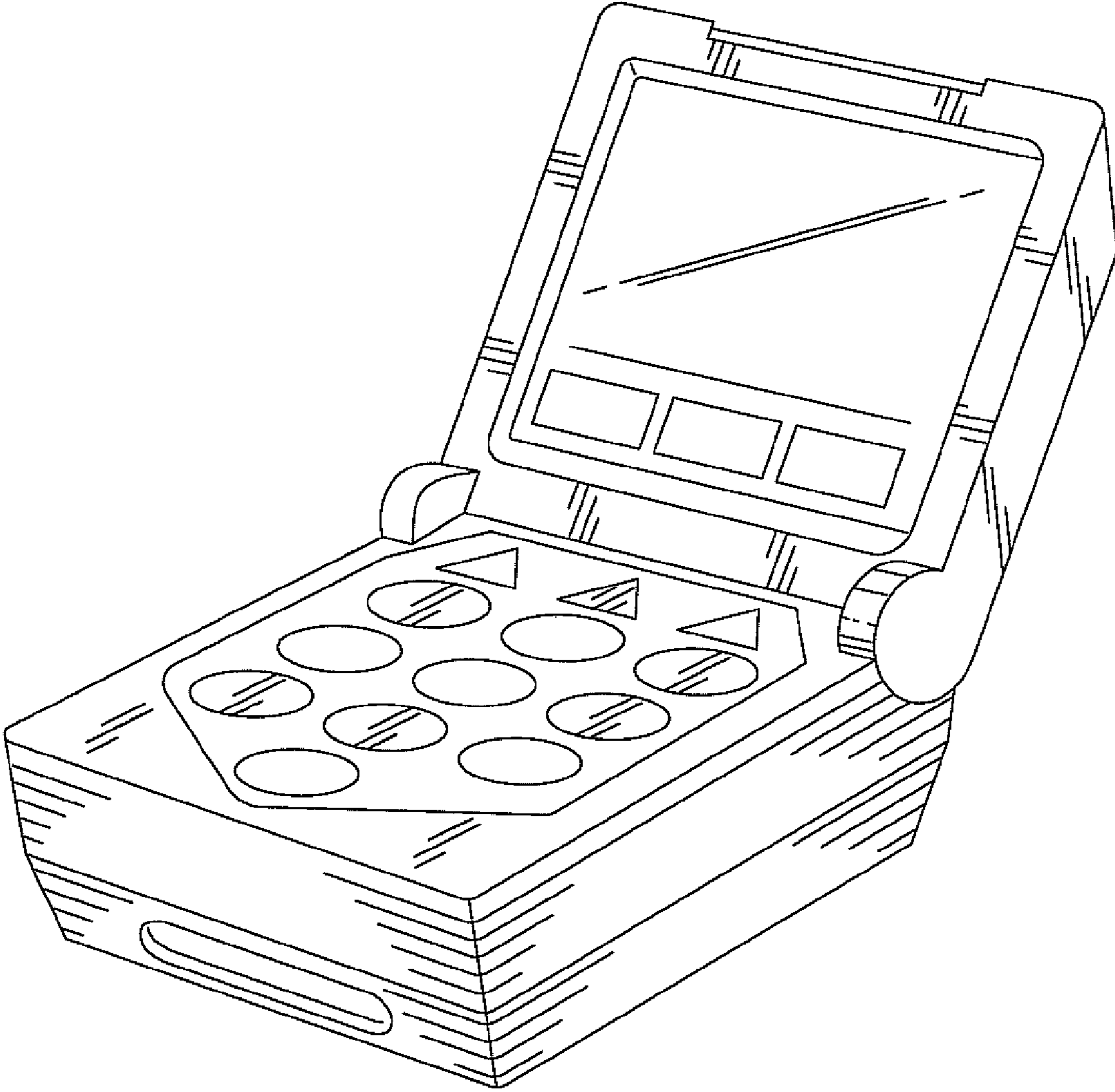


FIG. 1

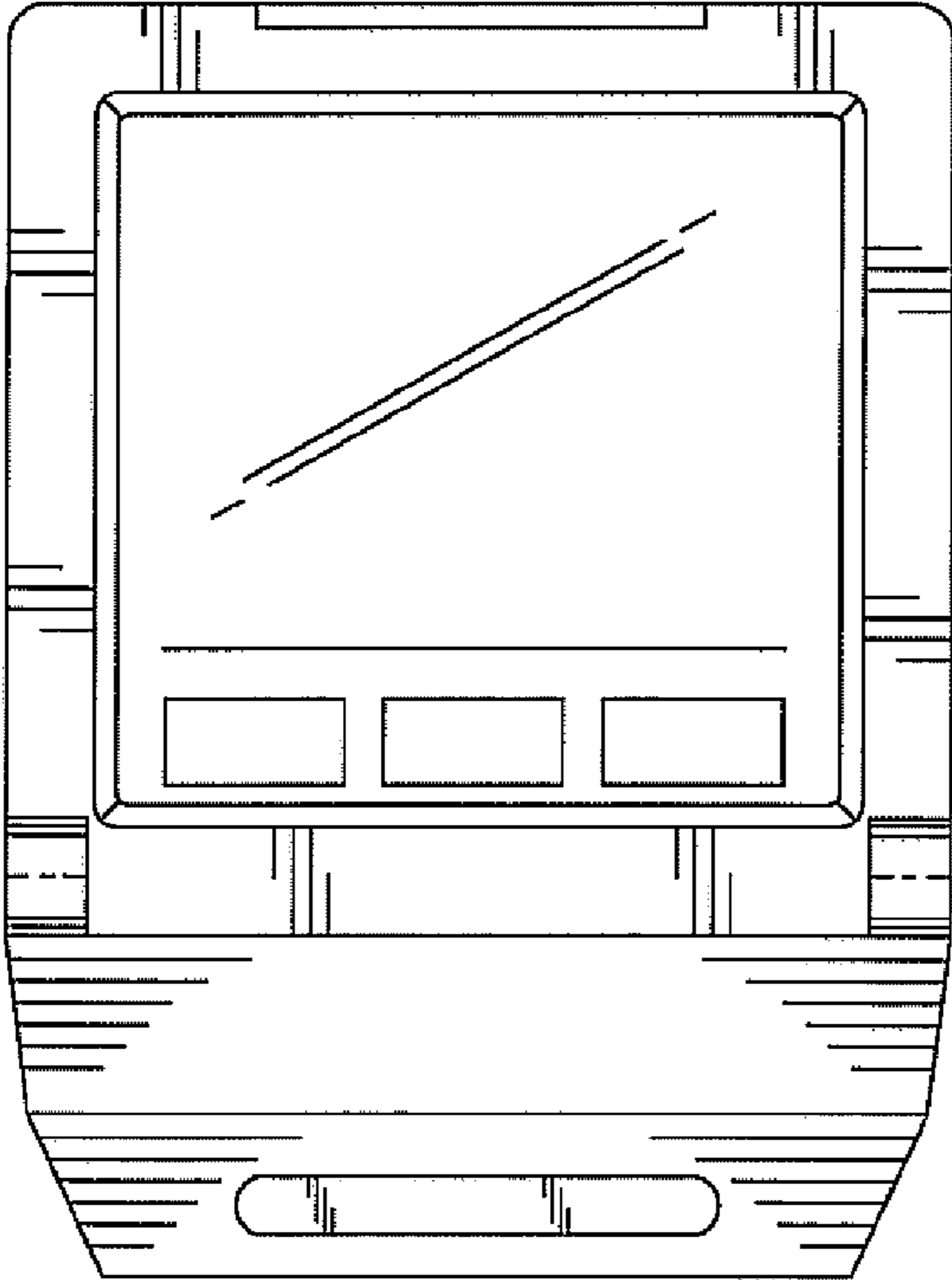


FIG. 2

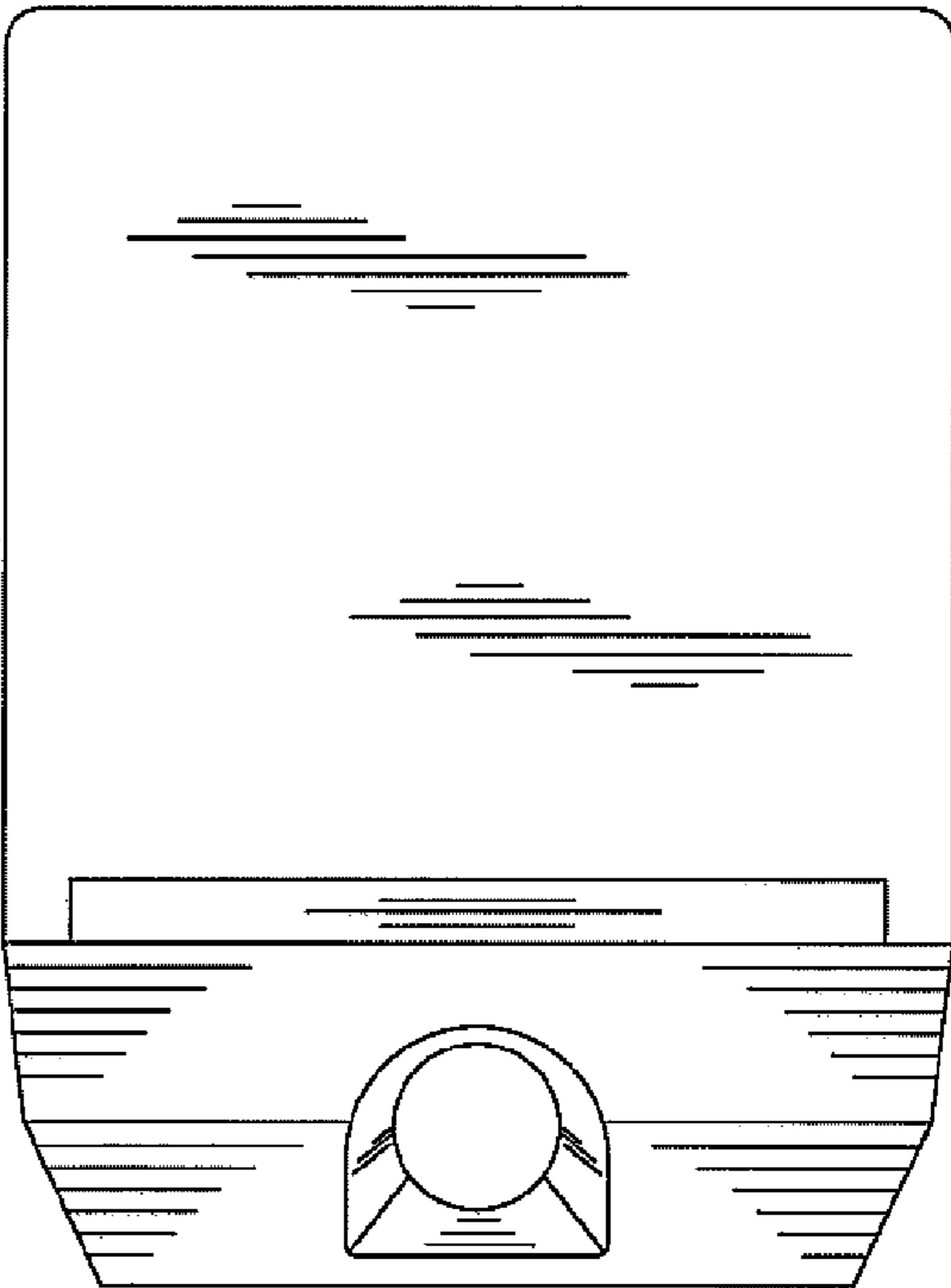


FIG. 3

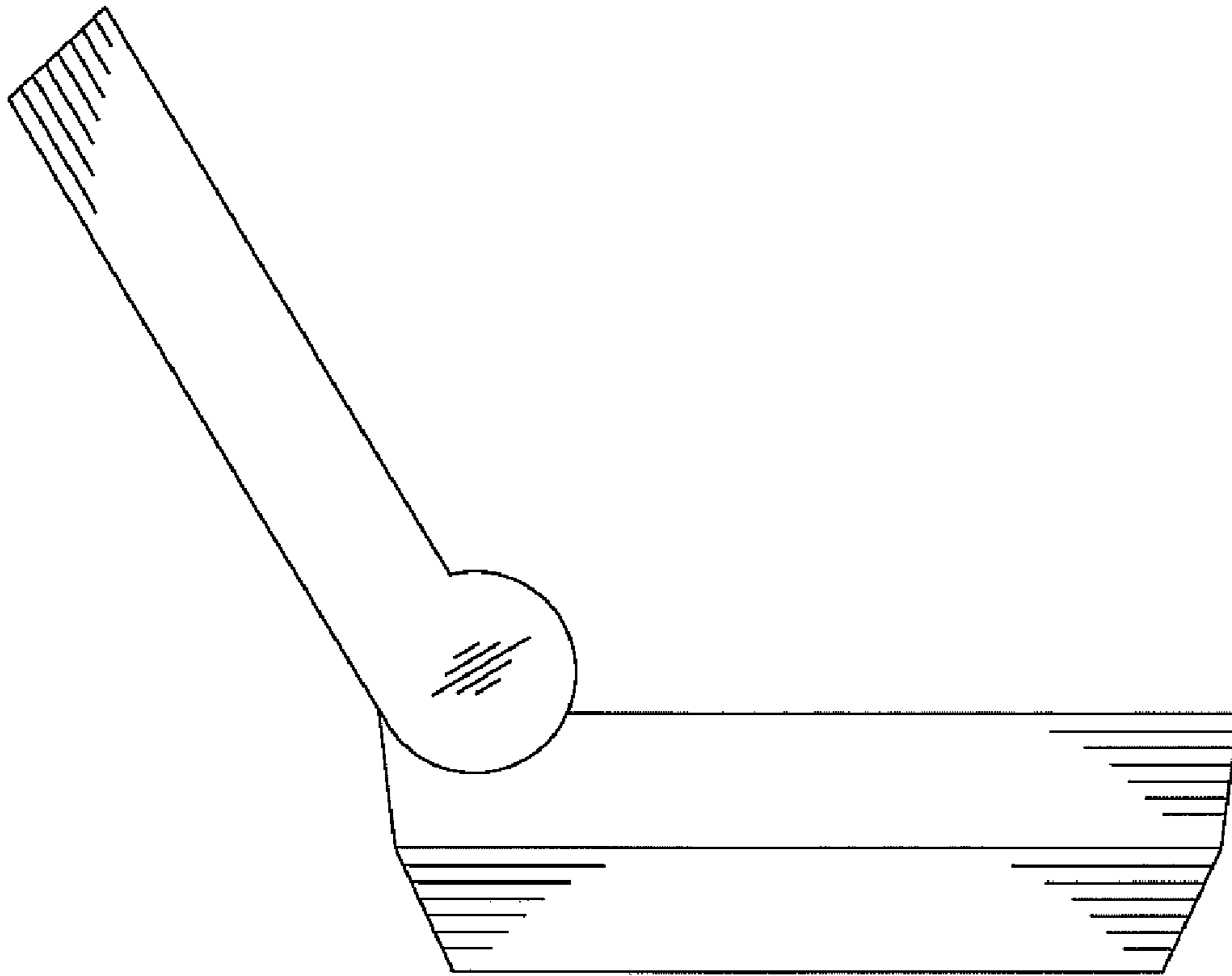


FIG. 4

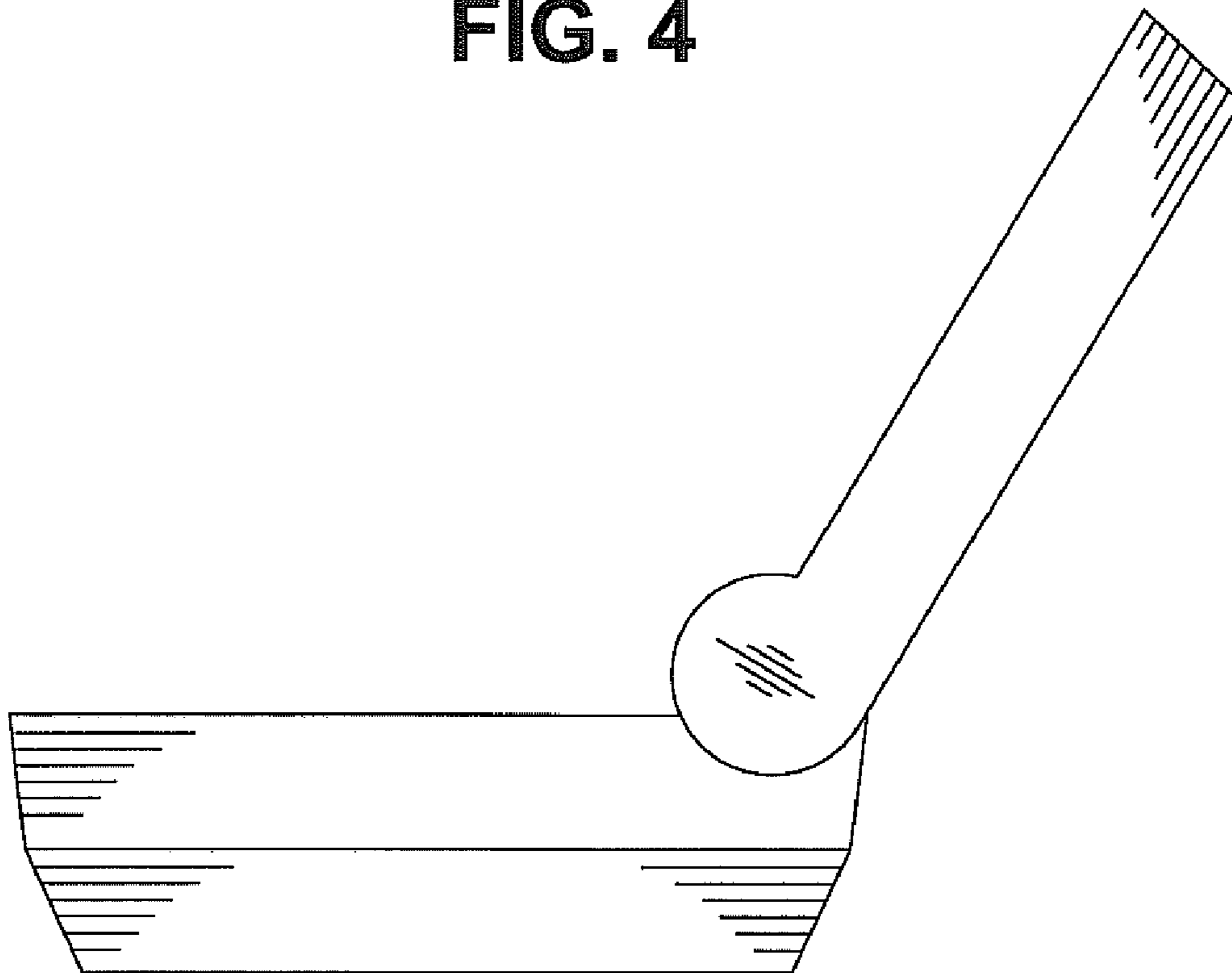


FIG. 5

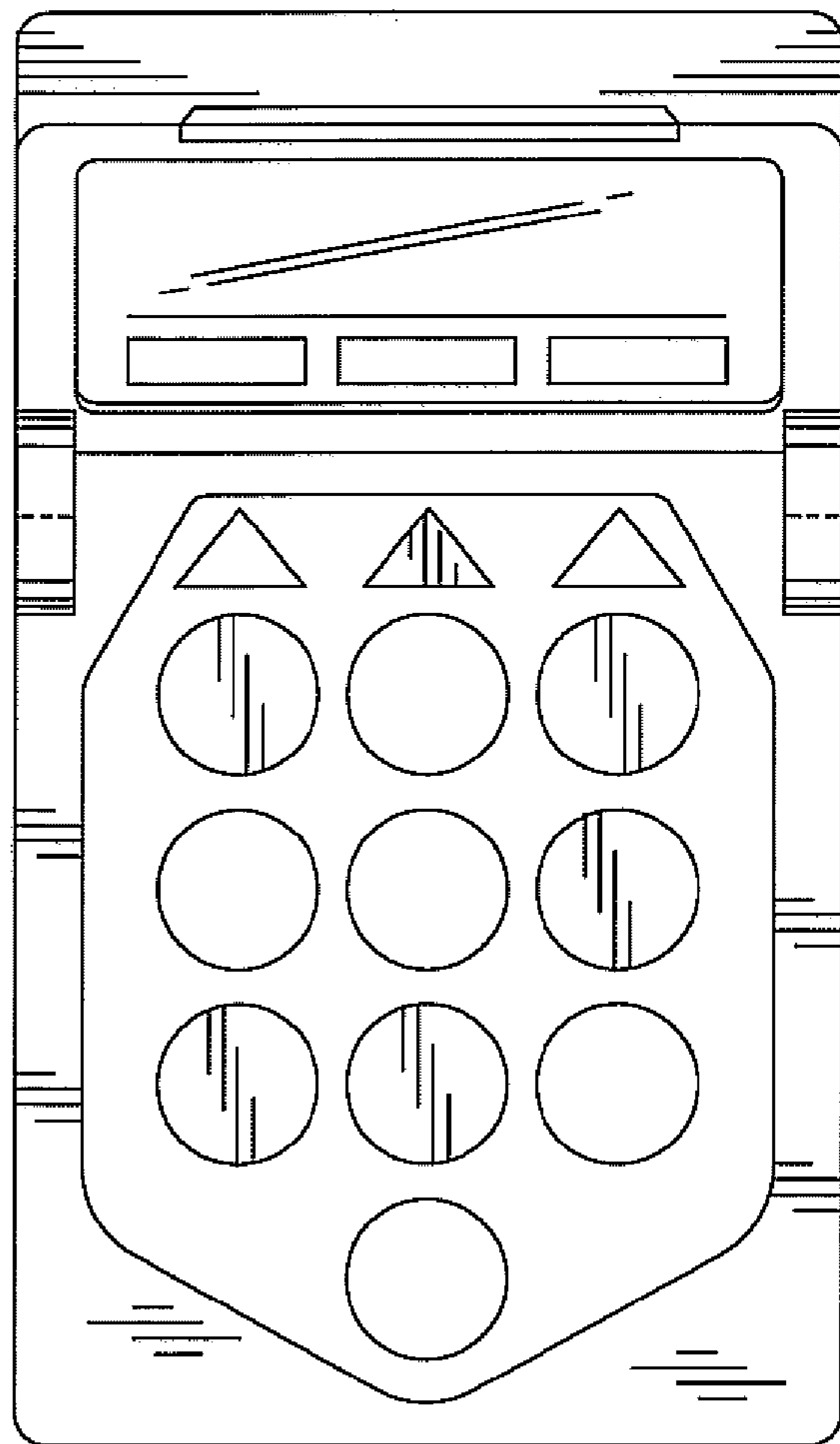


FIG. 6

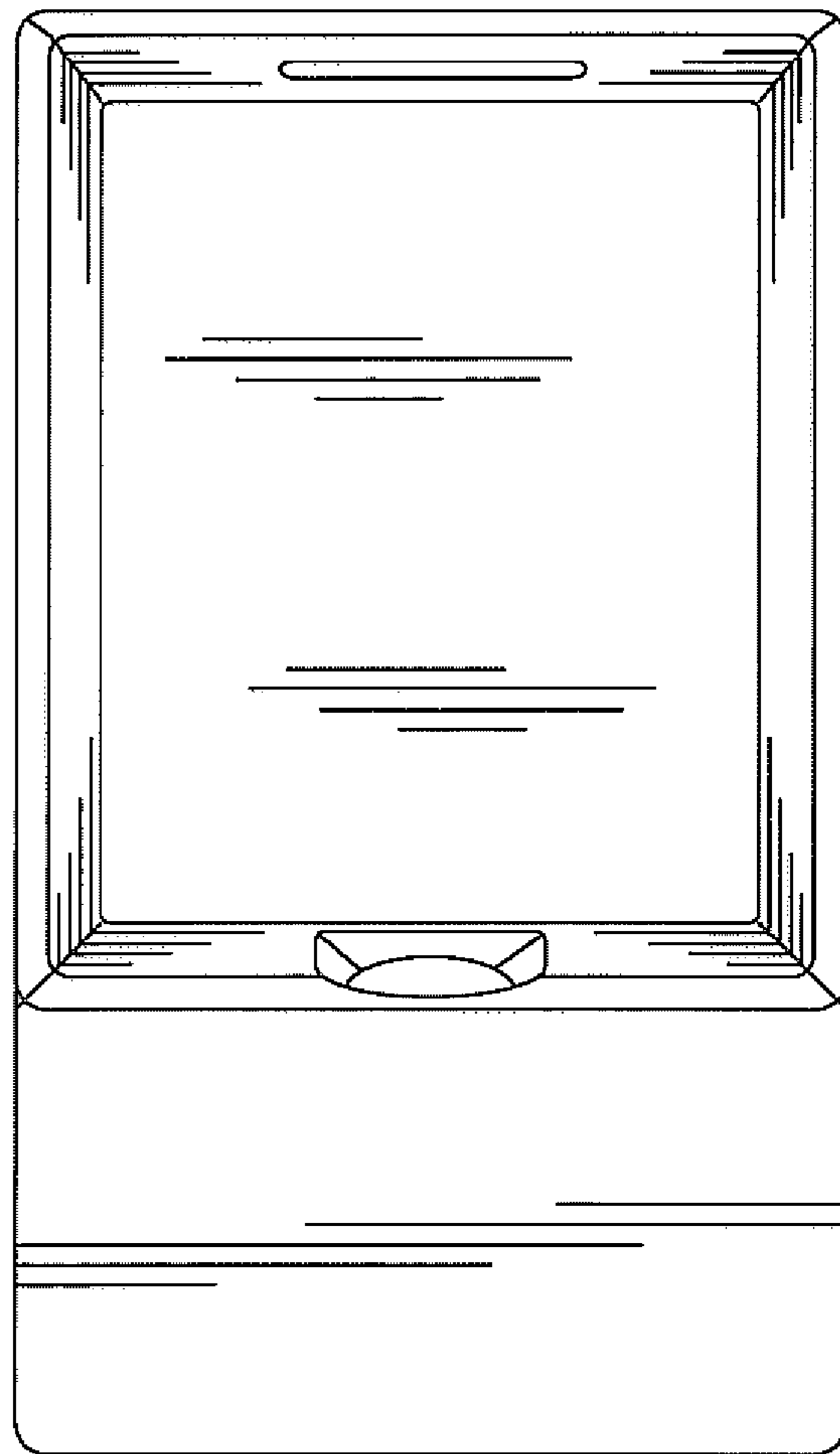


FIG. 7

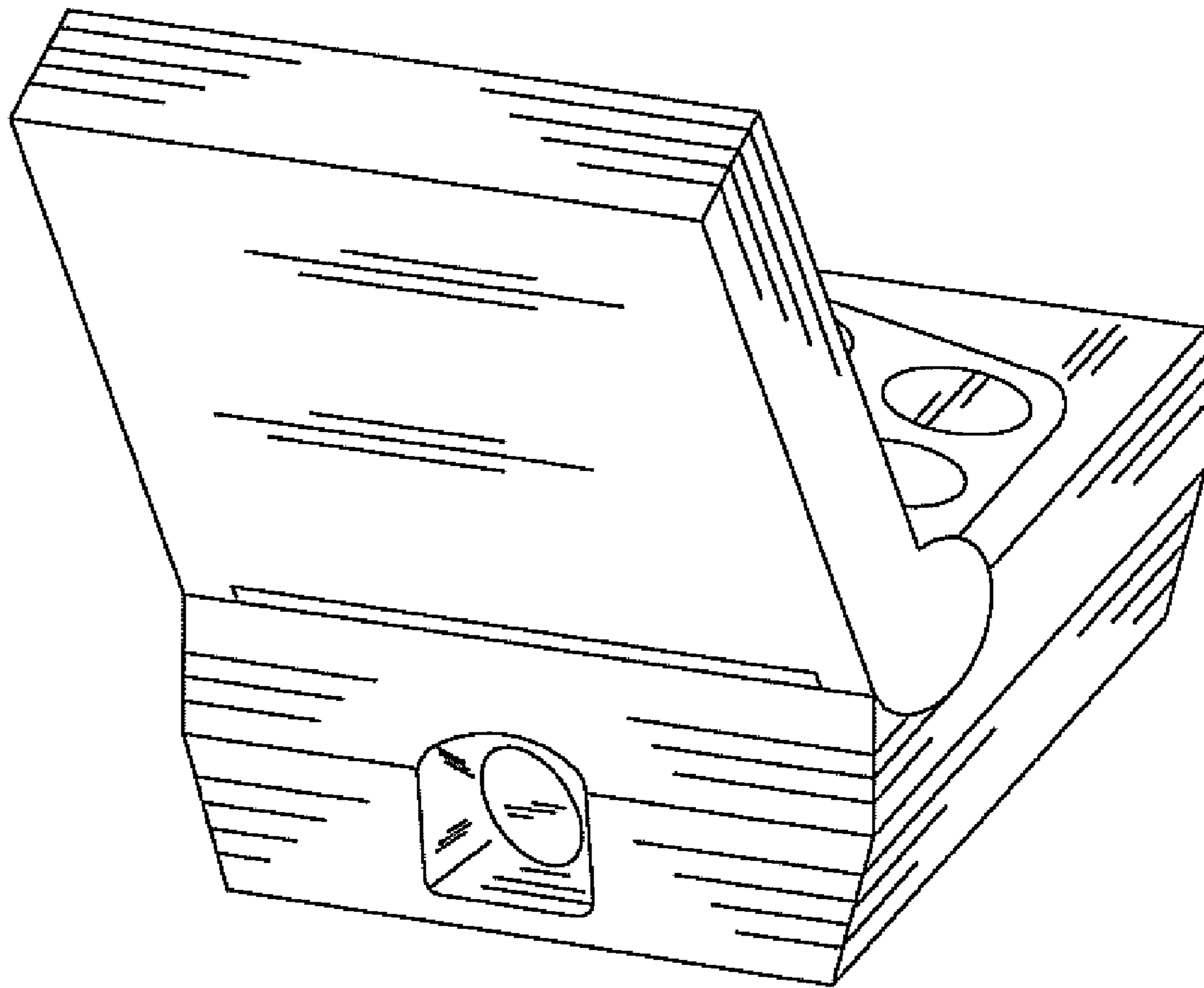


FIG. 8

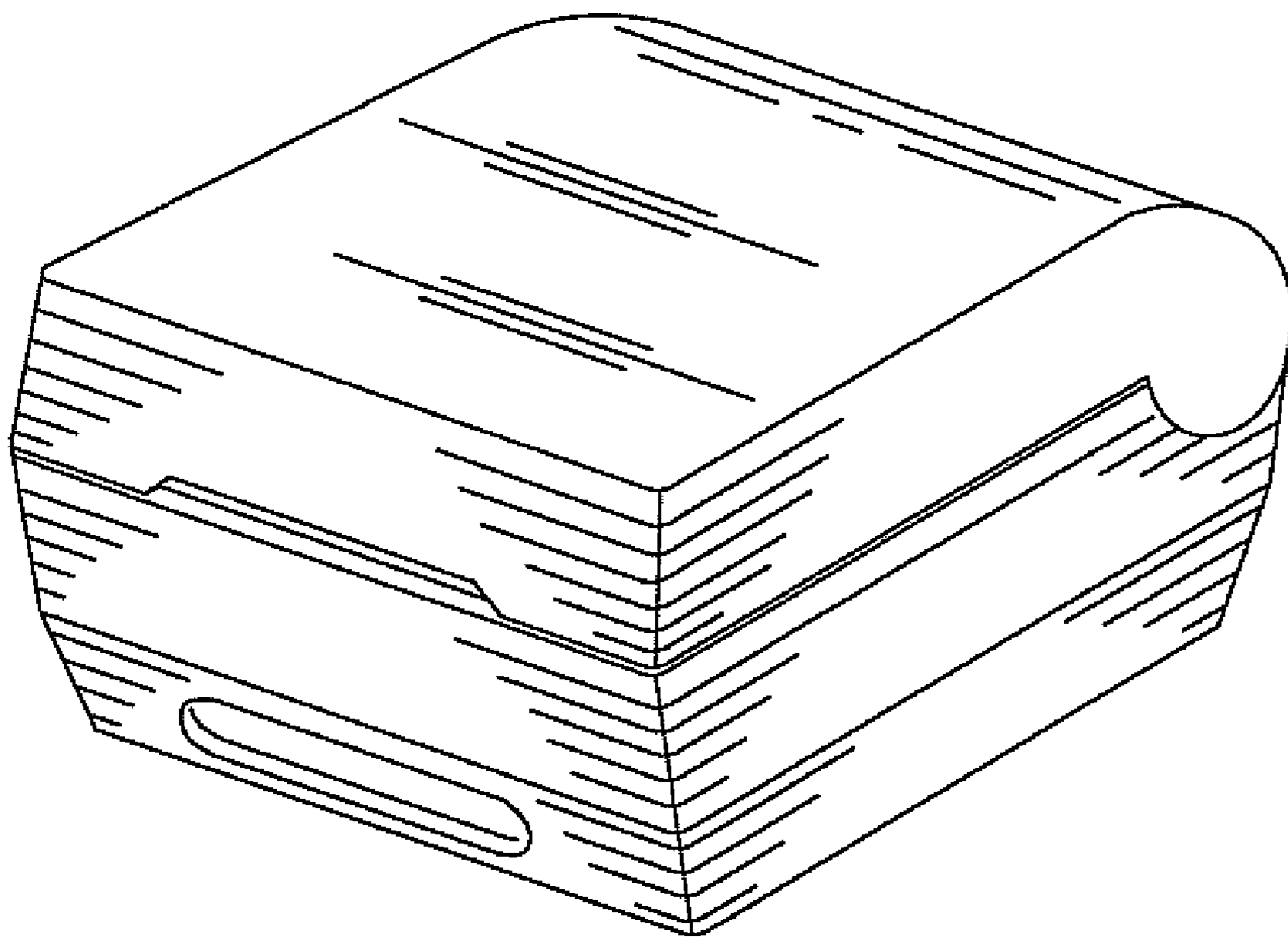


FIG. 9

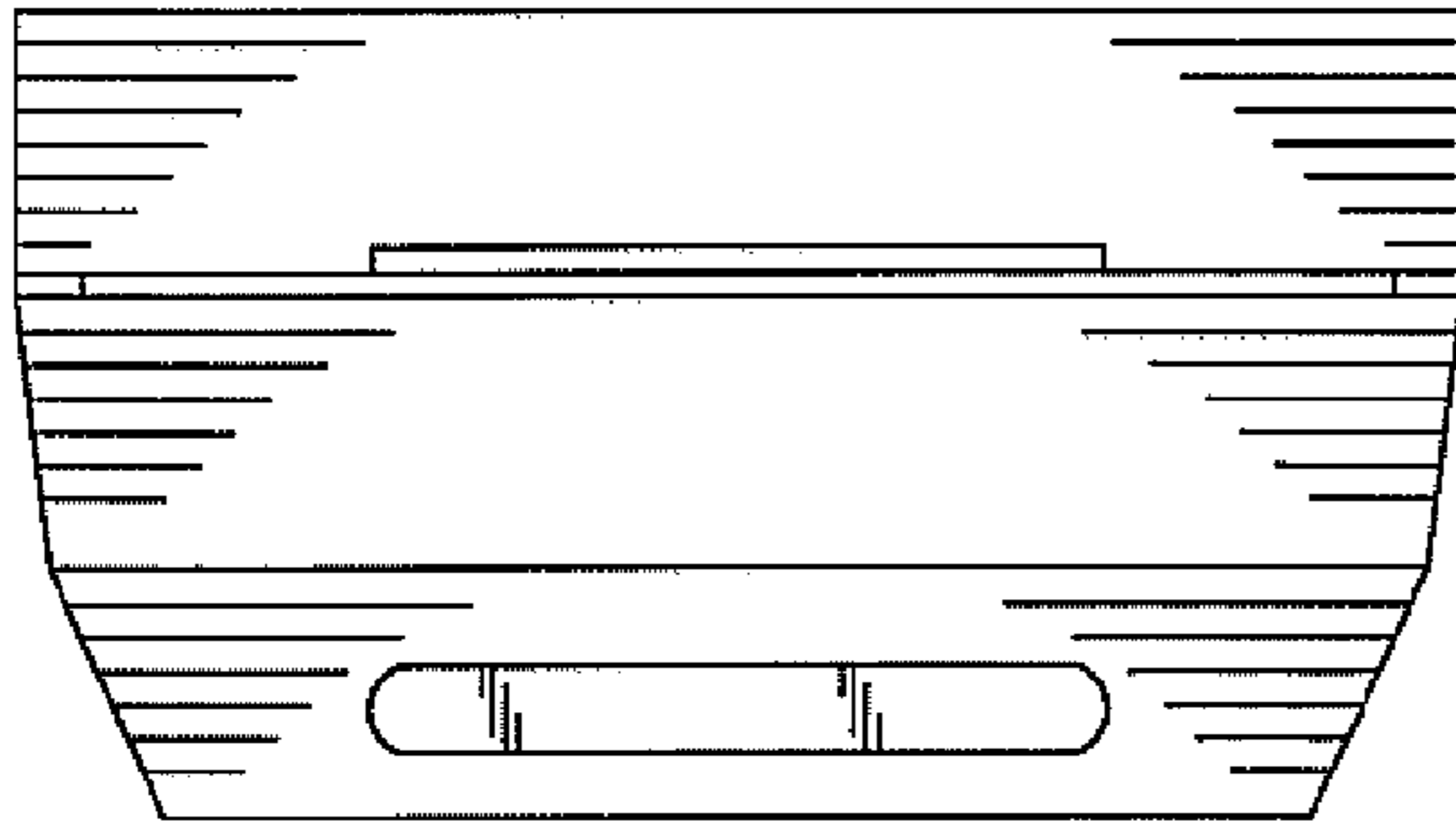


FIG. 10

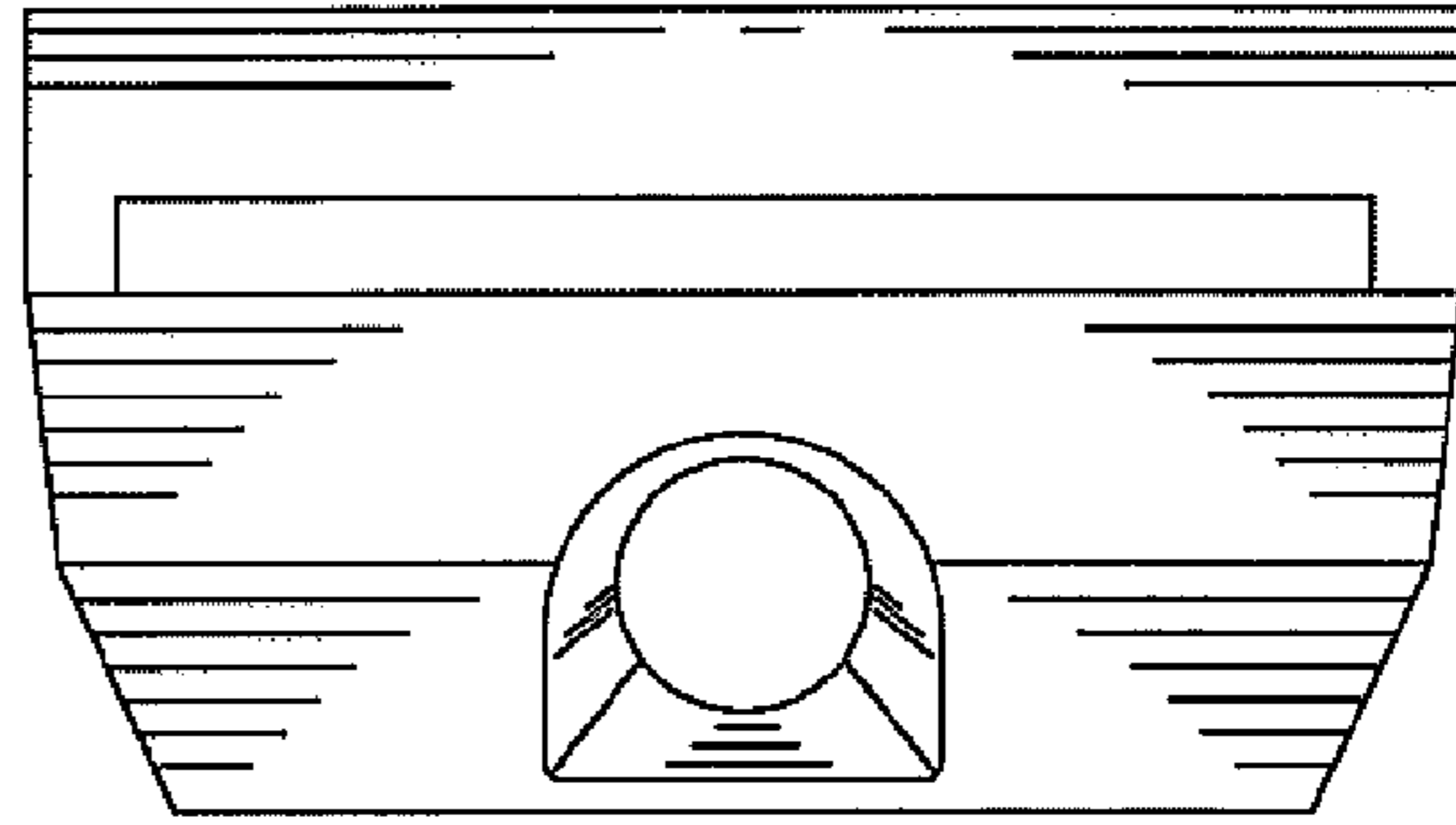


FIG. 11

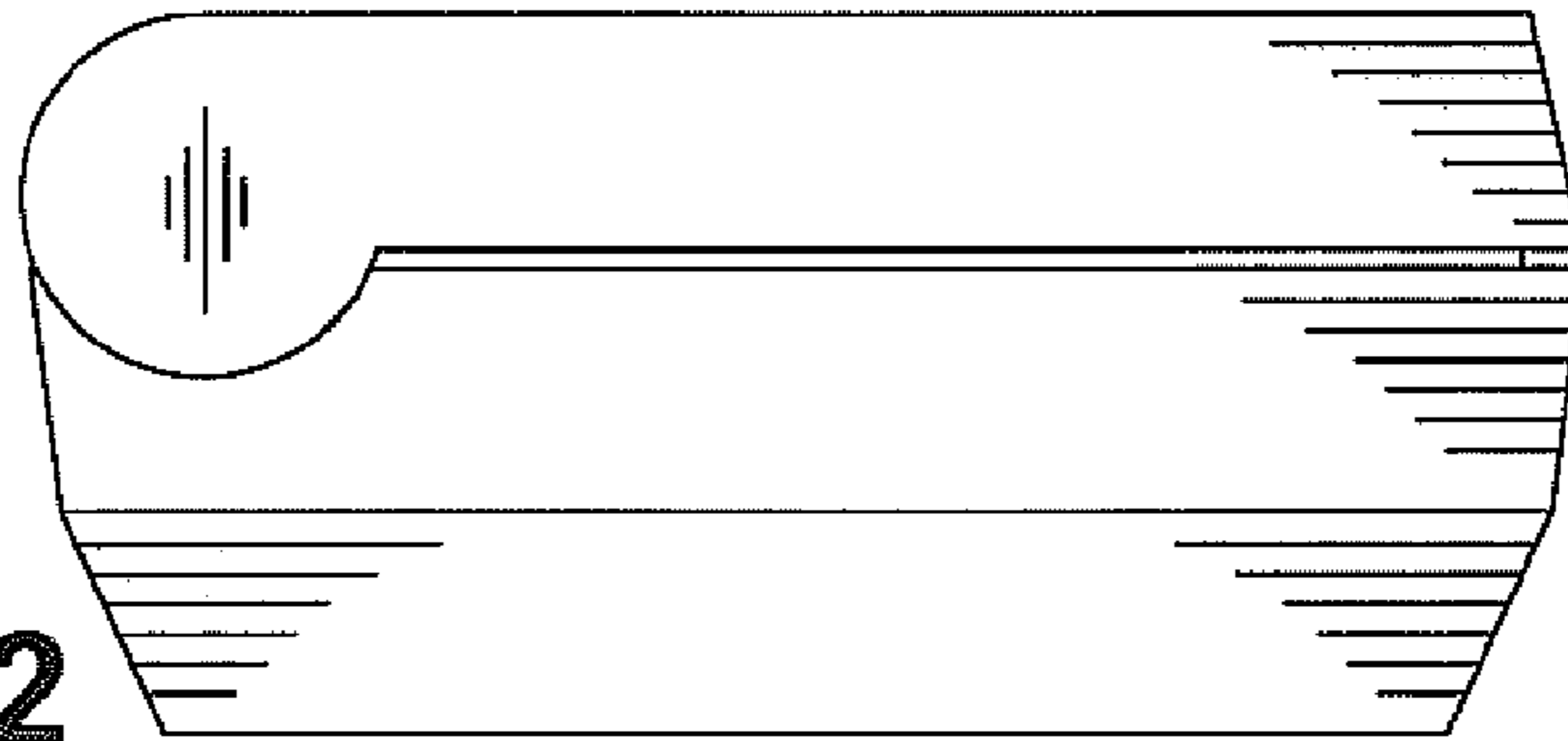


FIG. 12

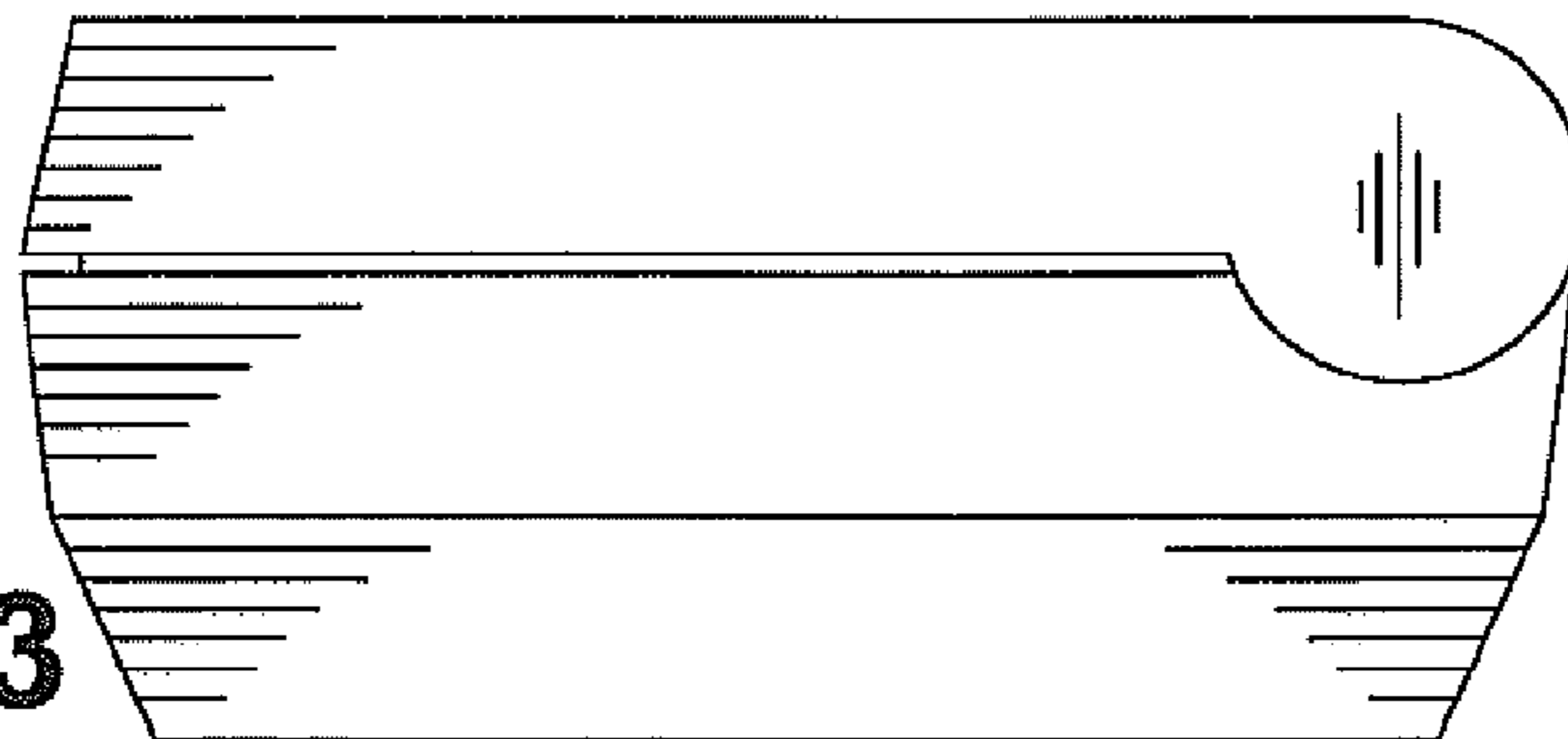


FIG. 13

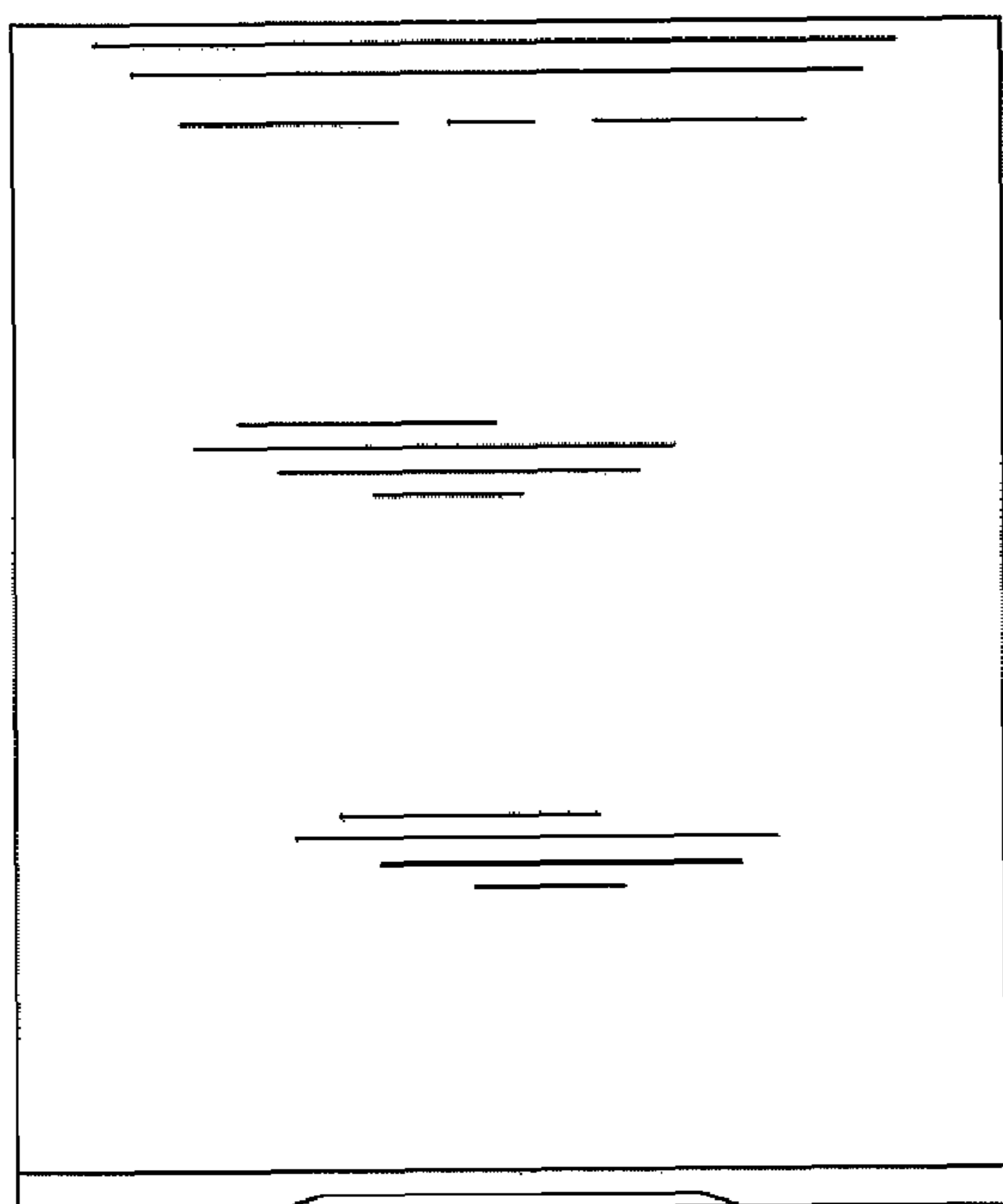


FIG. 14

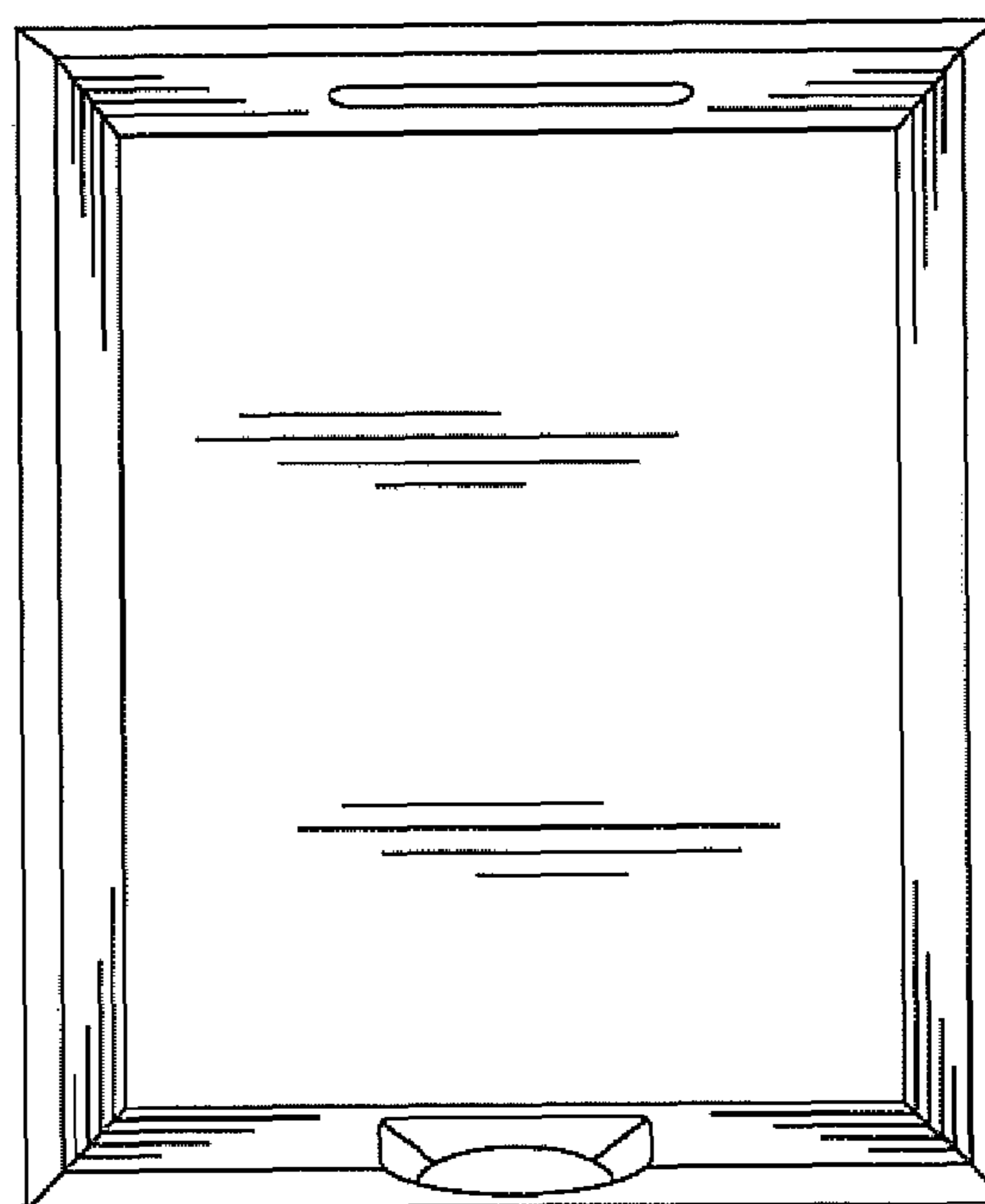


FIG. 15

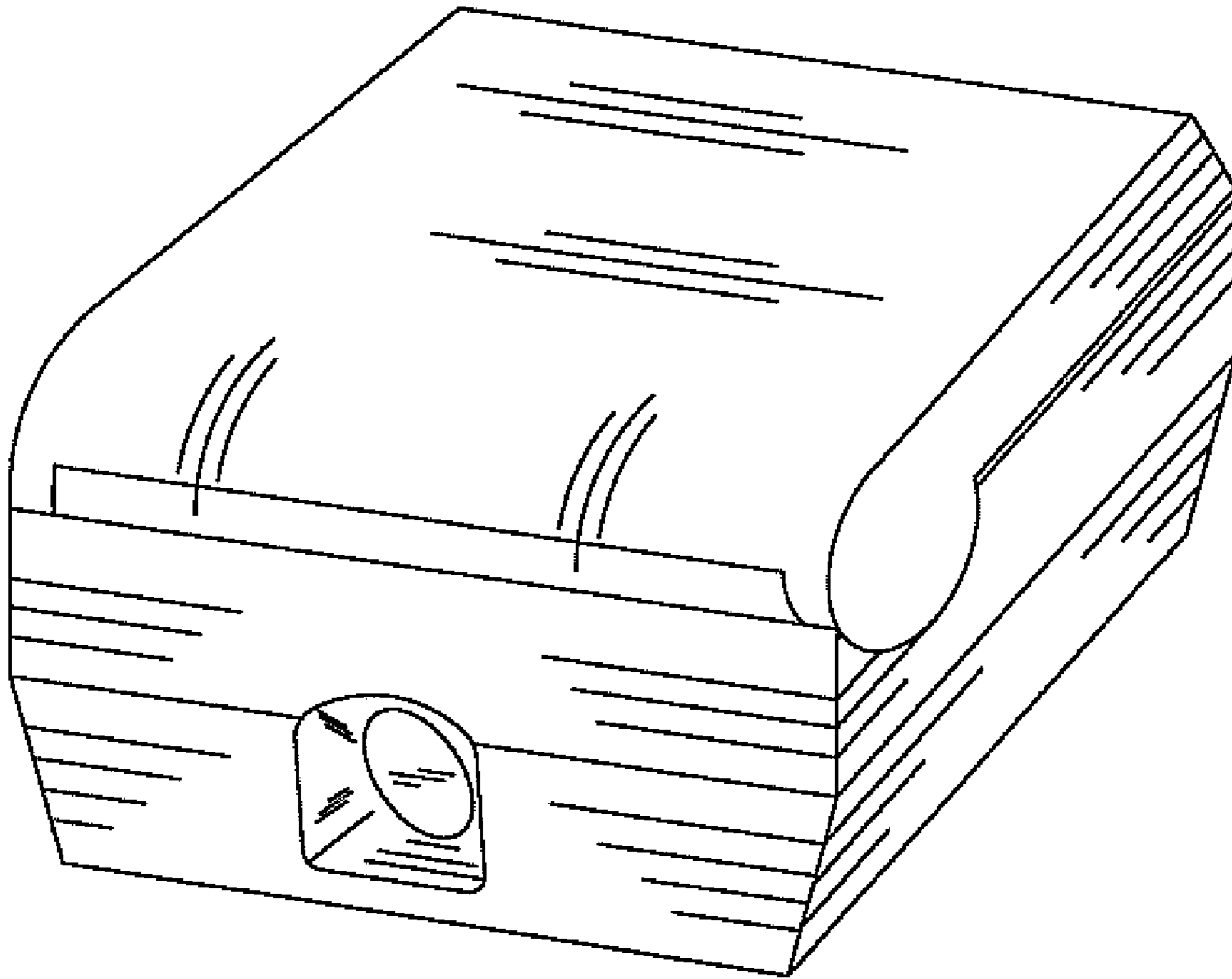


FIG. 16