



US00D560528S

(12) **United States Design Patent**
Chen

(10) **Patent No.:** **US D560,528 S**

(45) **Date of Patent:** **** Jan. 29, 2008**

(54) **HIGH-FREQUENCY ELECTROMAGNETIC
WAVE DETECTOR**

(76) Inventor: **Li-Chuan Chen**, 7th Fl., No. 31, Lane
513, Ruikwang Rd., Taipei (TW)

(**) Term: **14 Years**

(21) Appl. No.: **29/270,507**

(22) Filed: **Dec. 27, 2006**

(51) **LOC (8) Cl.** **10-04**

(52) **U.S. Cl.** **D10/78**

(58) **Field of Classification Search** D10/78;
219/10.55 B, 10.55 F, 10.55 E; 250/214.1,
250/208.1; 257/222, 59, 27.111, 27.14
See application file for complete search history.

(56) **References Cited**

U.S. PATENT DOCUMENTS

D497,817 S * 11/2004 Lord D10/78

D518,397 S * 4/2006 Sydlowski et al. D10/78

D520,888 S * 5/2006 Sydlowski et al. D10/78
* cited by examiner

Primary Examiner—Antoine D. Davis
(74) *Attorney, Agent, or Firm*—Rabin & Berdo, P.C.

(57) **CLAIM**

The ornamental design for a high-frequency electromagnetic wave detector, as shown and described.

DESCRIPTION

FIG. 1 is a perspective view of a high-frequency electromagnetic wave detector showing my new design;

FIG. 2 is a front view thereof;

FIG. 3 is a rear view thereof;

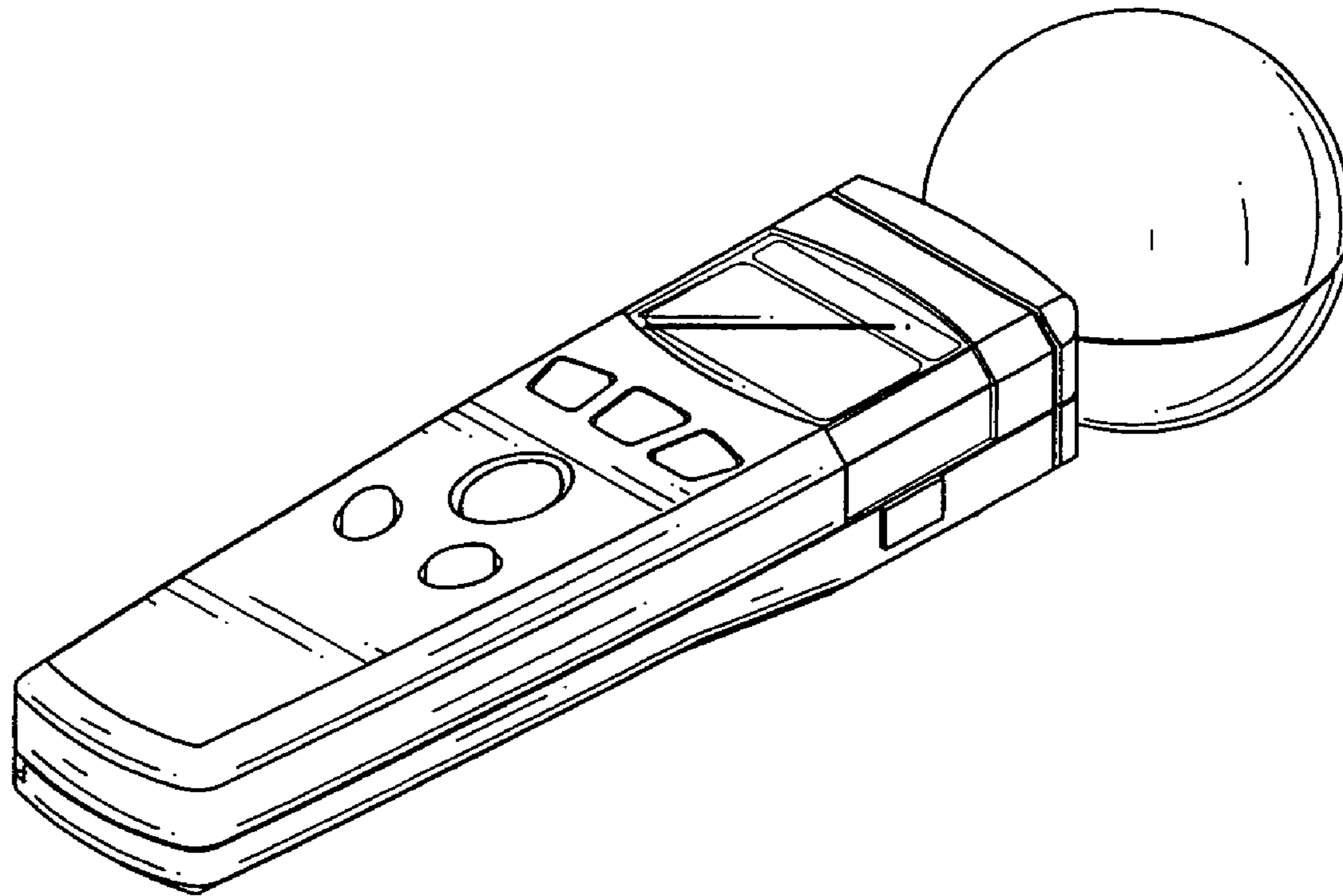
FIG. 4 is a left side view thereof showing a ball-shaped shell formed integrally with a rectangular-like box;

FIG. 5 is a right side view thereof;

FIG. 6 is top view thereof; and,

FIG. 7 is a bottom view thereof.

1 Claim, 7 Drawing Sheets



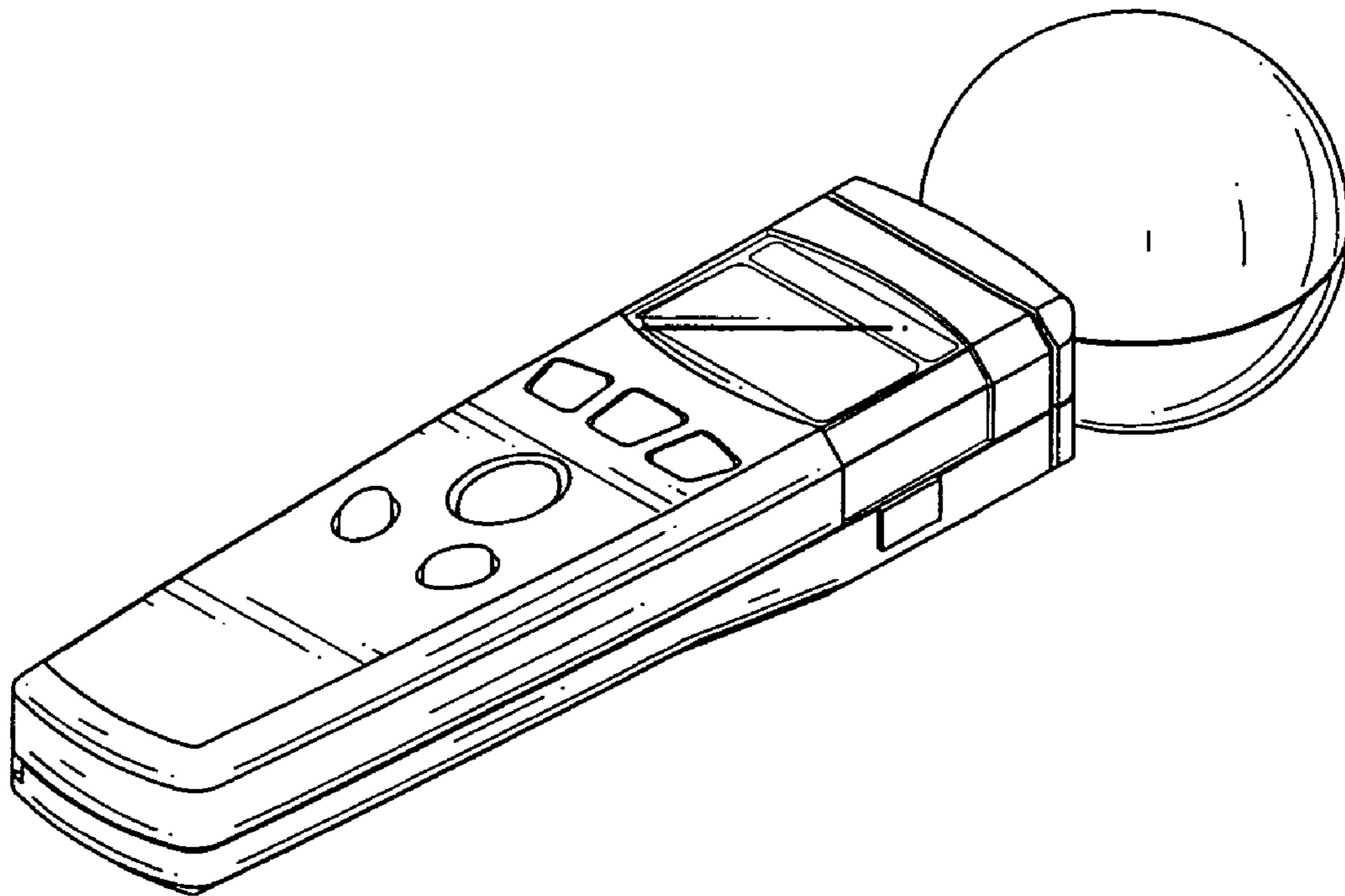


FIG.1

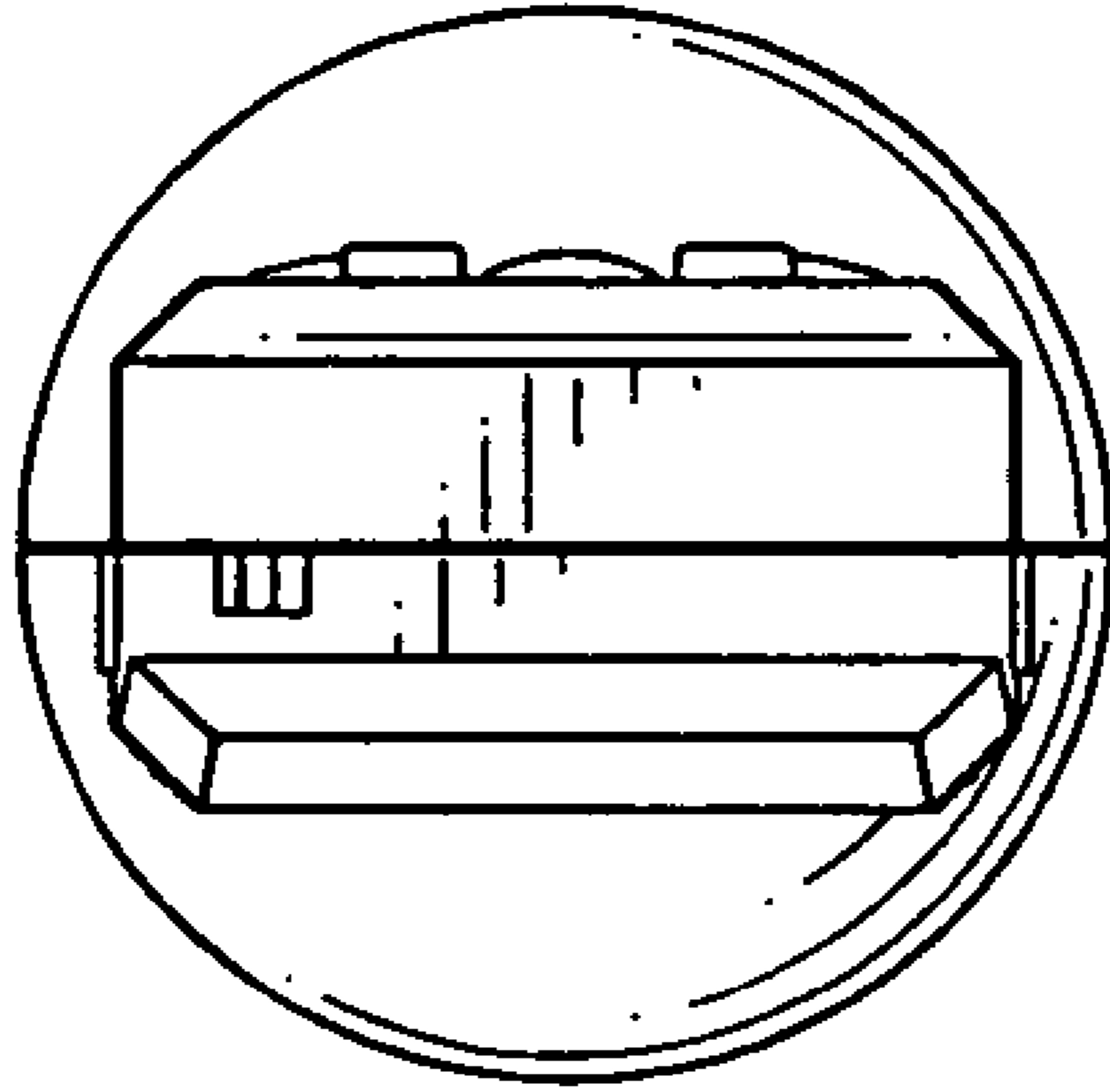


FIG. 2

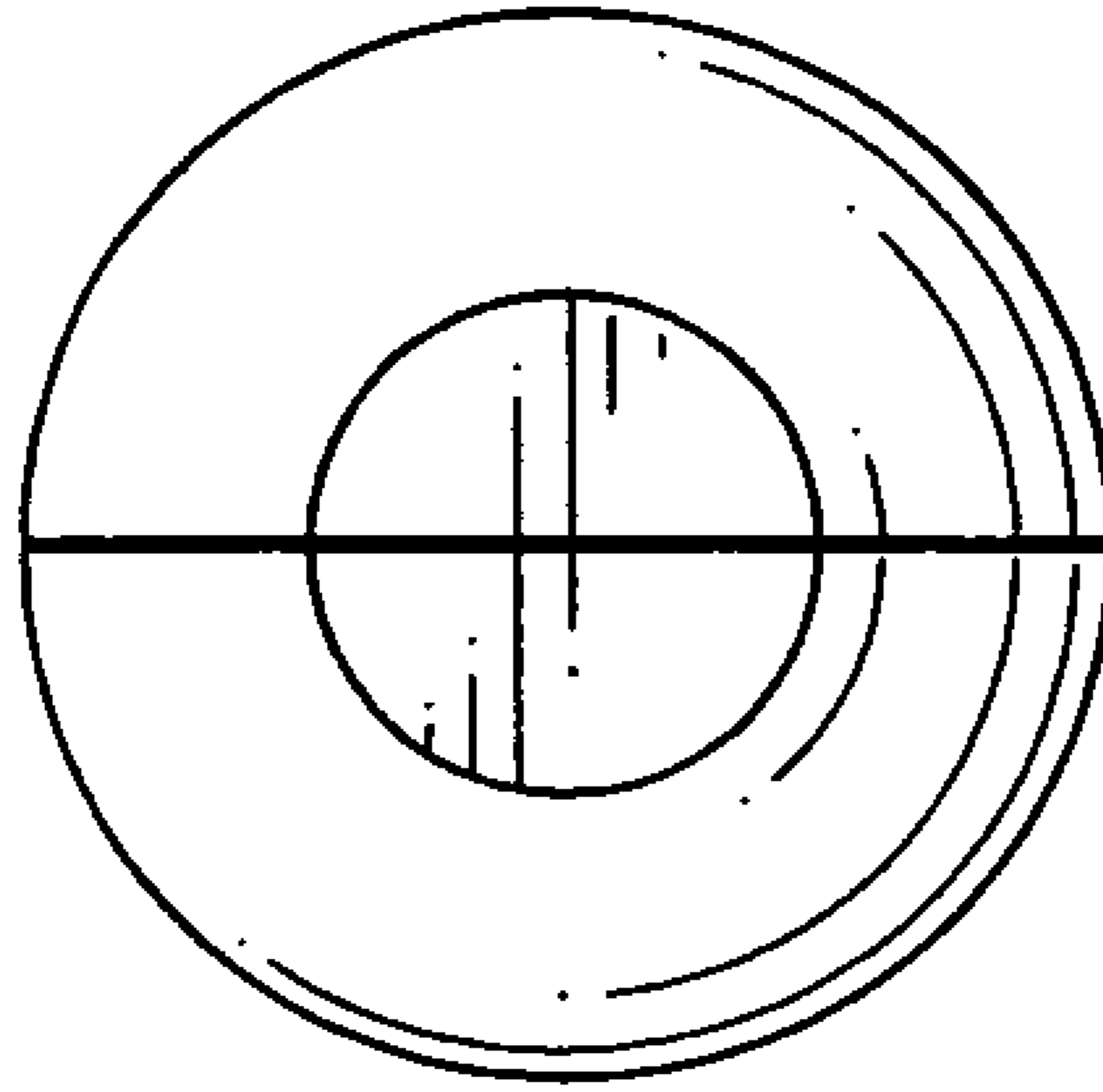


FIG.3

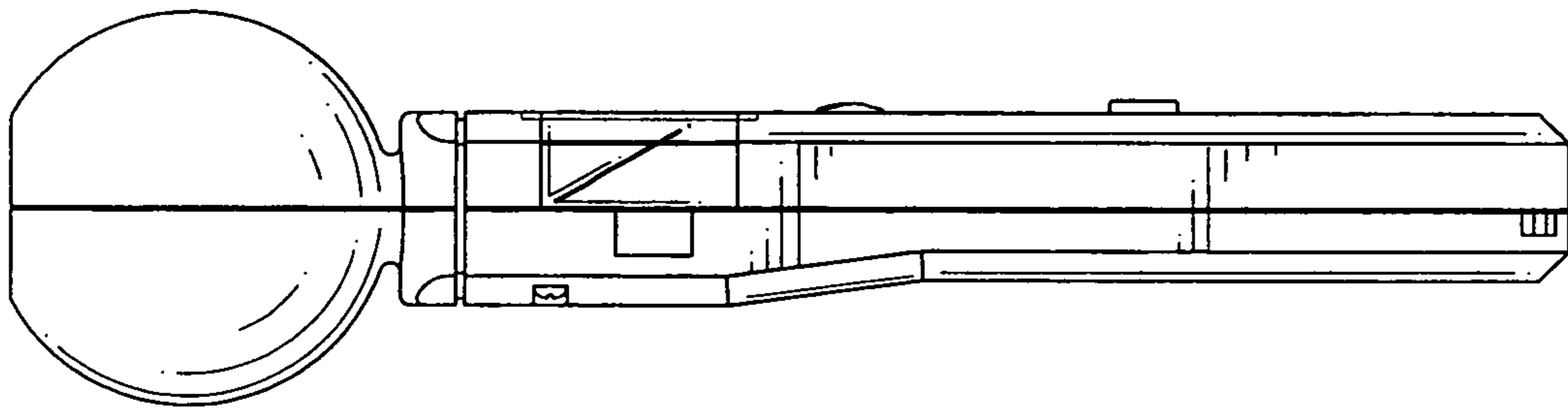


FIG.4

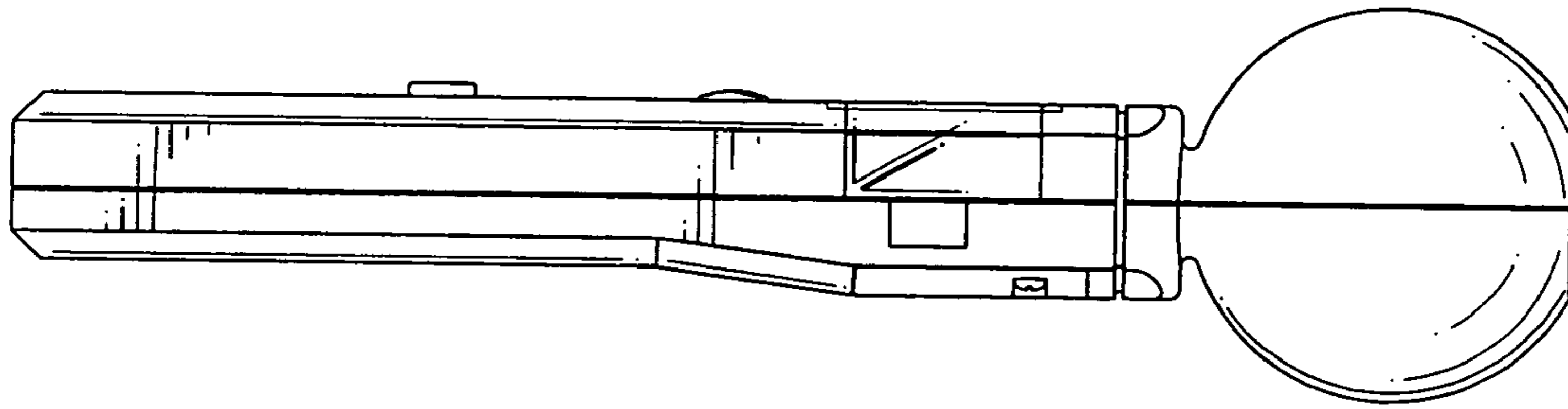


FIG.5

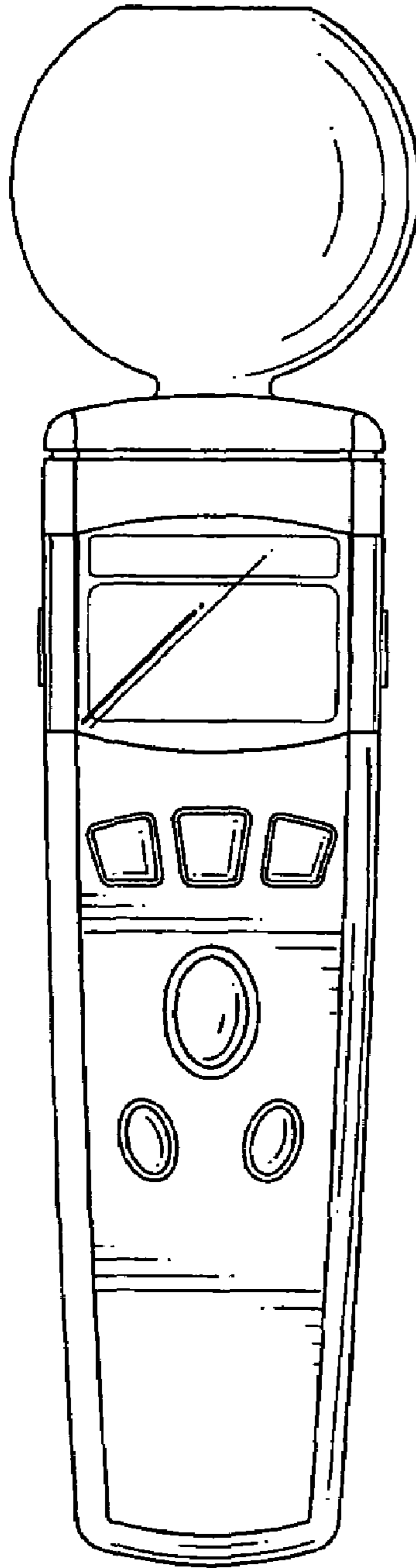


FIG.6

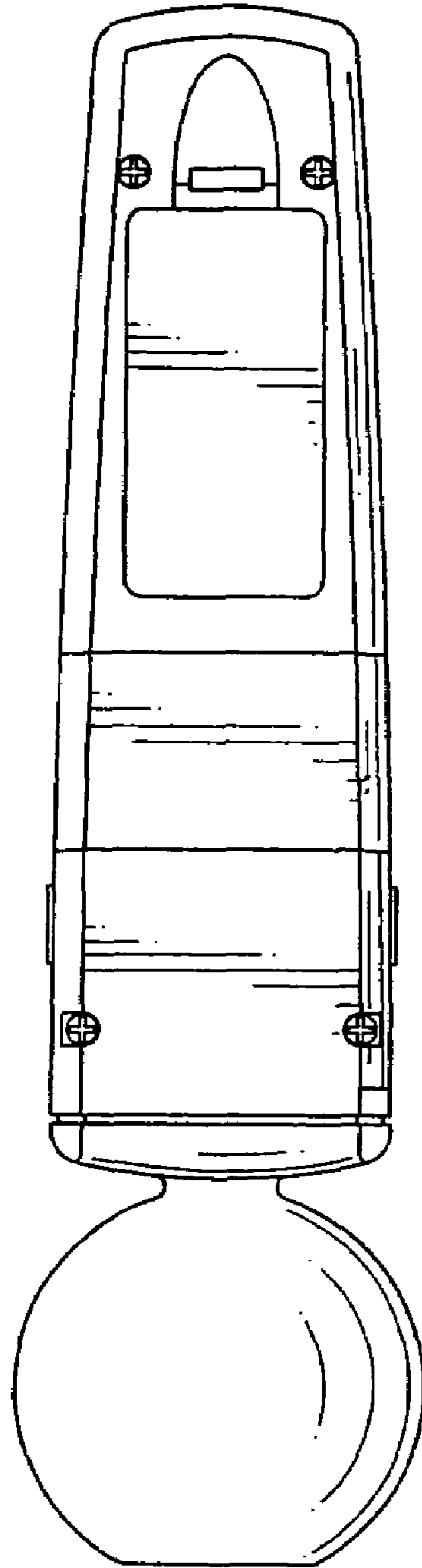


FIG.7