

US00D560526S

(12) **United States Design Patent**
Skelton et al.

(10) **Patent No.:** **US D560,526 S**

(45) **Date of Patent:** **** Jan. 29, 2008**

(54) **MOUNT FOR A NAVIGATION DEVICE**

D457,511 S * 5/2002 Yuen D14/197

(75) Inventors: **Paul E. Skelton**, Lenexa, KS (US);
Brian M. Sandefur, Lawrence, KS
(US)

* cited by examiner

Primary Examiner—Antoine D. Davis
(74) *Attorney, Agent, or Firm*—Kevin E. West; Samuel M.
Korte

(73) Assignee: **Garmin Ltd.** (KY)

(**) Term: **14 Years**

(57) **CLAIM**

(21) Appl. No.: **29/275,096**

The ornamental design for a mount for a navigation device,
as shown and described.

(22) Filed: **Dec. 12, 2006**

DESCRIPTION

(51) **LOC (8) Cl.** **10-04**

(52) **U.S. Cl.** **D10/74**

(58) **Field of Classification Search** D10/74;
D14/347; 342/351, 419, 457, 357.06–357.13;
343/702; 345/87, 104, 133, 156, 168, 173,
345/901–905; 348/180, 184, 315, 739; 364/444,
364/499, 200, 434, 443, 449, 451, 708.1,
364/709.11; 701/206–209, 213, 214; 340/995;
73/178 R; 248/DIG. 4, 121, 160, 229, 284,
248/291, 291.1–229.26, 689–690

FIG. 1 is a front isometric view of a mount for a navigation device according to the present invention;
FIG. 2 is a front elevational view thereof;
FIG. 3 is a right side elevational view thereof;
FIG. 4 is a rear elevational view thereof;
FIG. 5 is a left side elevational view thereof;
FIG. 6 is a top plan view thereof; and,
FIG. 7 is a bottom plan view thereof.

See application file for complete search history.

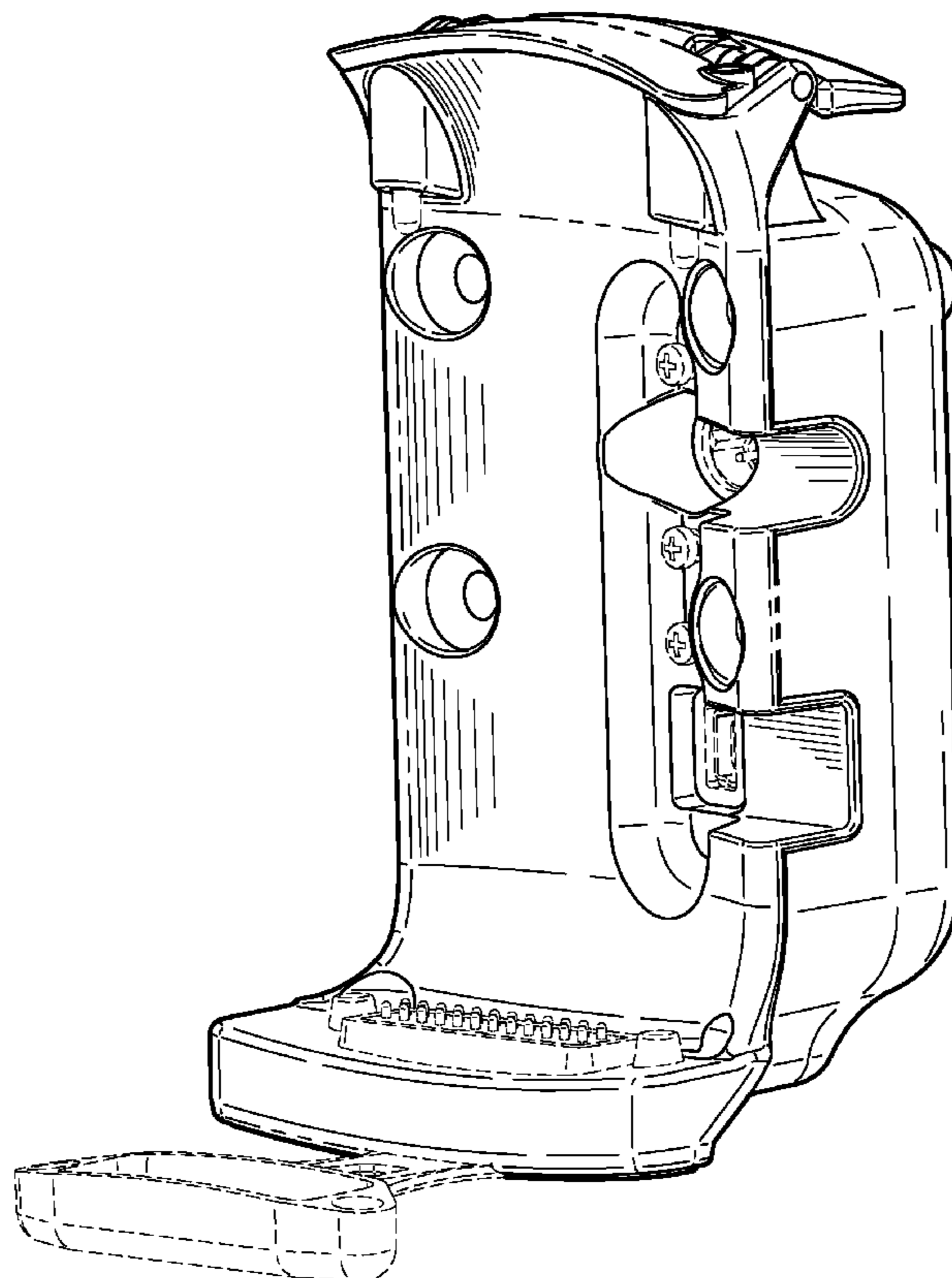
Portions of FIGS. 1 through 7 are shown in dashed lines for illustrative purposes only and form no part of the claimed design.

(56) **References Cited**

U.S. PATENT DOCUMENTS

D433,345 S * 11/2000 Okada et al. D10/74

1 Claim, 4 Drawing Sheets



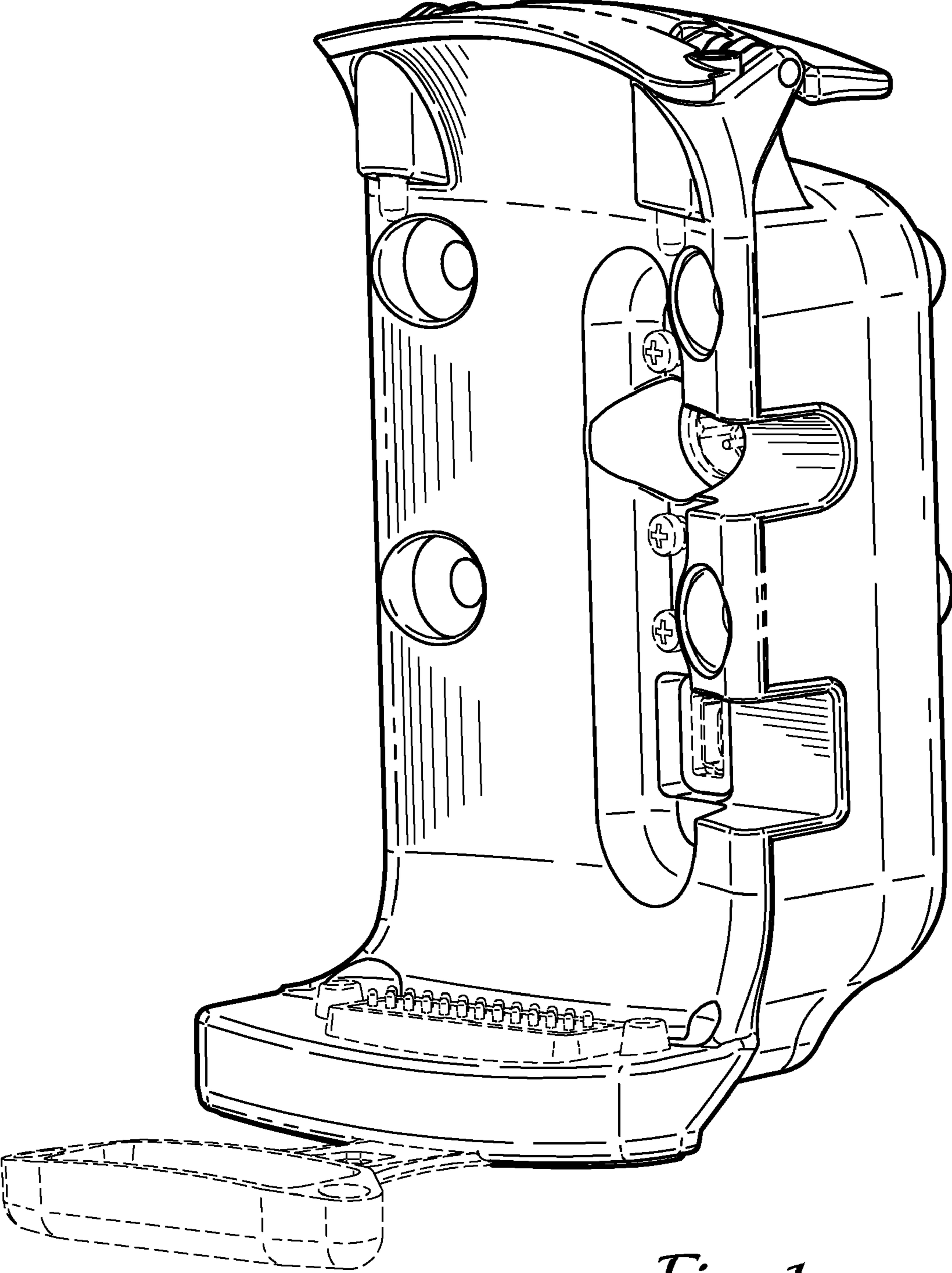


Fig. 1

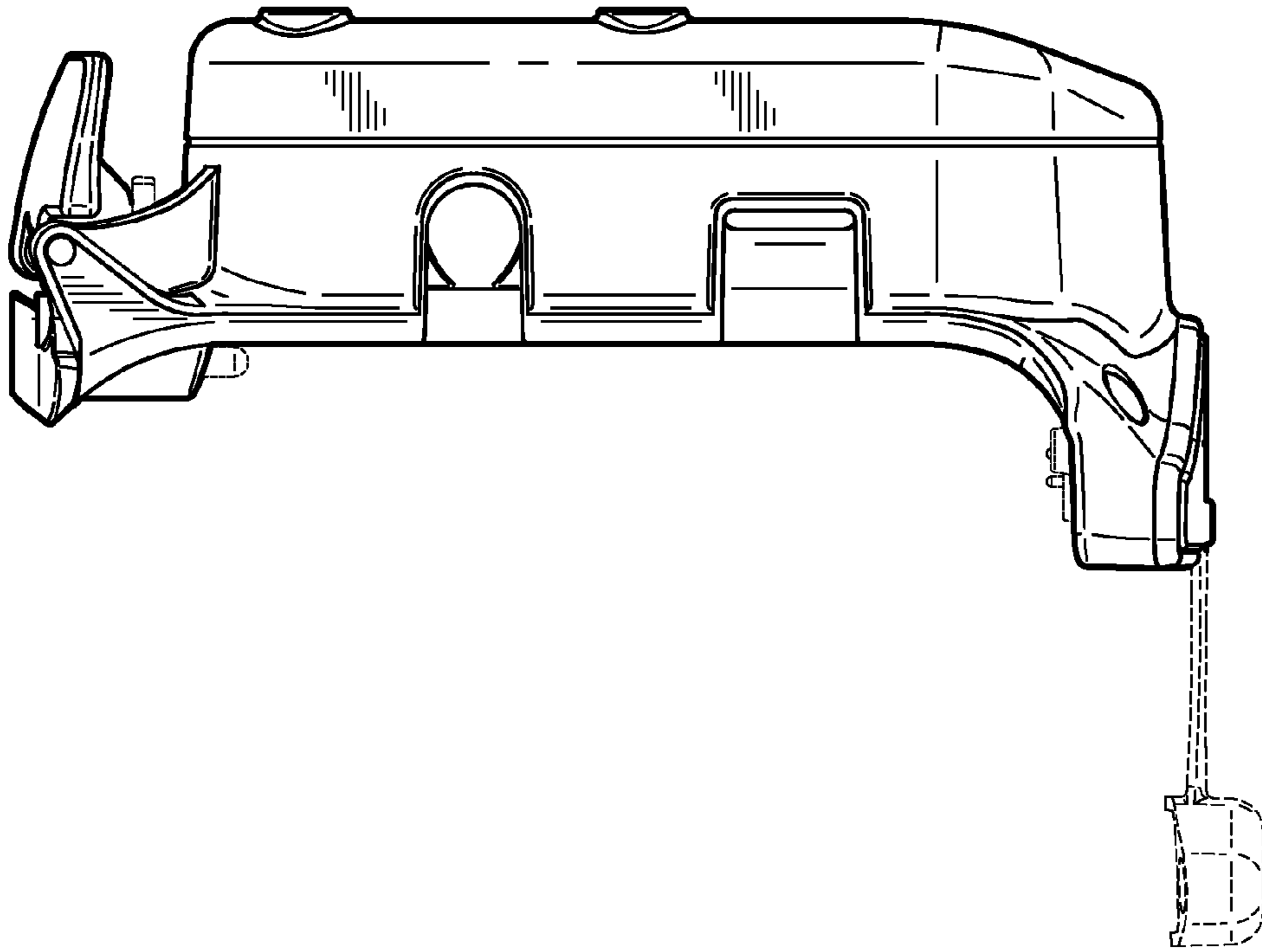


Fig. 3

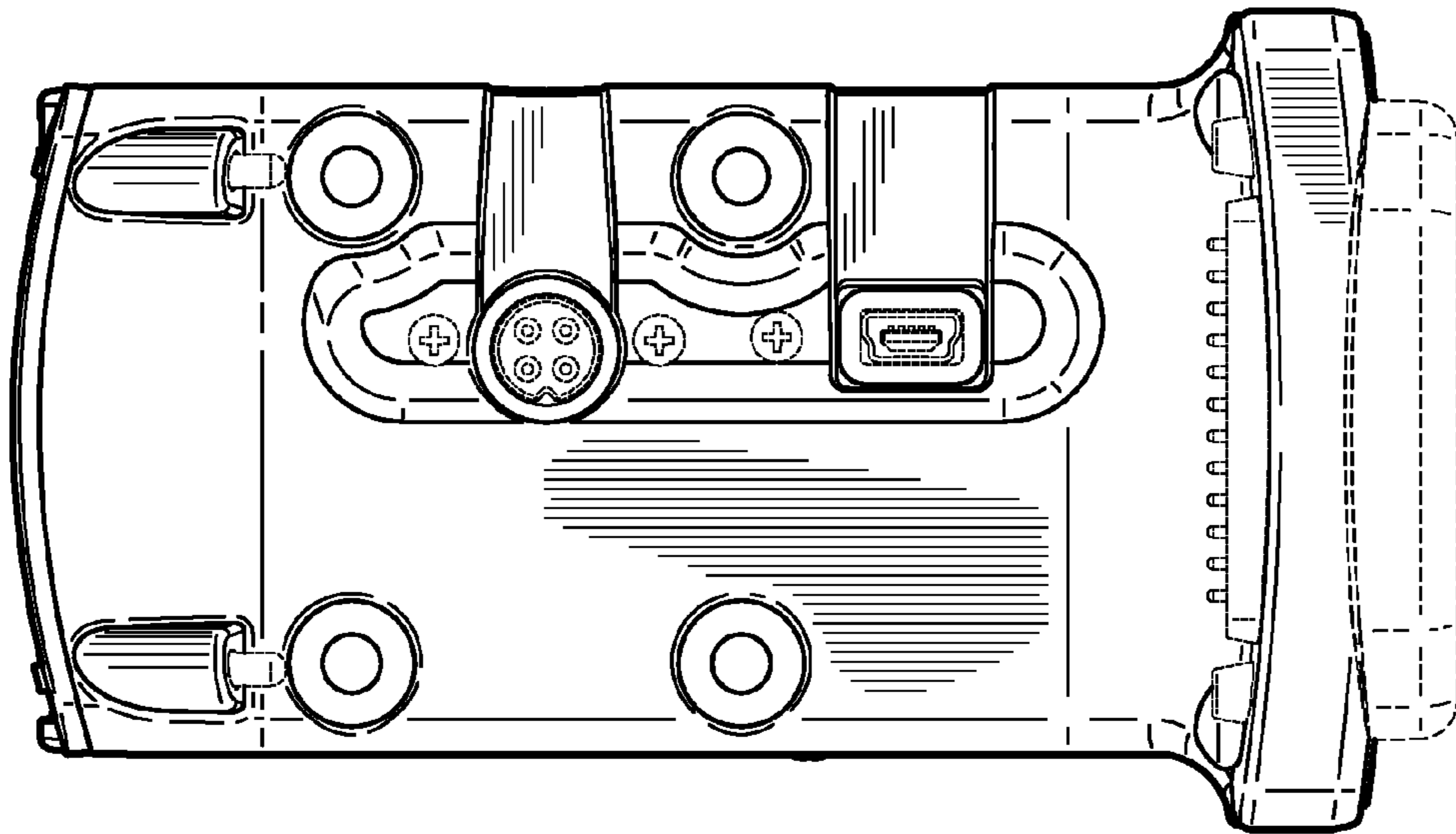


Fig. 2

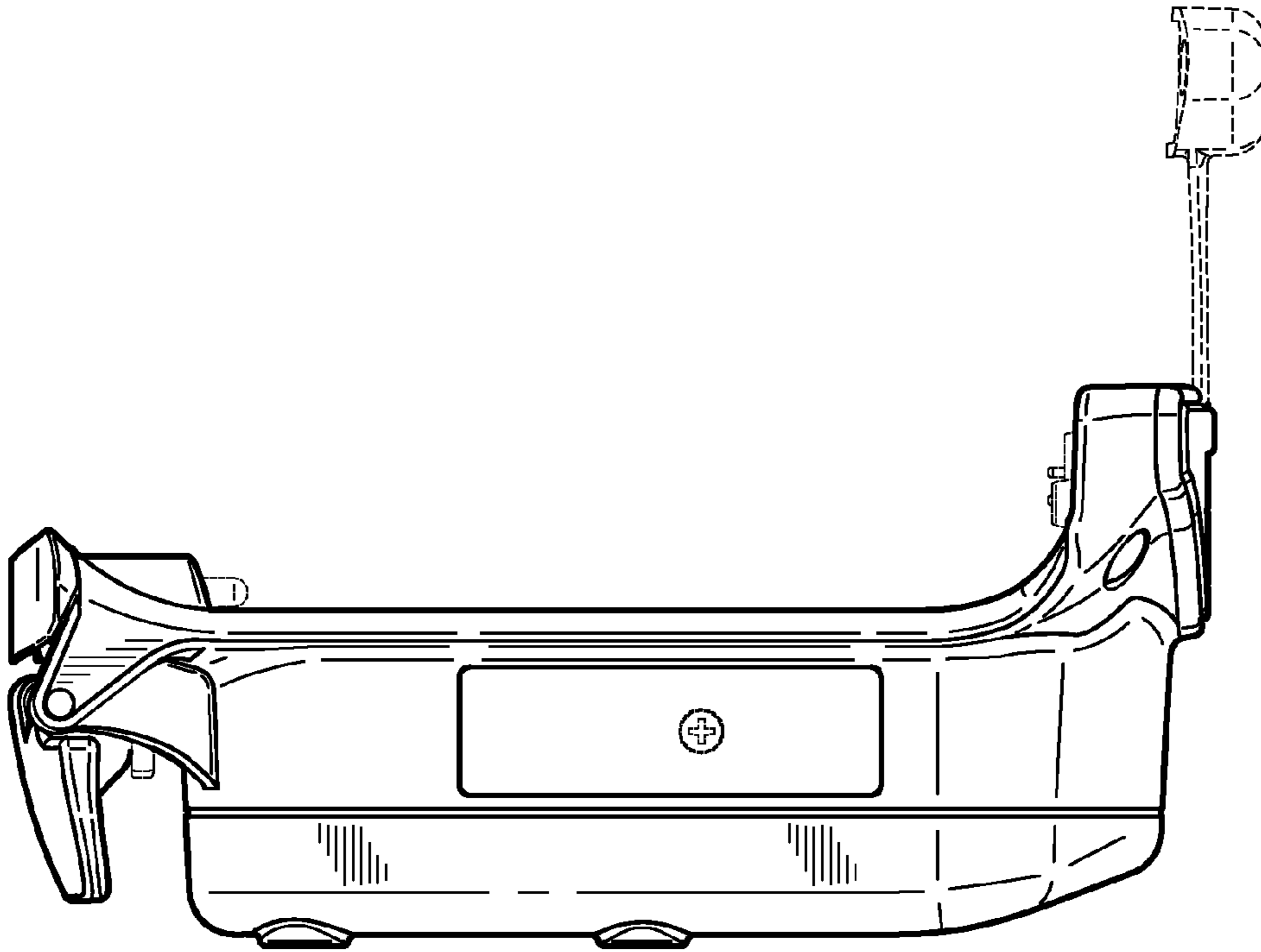


Fig. 5

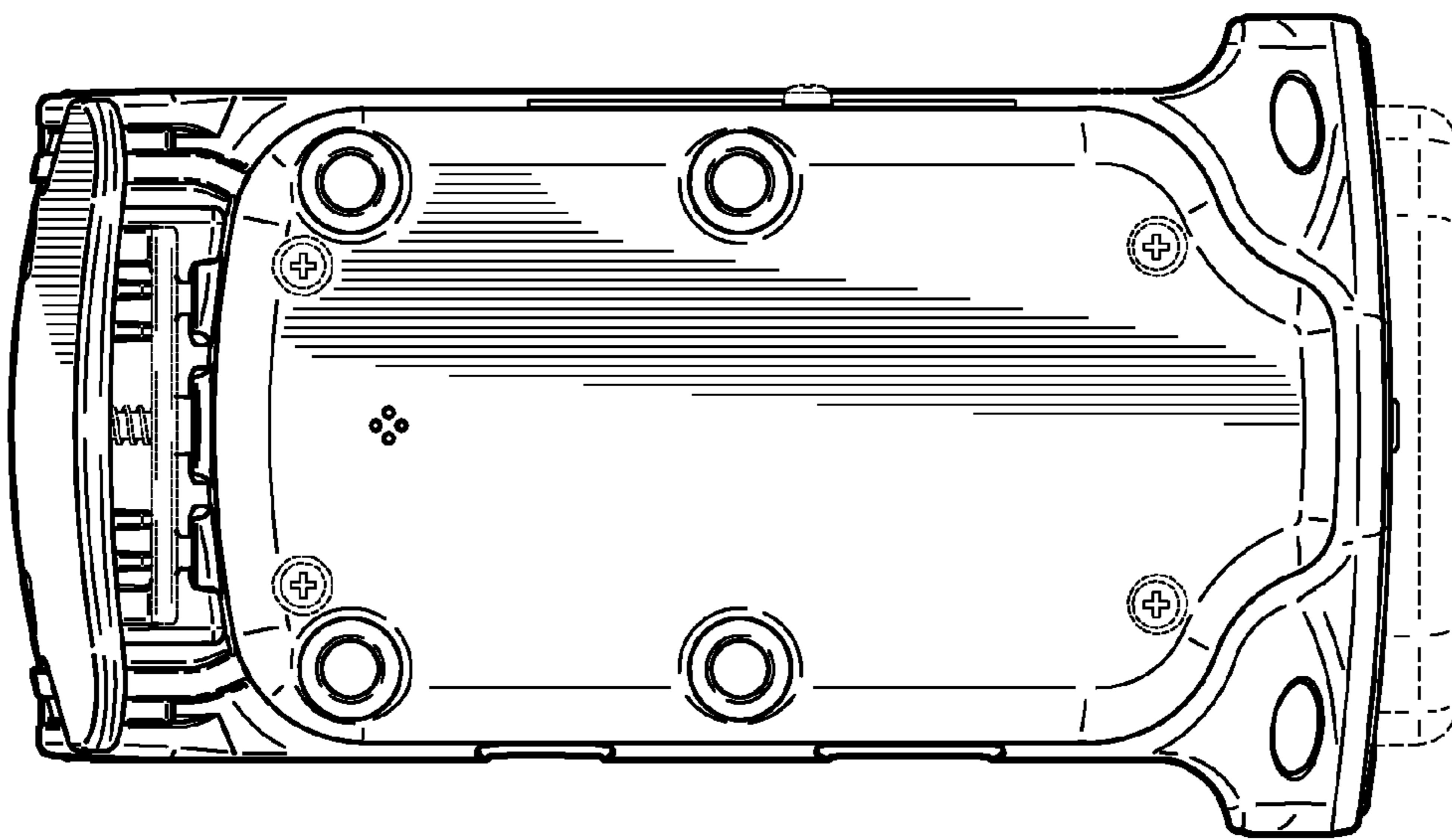


Fig. 4

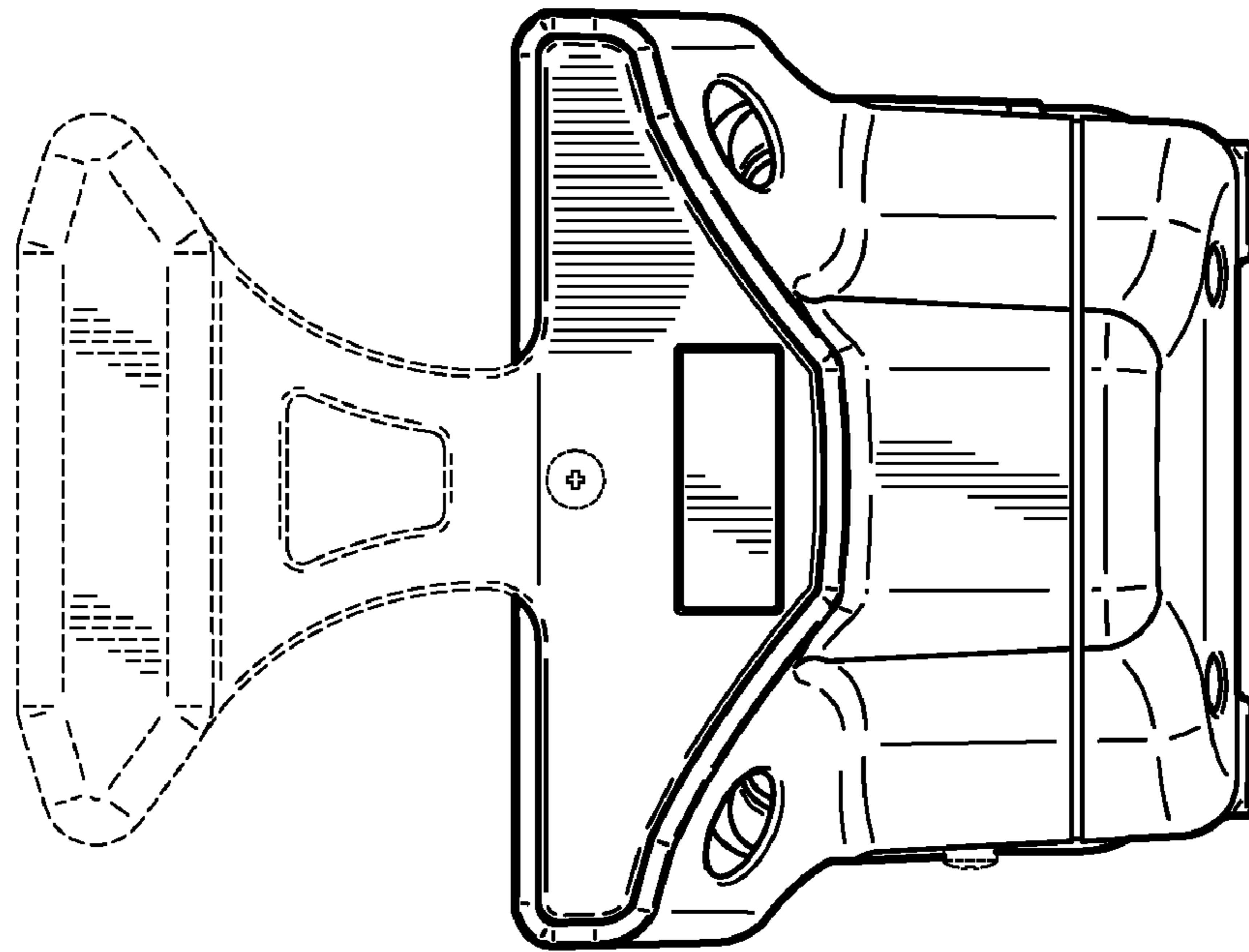


Fig. 7

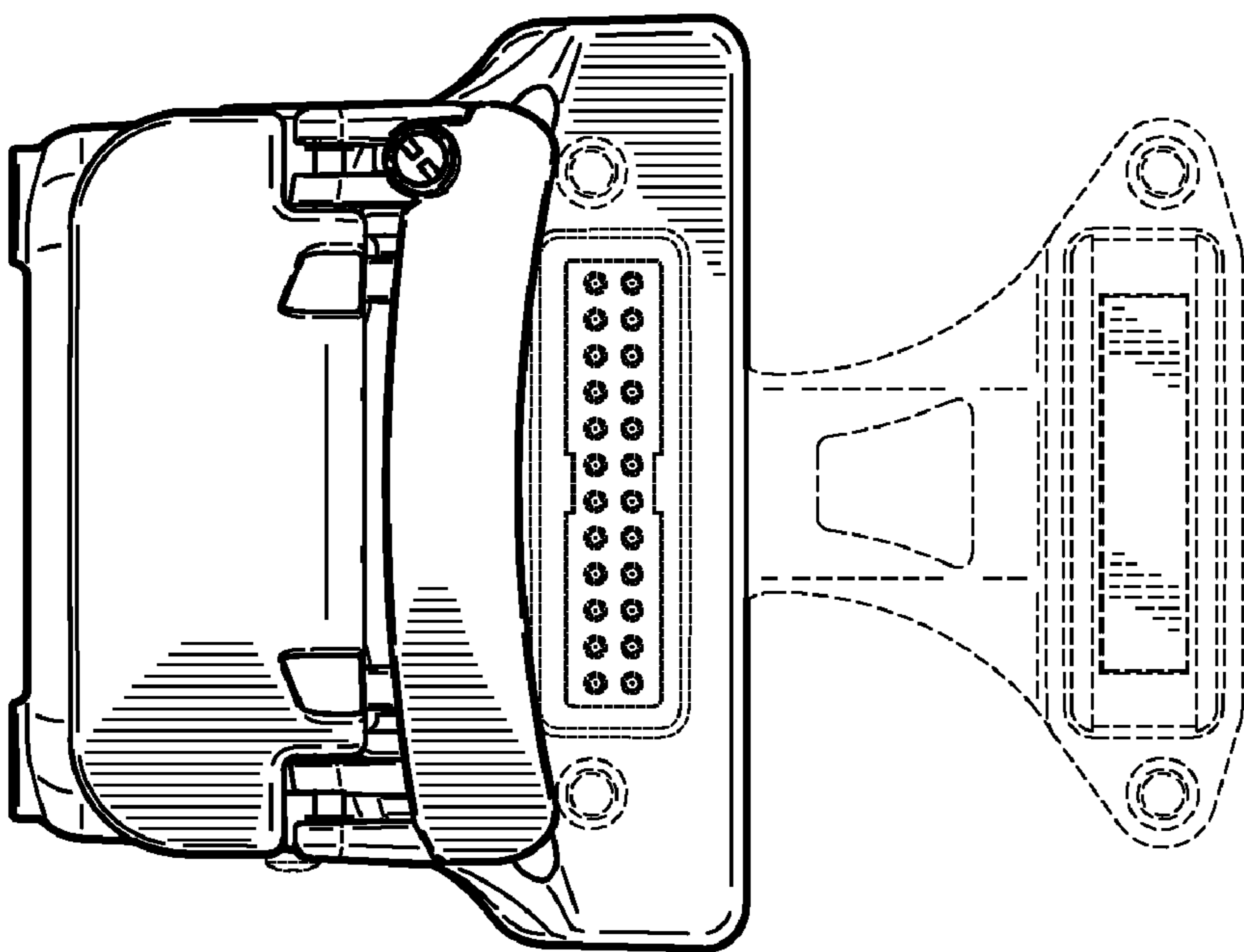


Fig. 6