



US00D560525S

(12) **United States Design Patent** (10) **Patent No.:** **US D560,525 S**  
**Skelton et al.** (45) **Date of Patent:** **\*\* Jan. 29, 2008**

(54) **MOUNT FOR A NAVIGATION DEVICE** D457,511 S \* 5/2002 Yuen ..... D14/197

(75) Inventors: **Paul E. Skelton**, Lenexa, KS (US);  
**Brian M. Sandefur**, Lawrence, KS (US)

\* cited by examiner

*Primary Examiner*—Antoine D. Davis  
(74) *Attorney, Agent, or Firm*—Kevin E. West; Samuel M. Korte

(73) Assignee: **Garmin Ltd.** (KY)

(\*\*) Term: **14 Years**

(57) **CLAIM**

(21) Appl. No.: **29/275,093**

The ornamental design for a mount for a navigation device, as shown and described.

(22) Filed: **Dec. 12, 2006**

**DESCRIPTION**

(51) **LOC (8) Cl.** ..... **10-04**

(52) **U.S. Cl.** ..... **D10/74**

(58) **Field of Classification Search** ..... D10/74;  
D14/347; 342/351, 419, 457, 357.06–357.13;  
343/702; 345/87, 104, 133, 156, 168, 173,  
345/901–905; 348/180, 184, 315, 739; 364/444,  
364/499, 200, 434, 433, 449, 451, 708.1,  
364/709.11; 701/206–209, 213, 214; 340/995;  
73/178 R; 248/DIG. 4, 121, 160, 229, 284,  
248/291, 291.1–229.26, 689–690

FIG. 1 is a front isometric view of a mount for a navigation device according to the present invention;  
FIG. 2 is a front elevational view thereof;  
FIG. 3 is a right side elevational view thereof;  
FIG. 4 is a rear elevational view thereof;  
FIG. 5 is a left side elevational view thereof;  
FIG. 6 is a top plan view thereof; and,  
FIG. 7 is a bottom plan view thereof.

See application file for complete search history.

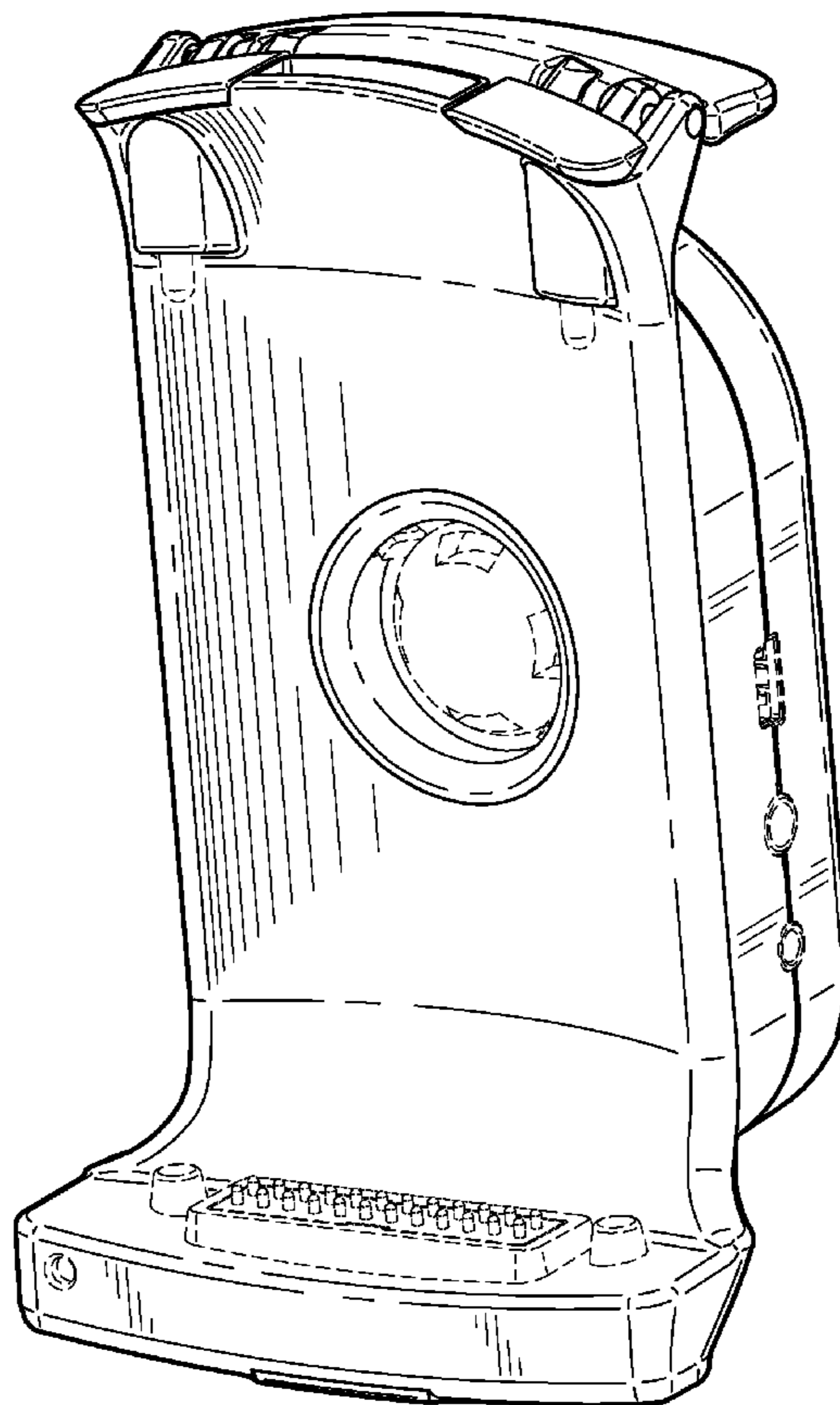
Portions of FIGS. 1 through 7 are shown in dashed lines for illustrative purposes only and form no part of the claimed design.

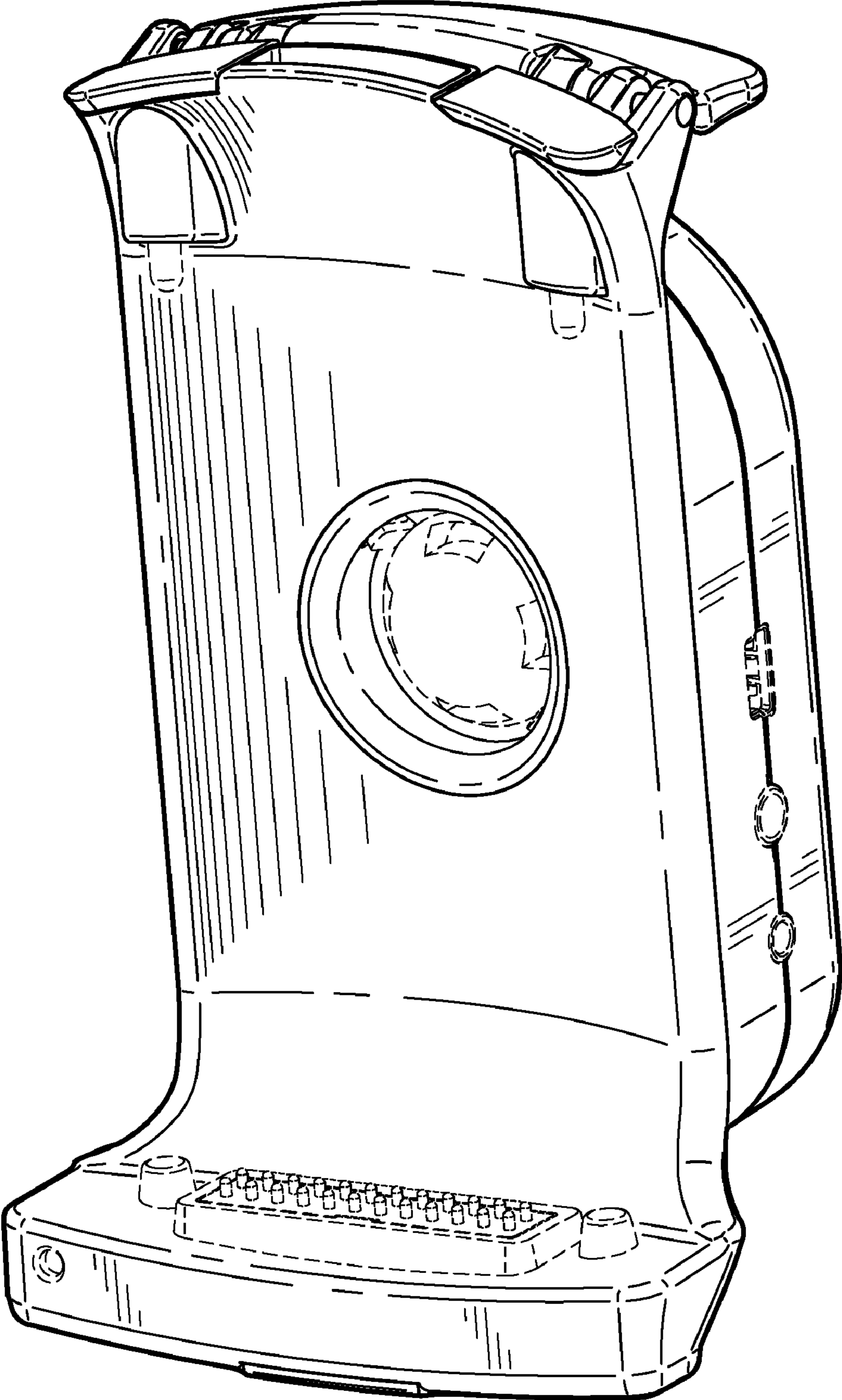
(56) **References Cited**

**U.S. PATENT DOCUMENTS**

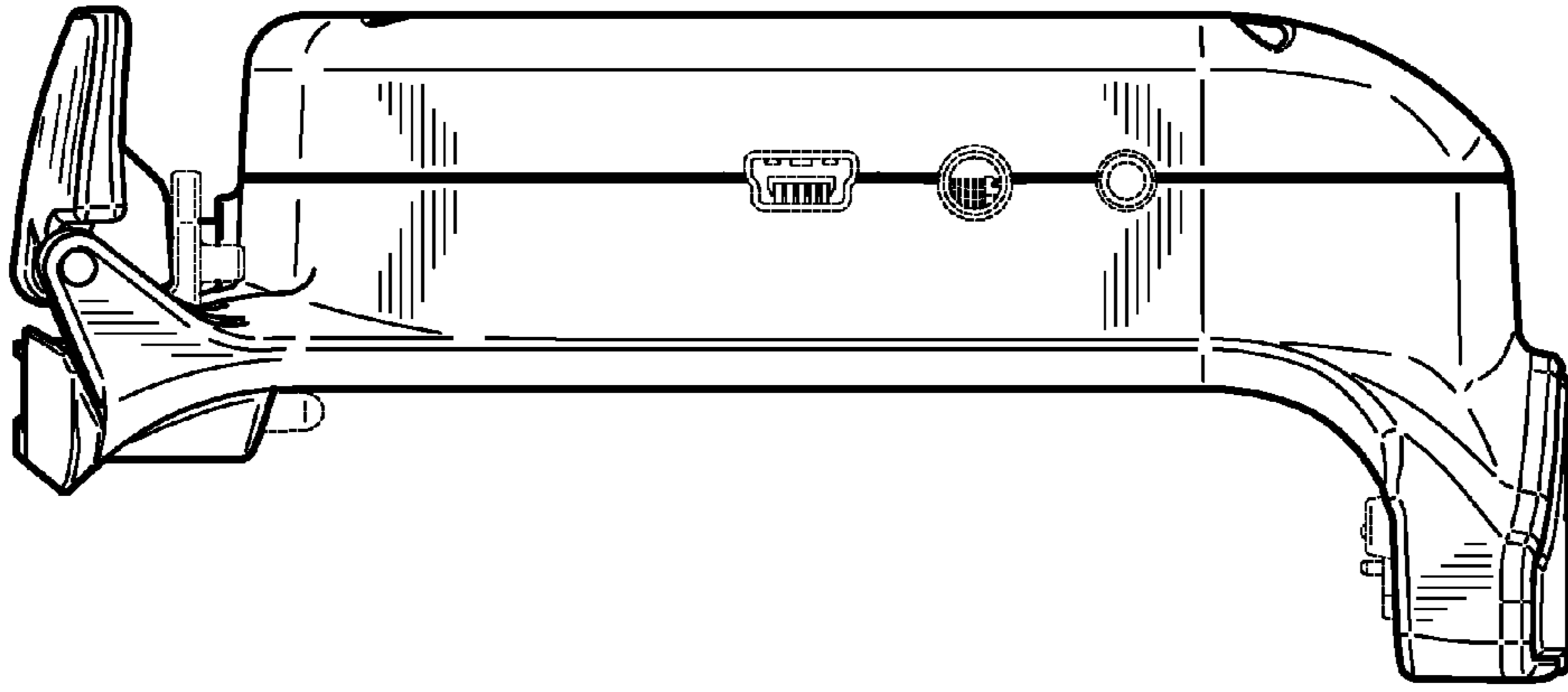
D433,345 S \* 11/2000 Okada et al. .... D10/74

**1 Claim, 4 Drawing Sheets**

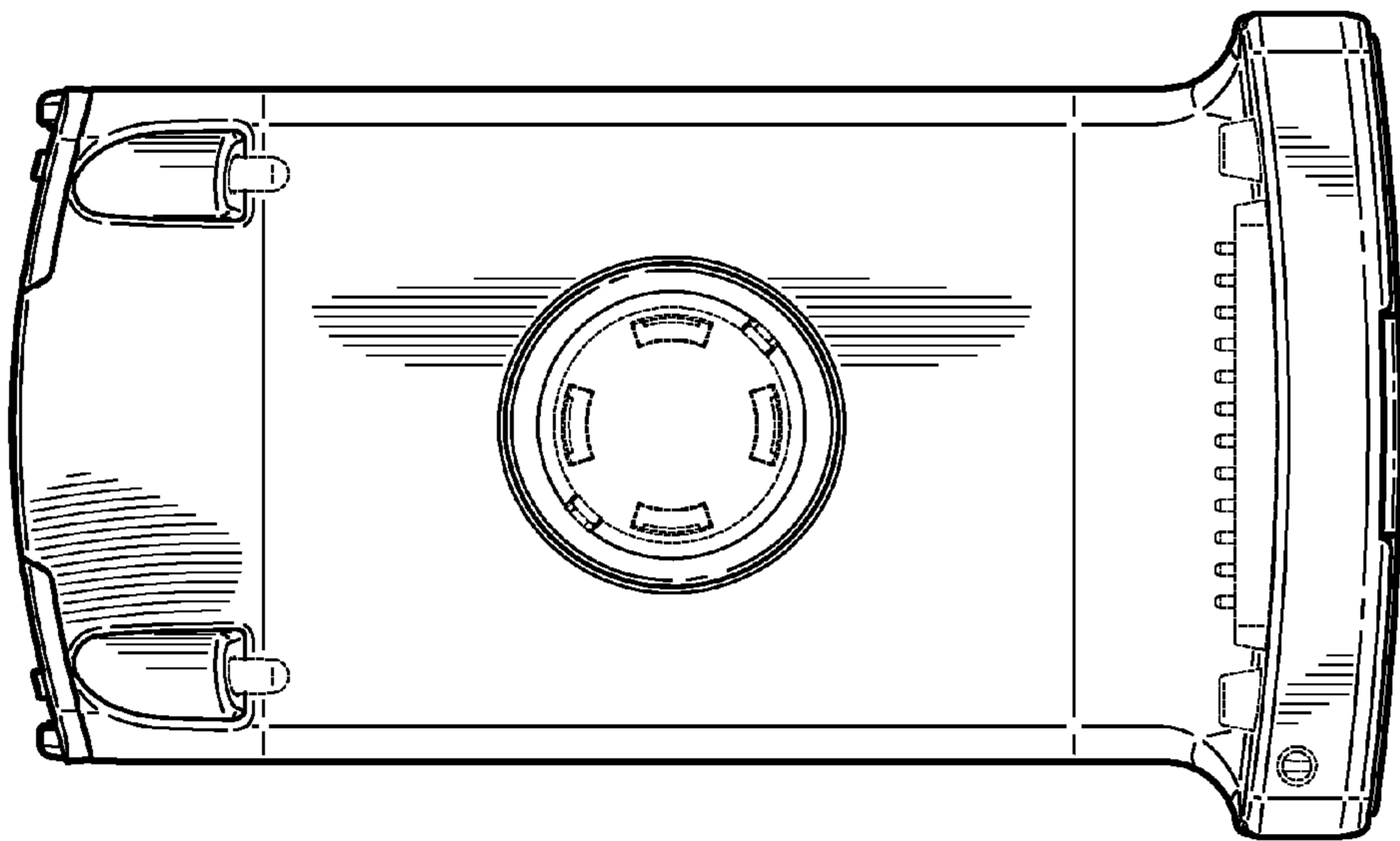




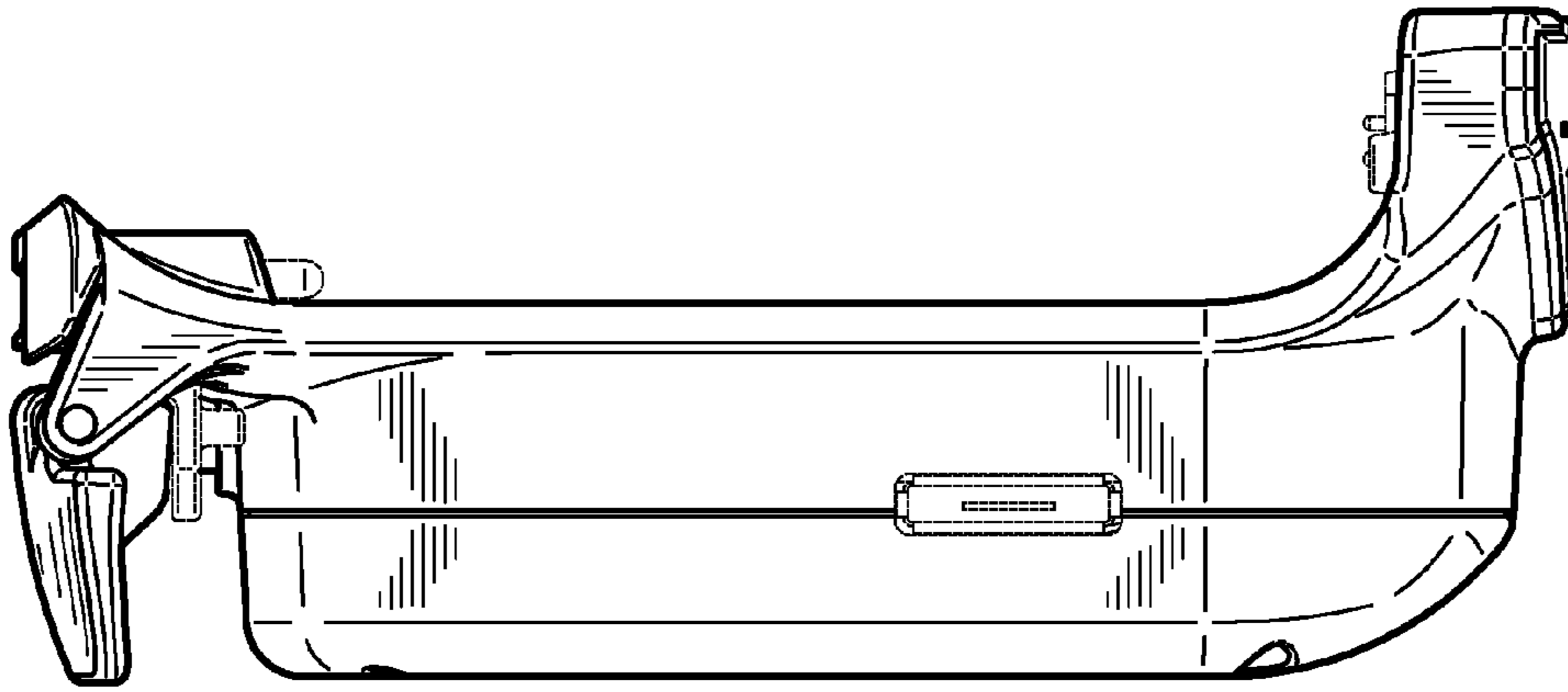
*Fig. 1*



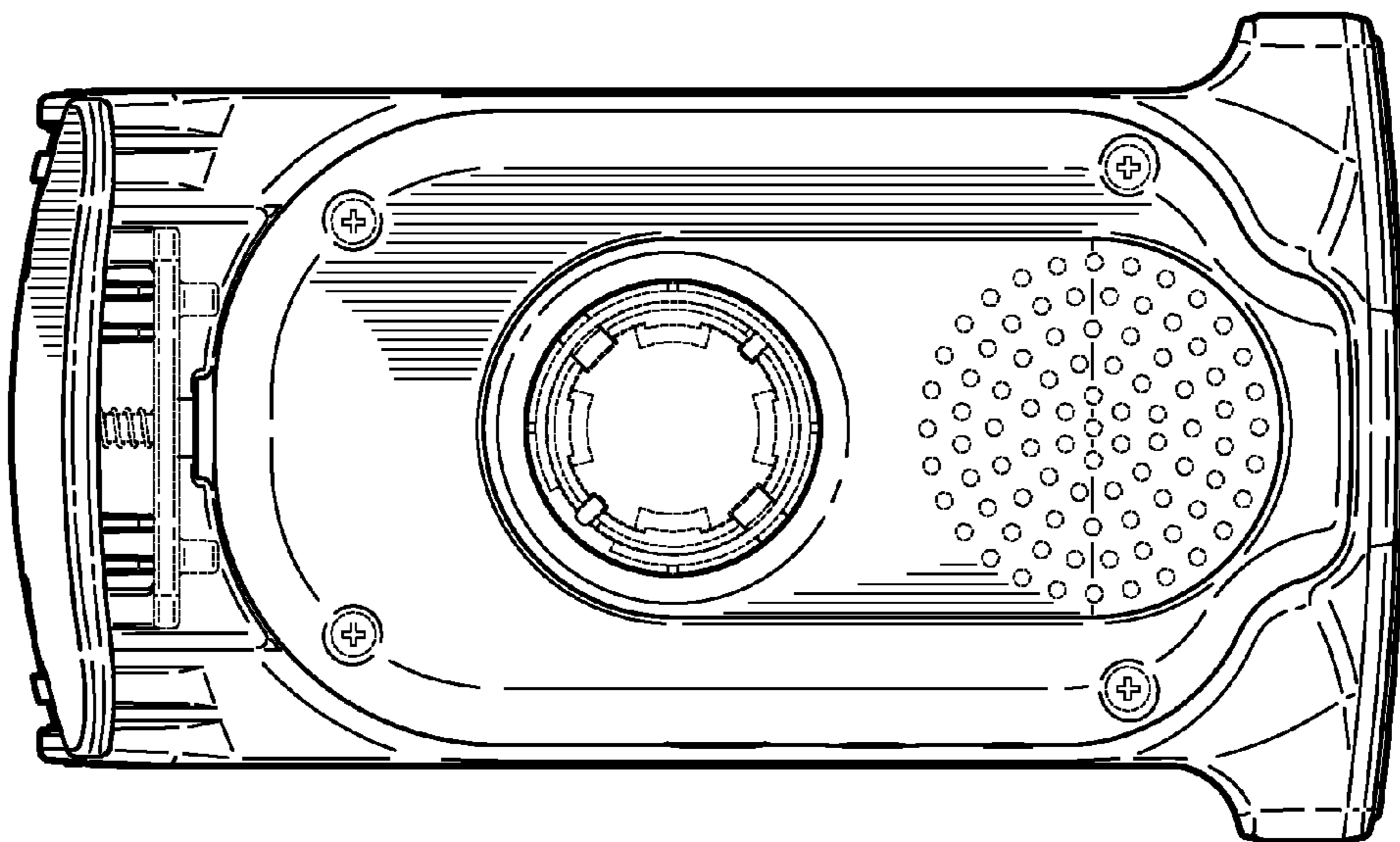
*Fig. 3*



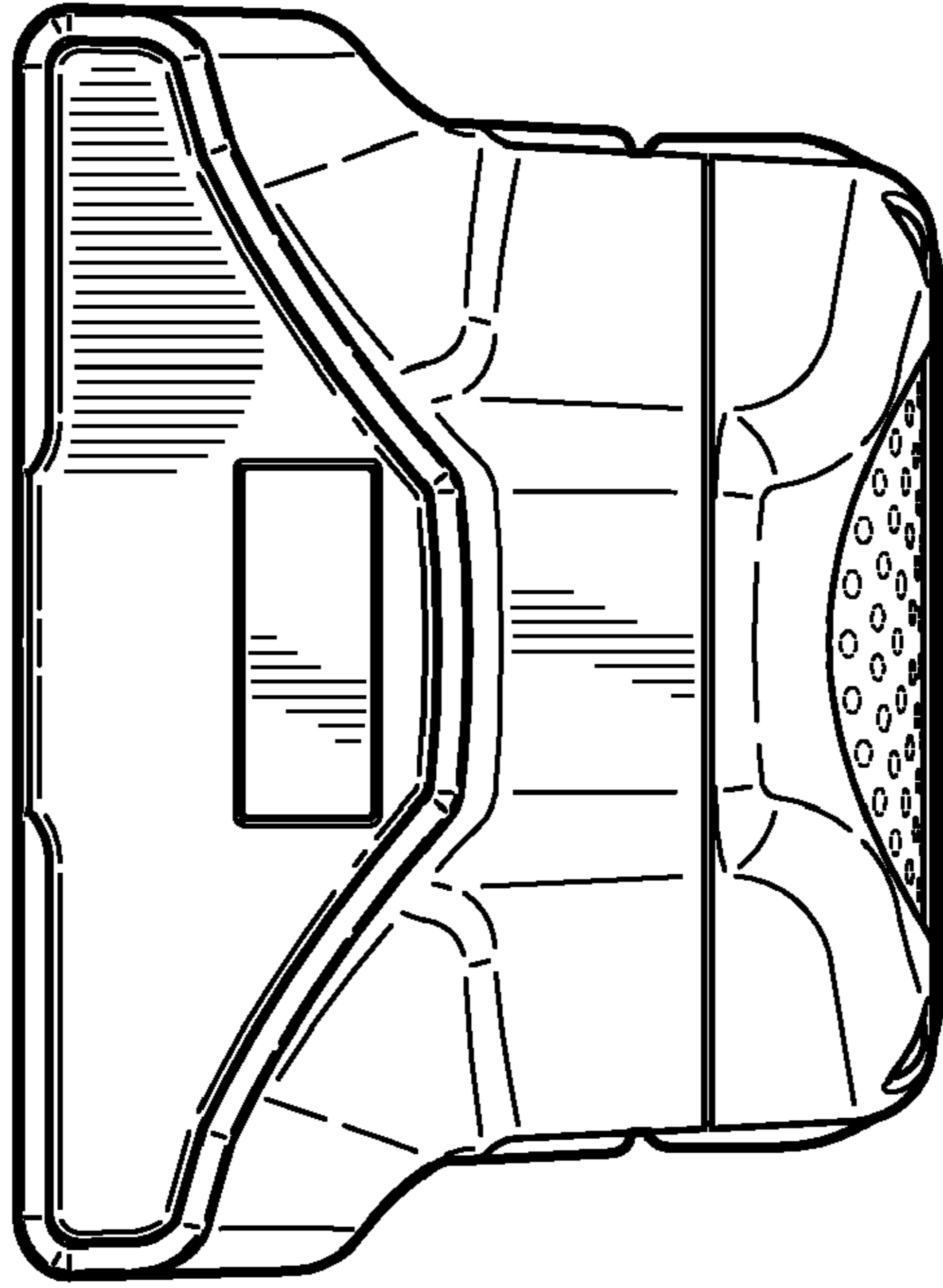
*Fig. 2*



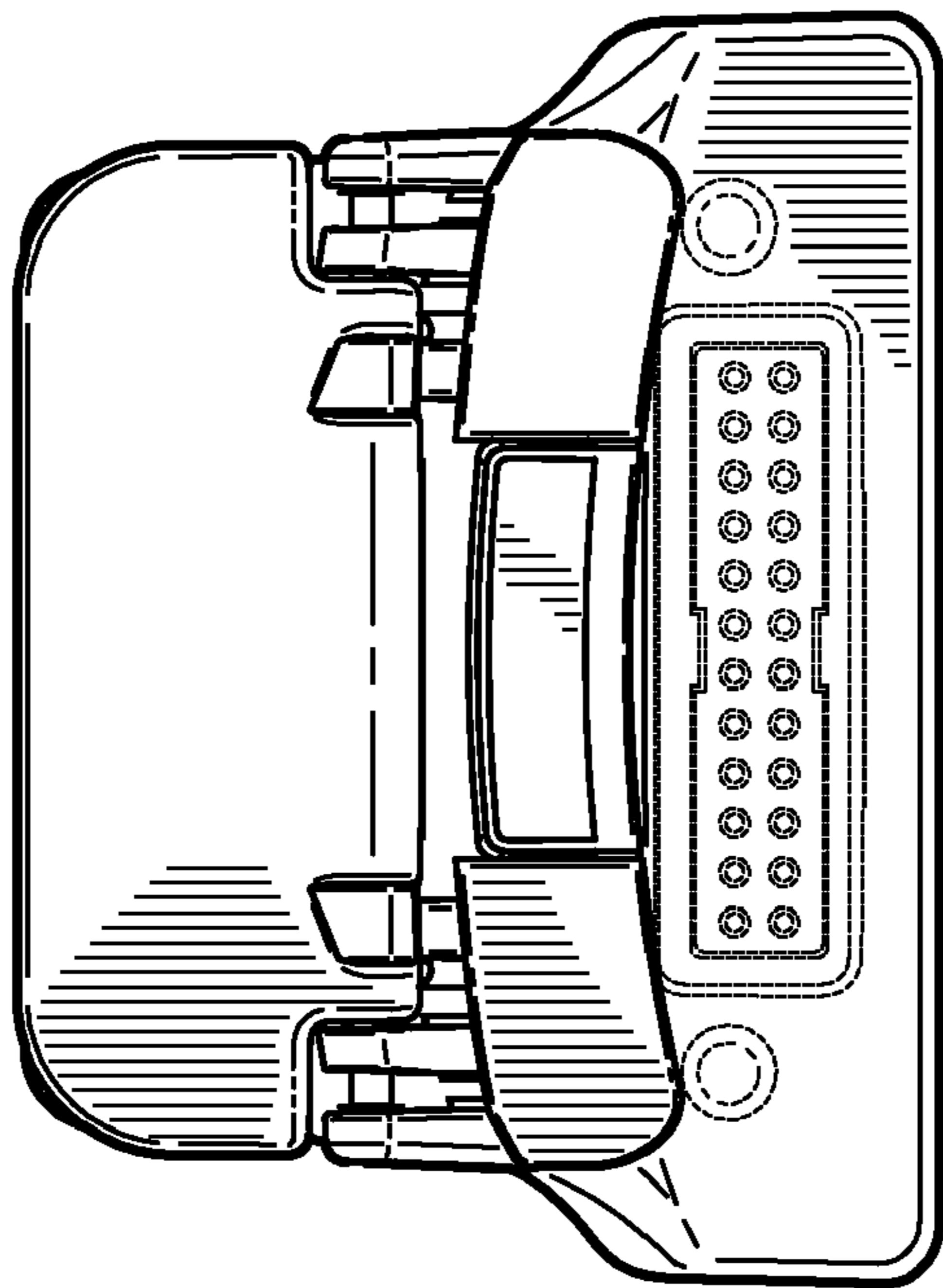
*Fig. 5*



*Fig. 4*



*Fig. 7*



*Fig. 6*