

US00D560524S

(12) **United States Design Patent**
Nakamura

(10) **Patent No.:** **US D560,524 S**
(45) **Date of Patent:** **** Jan. 29, 2008**

(54) **GPS RECEIVER**

(75) Inventor: **Takatoshi Nakamura**, Shinagawa-ku
(JP)

(73) Assignee: **Sony Computer Entertainment Inc.**,
Tokyo (JP)

(**) Term: **14 Years**

(21) Appl. No.: **29/263,550**

(22) Filed: **Jul. 26, 2006**

(30) **Foreign Application Priority Data**

Mar. 14, 2006 (JP) D2006-006399

(51) **LOC (8) Cl.** **10-04**

(52) **U.S. Cl.** **D10/74; D8/355**

(58) **Field of Classification Search** D8/349,
D8/354, 355, 380, 381; D10/65, 74; 43/19.2,
43/21.2, 22, 23; 211/70.8; 248/311.2, 314,
248/309.1, 447, 447.2, 454-458, 917-924,
248/904

See application file for complete search history.

(56) **References Cited**

U.S. PATENT DOCUMENTS

6,758,454 B2 * 7/2004 Smed 248/917
6,848,662 B2 * 2/2005 Paramonoff et al. 248/309.1

* cited by examiner

Primary Examiner—Antoine D. Davis

(74) *Attorney, Agent, or Firm*—Rader, Fishman & Grauer,
PLLC

(57) **CLAIM**

The ornamental design for a GPS receiver, as shown and
described.

DESCRIPTION

FIG. 1 is a front elevational view of a GPS receiver showing
my new design;

FIG. 2 is a rear elevational view thereof;

FIG. 3 is a left elevational view thereof;

FIG. 4 is a right elevational view thereof;

FIG. 5 is a top plan view thereof;

FIG. 6 is a bottom plan view thereof;

FIG. 7 is a top front right perspective view thereof; and

FIG. 8 is a top rear left perspective view thereof.

FIG. 9 is a right elevational view thereof, wherein the
present article is in a folded state;

FIG. 10 is a top front right perspective view thereof; wherein
the present article is in a folded state;

FIG. 11 is a top rear left perspective view thereof; wherein
the present article is in a folded state; and,

FIG. 12 is a reference view wherein the present article is in
a used state.

The portions indicated in broken lines are for illustrative
purposes only and form no part in the claimed design.

1 Claim, 12 Drawing Sheets

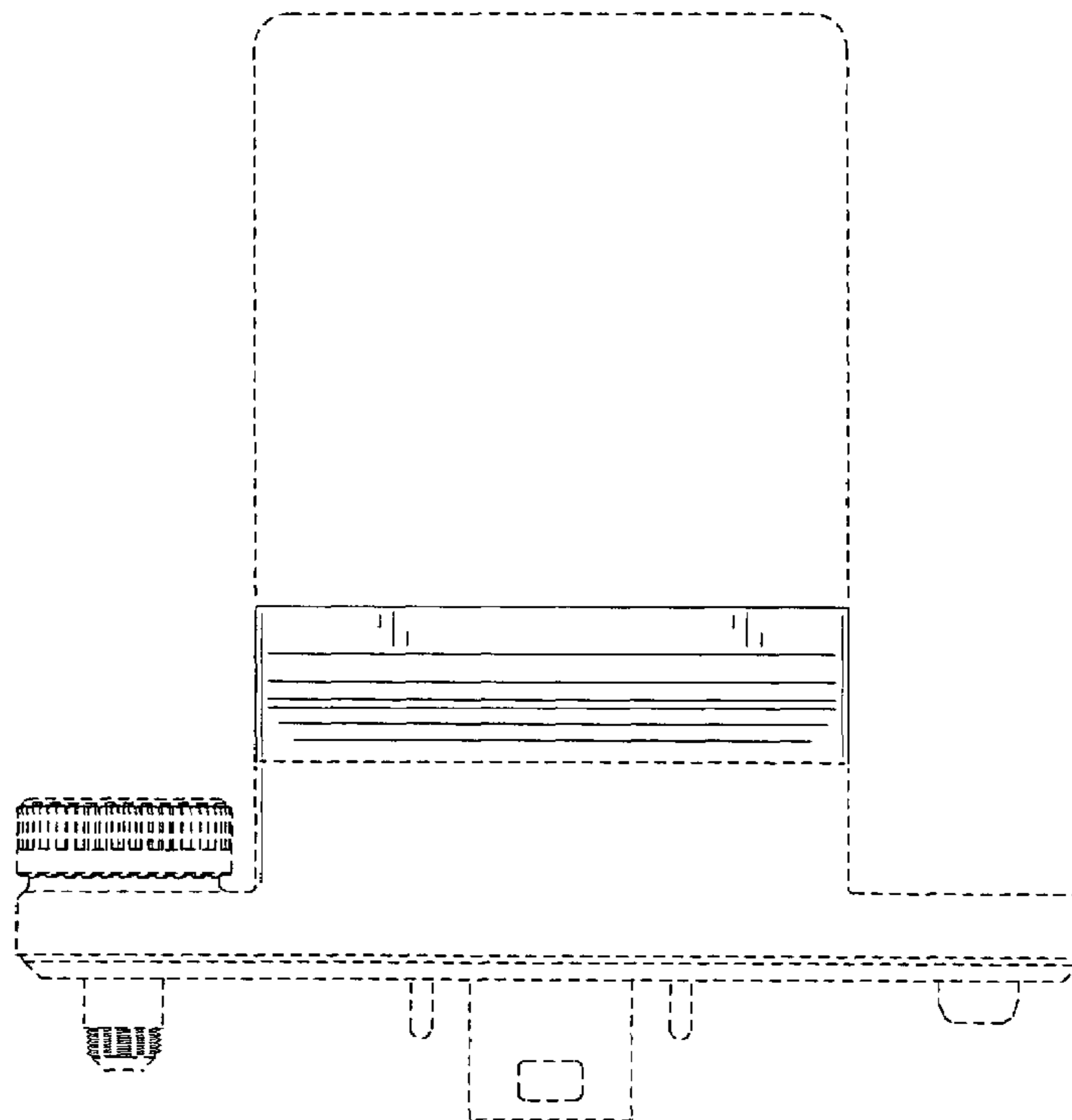


Fig. 1

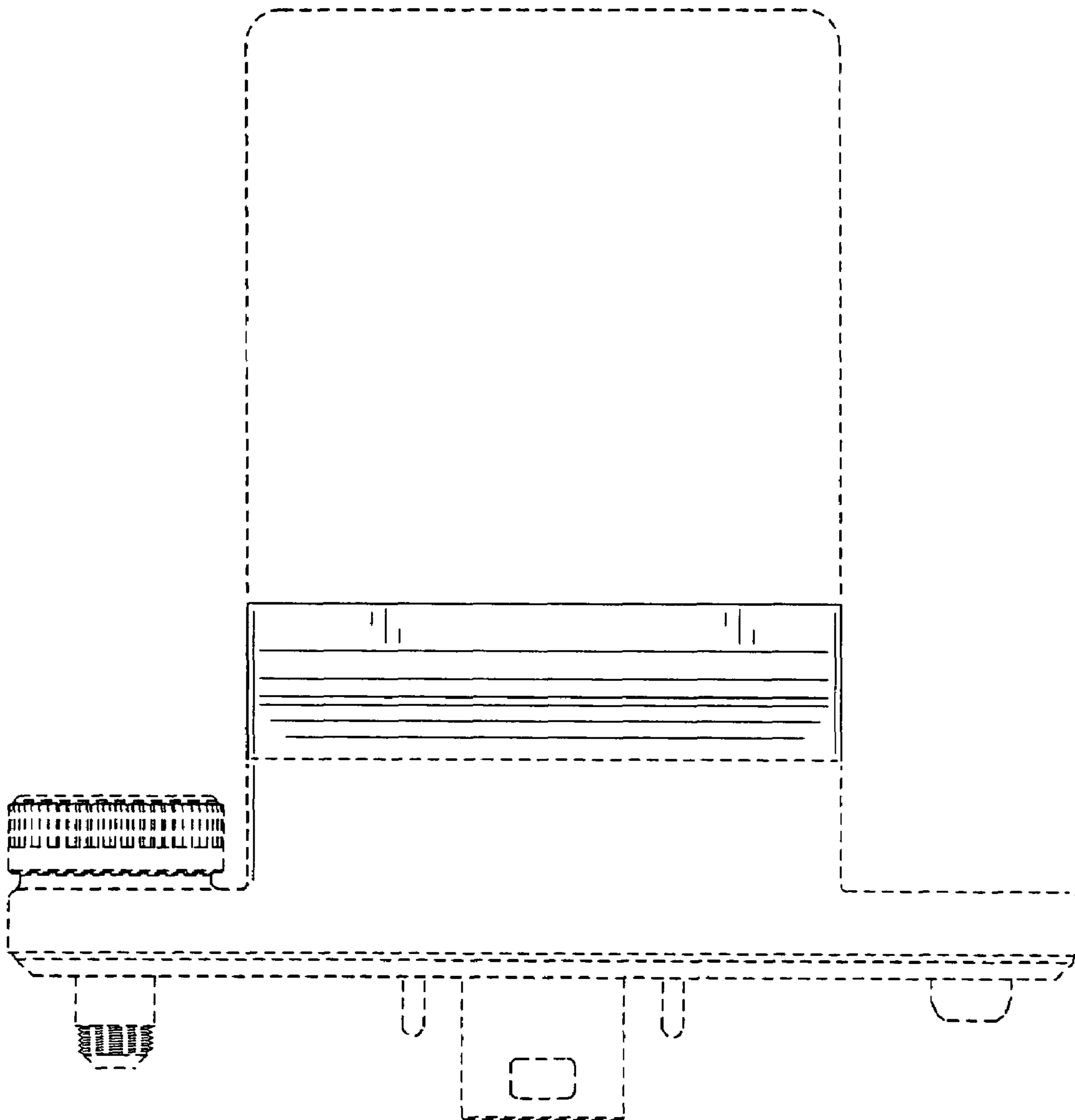


Fig.2

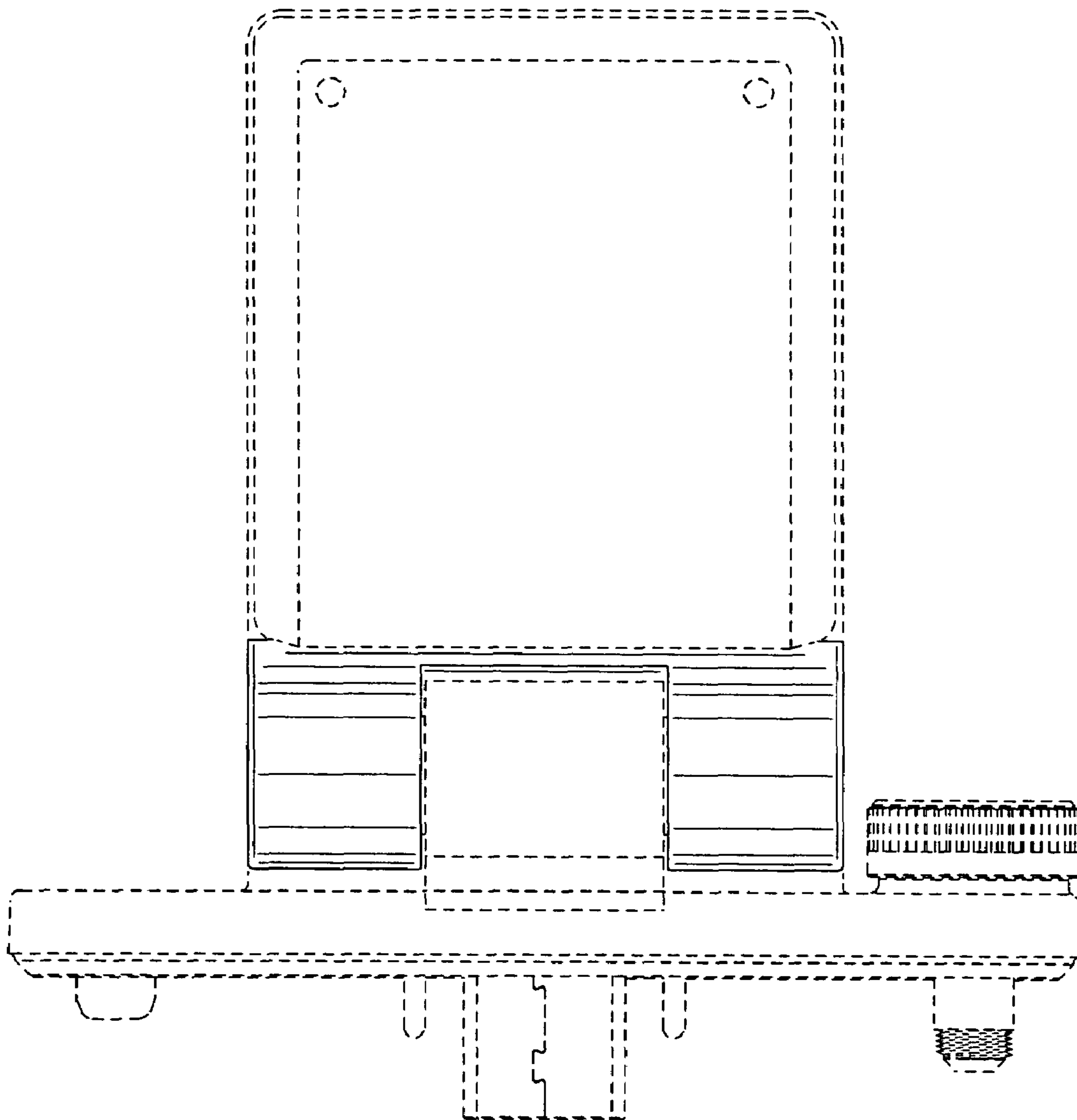


Fig.3

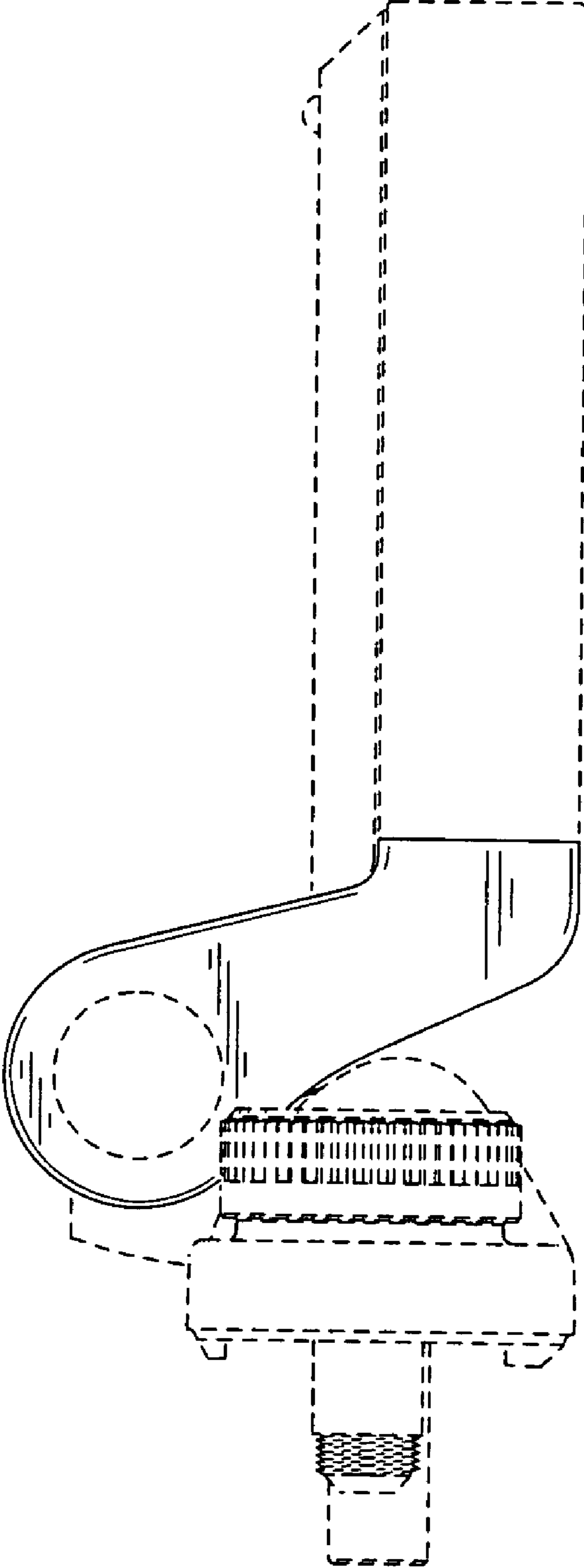


Fig.4

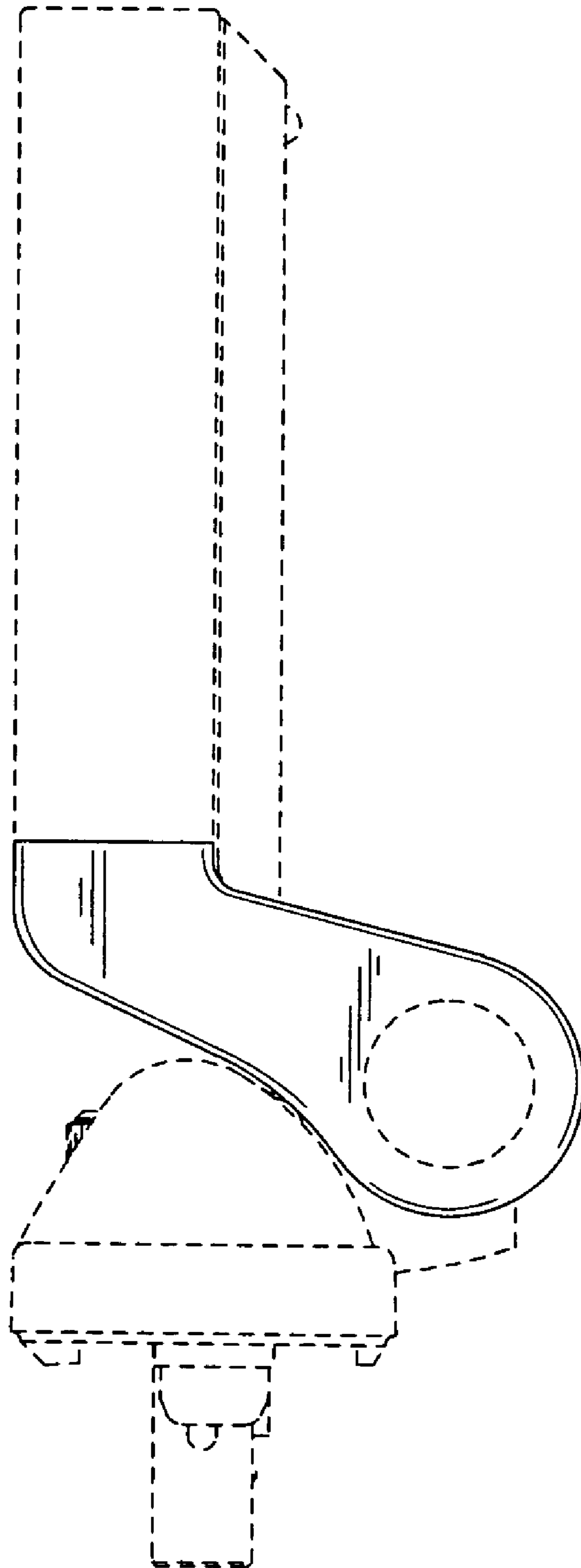


Fig.5

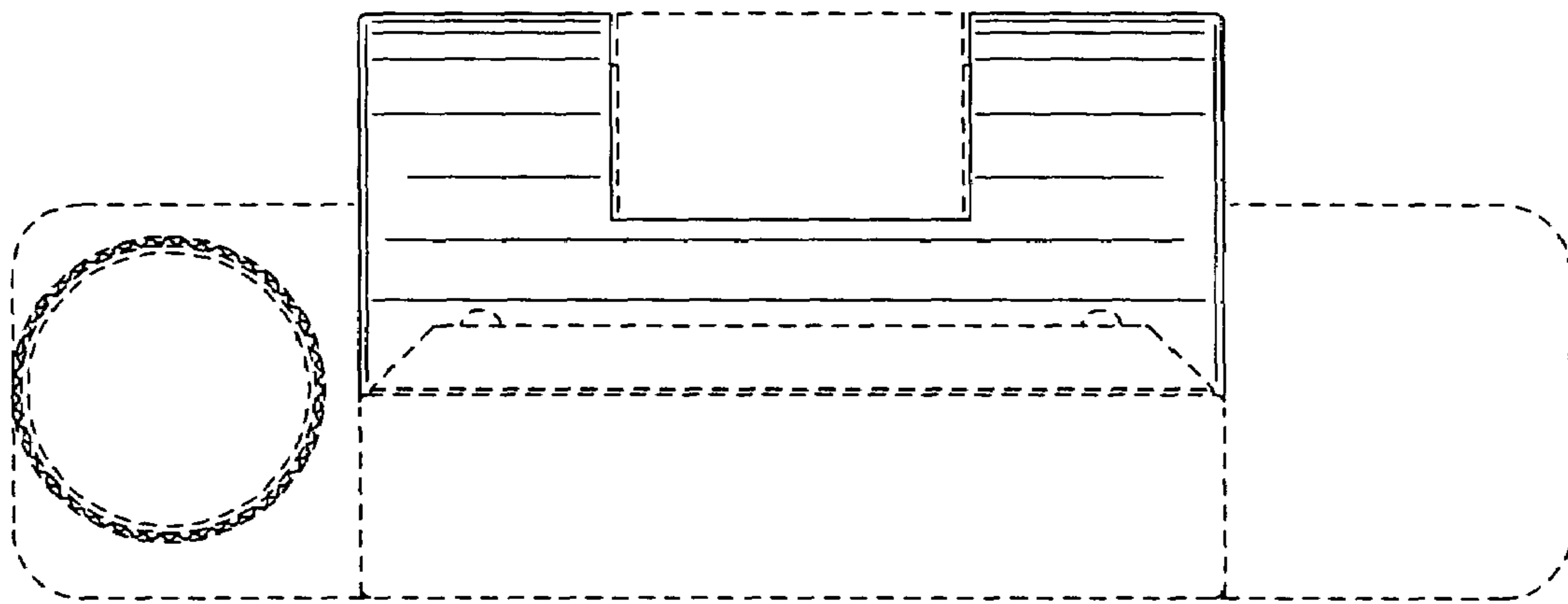


Fig.6

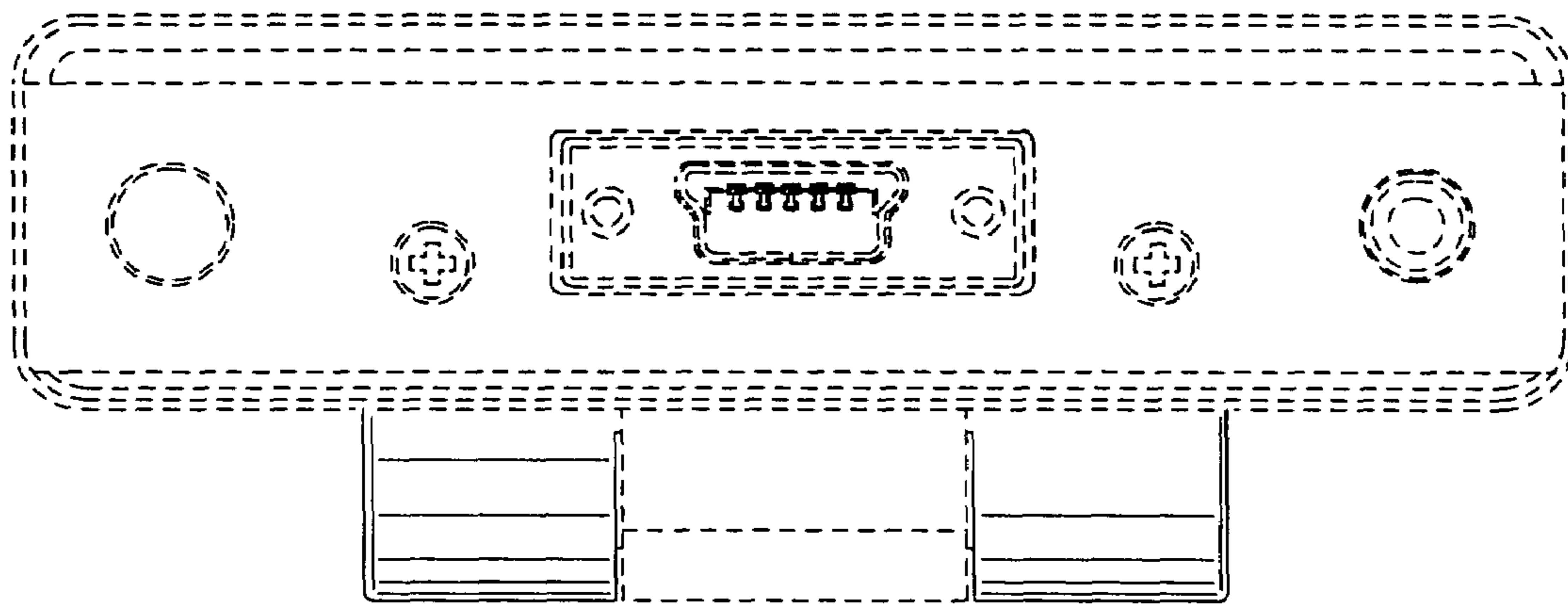


Fig.7

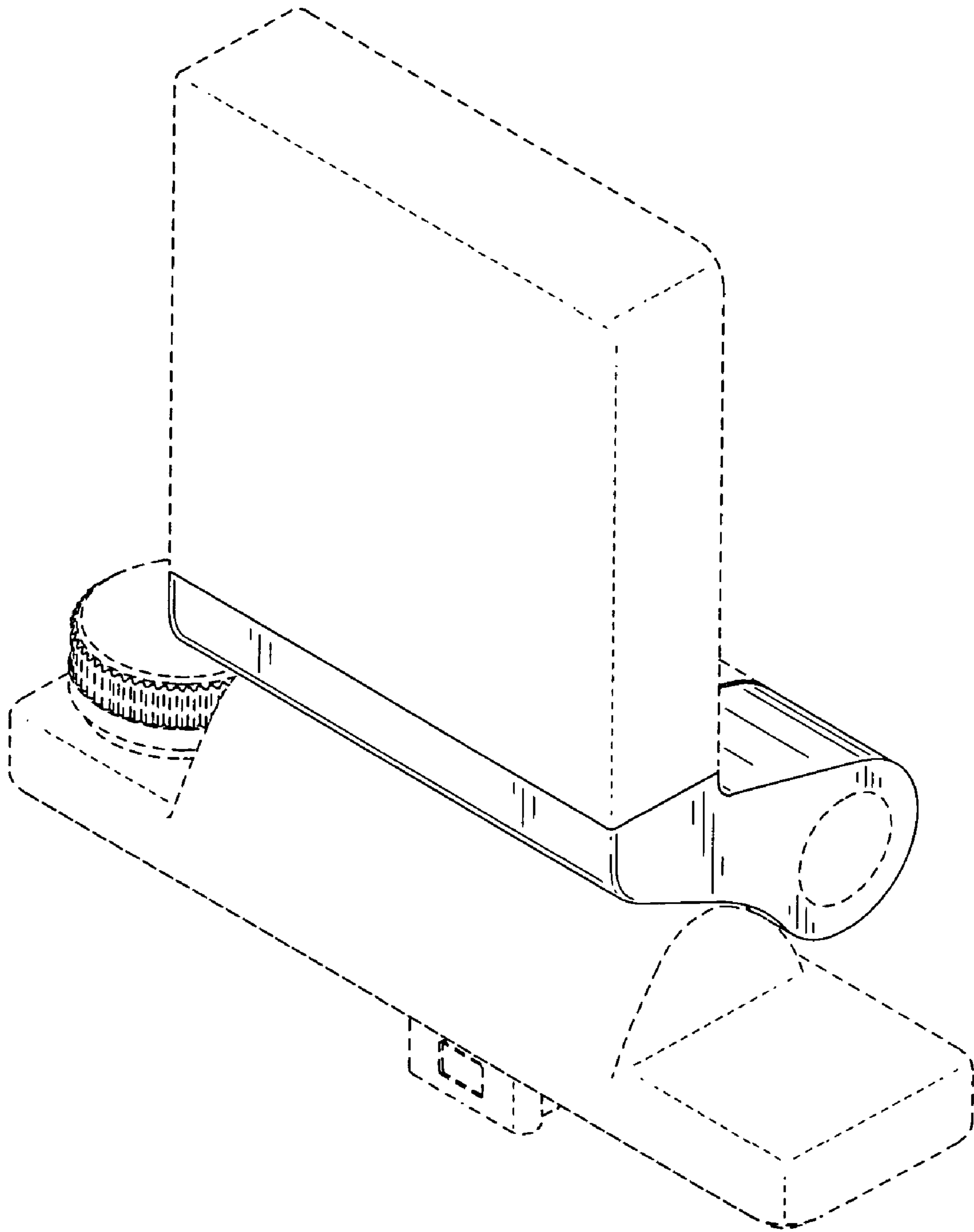


Fig.8

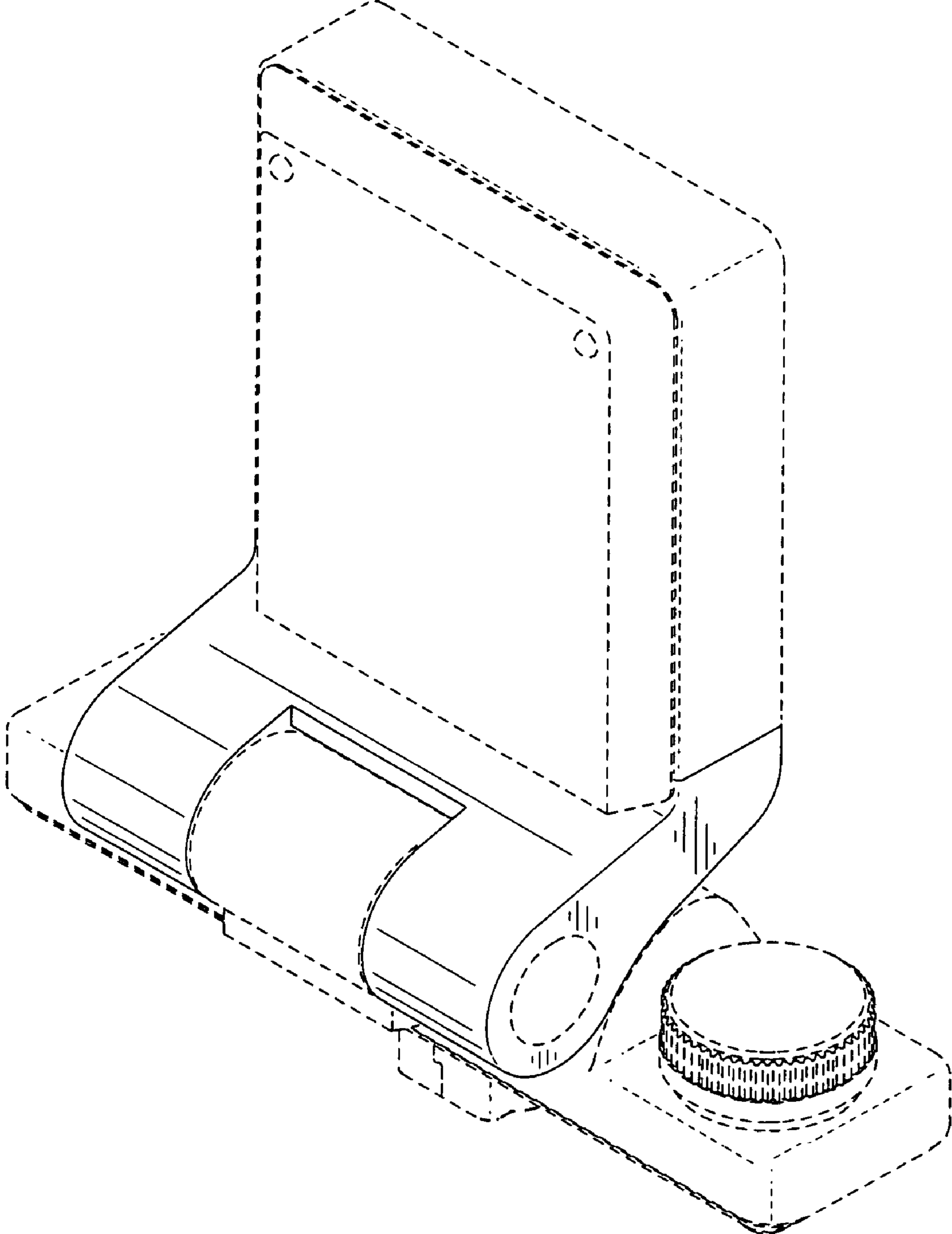


Fig.9

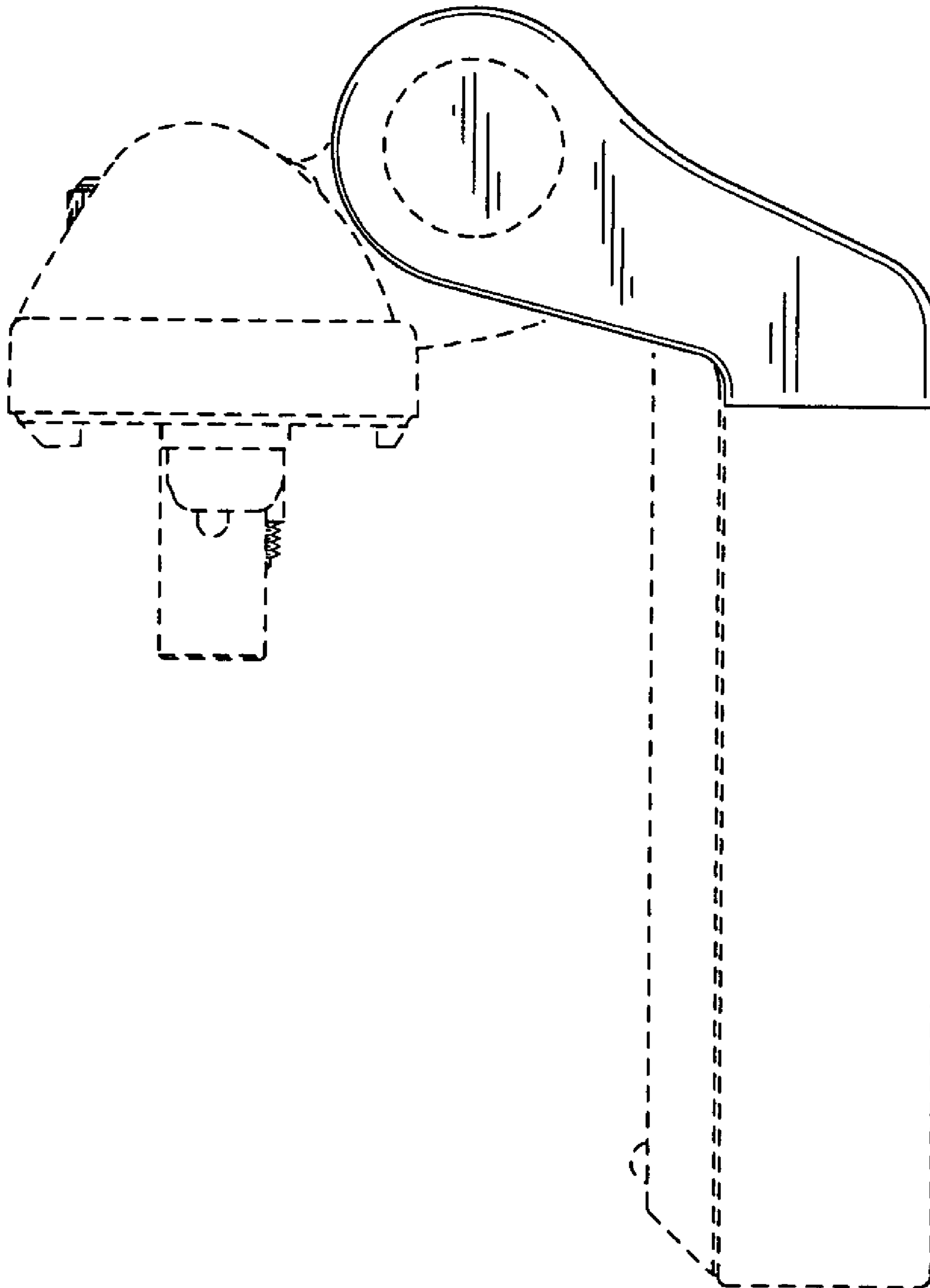


Fig.10

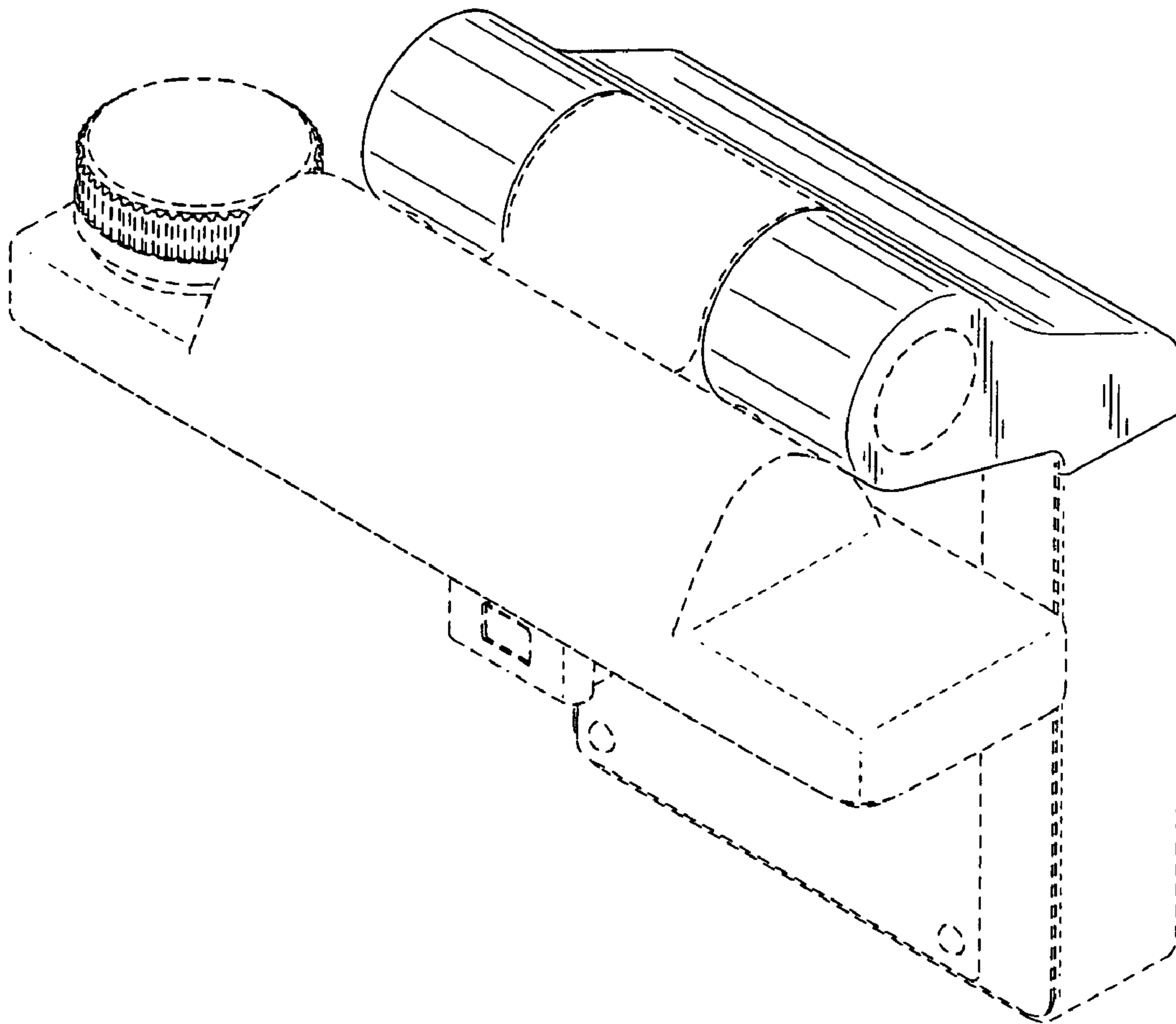
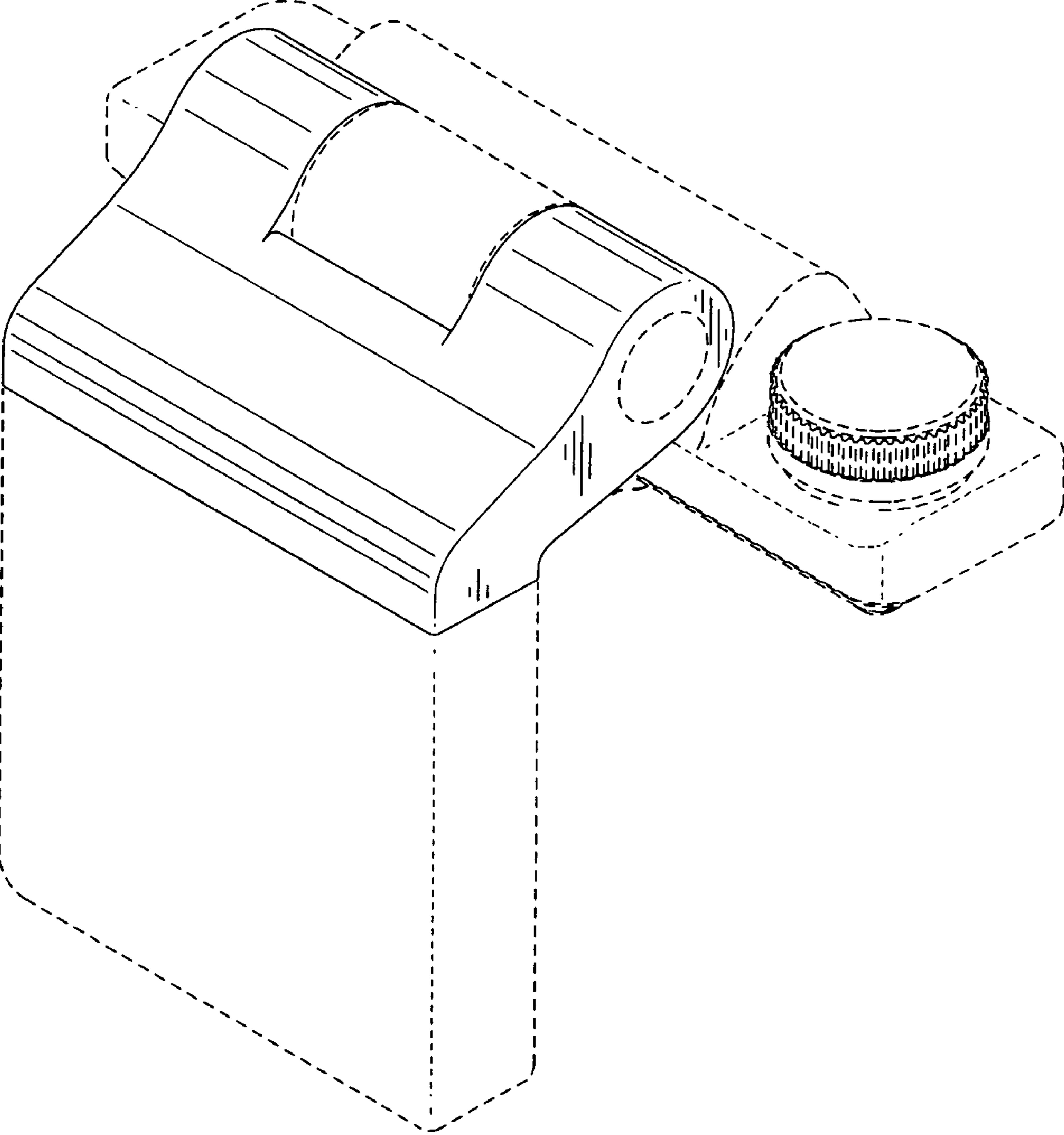


Fig.11



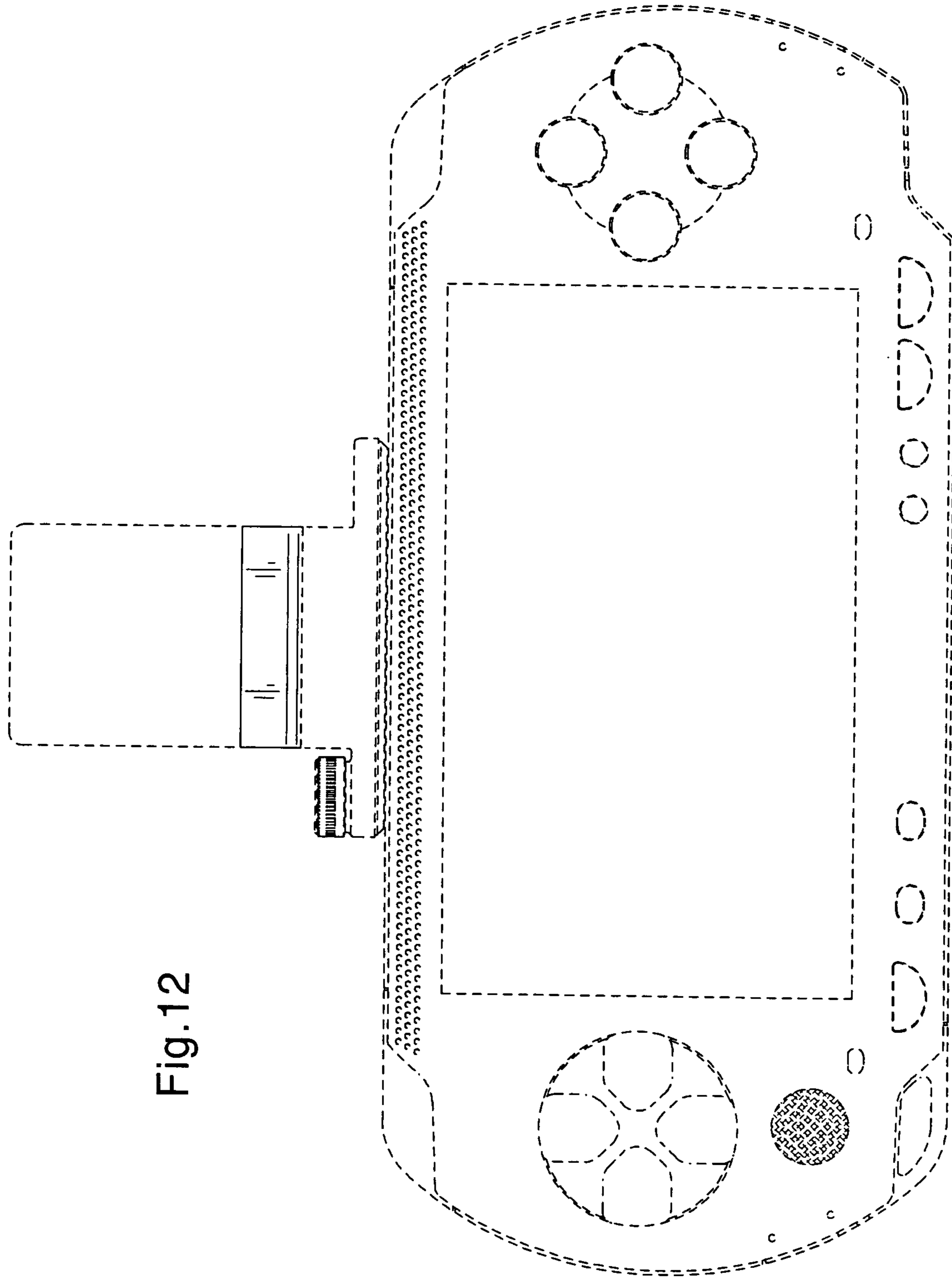


Fig.12