



US00D560521S

(12) **United States Design Patent**  
**Katz**

(10) **Patent No.:** **US D560,521 S**

(45) **Date of Patent:** **\*\* Jan. 29, 2008**

(54) **BOX SPIRIT LEVEL PROFILE**

(75) Inventor: **Gil Katz**, Bikat Beit Hakerem (IL)

(73) Assignee: **Kapro Industries, Ltd** (IL)

(\*\*) Term: **14 Years**

(21) Appl. No.: **29/264,445**

(22) Filed: **Aug. 10, 2006**

(51) **LOC (8) Cl.** ..... **10-04**

(52) **U.S. Cl.** ..... **D10/69**

(58) **Field of Classification Search** ..... D10/69,  
D10/74; D25/121-125; 33/365, 366.11-366.27,  
33/367-391

See application file for complete search history.

(56) **References Cited**

**U.S. PATENT DOCUMENTS**

- 5,075,978 A \* 12/1991 Crowe ..... 33/348.2
- D364,104 S \* 11/1995 Johnson ..... D10/74
- D365,768 S \* 1/1996 Rodriguez ..... D10/69

**OTHER PUBLICATIONS**

Kapro Industries Ltd.; Sold more than a year ago; Design Model Nos. 783 and 981.

\* cited by examiner

*Primary Examiner*—Antoine D. Davis

(74) *Attorney, Agent, or Firm*—Harold L. Novick; The Nath Law Group

(57) **CLAIM**

The ornamental design for a box spirit level profile, as shown and described.

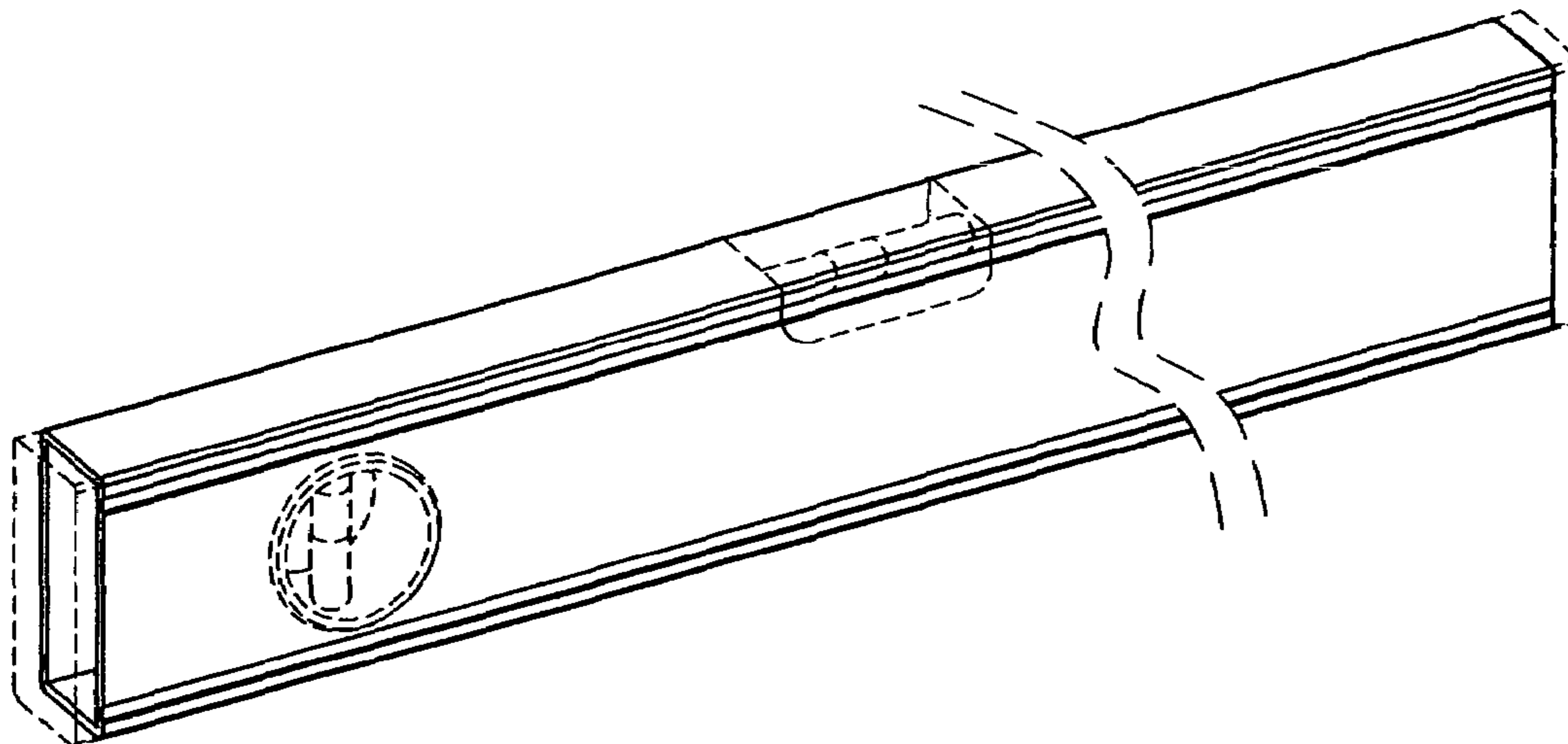
**DESCRIPTION**

FIG. 1 is a top perspective view of a box spirit level profile showing the top surface, the major front surface, and the left side surface, the front major surface depicting a longitudinal channel located at each of its upper and lower margins and co-extensive with its length, and two end caps, two bubble vials and cutouts shown in dashed lines and not forming part of the design;

FIG. 2 is a front elevation view of the box spirit level profile of FIG. 1, the rear elevation view being identical to the front elevation view; and,

FIG. 3 is a cross section view of the box spirit level profile of FIG. 1 taken along line III—III in FIG. 2.

**1 Claim, 2 Drawing Sheets**



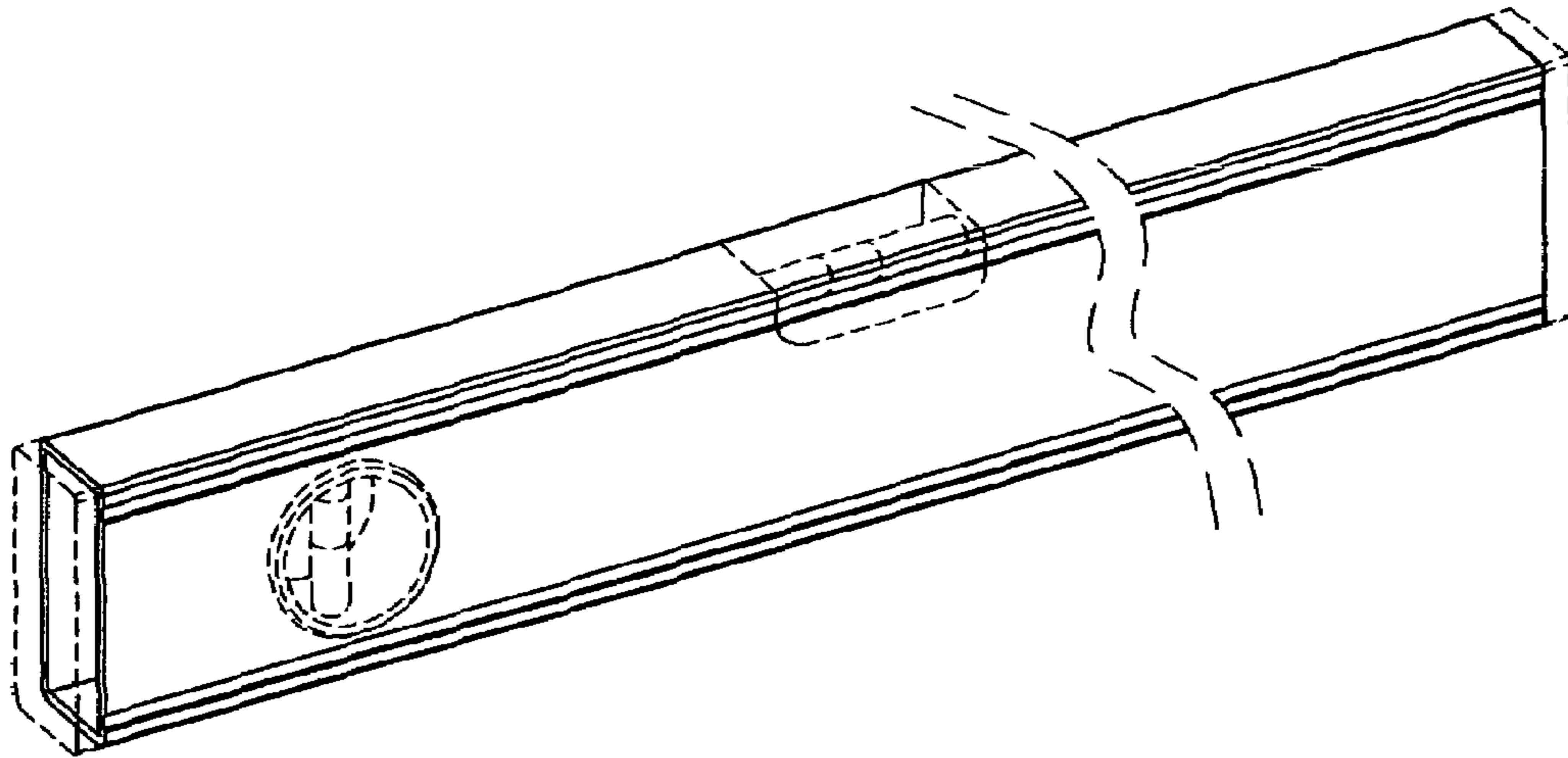


FIG. 1

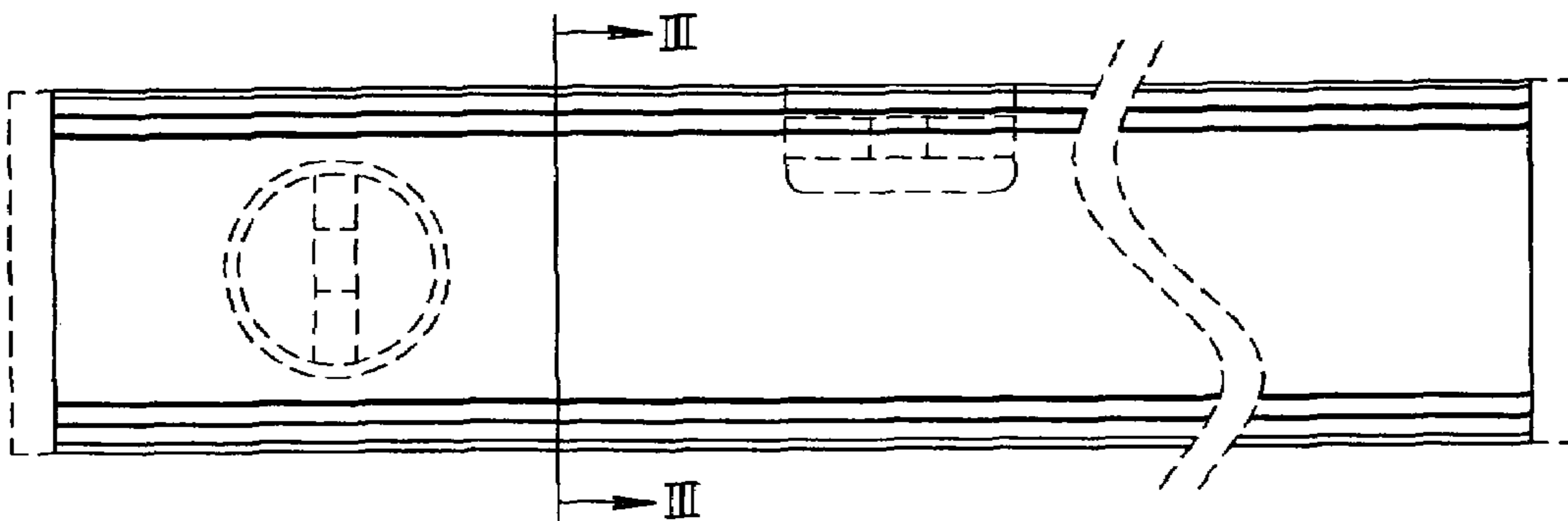


FIG. 2

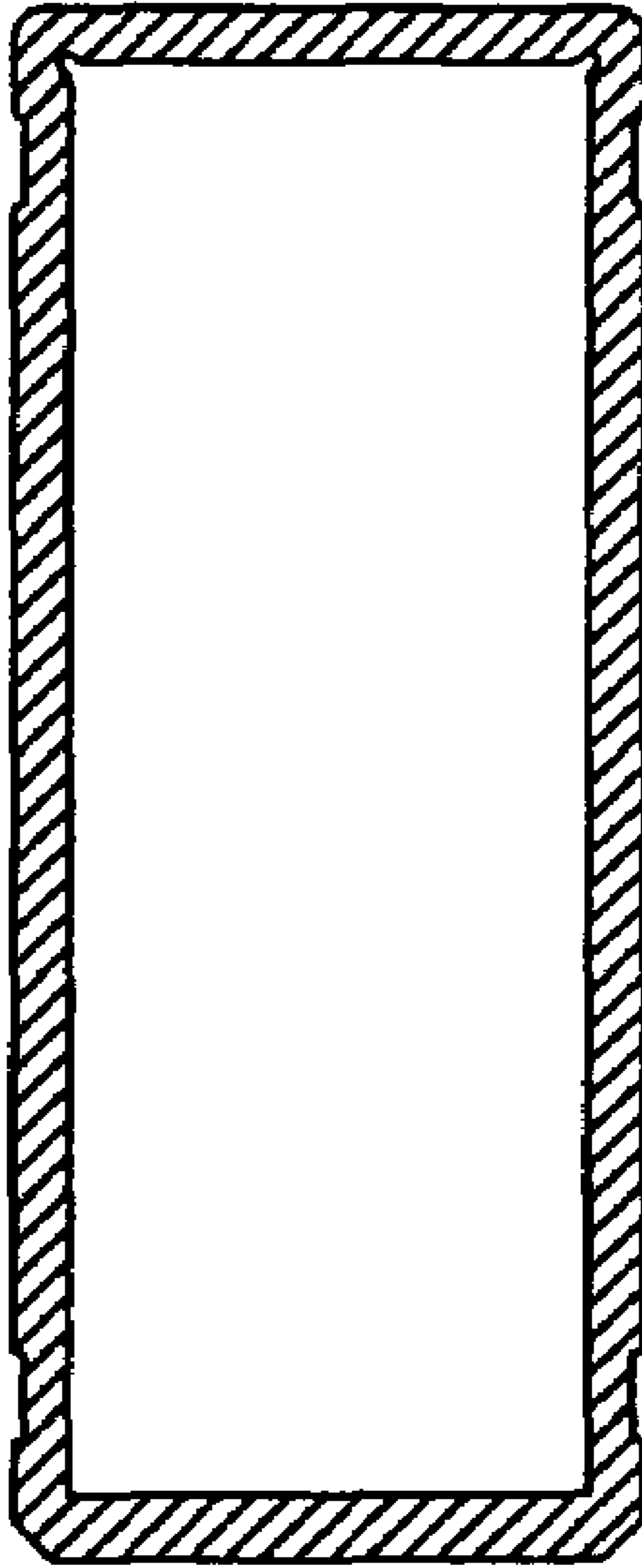


FIG. 3