



US00D560520S

(12) **United States Design Patent** (10) **Patent No.:** **US D560,520 S**  
**Oberrieder et al.** (45) **Date of Patent:** **\*\* Jan. 29, 2008**

(54) **GPS EXERCISE MONITORING DEVICE**

(75) Inventors: **John P. Oberrieder**, Misison, KS (US);  
**Paul E. Skelton**, Lenexa, KS (US);  
**Warren R. Stevens**, Olathe, KS (US);  
**Brian M. Sandefur**, Lawrence, KS  
(US); **David F. Lammers-Meis**, Olathe,  
KS (US)

(73) Assignee: **Garmin Ltd.** (KY)

(\*\*) Term: **14 Years**

(21) Appl. No.: **29/279,537**

(22) Filed: **May 2, 2007**

**Related U.S. Application Data**

(63) Continuation of application No. 29/250,389, filed on  
Nov. 13, 2006, now Pat. No. Des. 550,105, which is  
a continuation of application No. 29/234,483, filed on  
Jul. 18, 2005, now abandoned.

(51) **LOC (8) Cl.** ..... **10-04**

(52) **U.S. Cl.** ..... **D10/65**

(58) **Field of Classification Search** ..... 455/566,  
455/575.1, 151.3, 150.1, 90.1, 12.1, 456.1;  
235/375; 340/539.13, 995.1; D10/65, 80;  
D14/347; 342/357.06-357.13, 351, 419,  
342/457; 348/180, 184, 315, 739; 364/444,  
364/499; 701/206-209, 213, 214; 343/702;  
345/87, 104, 133, 156, 168, 173, 901-905  
See application file for complete search history.

(56) **References Cited**

**U.S. PATENT DOCUMENTS**

5,219,067 A 6/1993 Lima et al.  
5,781,155 A 7/1998 Woo et al.  
D400,112 S 10/1998 Rider  
6,564,075 B1 5/2003 Mitamura  
D509,760 S 9/2005 Burrell et al.  
6,976,937 B2 12/2005 Chen  
D516,440 S 3/2006 Yan  
D518,742 S 4/2006 Yan

7,042,337 B2 5/2006 Borders et al.  
D536,265 S \* 2/2007 Reynoso ..... D10/65  
7,205,889 B2 \* 4/2007 Howe et al. .... 340/539.13  
D549,602 S \* 8/2007 Oberrieder et al. .... D10/65  
2006/0237760 A1 10/2006 Sakashita

**OTHER PUBLICATIONS**

Garmin Forerunner 201 Owner's Manual, Apr. 2005.  
Royaltex Sport GPS displayed at the Taipei COMPUTEX show  
sometime between May 31, 2005 and Jun. 4, 2005.  
Product Description for that Paroos G-100 Launched in Jul. 2005,  
in Korea.  
Timeline for that Paroos G-100 Launched in Jul. 2005, in Korea.  
Pocket Lint article describing the Navman Sport Tool GPS, dated  
Jan. 2005.  
TechDigest UK article describing the Navman Sport Tool GPS, dated  
Jan. 2005.

\* cited by examiner

*Primary Examiner*—Antoine D. Davis  
(74) *Attorney, Agent, or Firm*—Kevin E. West; Samuel M.  
Korte

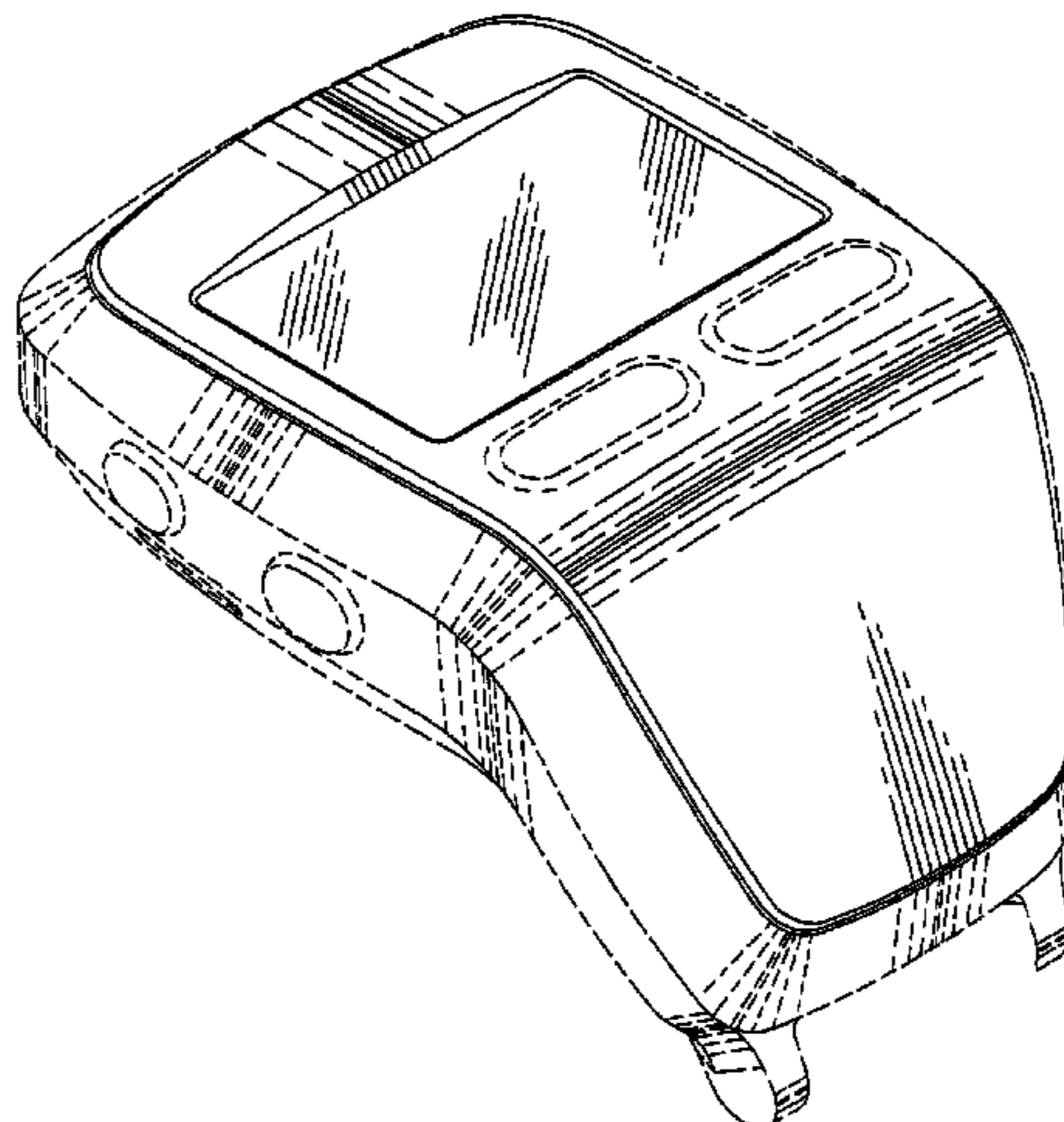
(57) **CLAIM**

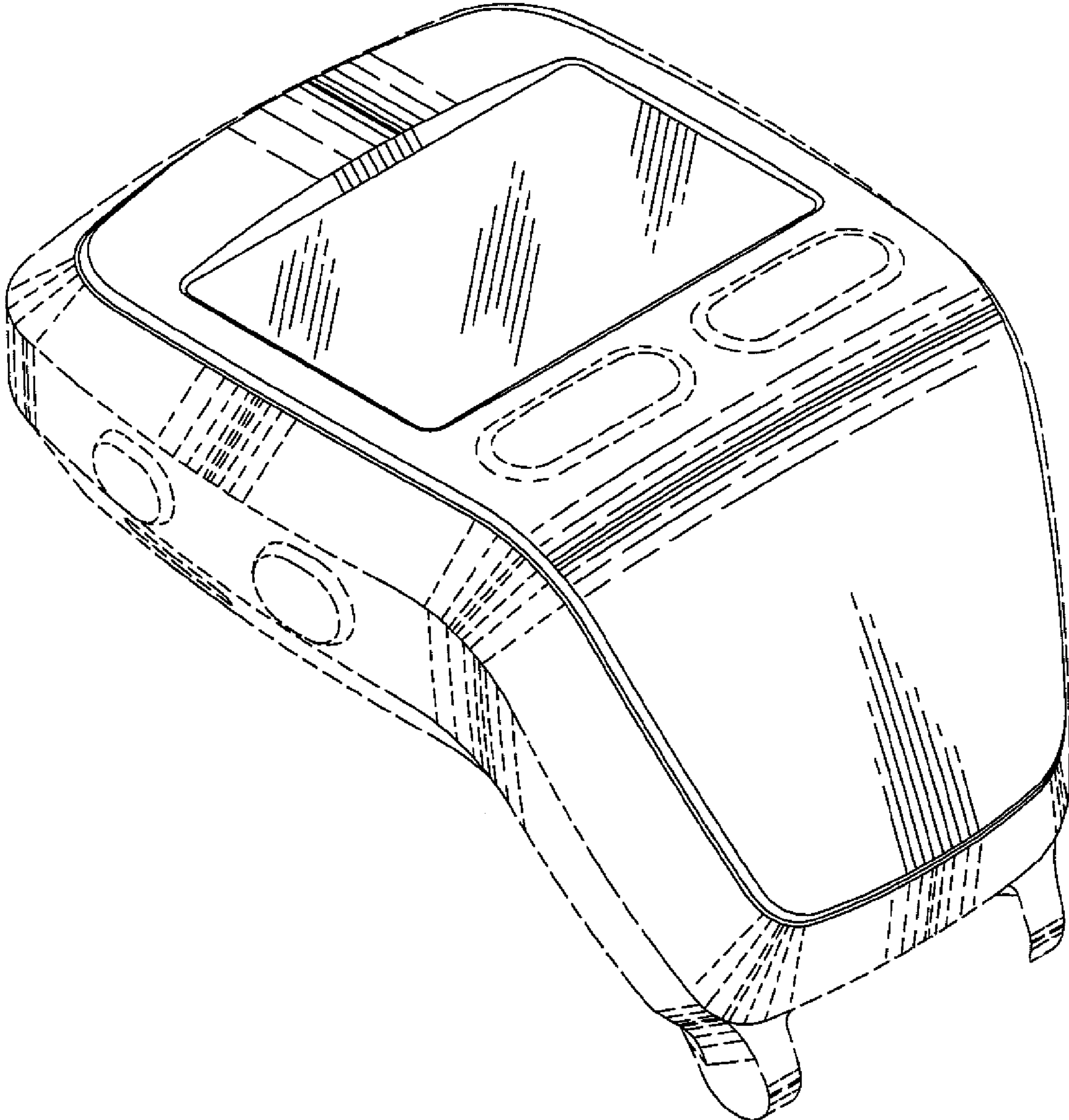
The ornamental design for a GPS exercise monitoring  
device, as shown and described.

**DESCRIPTION**

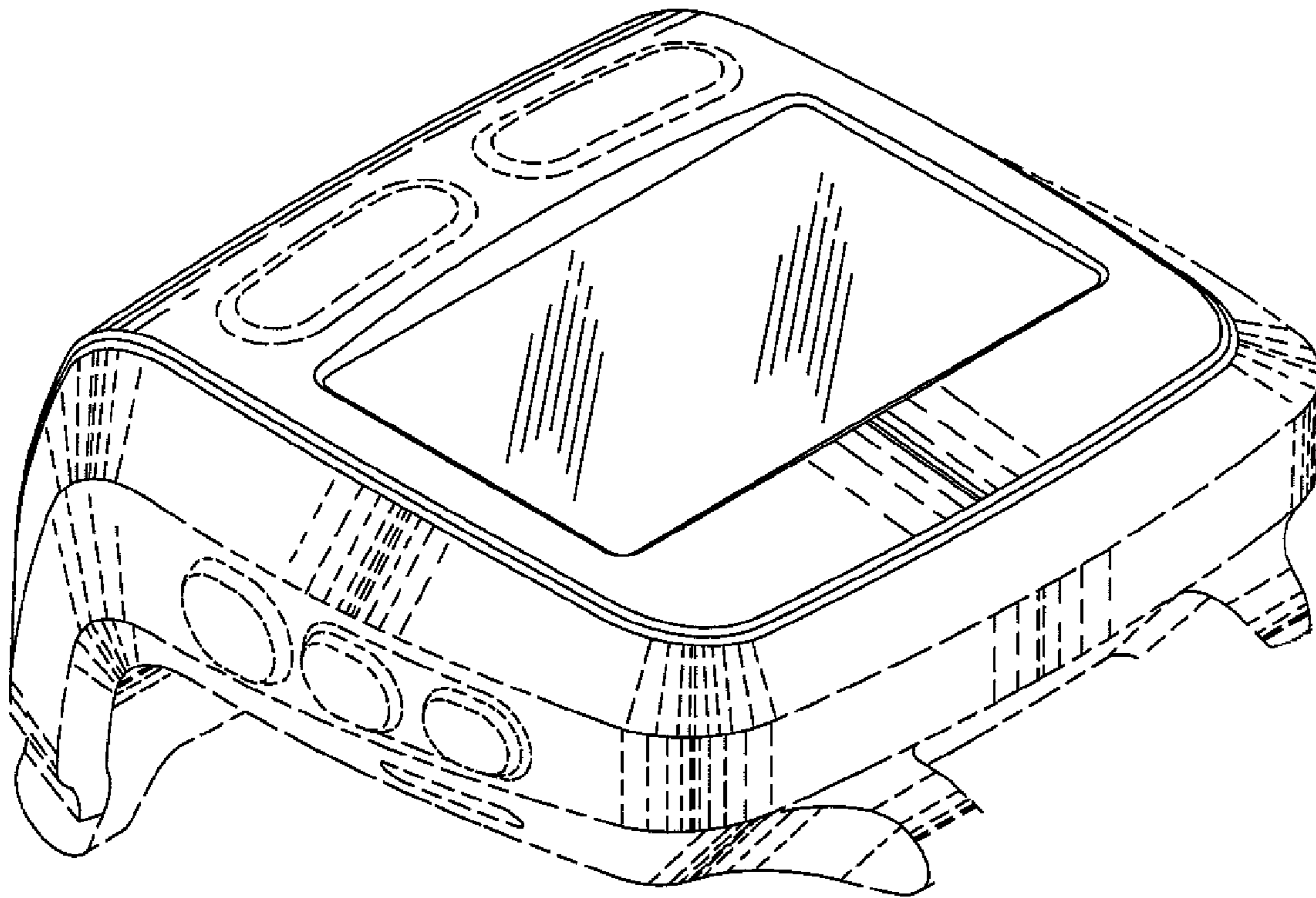
FIG. 1 is a first perspective view of a GPS exercise moni-  
toring device according to the present invention;  
FIG. 2 is a second perspective view thereof;  
FIG. 3 is a top plan view thereof;  
FIG. 4 is a bottom plan view thereof;  
FIG. 5 is a first end view thereof;  
FIG. 6 is a second end view opposite the first end thereof;  
FIG. 7 is a left side view thereof; and,  
FIG. 8 is a right side view thereof.  
Those portions shown in broken lines are for illustrative  
purposes only and form no part of the claimed design.

**1 Claim, 8 Drawing Sheets**

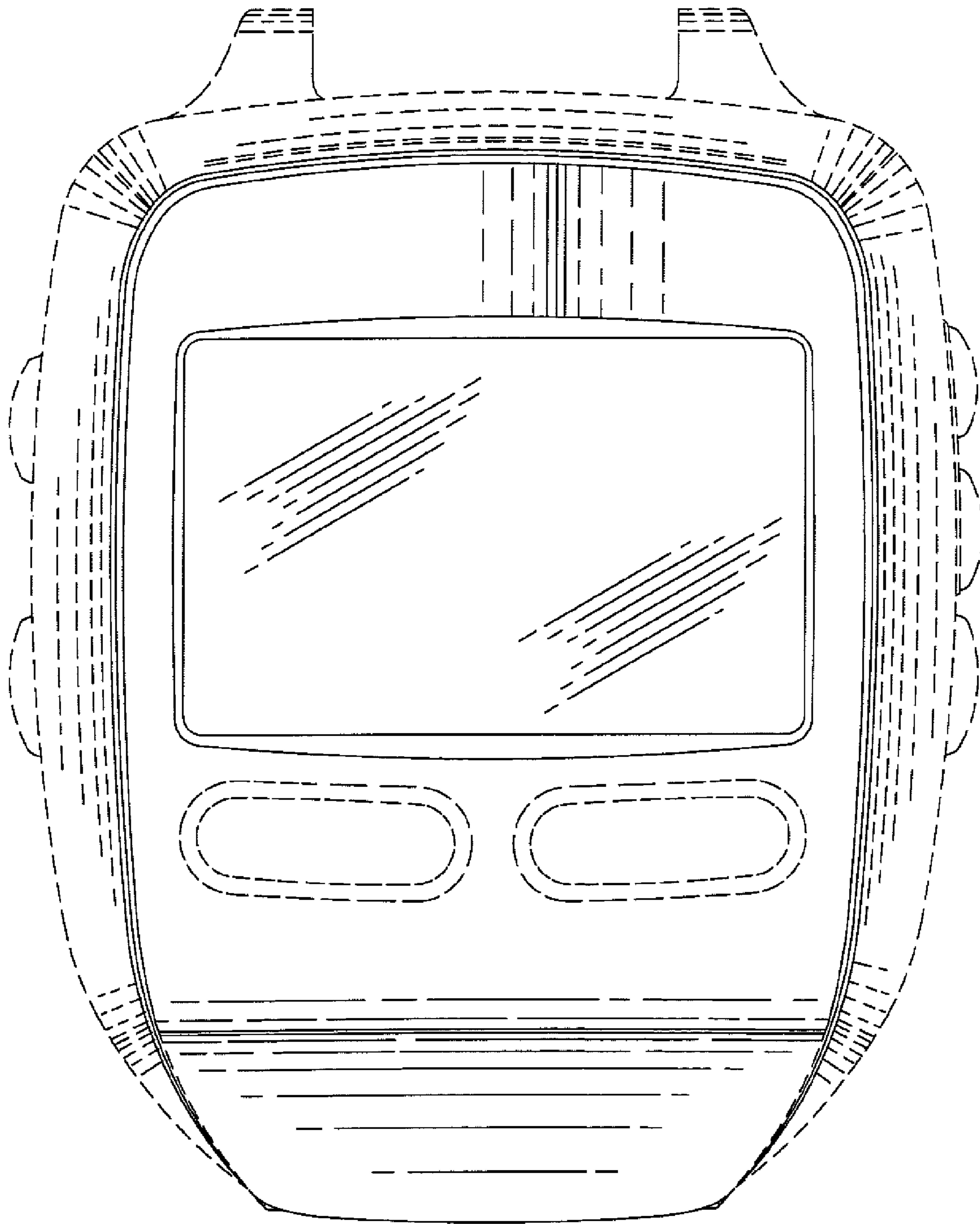




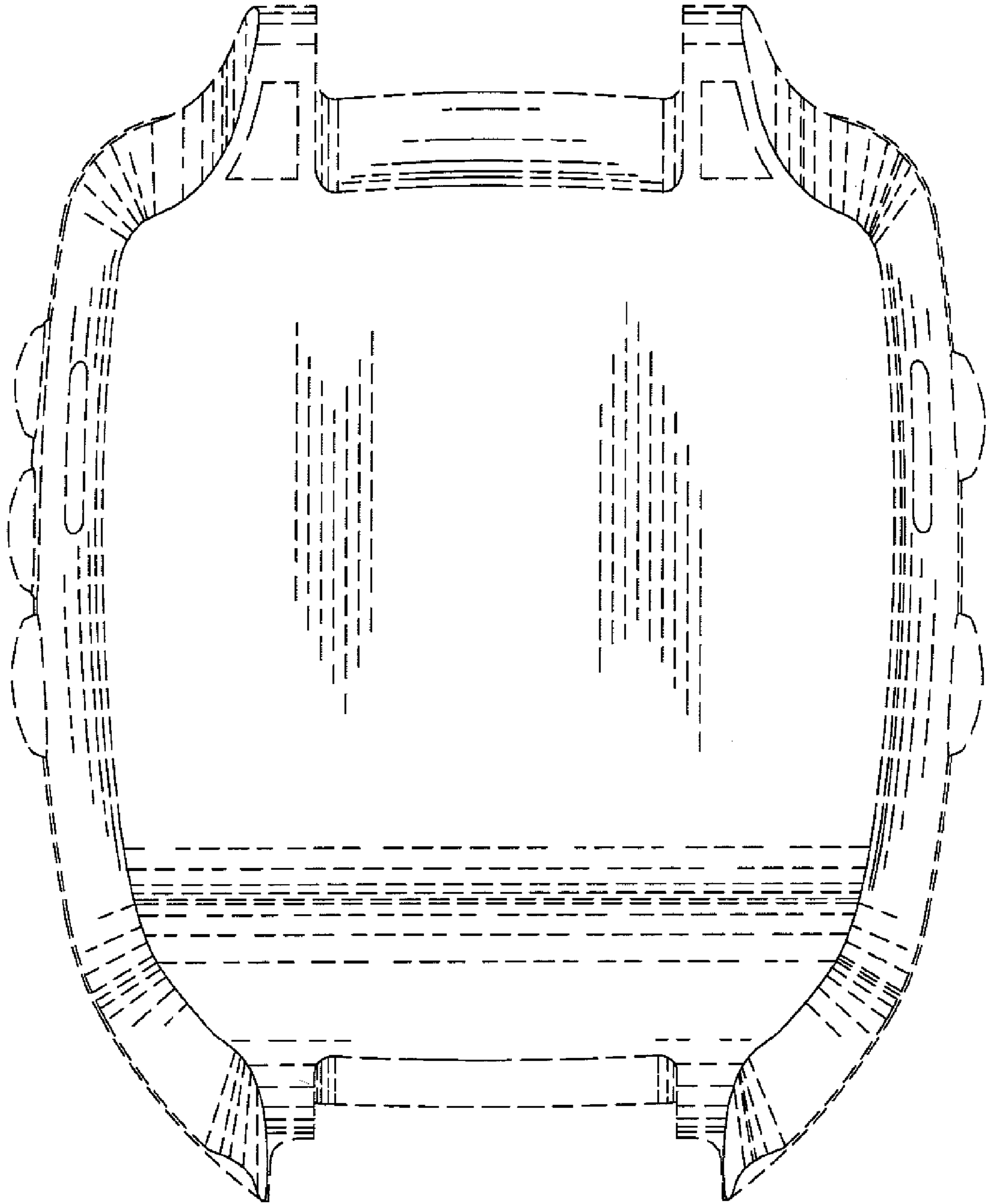
*Fig. 1.*



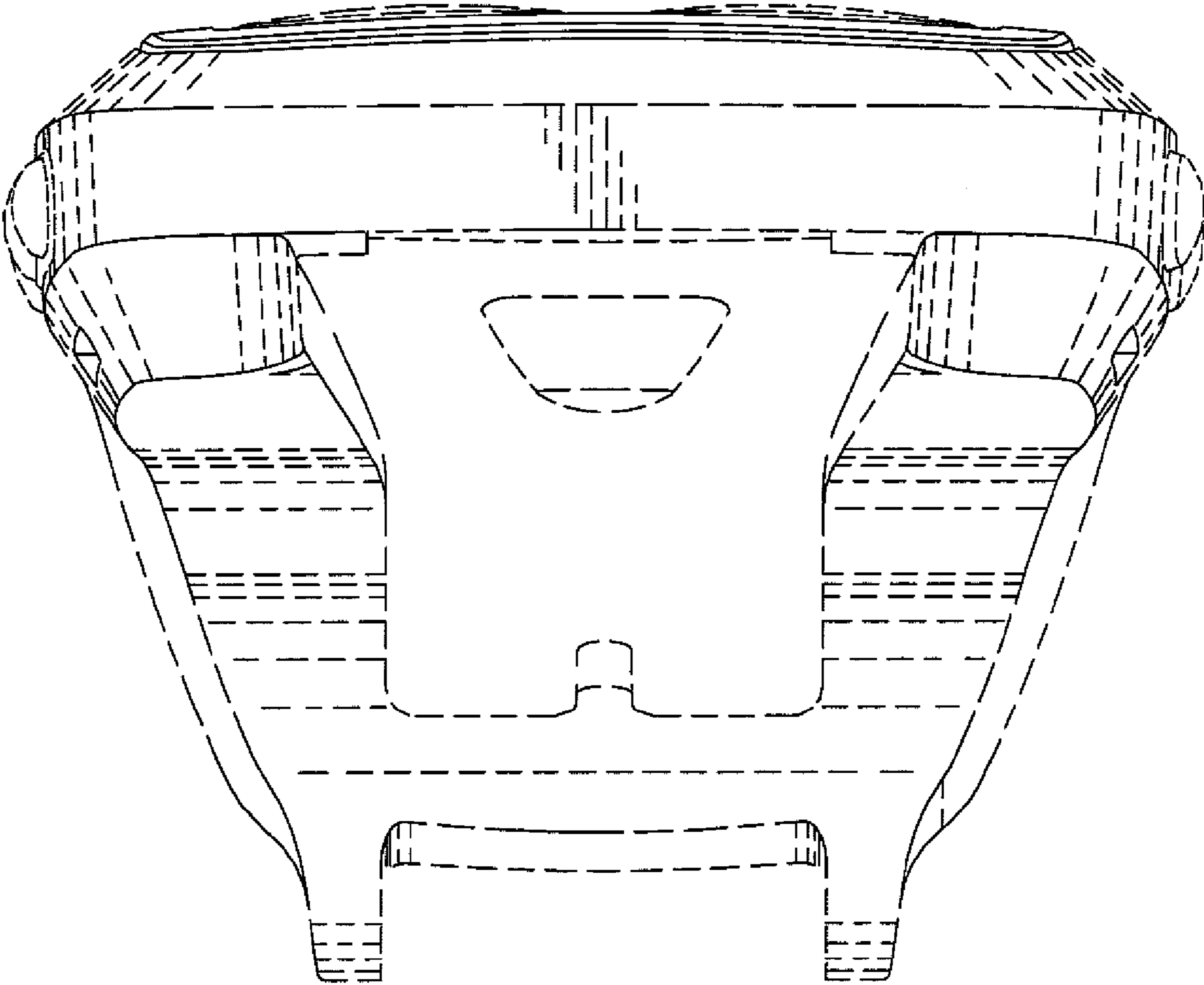
*Fig. 2.*



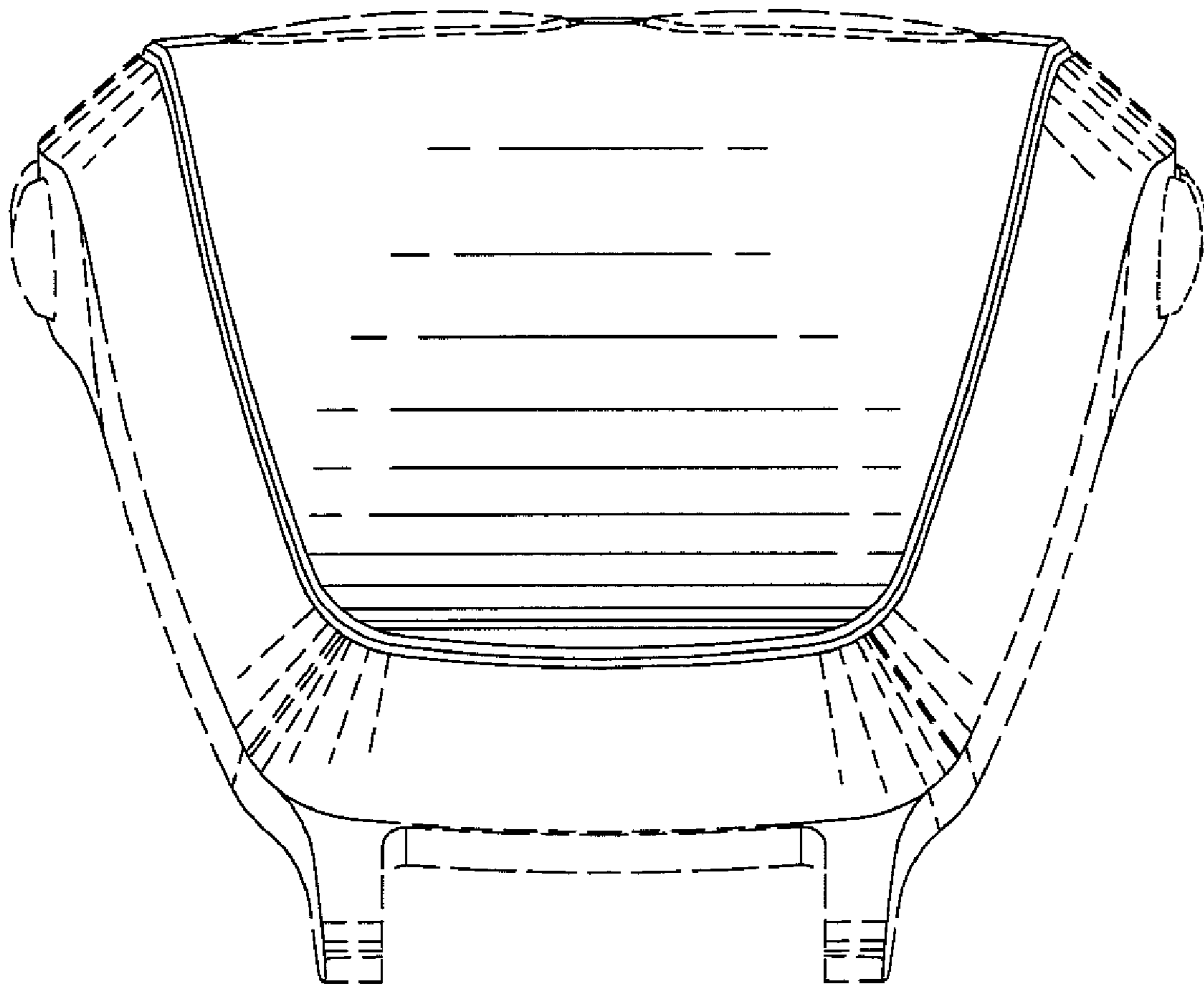
*Fig. 3.*



*Fig. 4.*

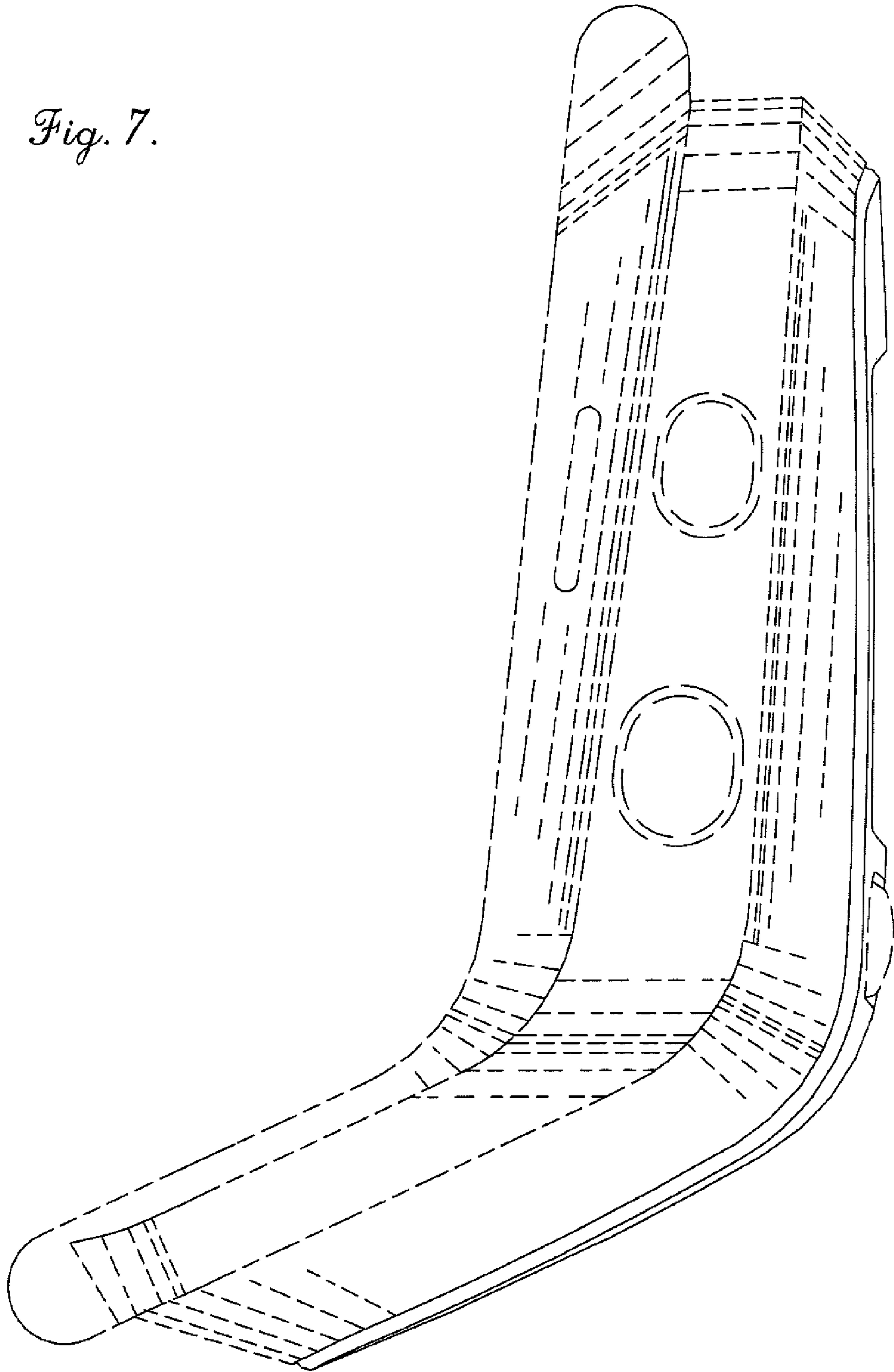


*Fig. 5.*

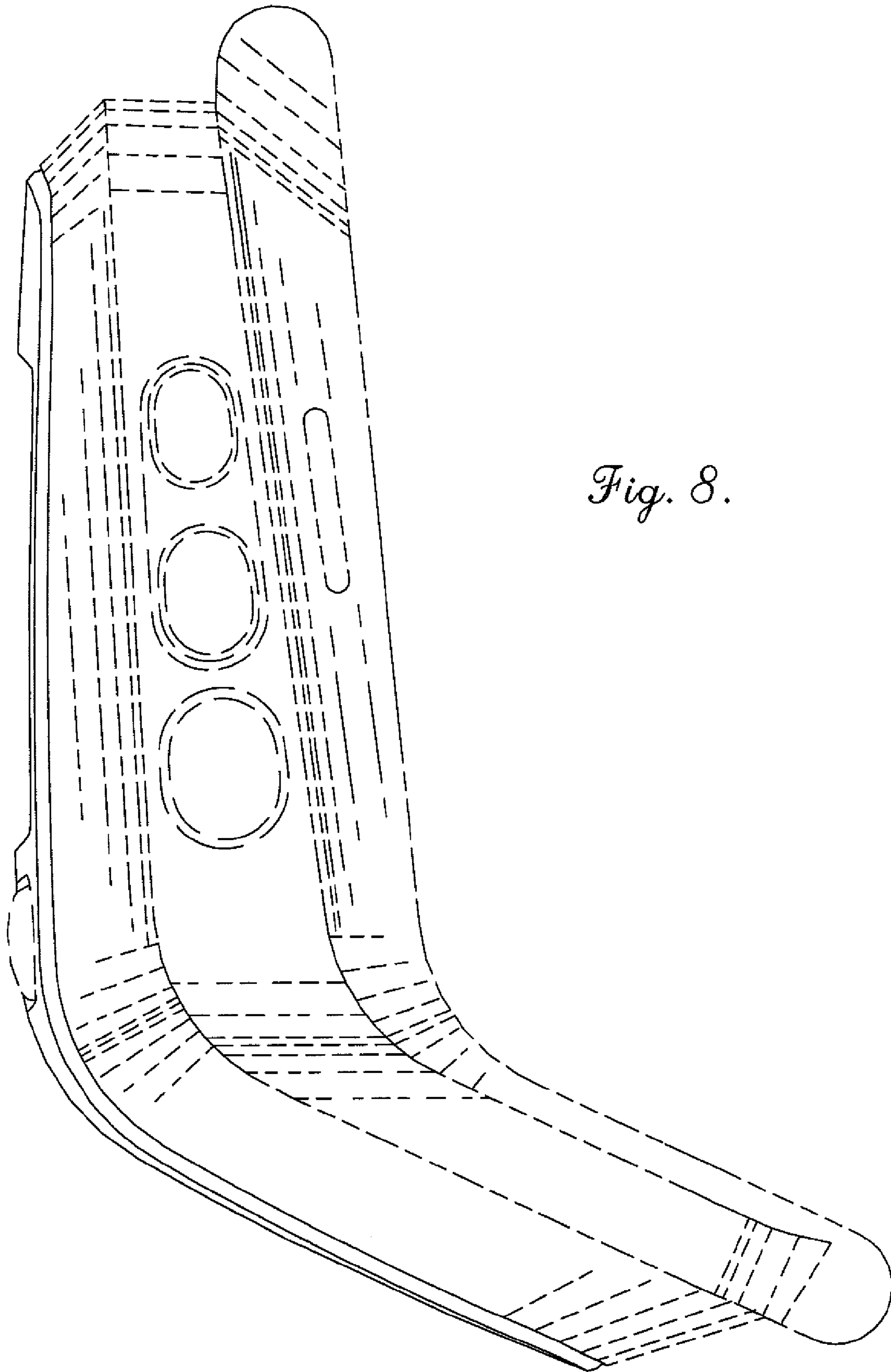


*Fig. 6.*

*Fig. 7.*







*Fig. 8.*