



US00D560517S

(12) **United States Design Patent**
Rosen

(10) **Patent No.:** **US D560,517 S**

(45) **Date of Patent:** **** Jan. 29, 2008**

(54) **OVAL THERMOSTAT WITH ROLLER**

D498,685 S * 11/2004 Friedman D10/50

(76) Inventor: **Howard Rosen**, 1 Lyncroft Road,
Montreal, Quebec (CA) H3X 3E3

* cited by examiner

(**) Term: **14 Years**

Primary Examiner—Antoine D. Davis
(74) *Attorney, Agent, or Firm*—Marc E. Hankin; Hankin
Patent Law, APC

(21) Appl. No.: **29/276,513**

(22) Filed: **Jan. 26, 2007**

(57) **CLAIM**

(51) **LOC (8) Cl.** **10-04**

The ornamental design for an oval thermostat with roller, as
shown and described.

(52) **U.S. Cl.** **D10/50**

(58) **Field of Classification Search** 340/870.17,
340/7.21–7.24, 7.32, 825.6, 825.72, 539.1,
340/539.11, 539.14, 539.21, 539.26, 426.21,
340/584, 589; 374/167; 400/485; 455/420,
455/226.1; D10/49–50; 236/5, 46–47, 49.3,
236/51, 84, 94

DESCRIPTION

See application file for complete search history.

FIG. 1 is a three-quarter perspective view of an oval
thermostat with roller showing my new design.

FIG. 2 is a side view thereof.

FIG. 3 is an end view thereof.

FIG. 4 is another end view thereof; and,

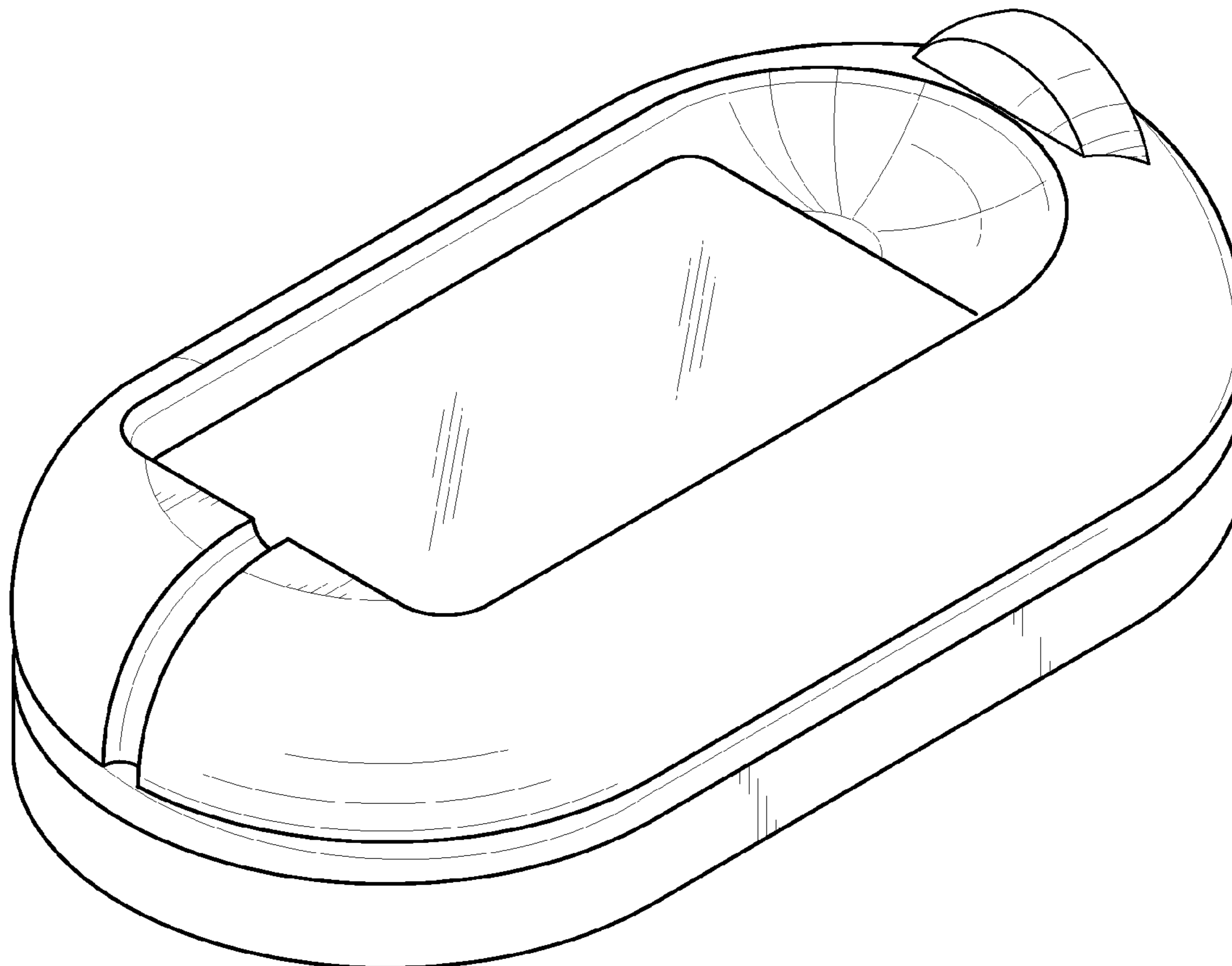
FIG. 5 is a top plan view thereof.

(56) **References Cited**

U.S. PATENT DOCUMENTS

D429,697 S * 8/2000 Monaco et al. D10/50

1 Claim, 3 Drawing Sheets



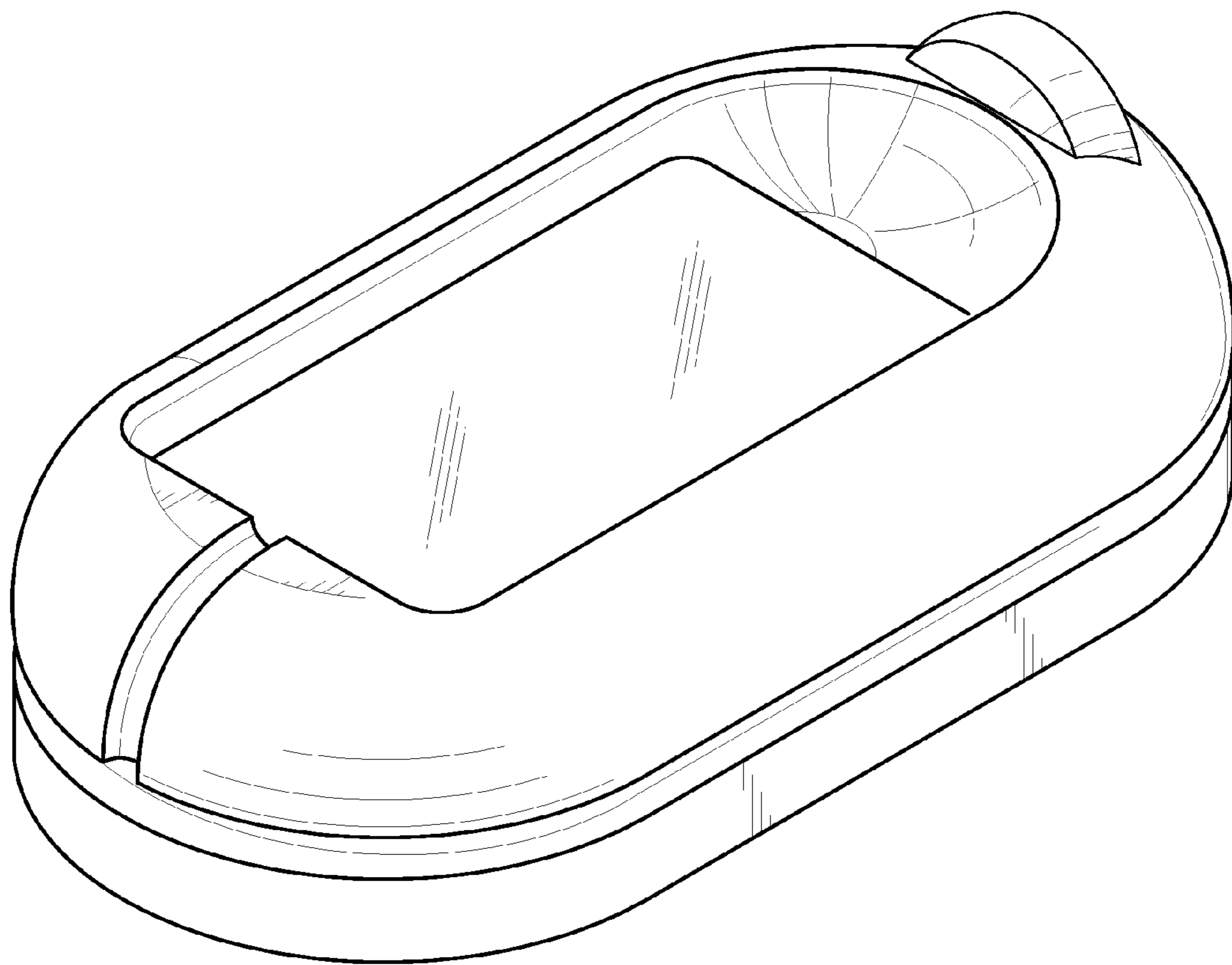


FIG. 1

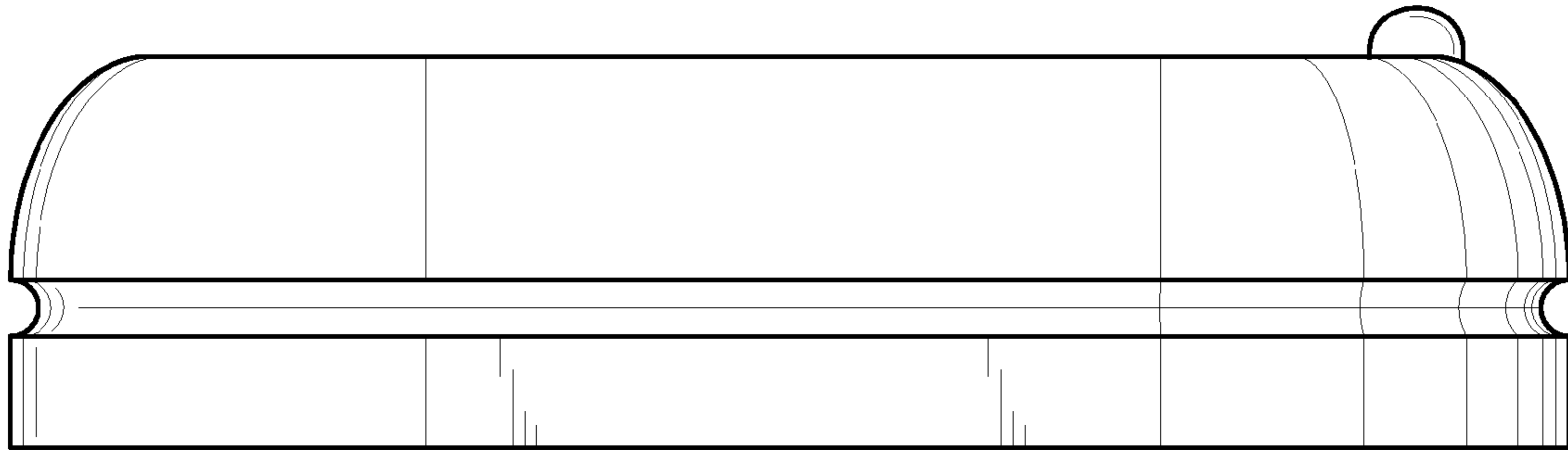


FIG. 2

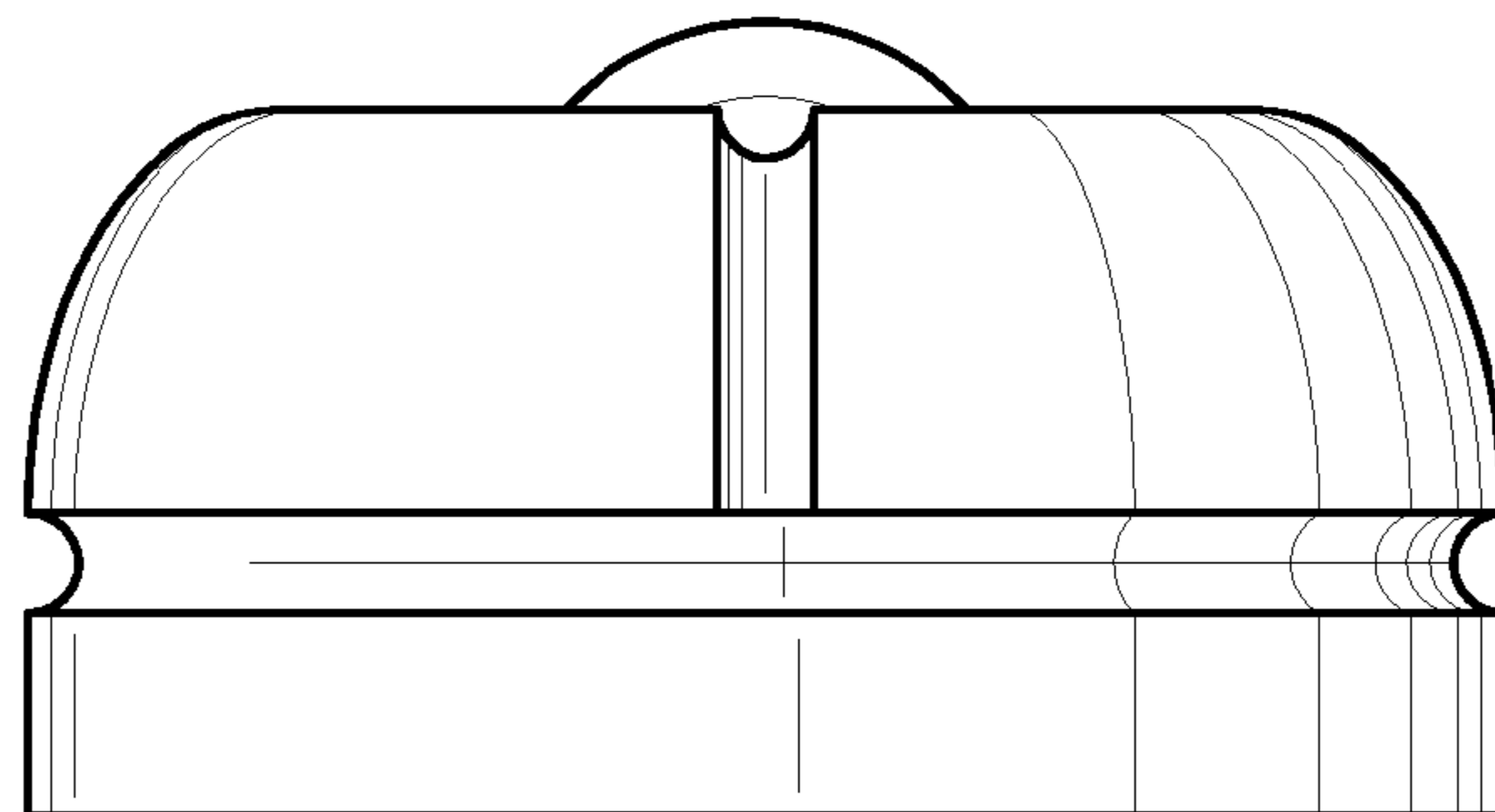


FIG. 3

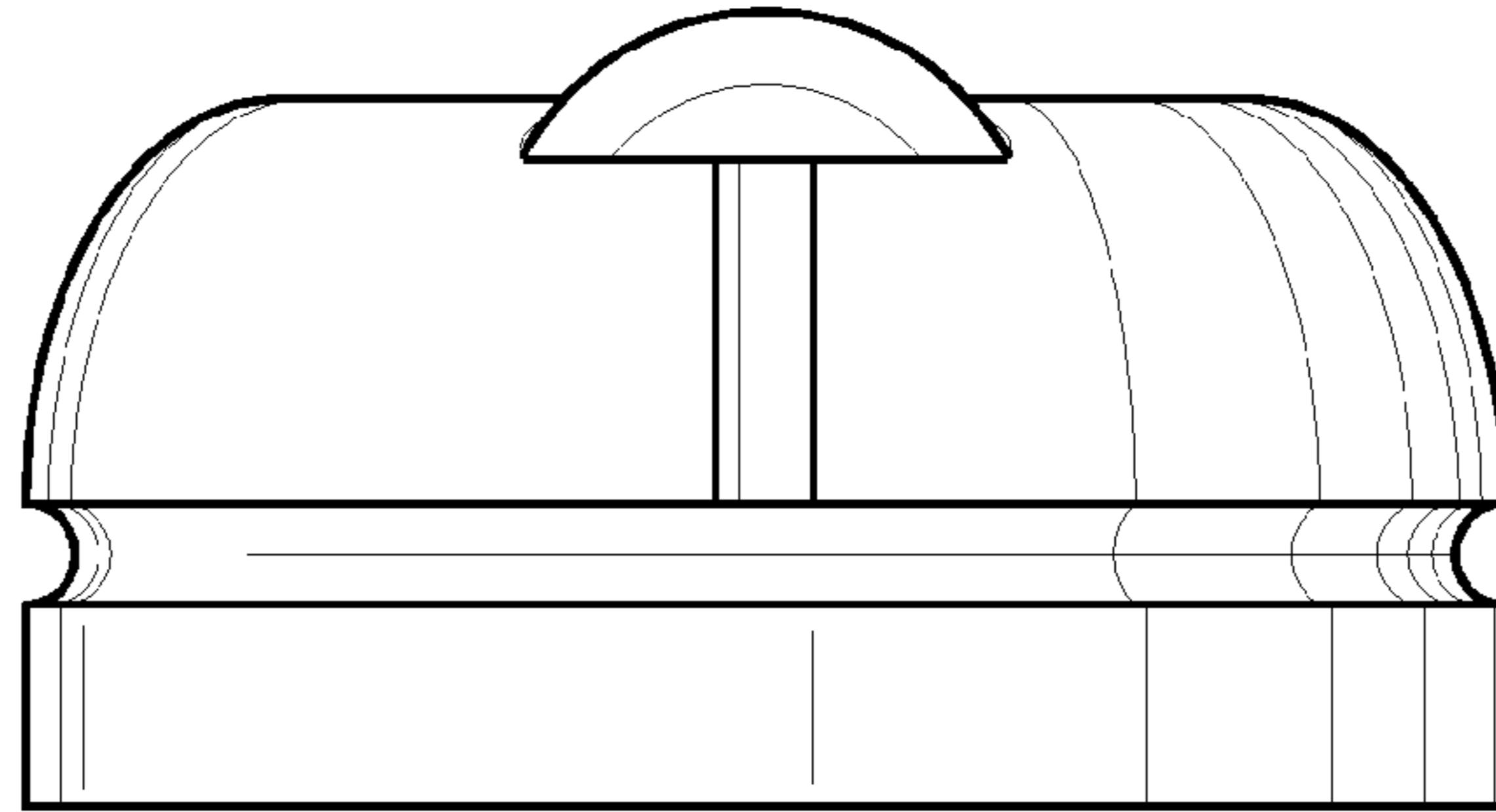


FIG. 4

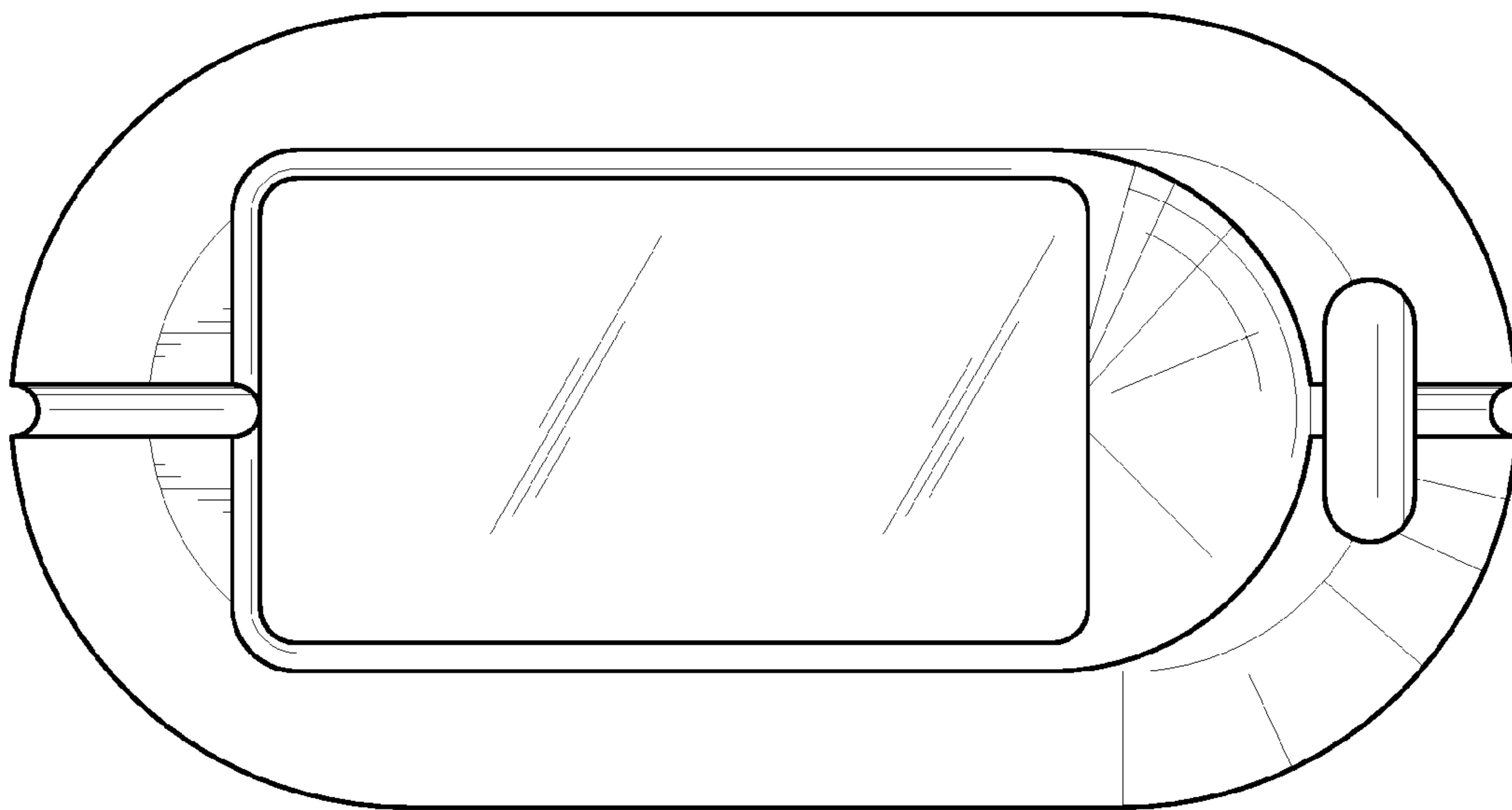


FIG. 5