

US00D560508S

(12) **United States Design Patent**
Lepoitevin

(10) **Patent No.:** **US D560,508 S**

(45) **Date of Patent:** **** Jan. 29, 2008**

(54) **BOTTLE**

(75) Inventor: **Laurent Lepoitevin**, Le Havre Cedex
(FR)

(73) Assignee: **Sidel Participations**, Octeville sur Mer
(FR)

(**) Term: **14 Years**

(21) Appl. No.: **29/270,767**

(22) Filed: **Jan. 3, 2007**

(30) **Foreign Application Priority Data**

Jul. 4, 2006 (EM) 000554860

(51) **LOC (8) Cl.** **09-01**

(52) **U.S. Cl.** **D9/658; D9/539; D9/553**

(58) **Field of Classification Search** D9/600,
D9/643-647, 655-664, 500-503, 516, 537-543,
D9/549-558; 206/457-458; 215/370, 400,
215/379-383; 220/890

See application file for complete search history.

(56) **References Cited**

U.S. PATENT DOCUMENTS

D224,511 S * 8/1972 Koenigsberg D9/553
D428,573 S * 7/2000 Colonna et al. D9/658

D449,001 S * 10/2001 Boussiquet et al. D9/539
D454,073 S * 3/2002 Crawford D9/553
D503,625 S * 4/2005 Nelson et al. D9/538
D525,138 S * 7/2006 Shmagin et al. D9/538
D527,643 S * 9/2006 Gottlieb D9/538
D541,665 S * 5/2007 Druart D9/614

* cited by examiner

Primary Examiner—Sandra L. Morris

(74) *Attorney, Agent, or Firm*—Marshall, Gerstein & Borun
LLP

(57) **CLAIM**

The ornamental design for a bottle, as shown and described.

DESCRIPTION

FIGS. 1 and 2 are perspective views of a bottle that has the design.

FIG. 3 is a side view of the bottle.

FIG. 4 is a view of the side of the bottle, rotated 90° from the view of FIG. 3. The opposite side view is identical.

FIG. 5 is a view of the side of the bottle, rotated 180° from the view of FIG. 3.

FIG. 6 is a top view of the bottle; and,

FIG. 7 is a bottom view of the bottle.

1 Claim, 6 Drawing Sheets

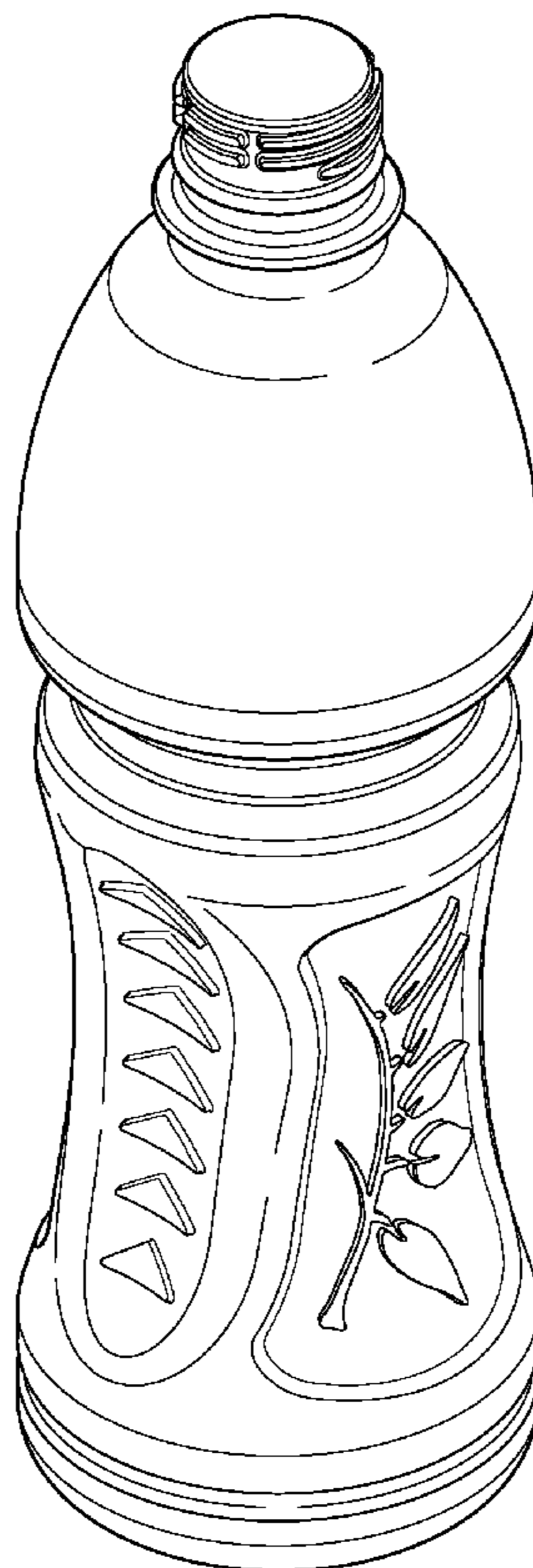


FIG. 1

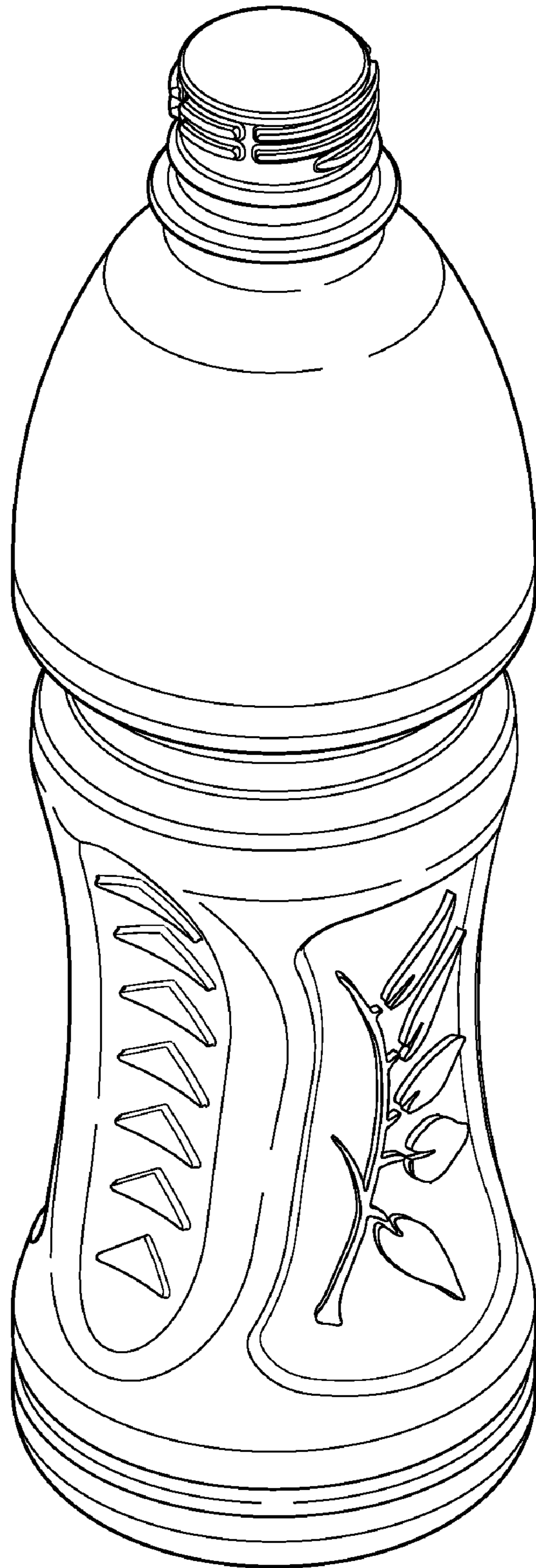


FIG. 2

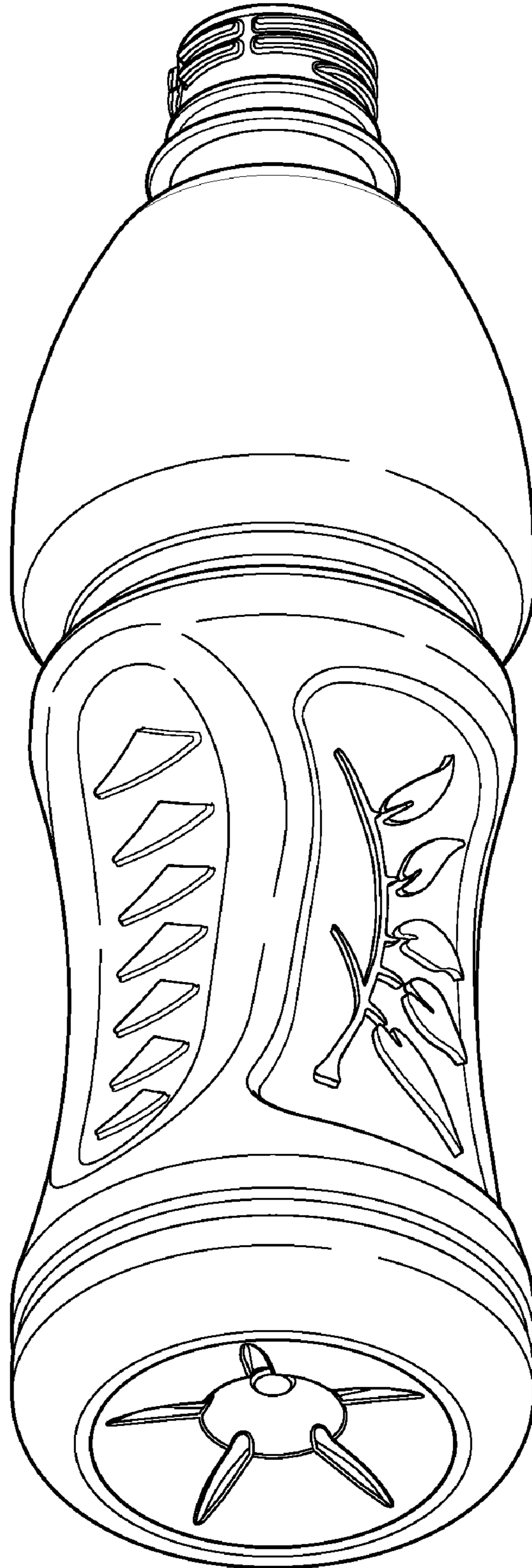


FIG. 3

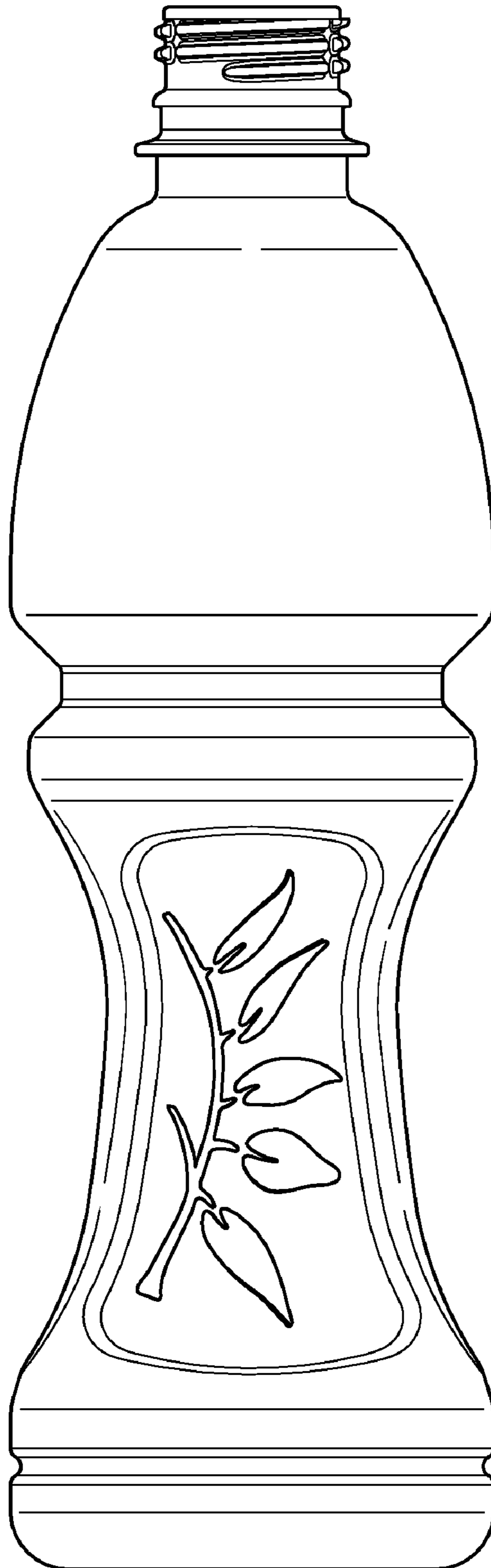


FIG. 4

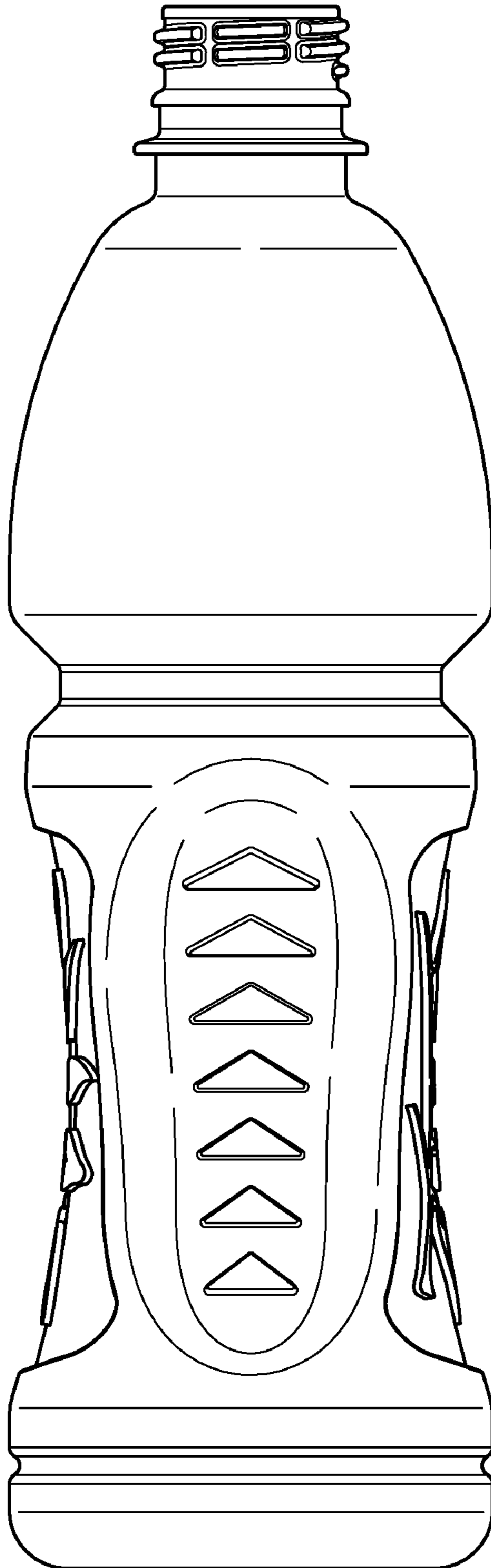


FIG. 5

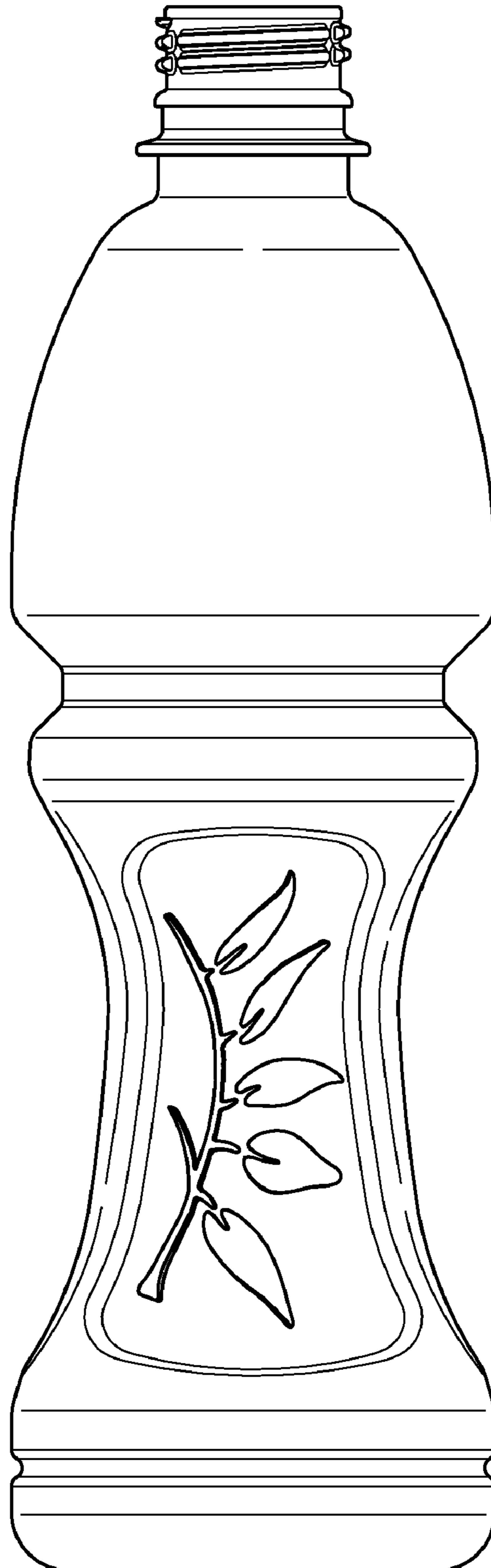


FIG. 6

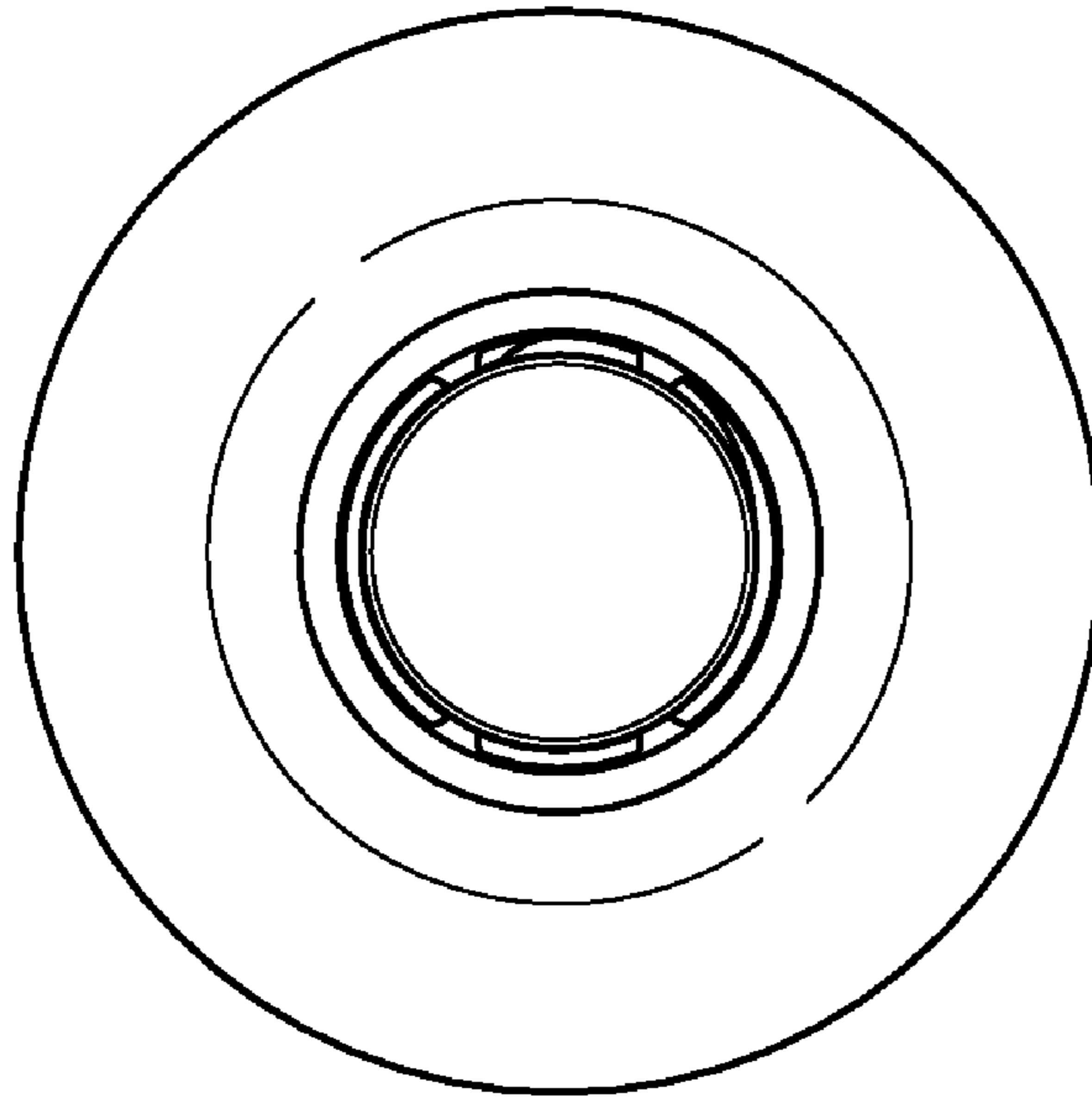


FIG. 7

