



US00D560495S

(12) **United States Design Patent**  
**Mettler et al.**

(10) **Patent No.:** **US D560,495 S**

(45) **Date of Patent:** **\*\* Jan. 29, 2008**

(54) **PACKAGE FOR A PERSONAL CARE PRODUCT**

D461,934 S \* 8/2002 Colla ..... D28/91  
D483,527 S \* 12/2003 Ashiwa et al. .... D28/91

(75) Inventors: **Mark F. Mettler**, Spring Lake, MI (US); **Olivier J. P. van Doorne**, New York, NY (US); **Joe D. Doucet**, New York, NY (US)

\* cited by examiner

*Primary Examiner*—Ian Simmons

*Assistant Examiner*—Dana L Sipos

(74) *Attorney, Agent, or Firm*—Warner Norcross & Judd LLP

(73) Assignee: **Access Business Group International LLC**, Ada, MI (US)

(\*\*) Term: **14 Years**

(21) Appl. No.: **29/250,701**

(22) Filed: **Nov. 28, 2006**

(51) **LOC (8) Cl.** ..... **09-01**

(52) **U.S. Cl.** ..... **D9/504**; D28/91

(58) **Field of Classification Search** ..... D9/500,  
D9/502–504, 519, 529, 549, 557–558, 682,  
D9/686–691, 694, 900; D28/76, 78, 91,  
D28/91.1; 220/660–662, 669, 675; 215/379–383;  
D24/222–224

See application file for complete search history.

(56) **References Cited**

**U.S. PATENT DOCUMENTS**

1,532,830 A \* 4/1925 Marceau ..... 132/307  
D69,142 S \* 12/1925 Lalique ..... D28/91  
D96,604 S \* 8/1935 Hankar ..... D9/504  
D127,331 S \* 5/1941 Rosenfeld ..... D9/503  
2,449,196 A \* 9/1948 Bent ..... 229/125.16  
D436,233 S \* 1/2001 Failliant-Dumas ..... D28/91

(57) **CLAIM**

The ornamental design for a package for a personal care product, as shown and described.

**DESCRIPTION**

FIG. 1 is a top, front, left side perspective view of a package for a personal care product showing our new design;

FIG. 2 is a side elevational view thereof;

FIG. 3 is a top plan view thereof;

FIG. 4 is a bottom plan view thereof

FIG. 5 is a top, front, left side perspective view of a second embodiment of a package for a personal care product;

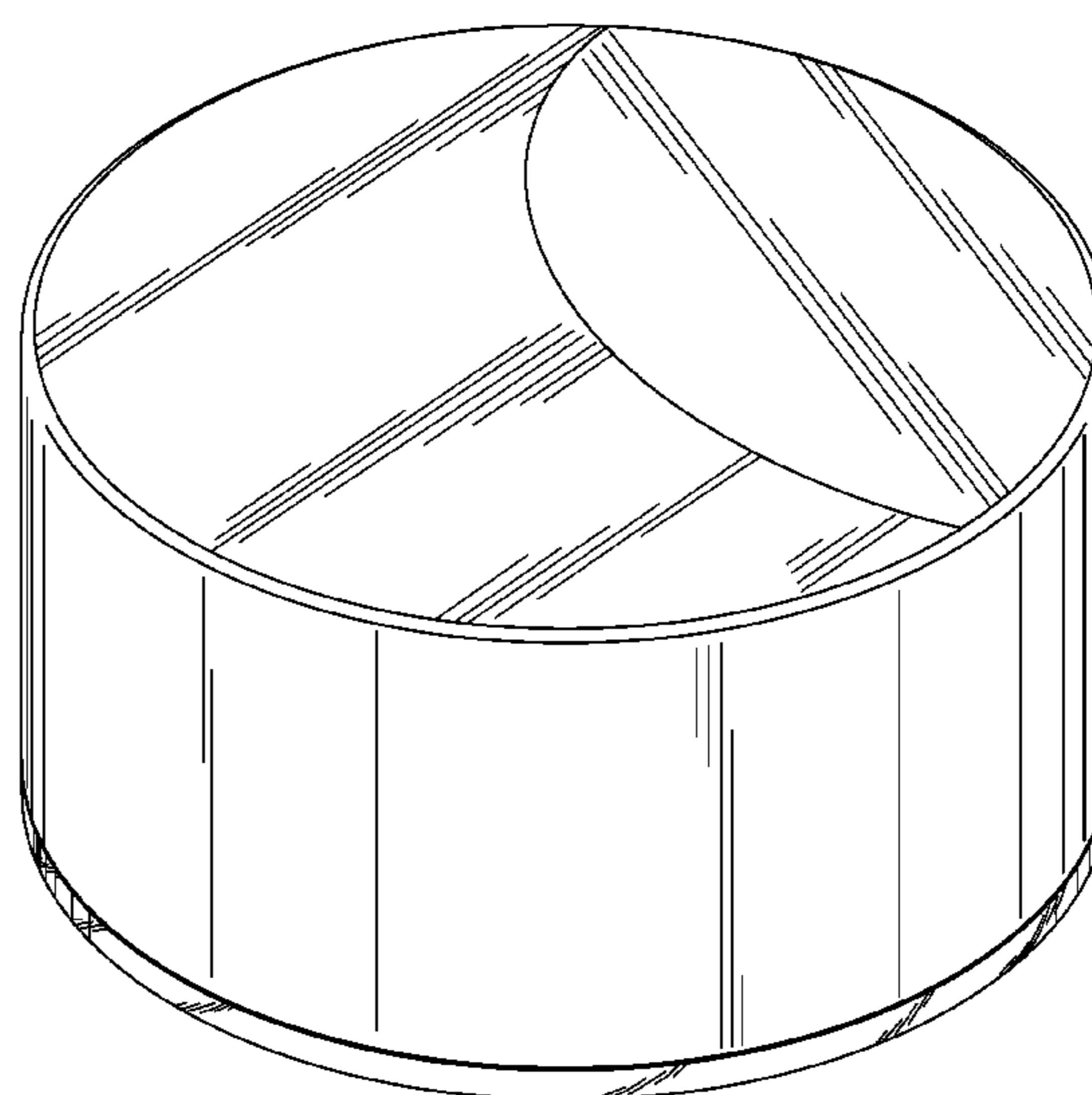
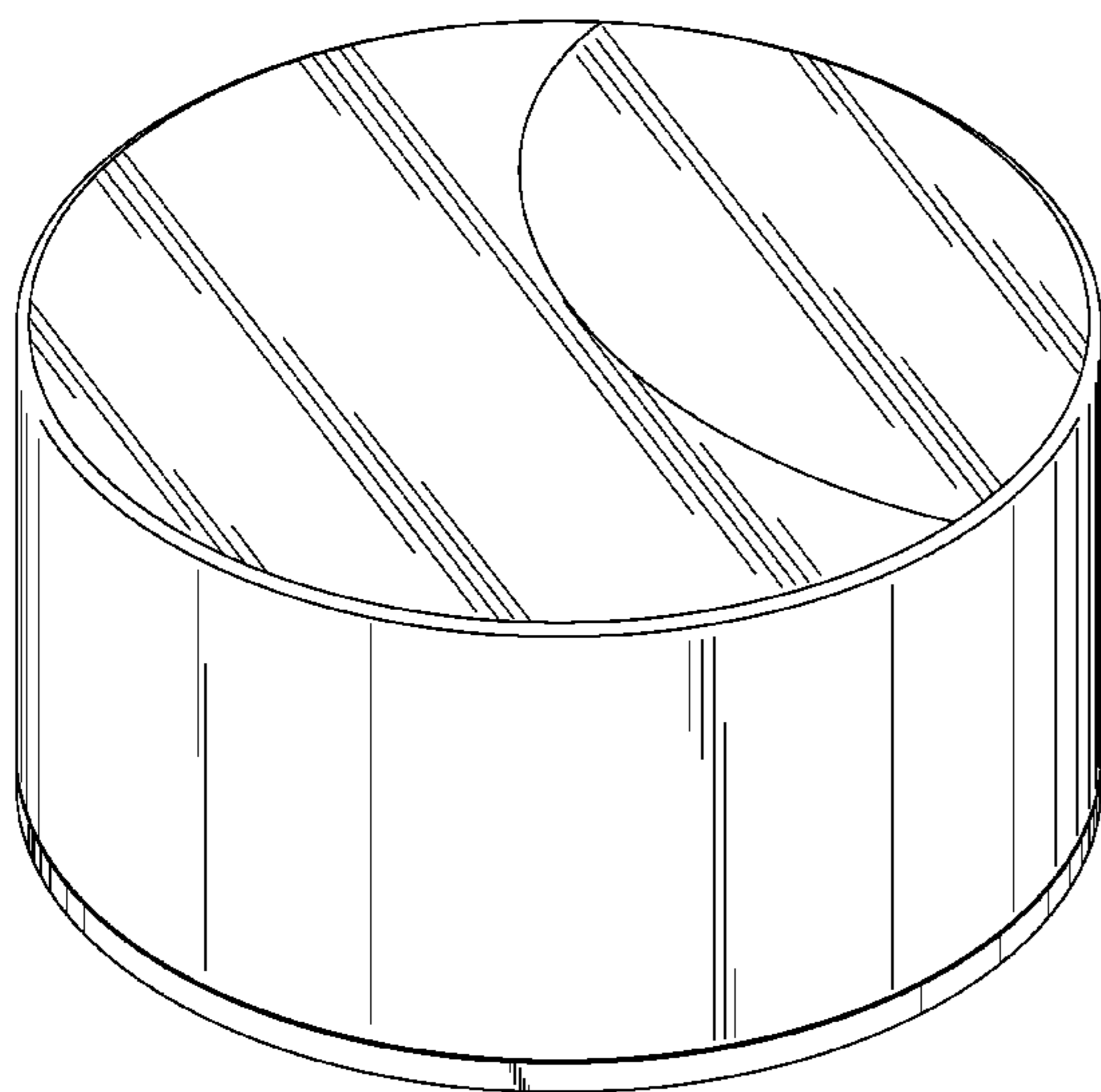
FIG. 6 is a side elevational view thereof;

FIG. 7 is a top plan view thereof; and,

FIG. 8 is a bottom plan view thereof.

The broken lines in FIGS. 1, 5 & 7 of the drawings are for illustrative purposes only and form no part of the claimed design. The applied angled surface shading shown in FIGS. 5–7 is to show a reflective surface.

**1 Claim, 6 Drawing Sheets**



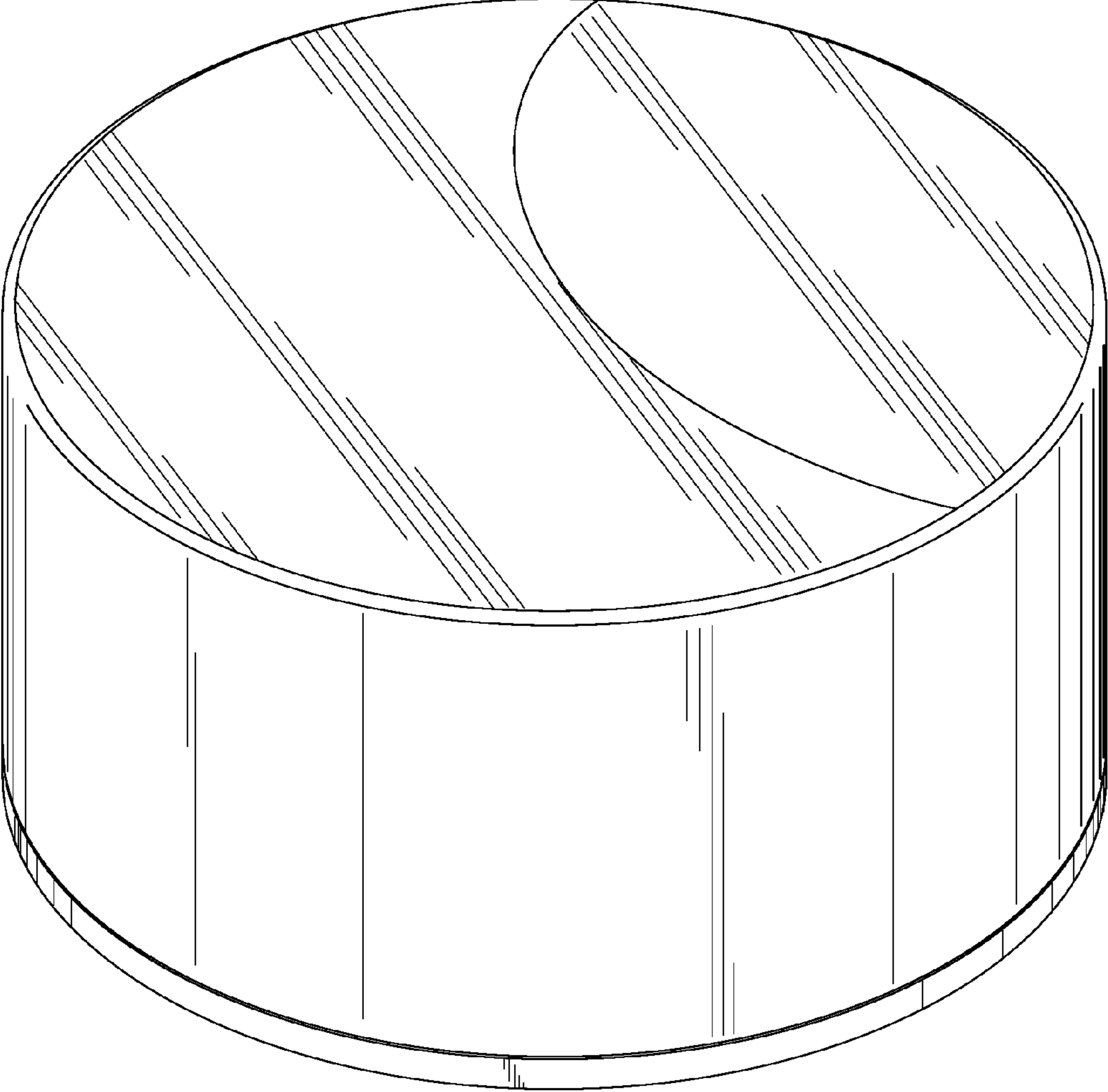


Fig. 1

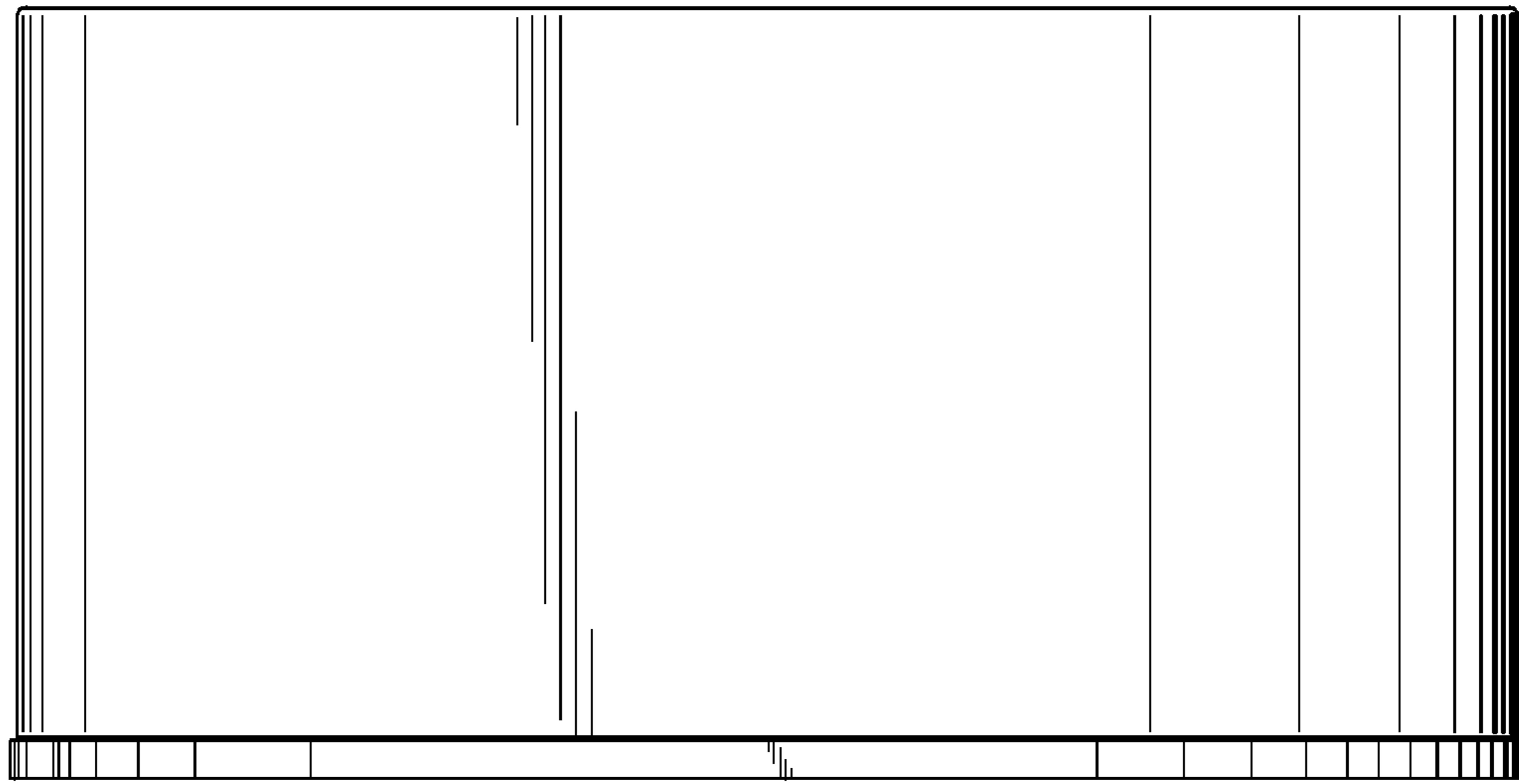


Fig. 2

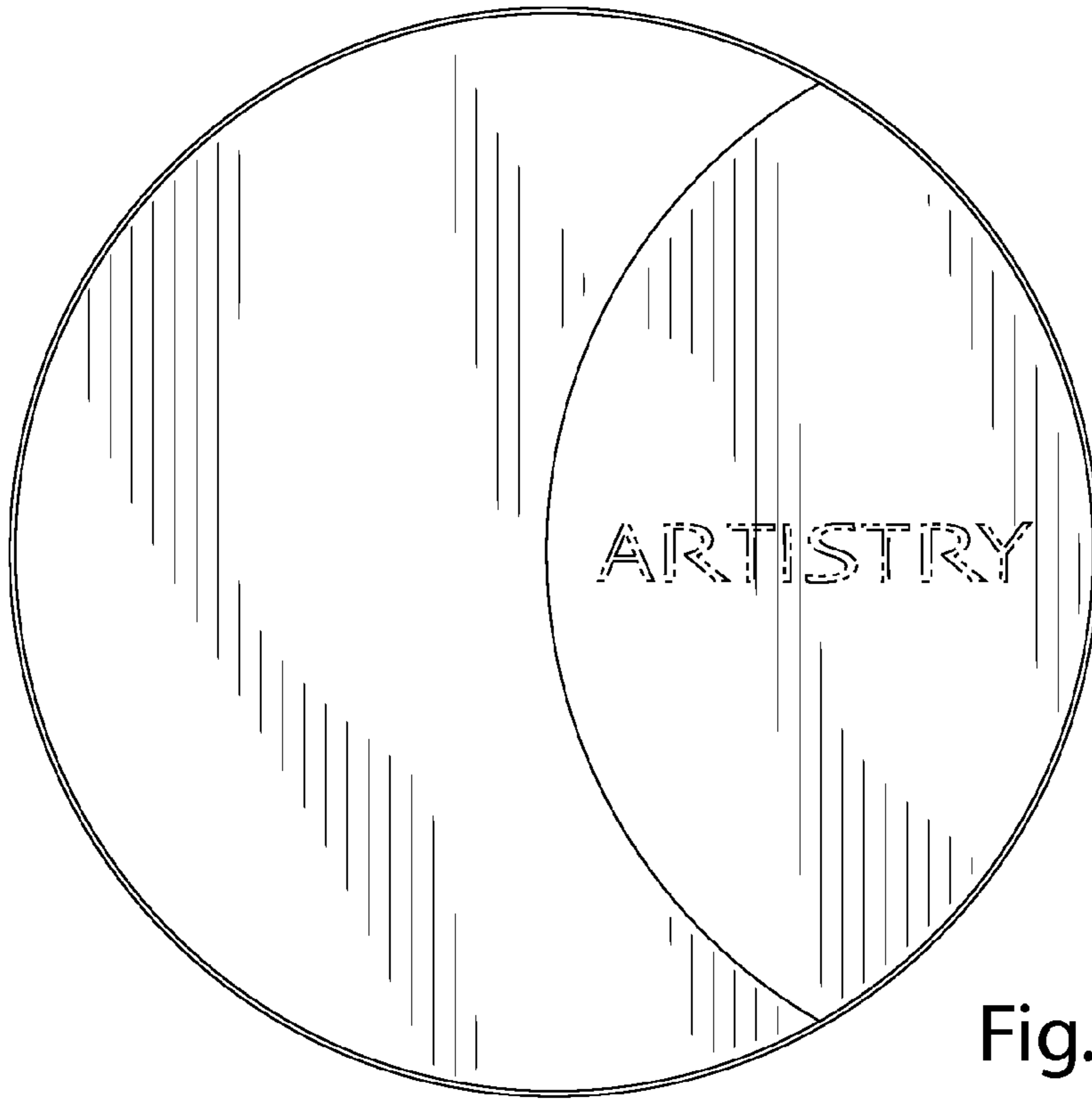


Fig. 3

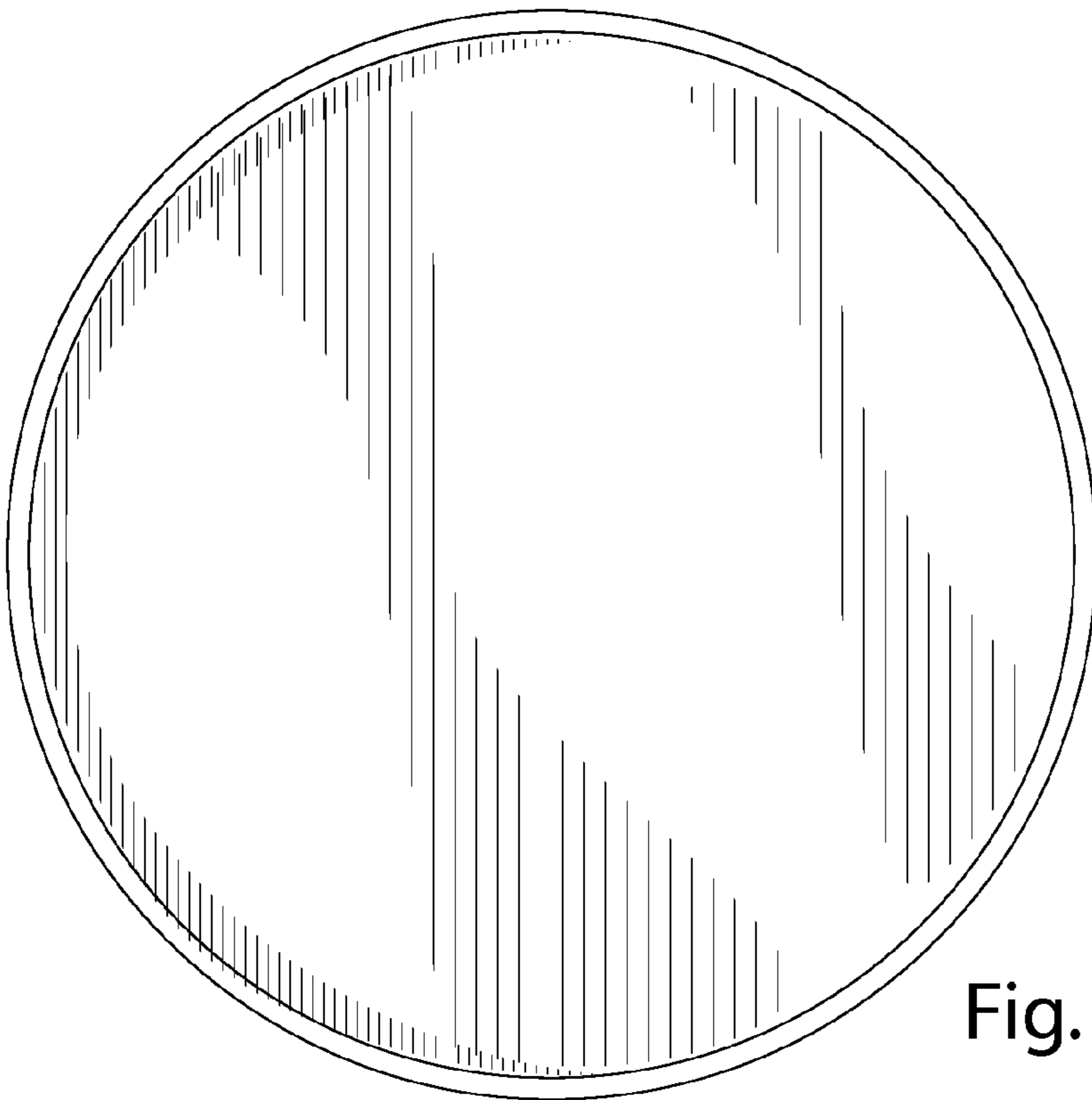


Fig. 4

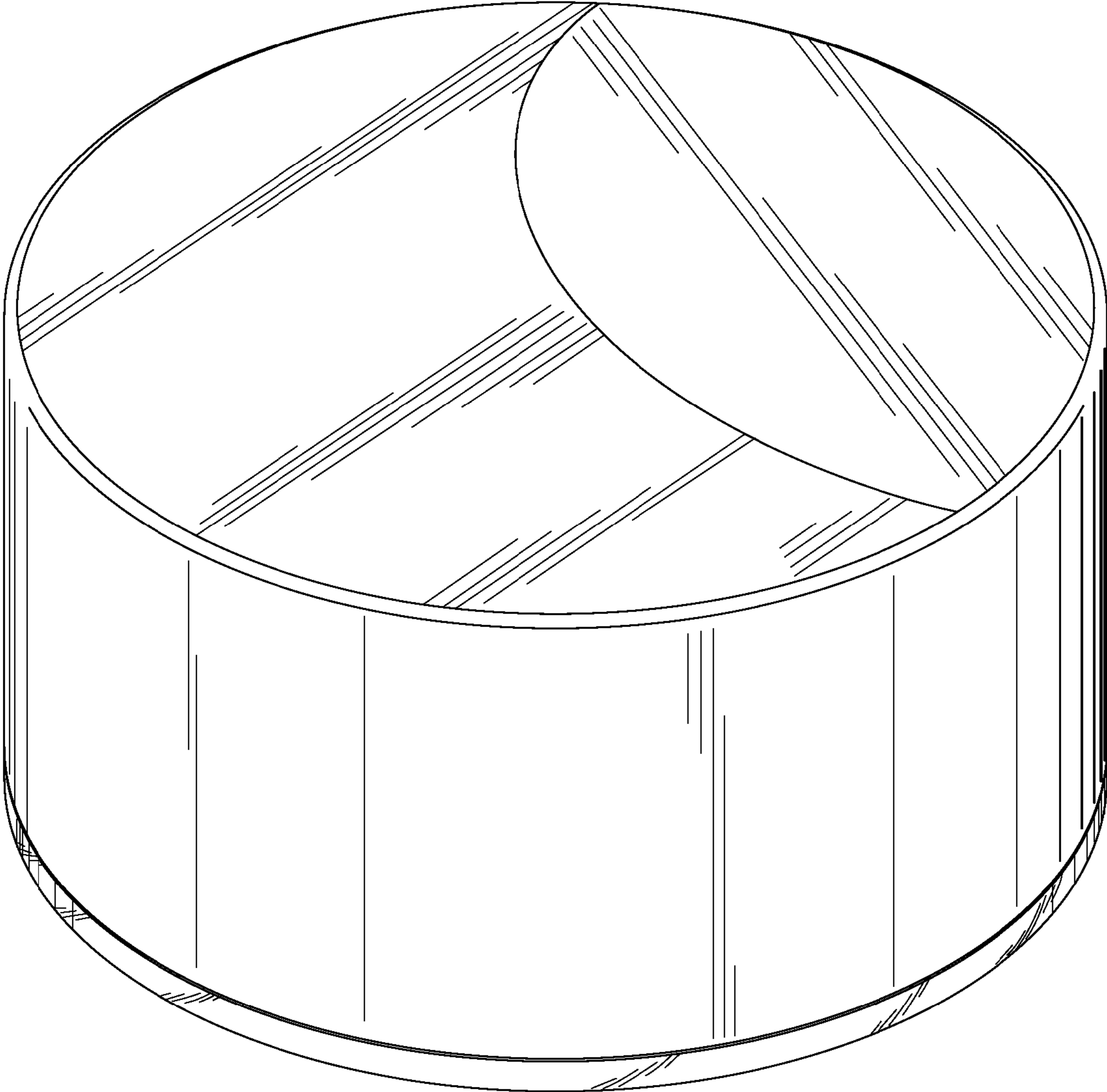


Fig. 5

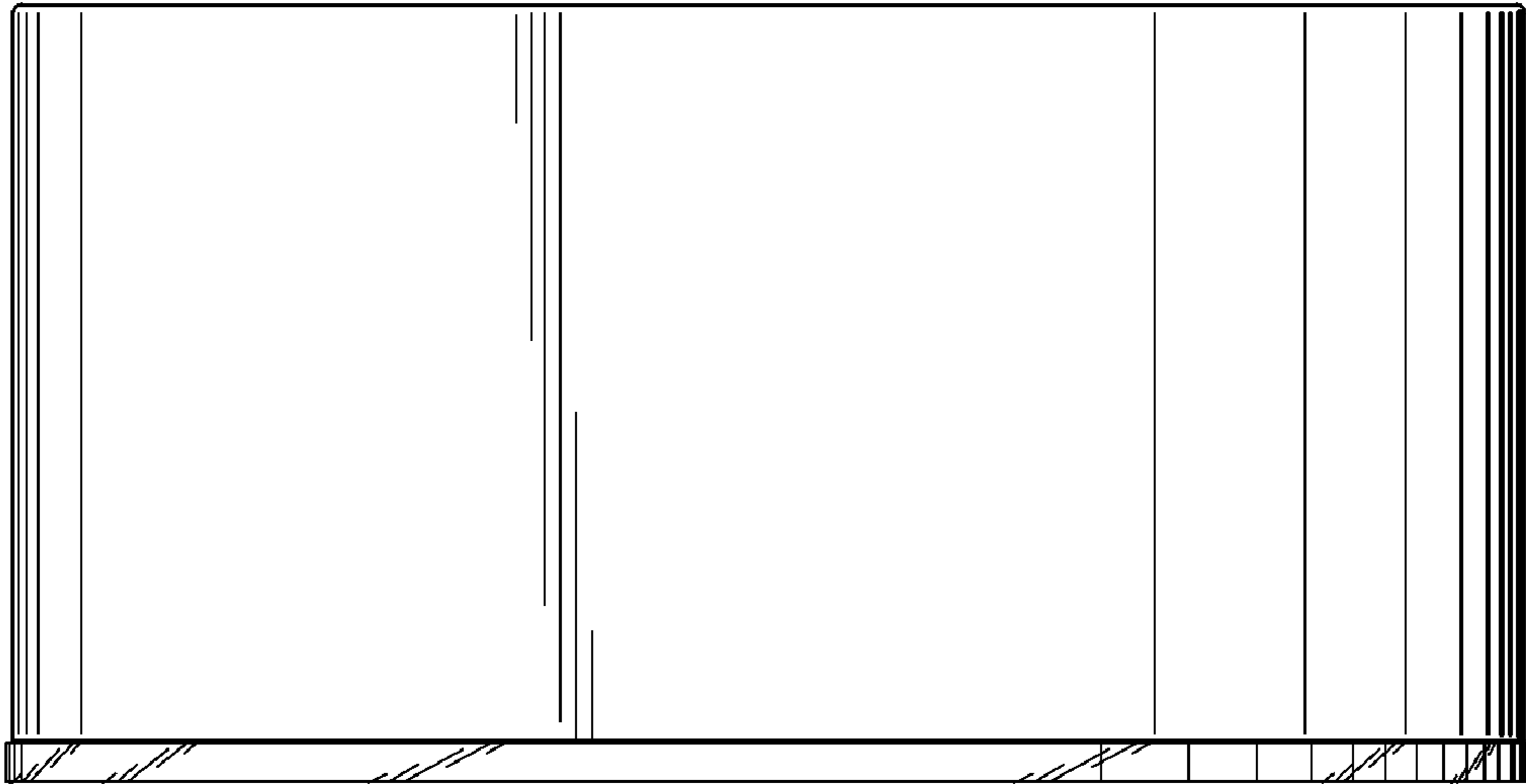


Fig. 6

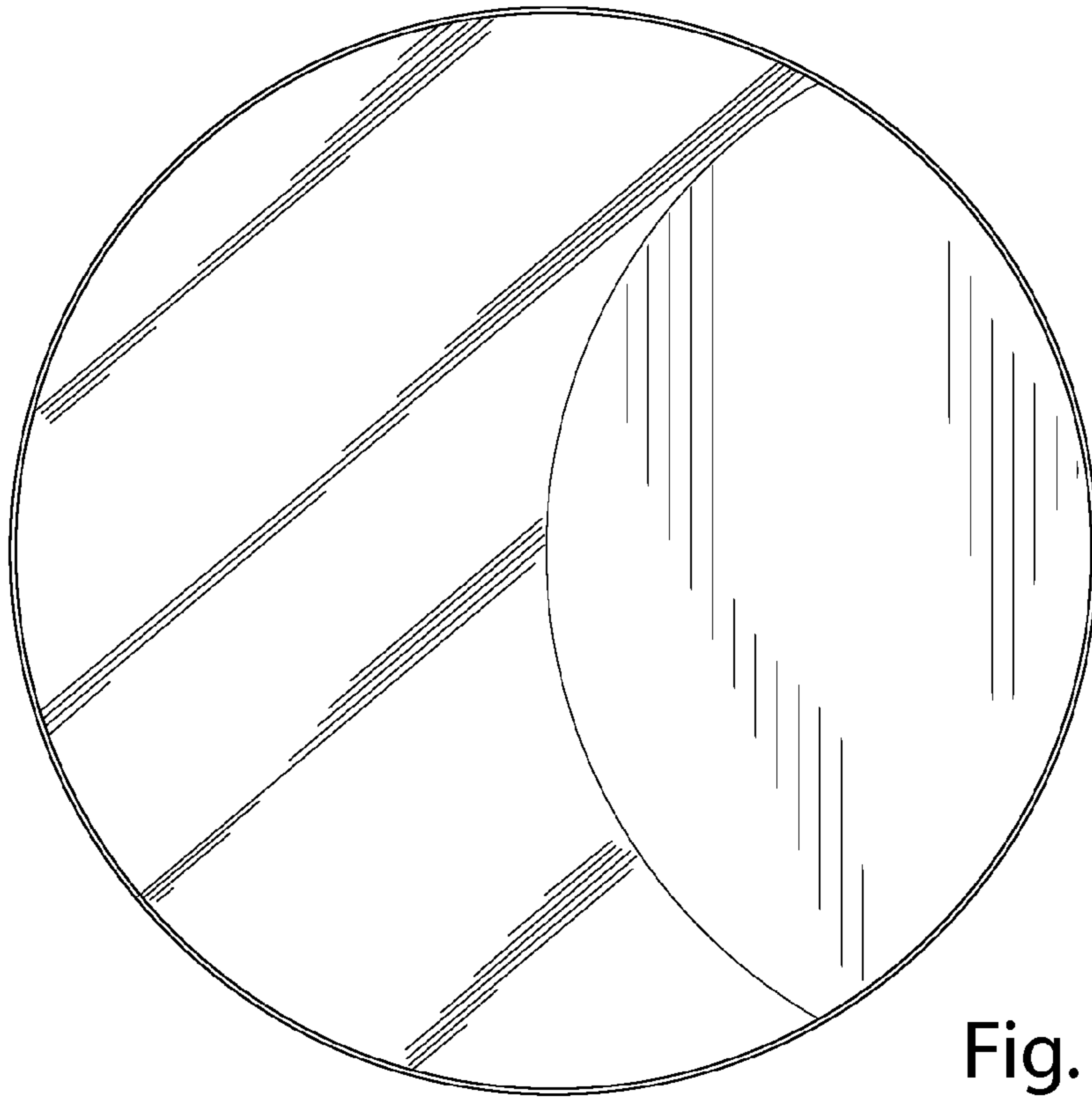


Fig. 7

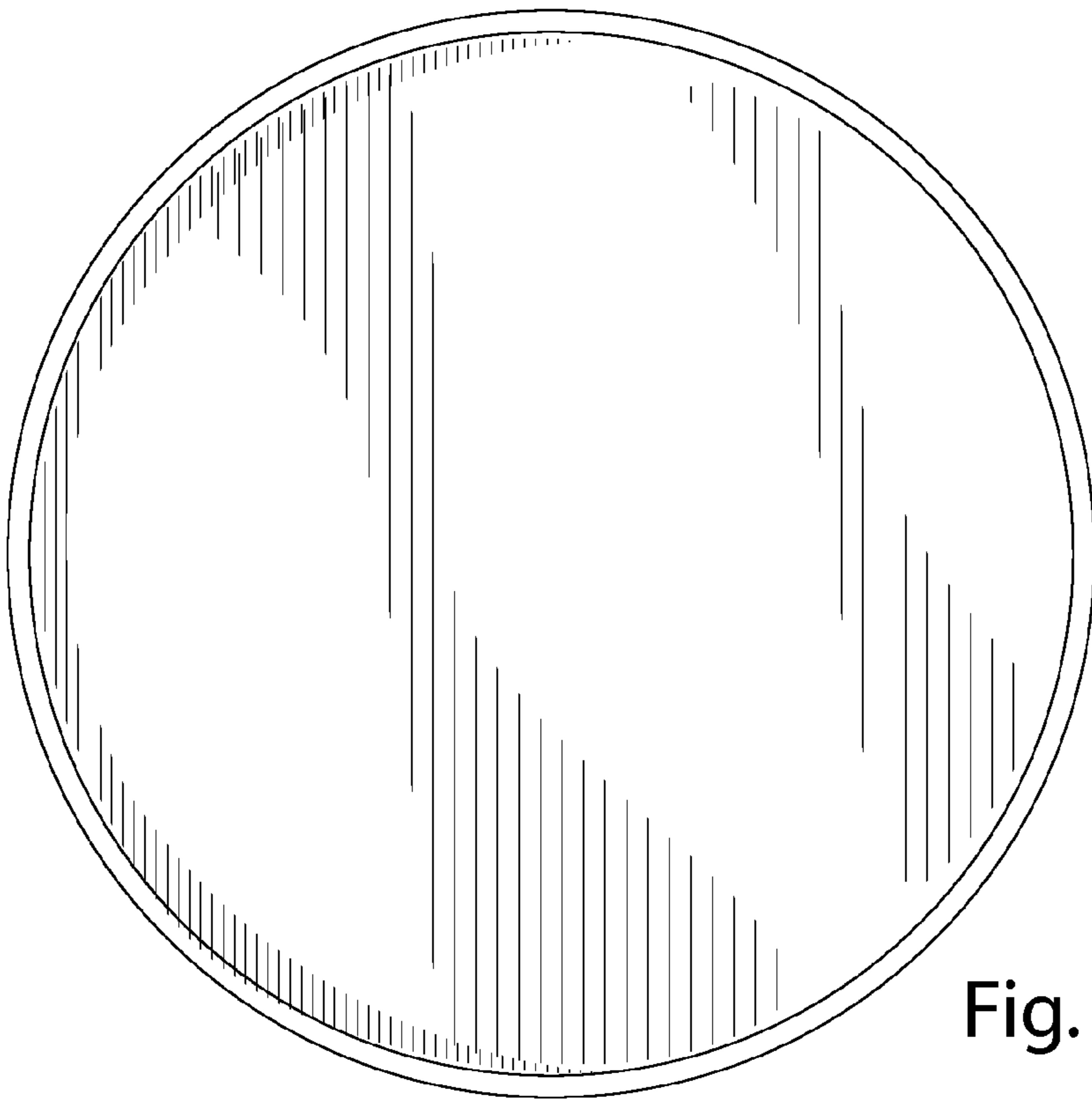


Fig. 8