



US00D560488S

(12) **United States Design Patent**
Rust et al.

(10) **Patent No.:** **US D560,488 S**
(45) **Date of Patent:** **** Jan. 29, 2008**

- (54) **SMALL ITEM DISPENSER**
- (75) Inventors: **Matthew H. Rust**, Hudson, WI (US);
Thomas E. Kramer, Coon Rapids, MN (US)
- (73) Assignee: **Webb Candy, Inc.**, Rosemount, MN (US)

D373,952 S *	9/1996	Exarhos et al.	D9/423
5,775,536 A *	7/1998	Lambelet et al.	221/5
D433,327 S *	11/2000	Lillelund et al.	D9/428
D479,395 S *	9/2003	Westrich et al.	D3/212
D517,735 S *	3/2006	Lai	D28/82
D527,627 S *	9/2006	Liebe	D9/428
D547,645 S *	7/2007	Sainz	D9/420
2004/0188313 A1 *	9/2004	Tedham	206/531

(**) Term: **14 Years**

* cited by examiner

(21) Appl. No.: **29/271,140**

Primary Examiner—Catherine Tuttle

(22) Filed: **Jan. 10, 2007**

(74) *Attorney, Agent, or Firm*—Merchant & Gould P.C.

(51) **LOC (8) Cl.** **09-03**

(52) **U.S. Cl.** **D9/414; D9/423**

(58) **Field of Classification Search** D9/730–736,
D9/414–424; D3/201–203.8, 207, 208, 273–275,
D3/294, 901; D28/76–83; 206/528–540,
206/235, 581, 800, 811, 815, 822, 823, 828;
220/213, 281–283, 810–849, DIG. 26; 221/242,
221/282, 283, 288, 303, 306; 132/286–316
See application file for complete search history.

(57) **CLAIM**

The ornamental design for the small item dispenser, as shown and described.

(56) **References Cited**

U.S. PATENT DOCUMENTS

D27,622 S *	9/1897	Zoerb	D3/265
D135,335 S *	3/1943	Flaster	D28/82
3,373,892 A *	3/1968	Landen	220/844
3,454,152 A *	7/1969	Vanderhyde et al.	206/534

DESCRIPTION

FIG. 1 is a top, front, right perspective view of a small item dispenser made in accordance with our new design;

FIG. 2 is a top plan view of FIG. 1;

FIG. 3 is a bottom plan view of FIG. 1;

FIG. 4 is a front elevational view of FIG. 1;

FIG. 5 is a rear elevational view of FIG. 1;

FIG. 6 is a right side elevational view of FIG. 1; and,

FIG. 7 is a left side elevational view of FIG. 1.

1 Claim, 3 Drawing Sheets

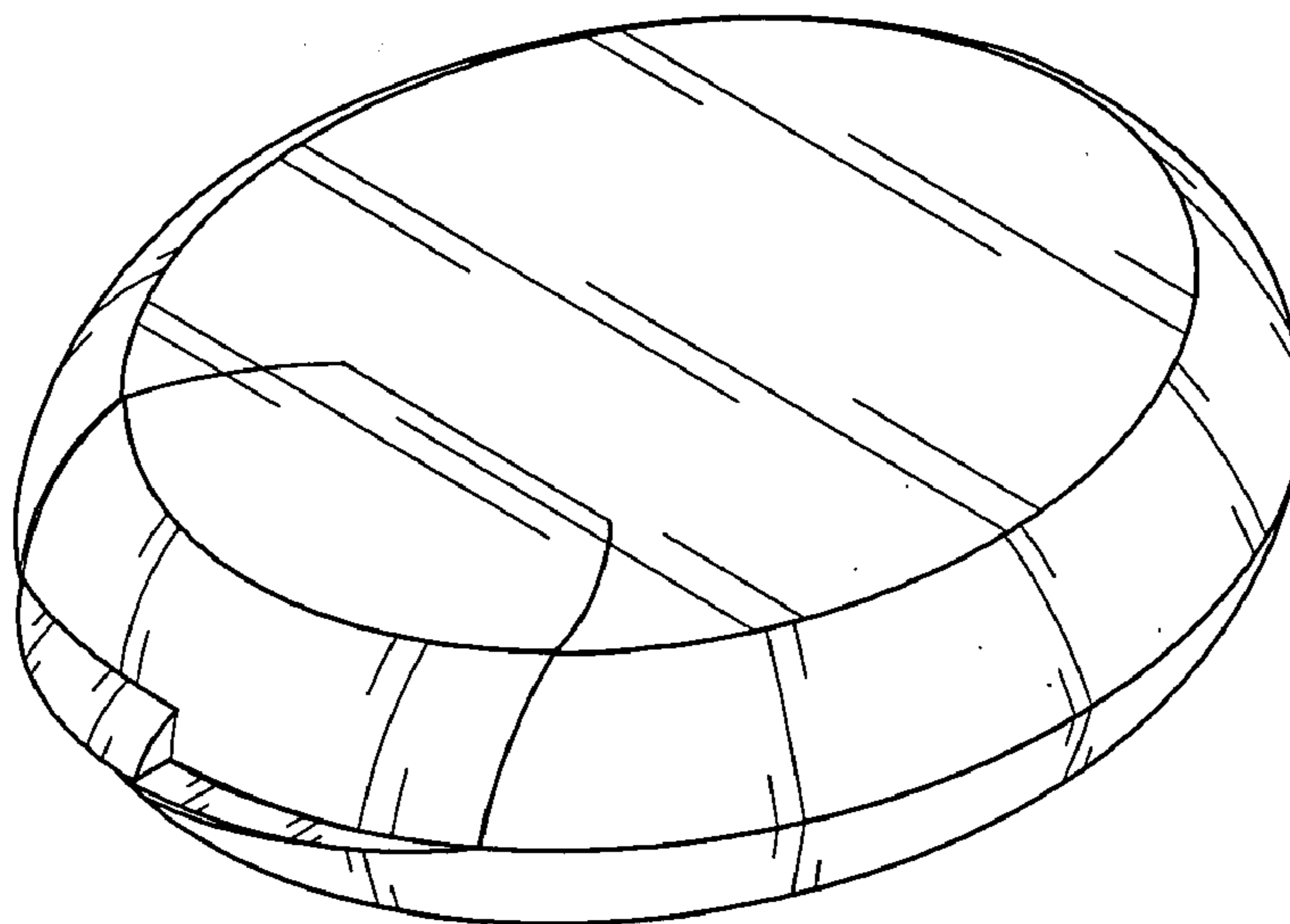


FIG. 1

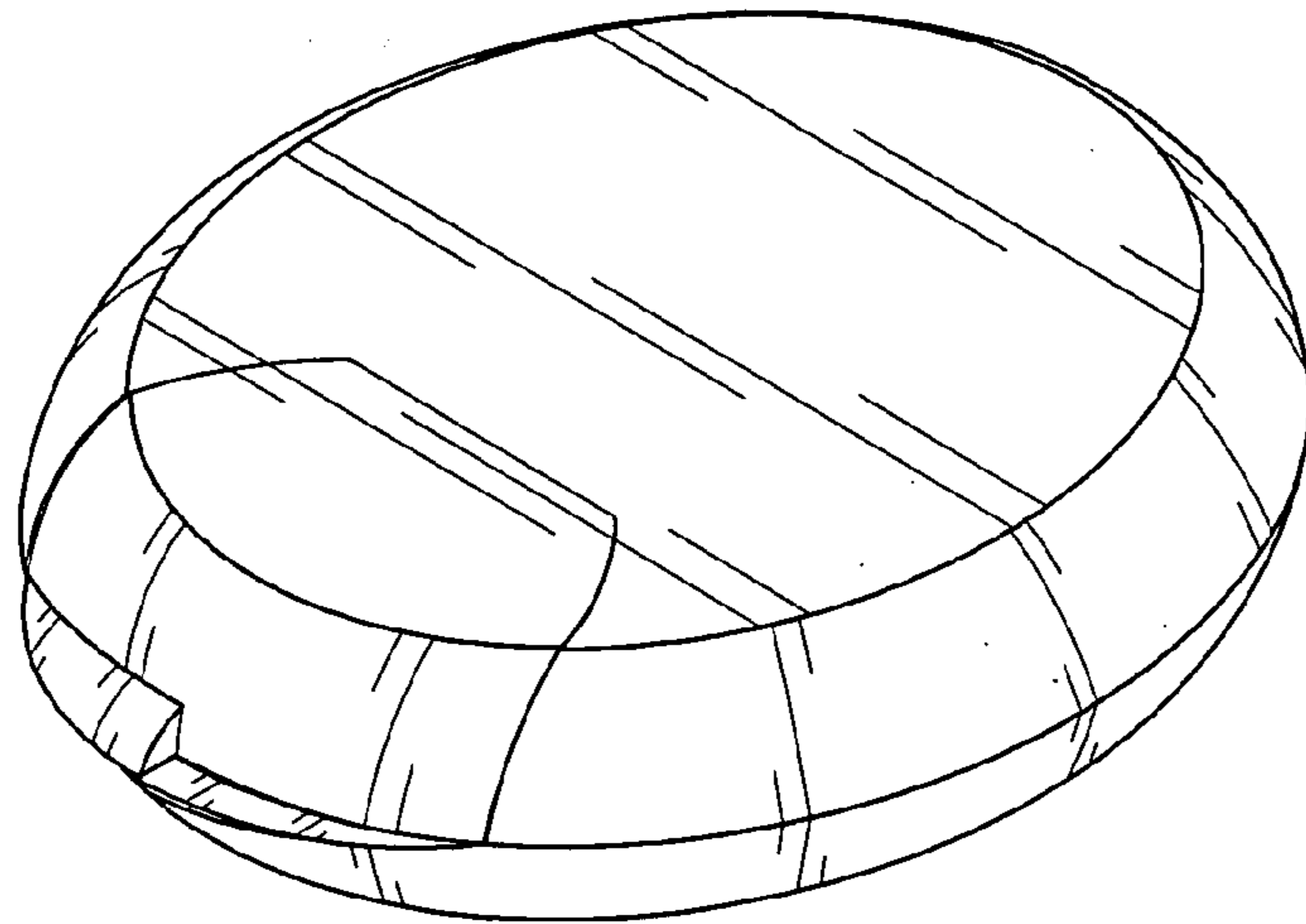


FIG. 2

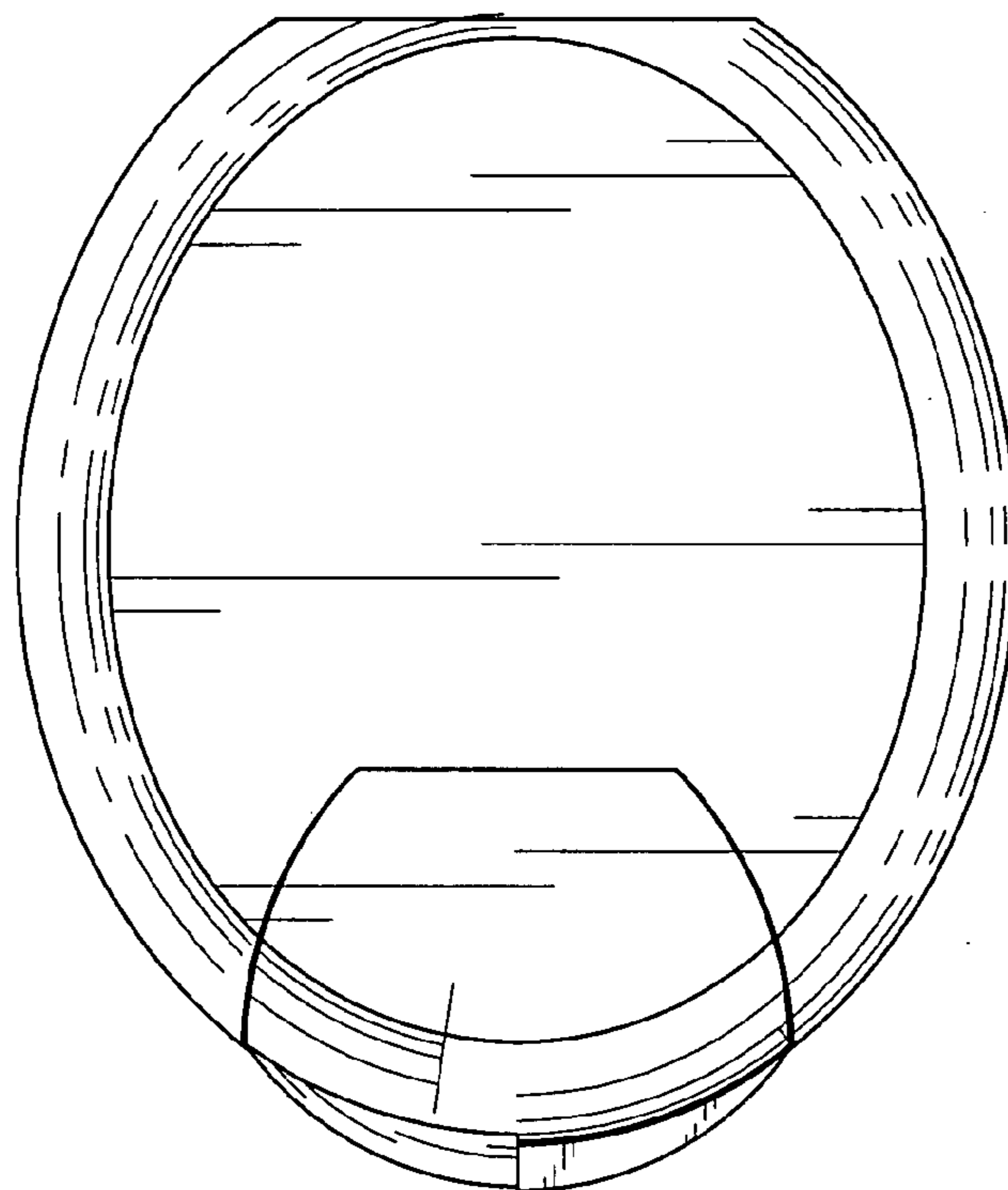


FIG. 3

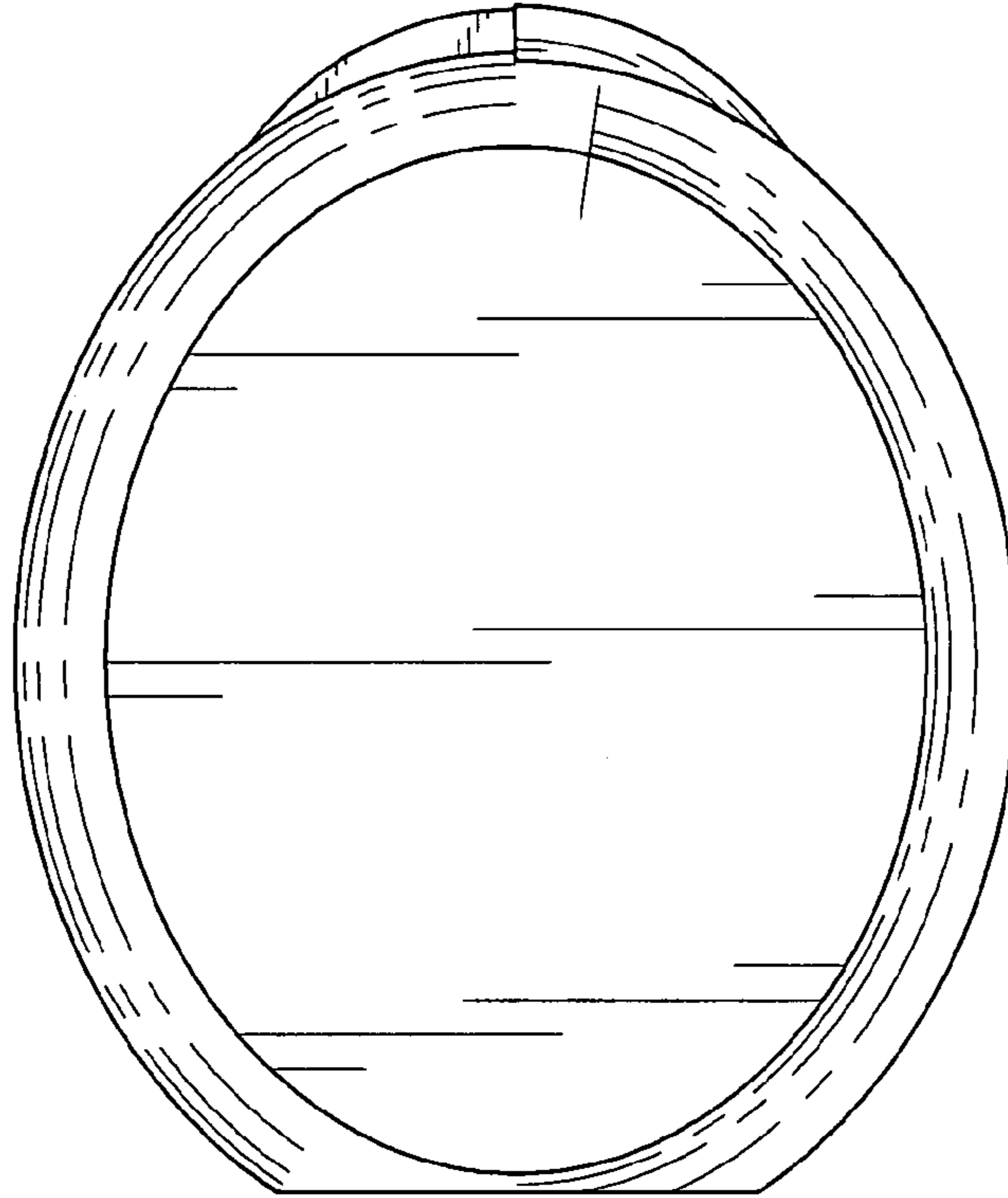


FIG. 4

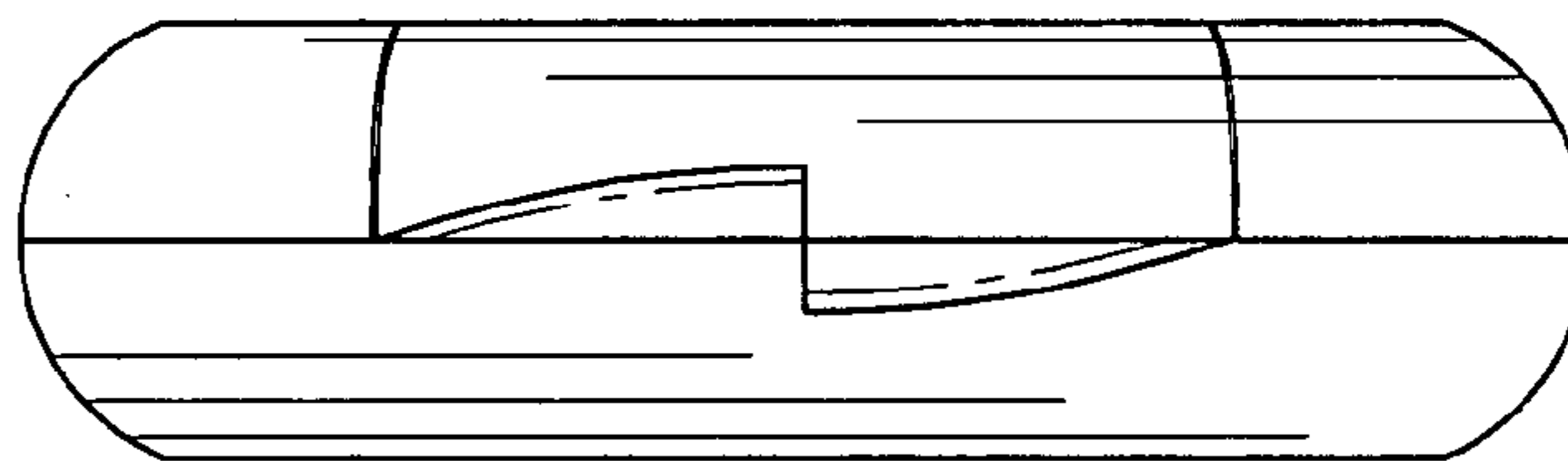


FIG. 5

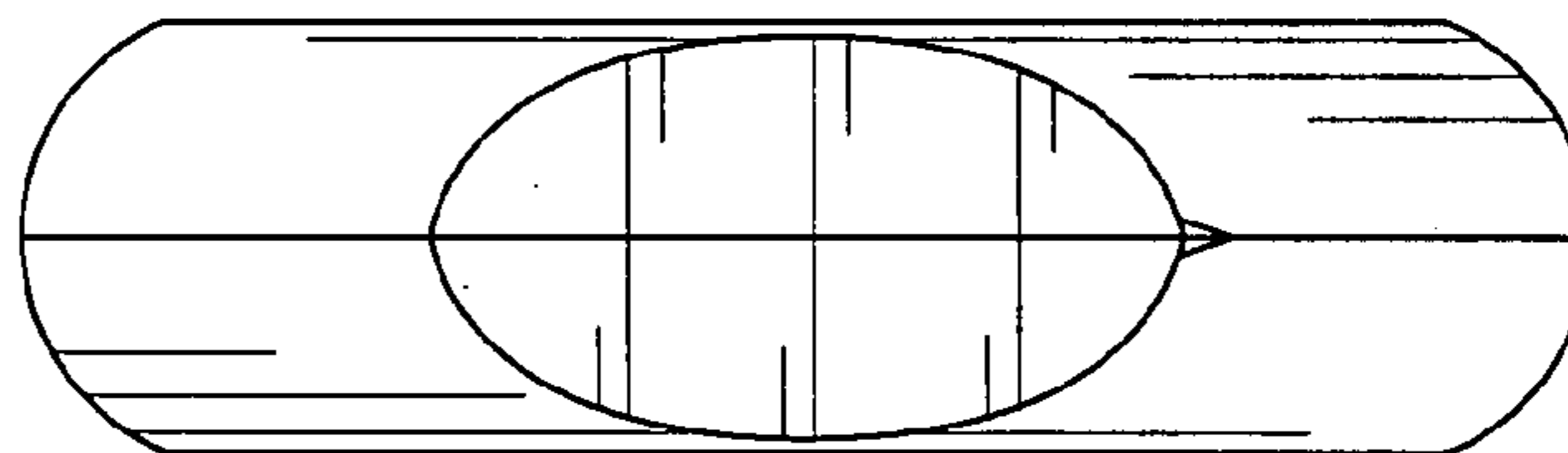


FIG. 6

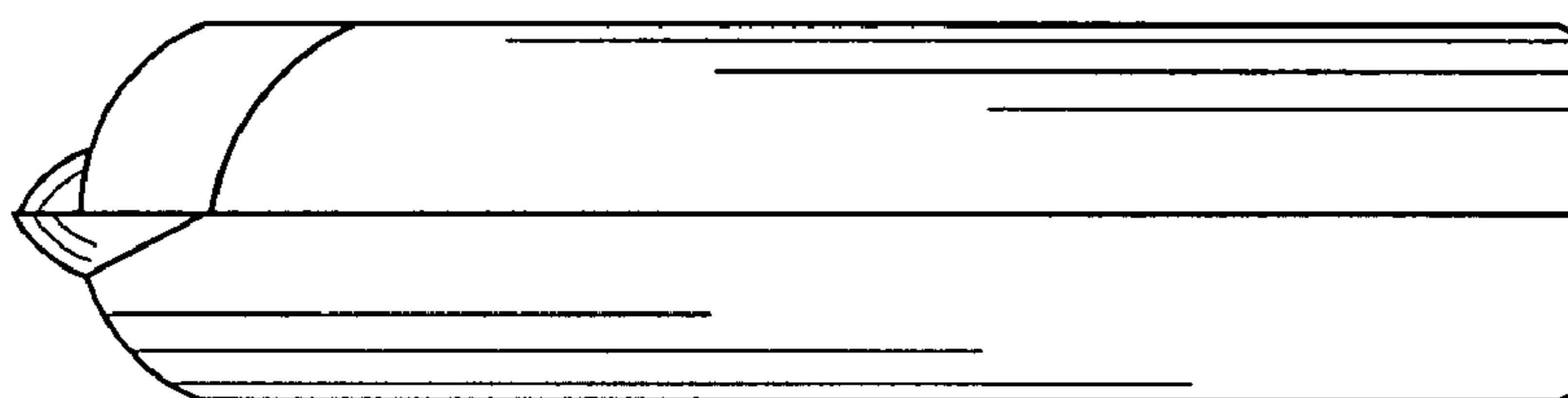


FIG. 7

