



US00D560486S

(12) **United States Design Patent**
Ray et al.

(10) **Patent No.:** **US D560,486 S**

(45) **Date of Patent:** **** Jan. 29, 2008**

(54) **CORNER PROTECTOR**

(75) Inventors: **Gregory Taylor Ray**, Winston-Salem, NC (US); **Farrell Dean Smith**, Sophia, NC (US)

(73) Assignee: **Hughes Supply & Mfg. Co. of Thomasville, Inc.**, Thomasville, NC (US)

(**) Term: **14 Years**

(21) Appl. No.: **29/224,331**

(22) Filed: **Feb. 28, 2005**

(51) **LOC (8) Cl.** **08-09**

(52) **U.S. Cl.** **D8/403**

(58) **Field of Classification Search** D8/400, D8/403, 499; 52/24, 26; D25/199
See application file for complete search history.

(56) **References Cited**

U.S. PATENT DOCUMENTS

- 1,976,607 A * 10/1934 Engel 40/778
- D415,677 S * 10/1999 Cheung D8/403
- 6,368,694 B1 * 4/2002 Marsh et al. 428/99

- D481,304 S * 10/2003 Drake D8/403
- D494,057 S * 8/2004 Hightower D8/403
- 6,881,469 B2 4/2005 Hightower 428/99

* cited by examiner

Primary Examiner—Cathron Brooks

Assistant Examiner—Barbara Fox

(74) *Attorney, Agent, or Firm*—MacCord Mason PLLC

(57) **CLAIM**

The ornamental design for a corner protector, as shown and described.

DESCRIPTION

FIG. 1 is a perspective view of a corner protector showing my new design;

FIG. 2 is a front view thereof, shown inverted;

FIG. 3 is a right side view thereof;

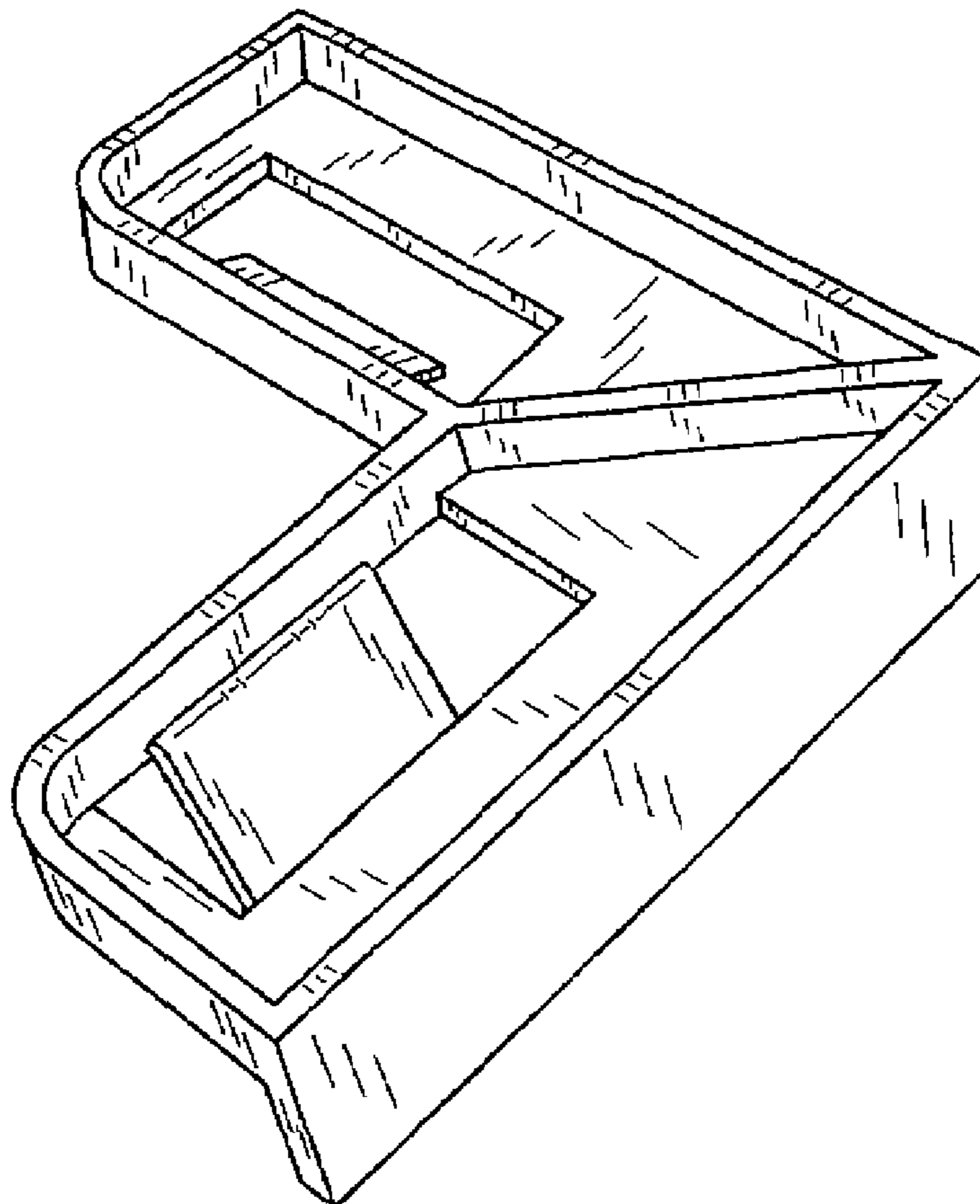
FIG. 4 is a left side view thereof;

FIG. 5 is a back view thereof;

FIG. 6 is a top view thereof; and,

FIG. 7 is a bottom view thereof.

1 Claim, 2 Drawing Sheets



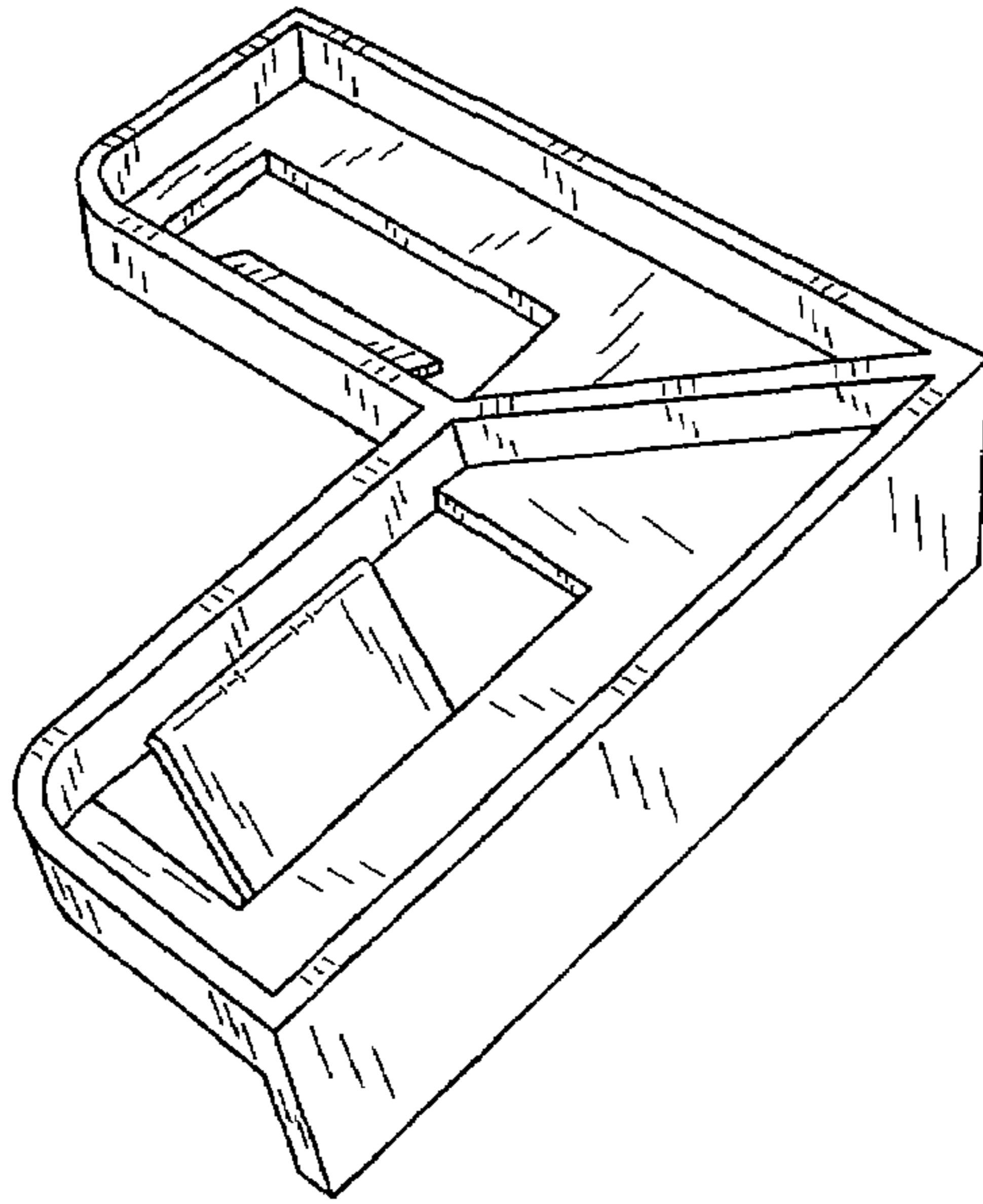


FIG. 1

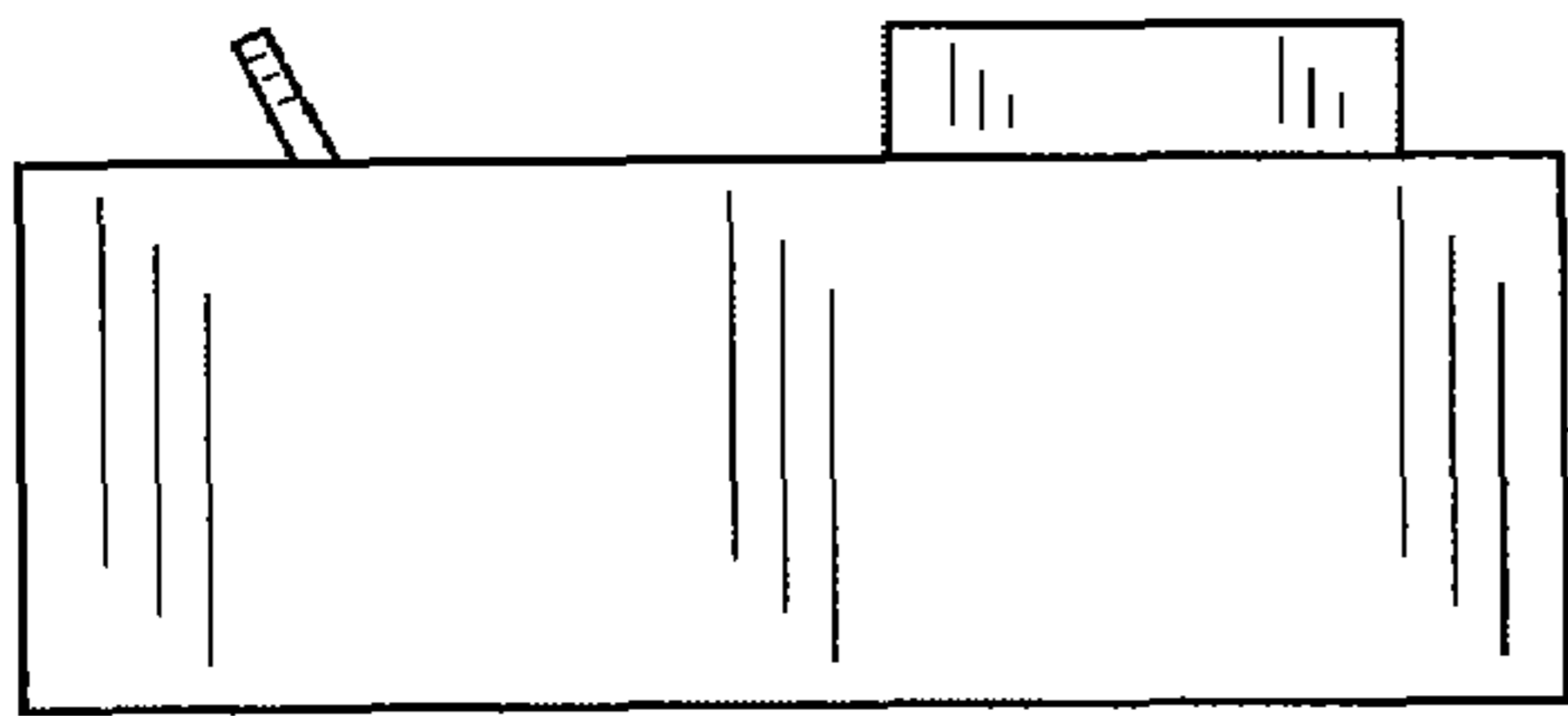


FIG. 2

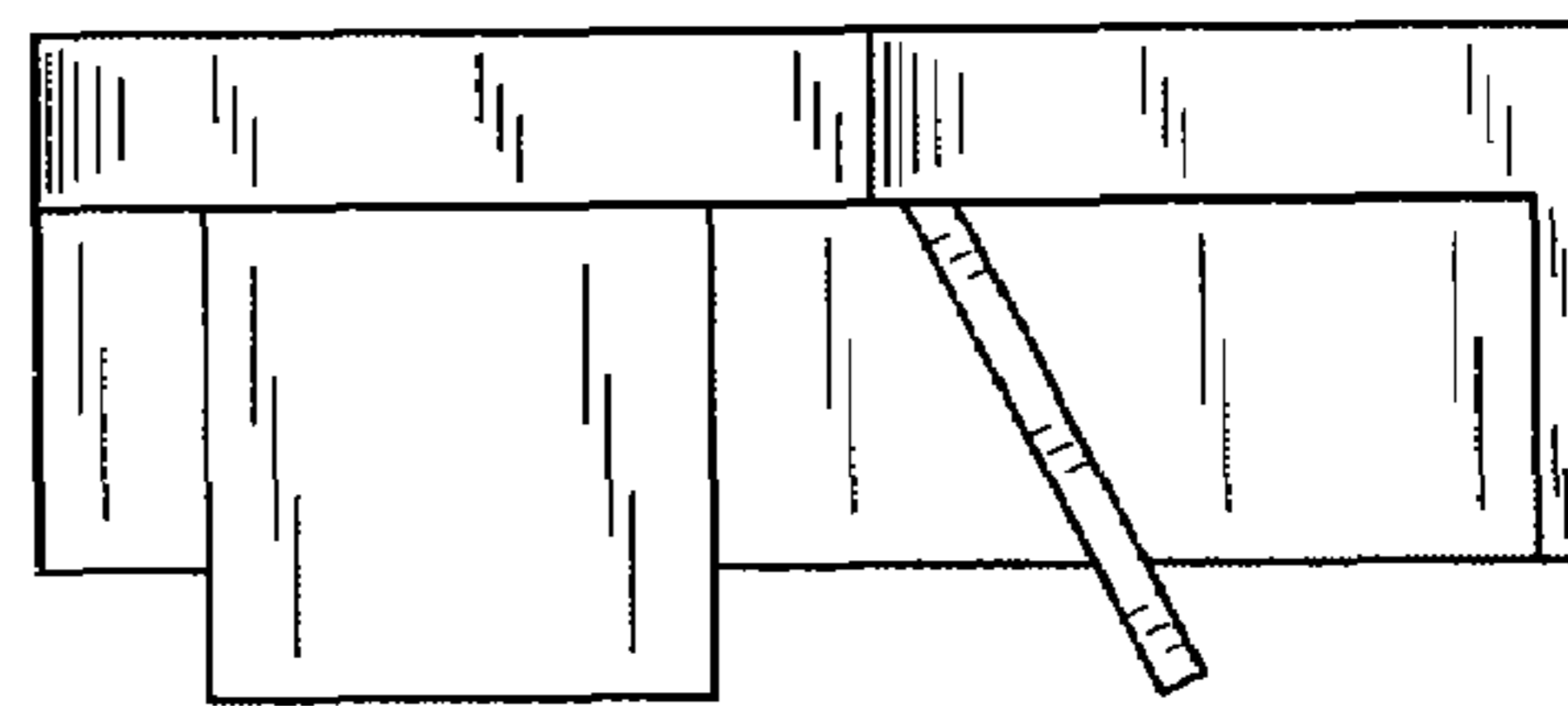


FIG. 4

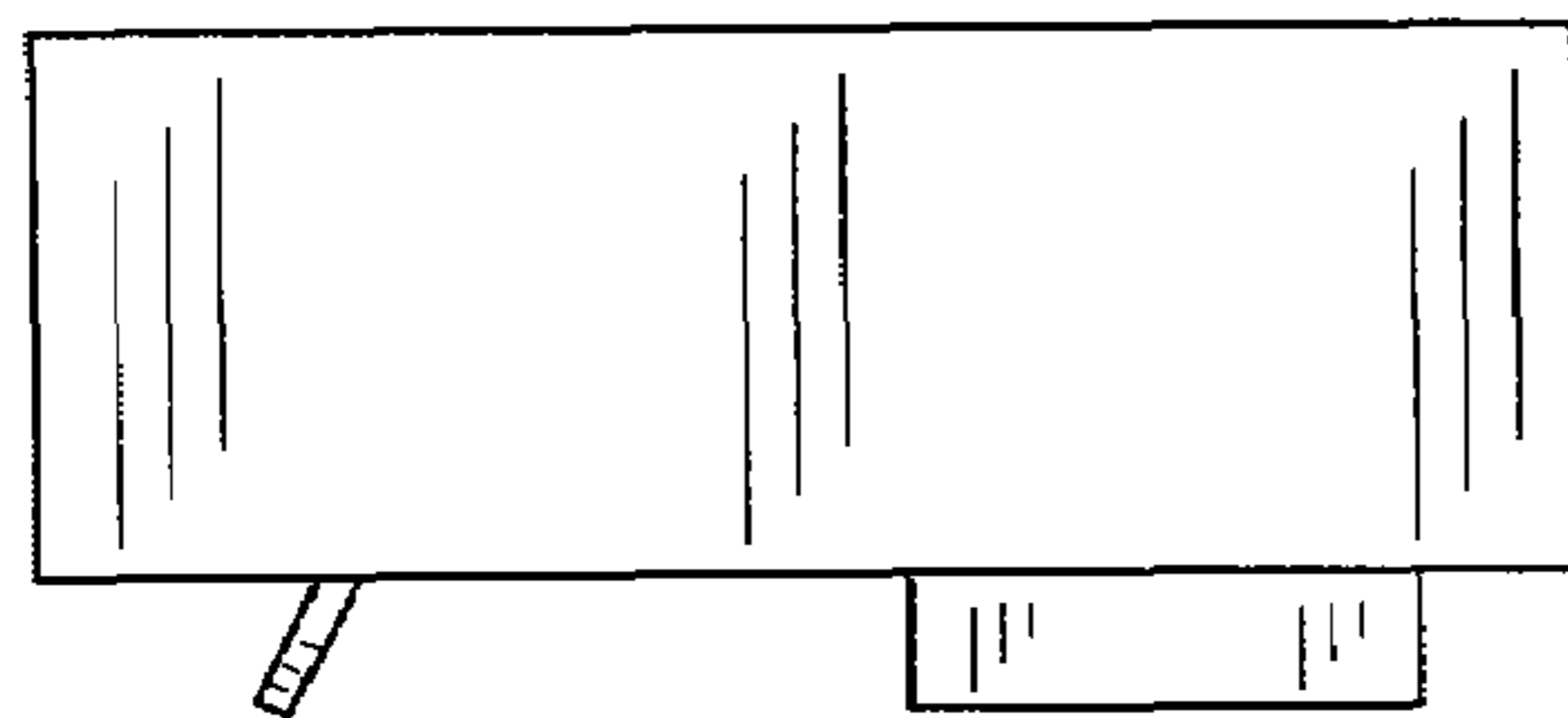


FIG. 3

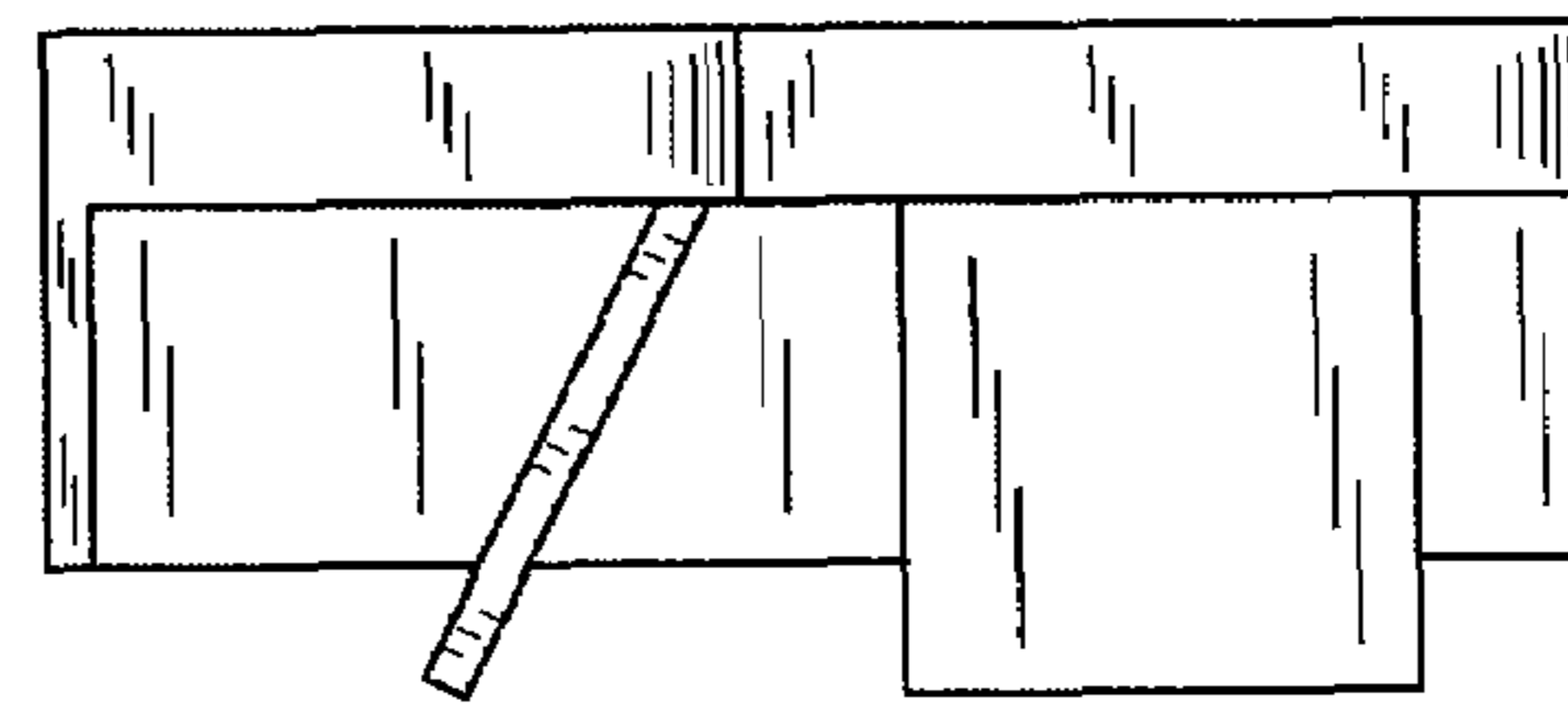


FIG. 5

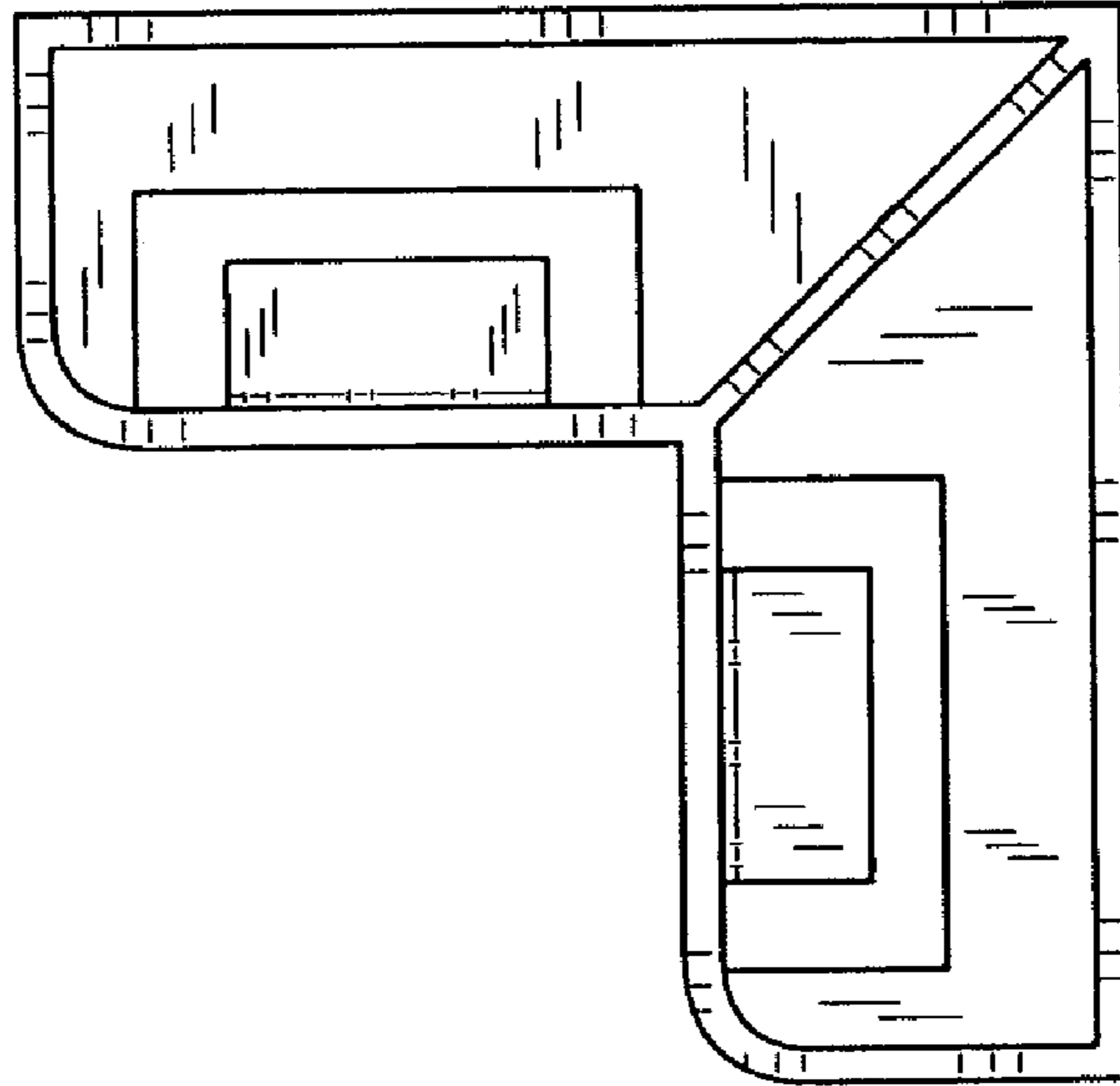


FIG. 6

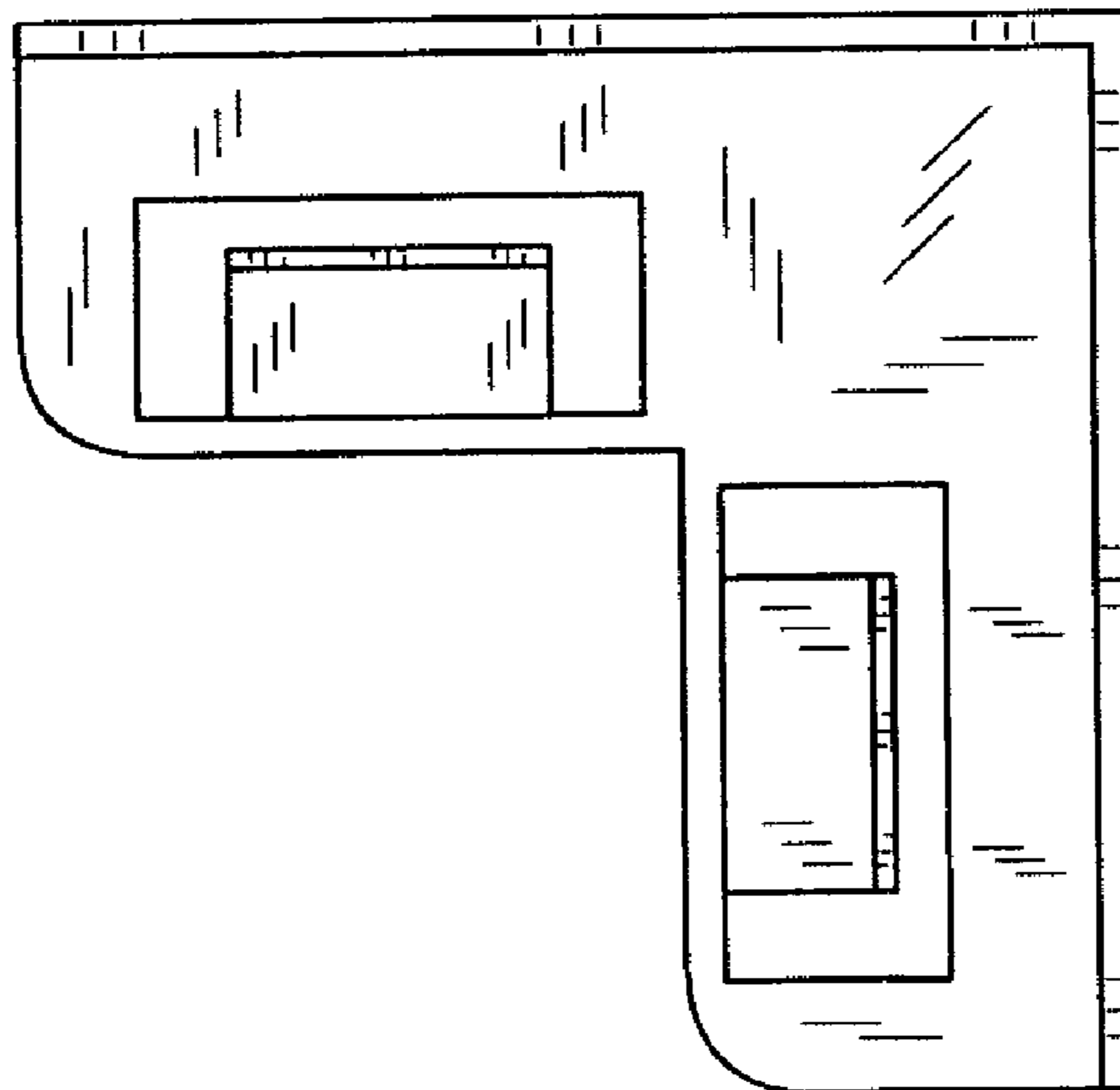


FIG. 7