



US00D560484S

(12) **United States Design Patent**
Smith

(10) **Patent No.:** **US D560,484 S**

(45) **Date of Patent:** **** Jan. 29, 2008**

(54) **HOSE CLAMP**

(76) **Inventor:** **Gordon R. Smith**, 756 Prower Rd.,
Riddle, OR (US) 97469

(**) **Term:** **14 Years**

(21) **Appl. No.:** **29/268,999**

(22) **Filed:** **Nov. 17, 2006**

Related U.S. Application Data

(62) Division of application No. 29/227,458, filed on Apr. 12, 2005, now Pat. No. Des. 540,158.

(51) **LOC (8) Cl.** **08-08**

(52) **U.S. Cl.** **D8/396**

(58) **Field of Classification Search** D8/354-356,
D8/371, 376, 394-396, 382; 24/16 R, 279;
248/49, 62, 74.1-74.4, 73

See application file for complete search history.

(56) **References Cited**

U.S. PATENT DOCUMENTS

1,970,078 A * 8/1934 Dillon 285/18
2,958,546 A * 11/1960 Lee 285/21.1

4,417,755 A * 11/1983 Gittleman 285/373
4,653,782 A * 3/1987 Munday 285/373
5,037,141 A * 8/1991 Jardine 285/148.26
6,367,849 B1 * 4/2002 Tatsuta et al. 285/373

* cited by examiner

Primary Examiner—Stella M. Reid

Assistant Examiner—John Windmuller

(74) *Attorney, Agent, or Firm*—Gerald D. Haynes

(57) **CLAIM**

The ornamental design for a hose clamp, as shown and described.

DESCRIPTION

FIG. 1 is a perspective view a hose clamp showing my new design;

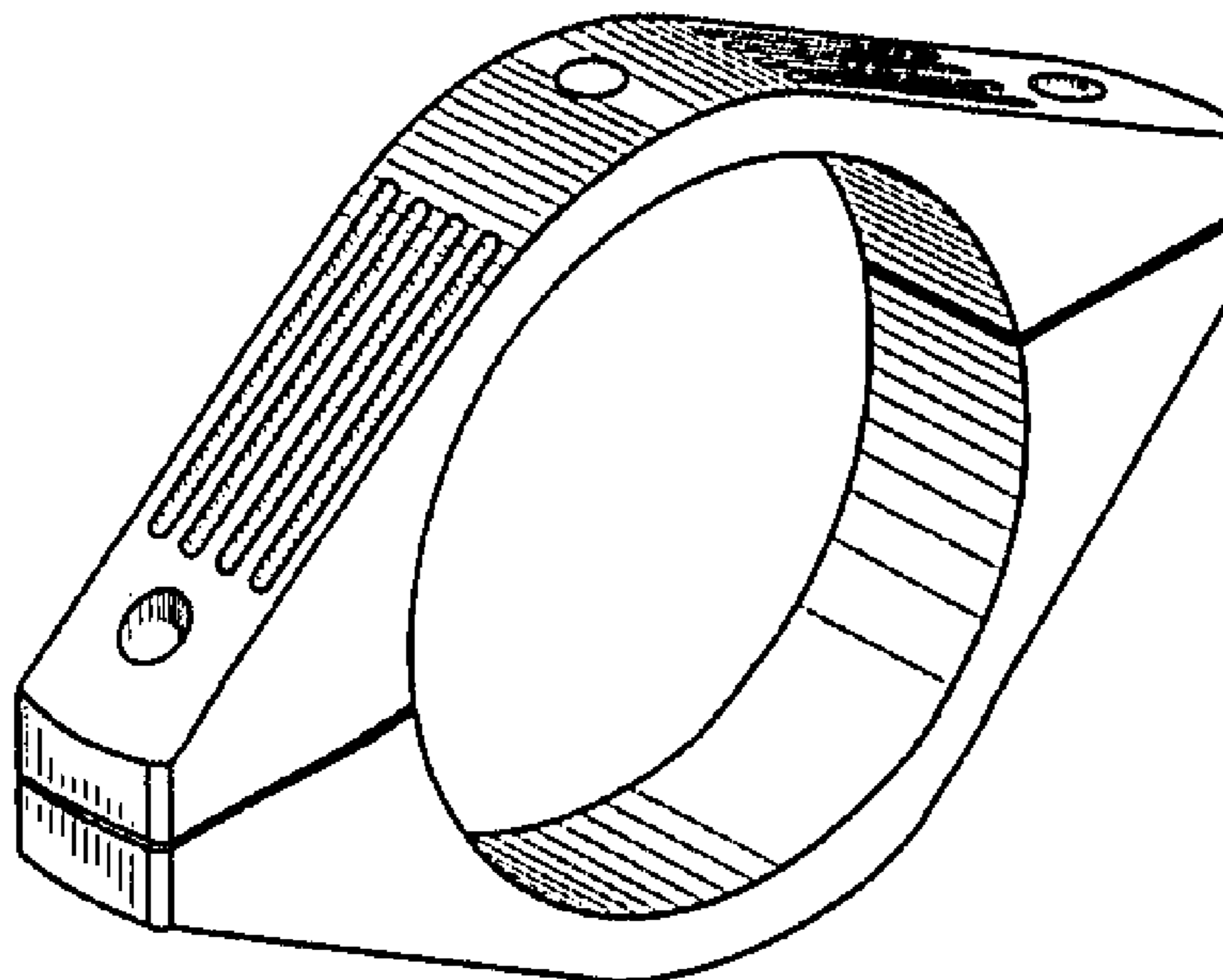
FIG. 2 is a front view thereof, the rear view being a mirror image thereof;

FIG. 3 is a right side view thereof, the left side view being a mirror image thereof;

FIG. 4 is a top view thereof; and,

FIG. 5 is a bottom view thereof.

1 Claim, 1 Drawing Sheet



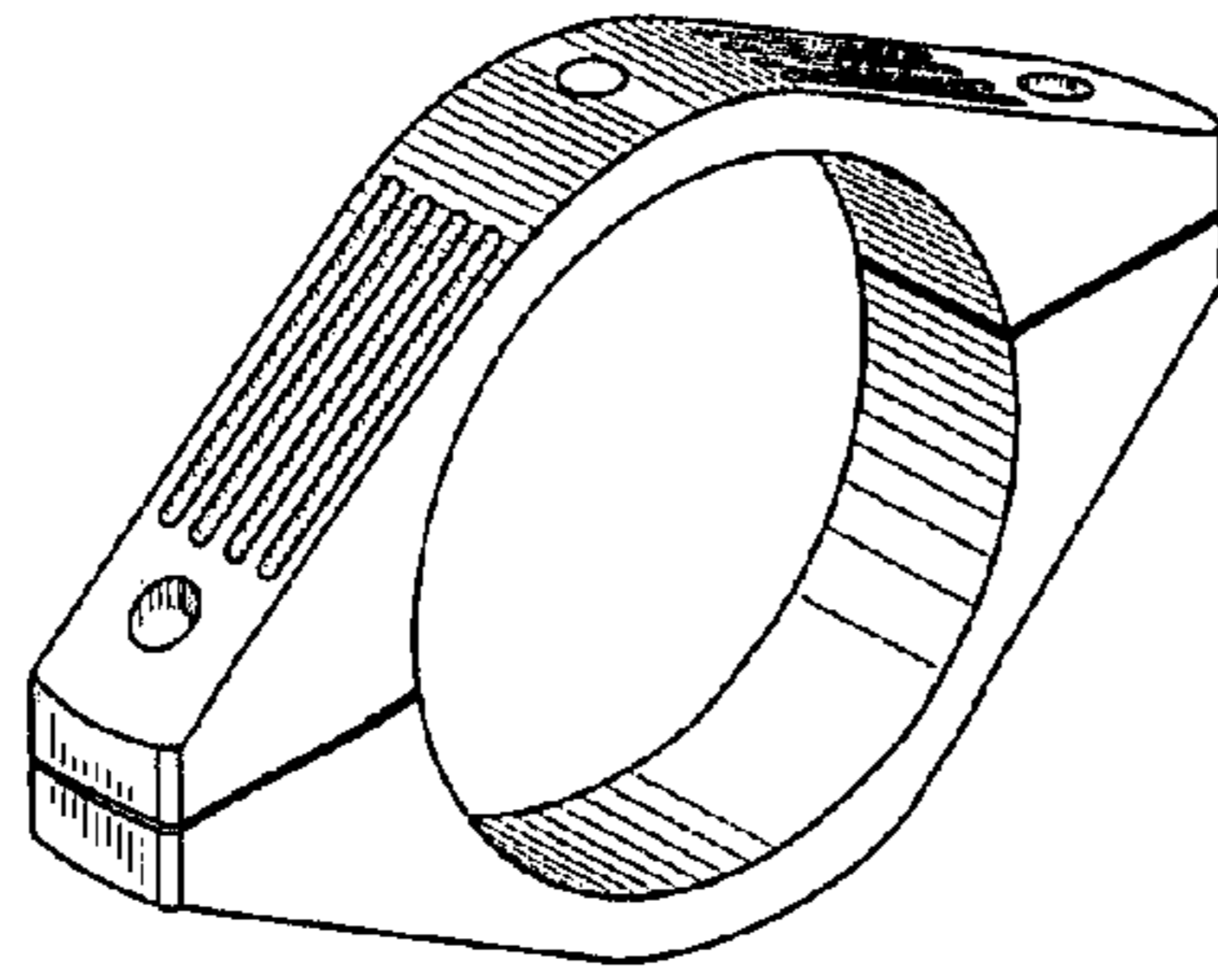


FIG. 1

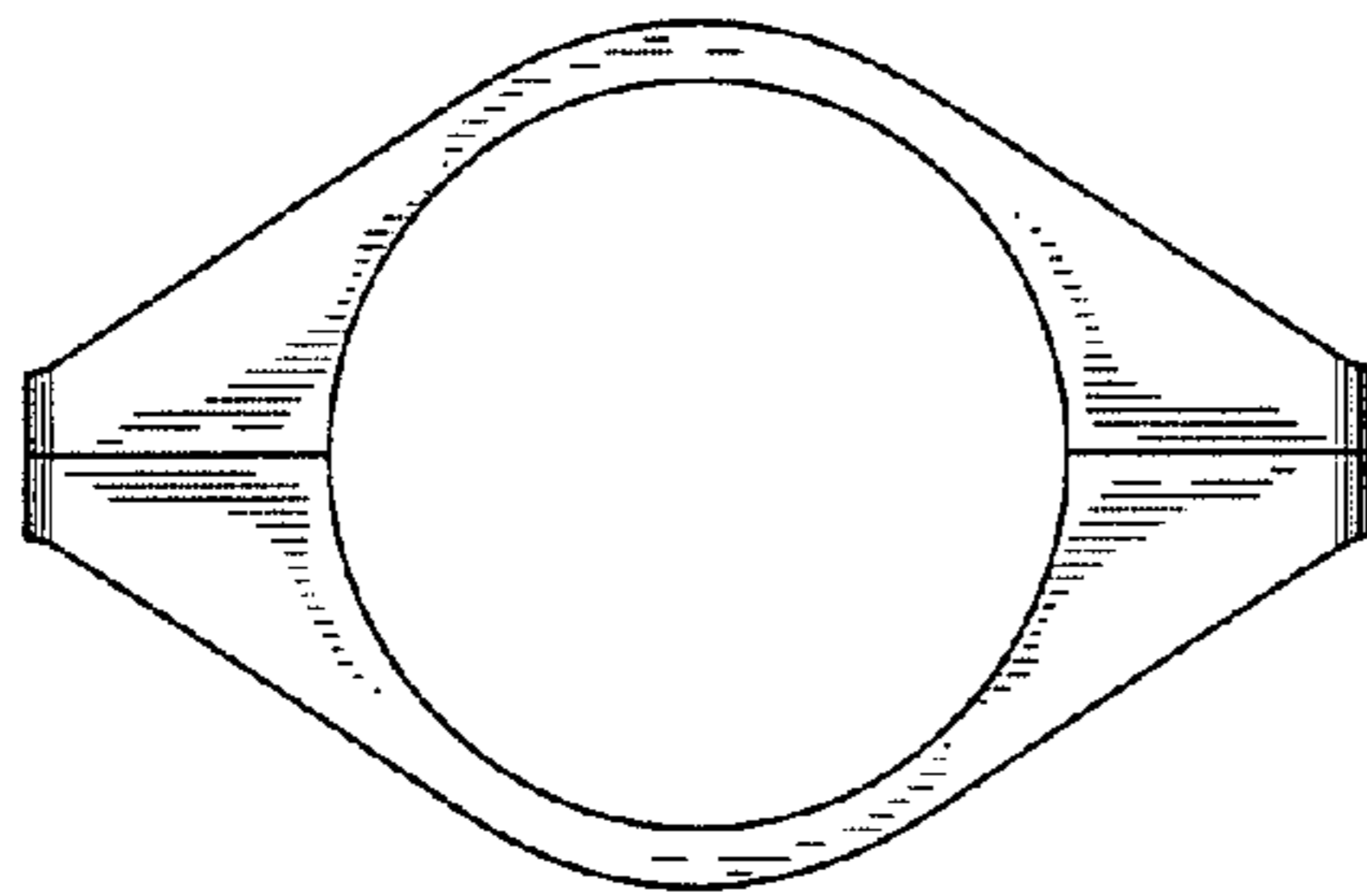


FIG. 2

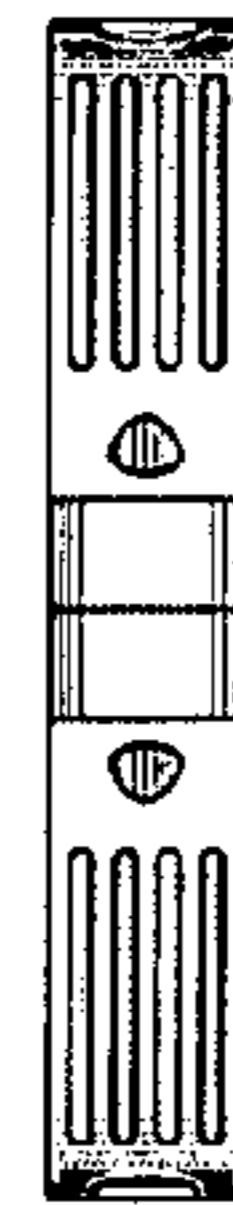


FIG. 3



FIG. 4



FIG. 5