



US00D560483S

(12) **United States Design Patent**
Mercier

(10) **Patent No.:** **US D560,483 S**

(45) **Date of Patent:** **** Jan. 29, 2008**

(54) **SUPPORT BRACKET**

(76) **Inventor:** **John Mercier**, P.O. Box 333, Cuddy,
PA (US) 15031

(**) **Term:** **14 Years**

(21) **Appl. No.:** **29/286,451**

(22) **Filed:** **May 7, 2007**

(51) **LOC (8) Cl.** **08-08**

(52) **U.S. Cl.** **D8/395; D8/354**

(58) **Field of Classification Search** D8/356,
D8/371, 394-396, 354; D19/65; D25/133;
248/49, 65, 74.2; 405/184.4

See application file for complete search history.

(56) **References Cited**

U.S. PATENT DOCUMENTS

3,673,753	A	*	7/1972	Anderson	52/685
D227,742	S	*	7/1973	Logodon	D8/354
D295,723	S	*	5/1988	Shioda	D8/396
5,871,306	A	*	2/1999	Tilcox	405/157
5,906,341	A	*	5/1999	Brown	248/49
D420,890	S	*	2/2000	Kuhnke	D8/354
D436,843	S	*	1/2001	Mudryk et al.	D8/382
D443,197	S	*	6/2001	Padrun	D8/354

D447,930	S	*	9/2001	Larson	D8/354
D486,055	S	*	2/2004	Fiorentino et al.	D8/354
D500,665	S	*	1/2005	Sorkin	D8/354
D531,486	S	*	11/2006	Ferris	D8/354

* cited by examiner

Primary Examiner—Stella M. Reid

Assistant Examiner—John Windmuller

(74) *Attorney, Agent, or Firm*—Carothers & Carothers

(57) **CLAIM**

The ornamental design for a support bracket, as shown and described.

DESCRIPTION

FIG. 1 is a perspective view of a support bracket showing my new design;

FIG. 2 is a front view thereof;

FIG. 3 is a rear view thereof;

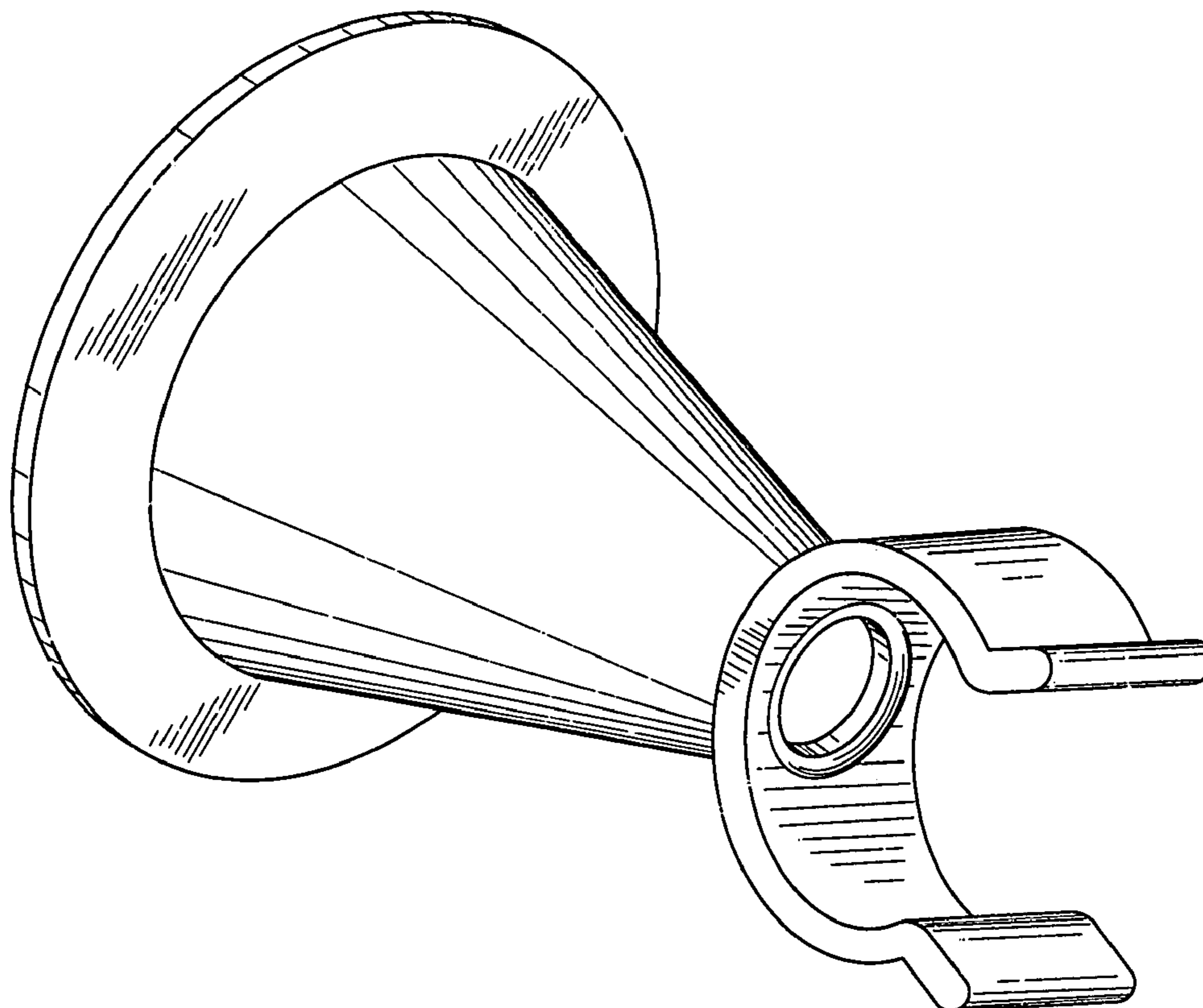
FIG. 4 is a right side view thereof;

FIG. 5 is a left side view thereof;

FIG. 6 is a top view thereof; and,

FIG. 7 is a bottom view thereof.

1 Claim, 4 Drawing Sheets



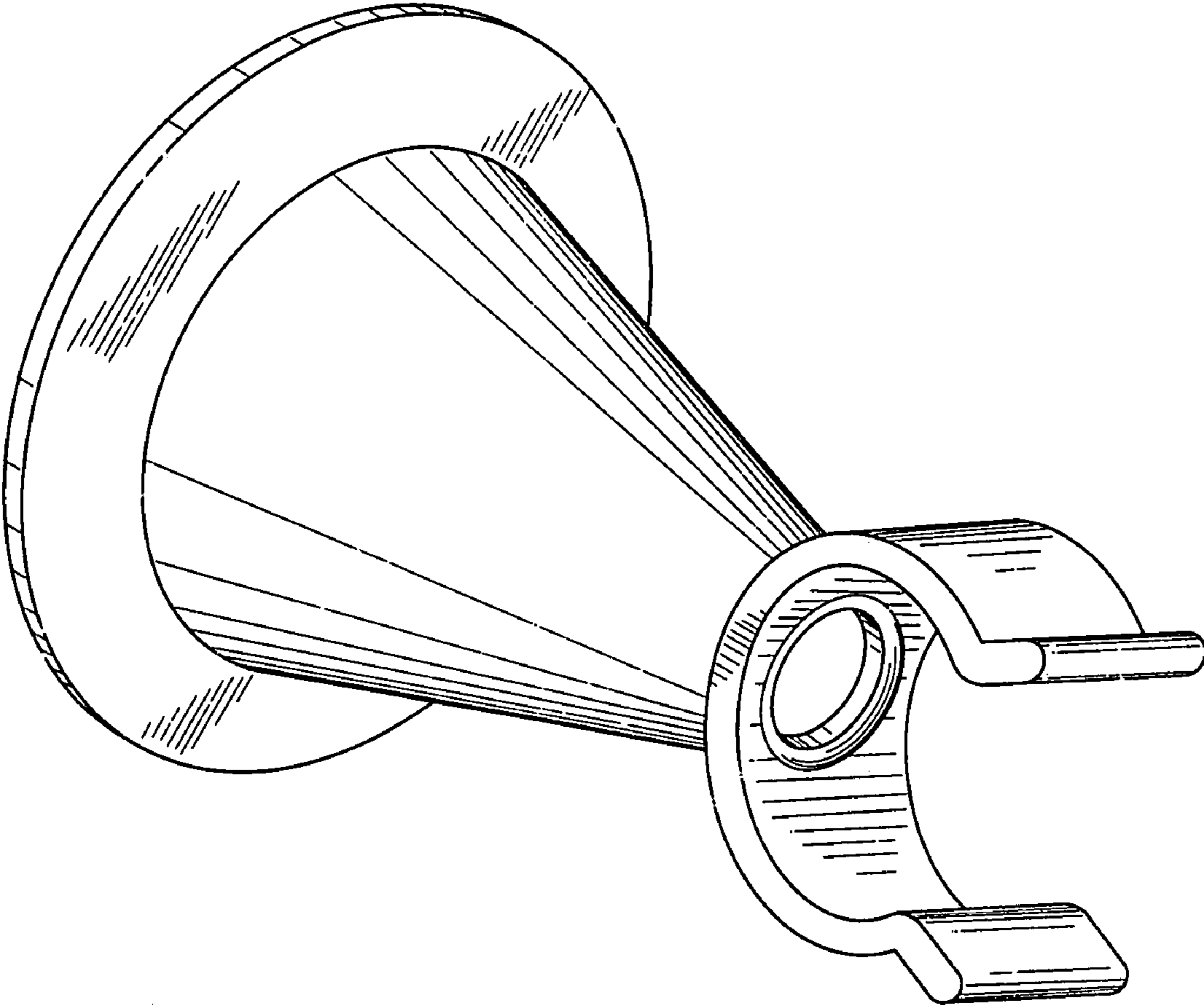


FIG. 1

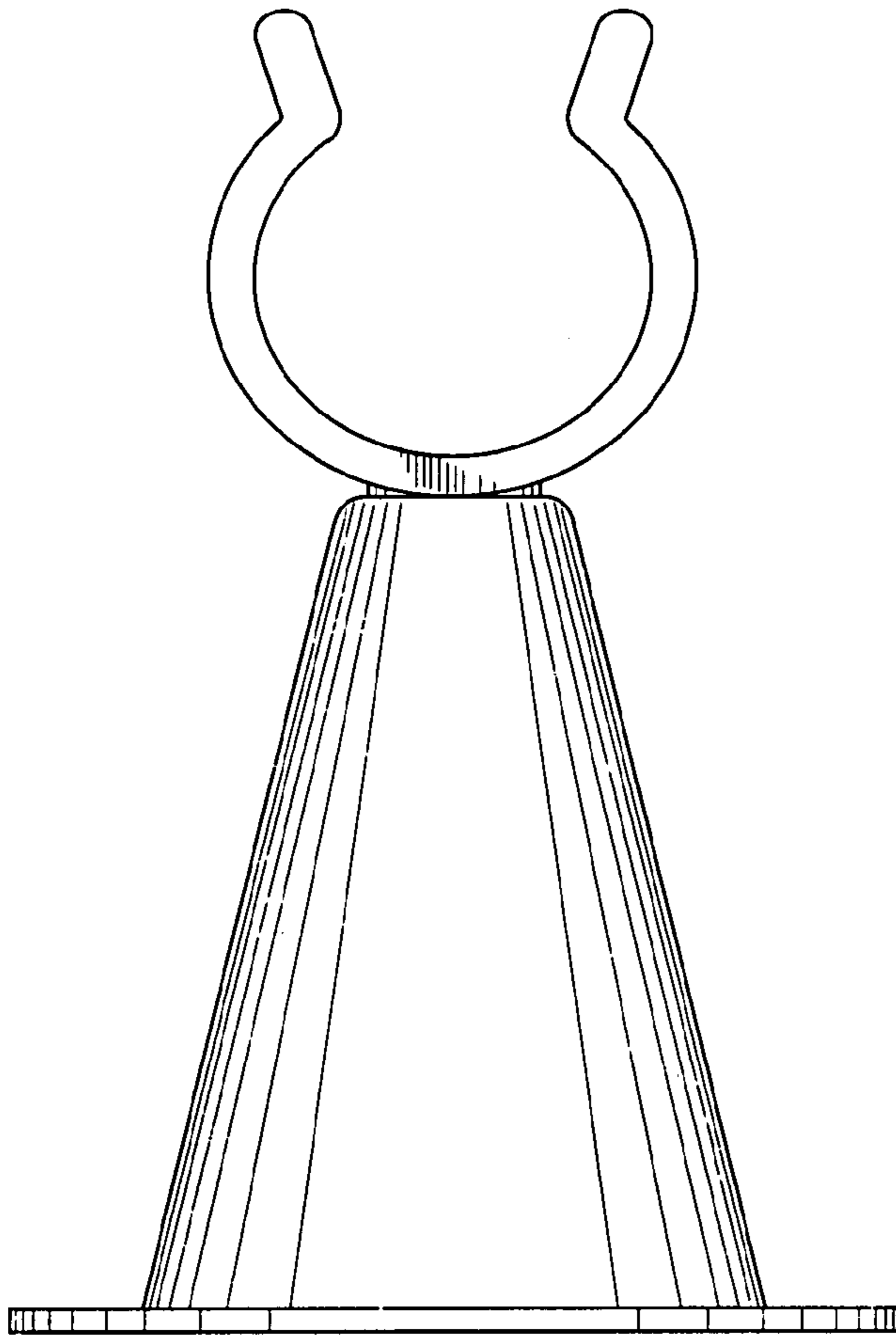


FIG. 2

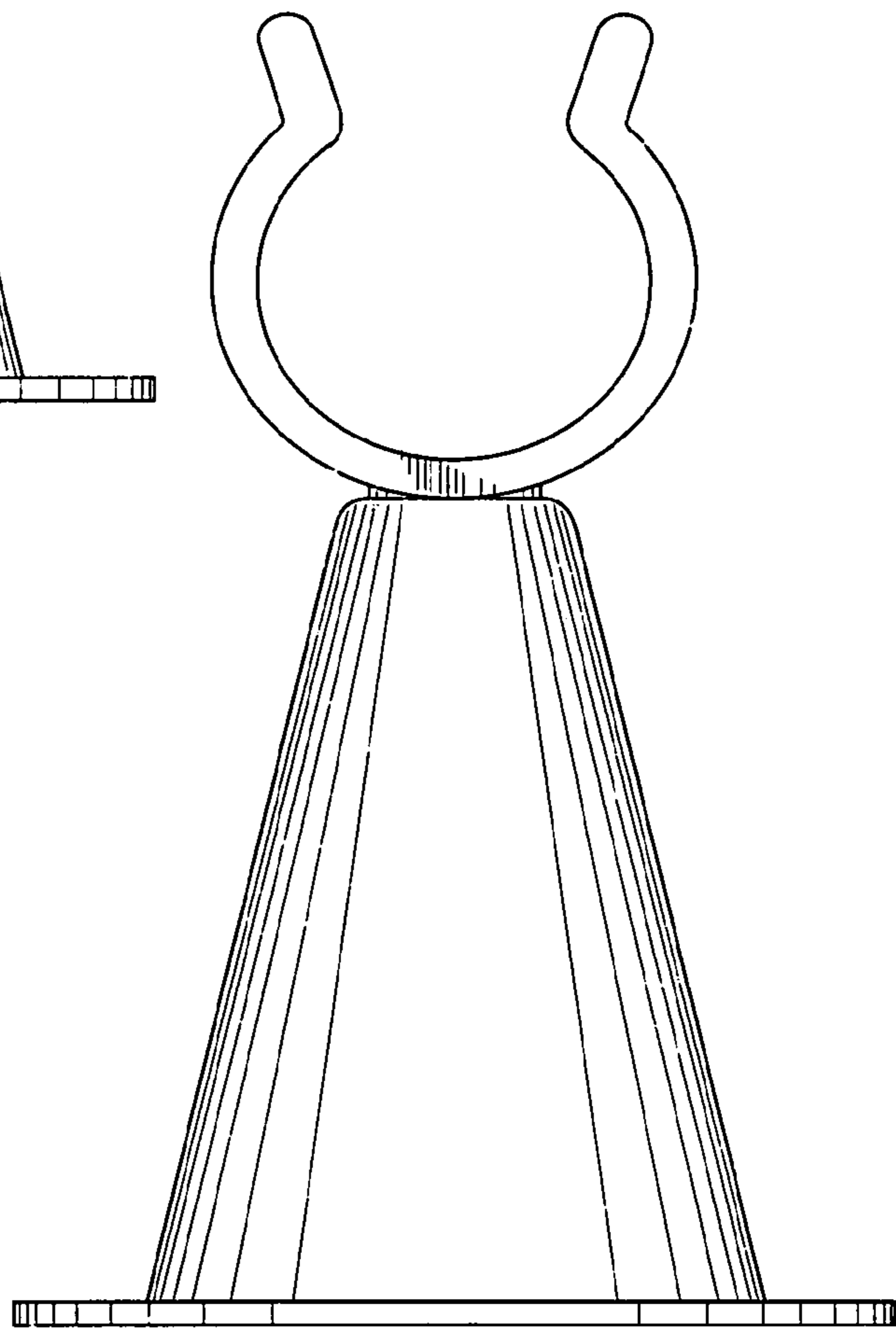


FIG. 3

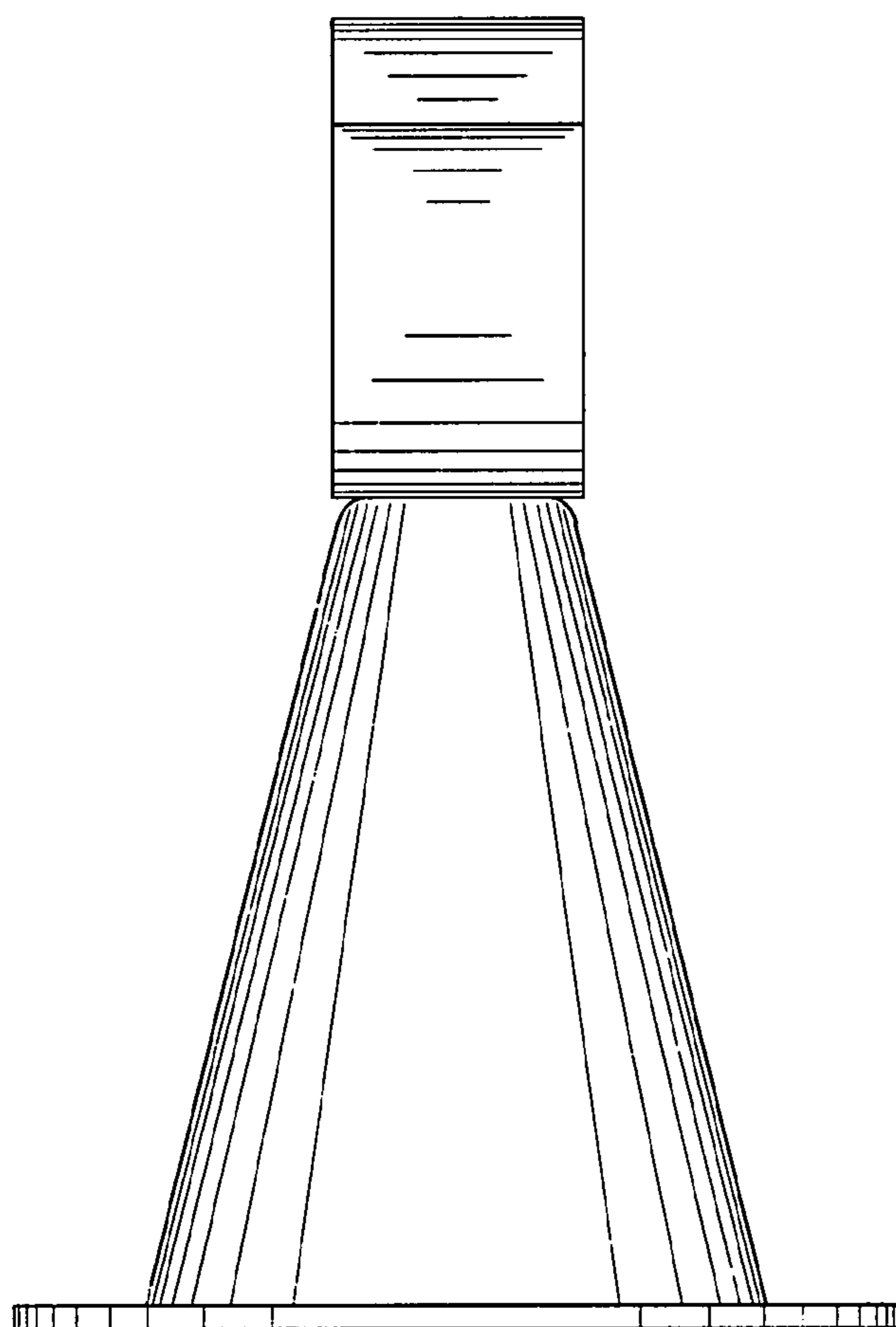


FIG. 4

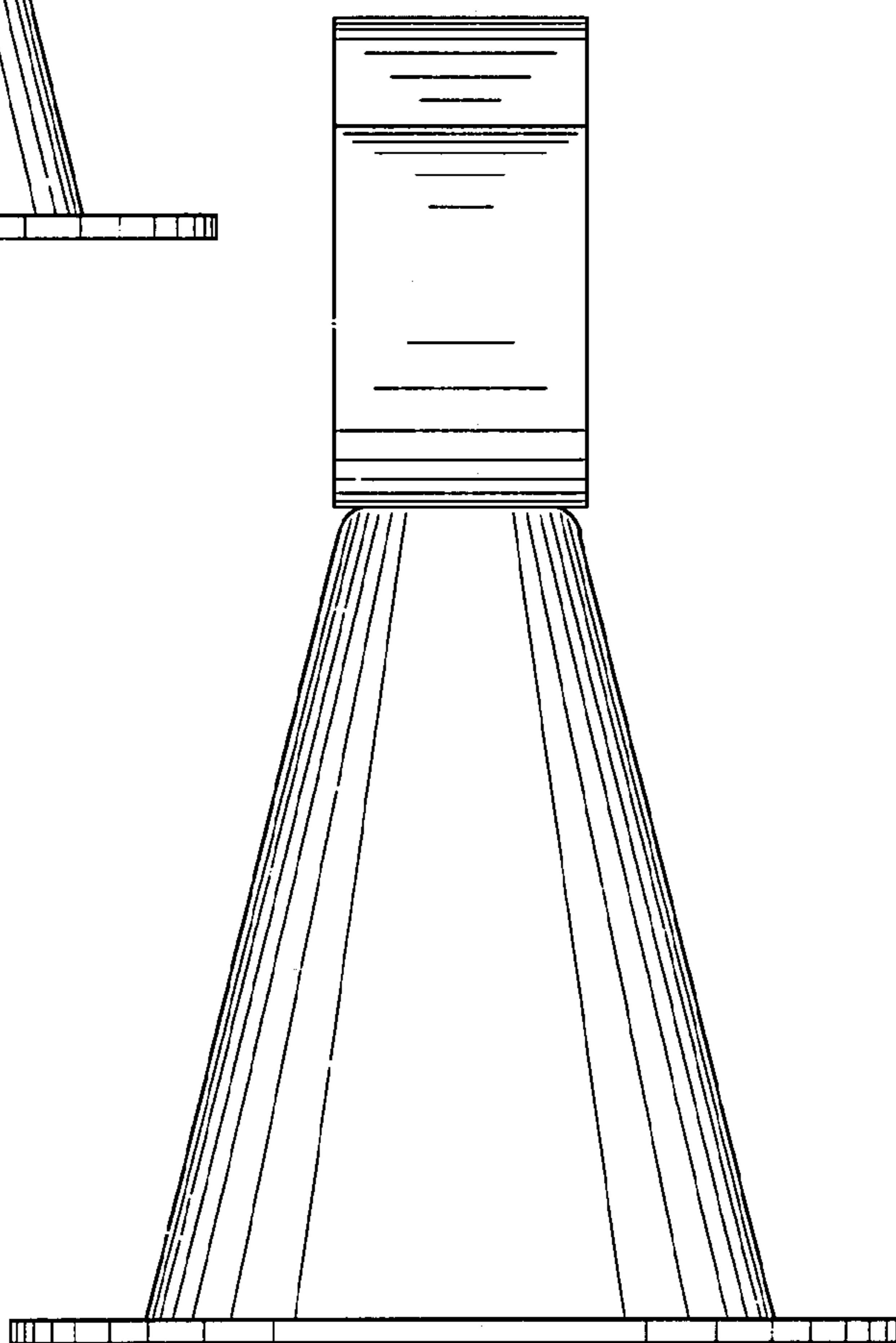


FIG. 5

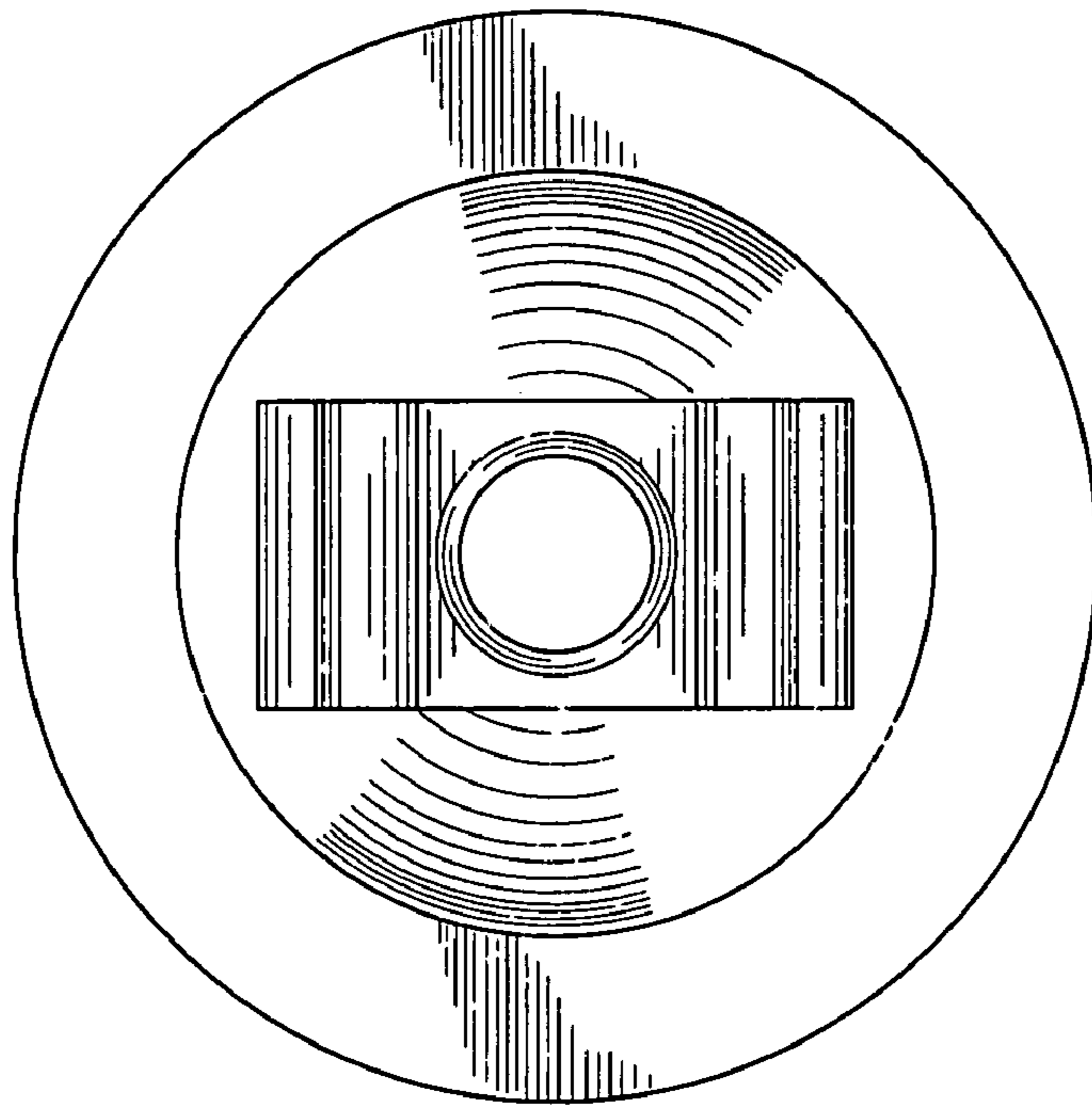


FIG. 6

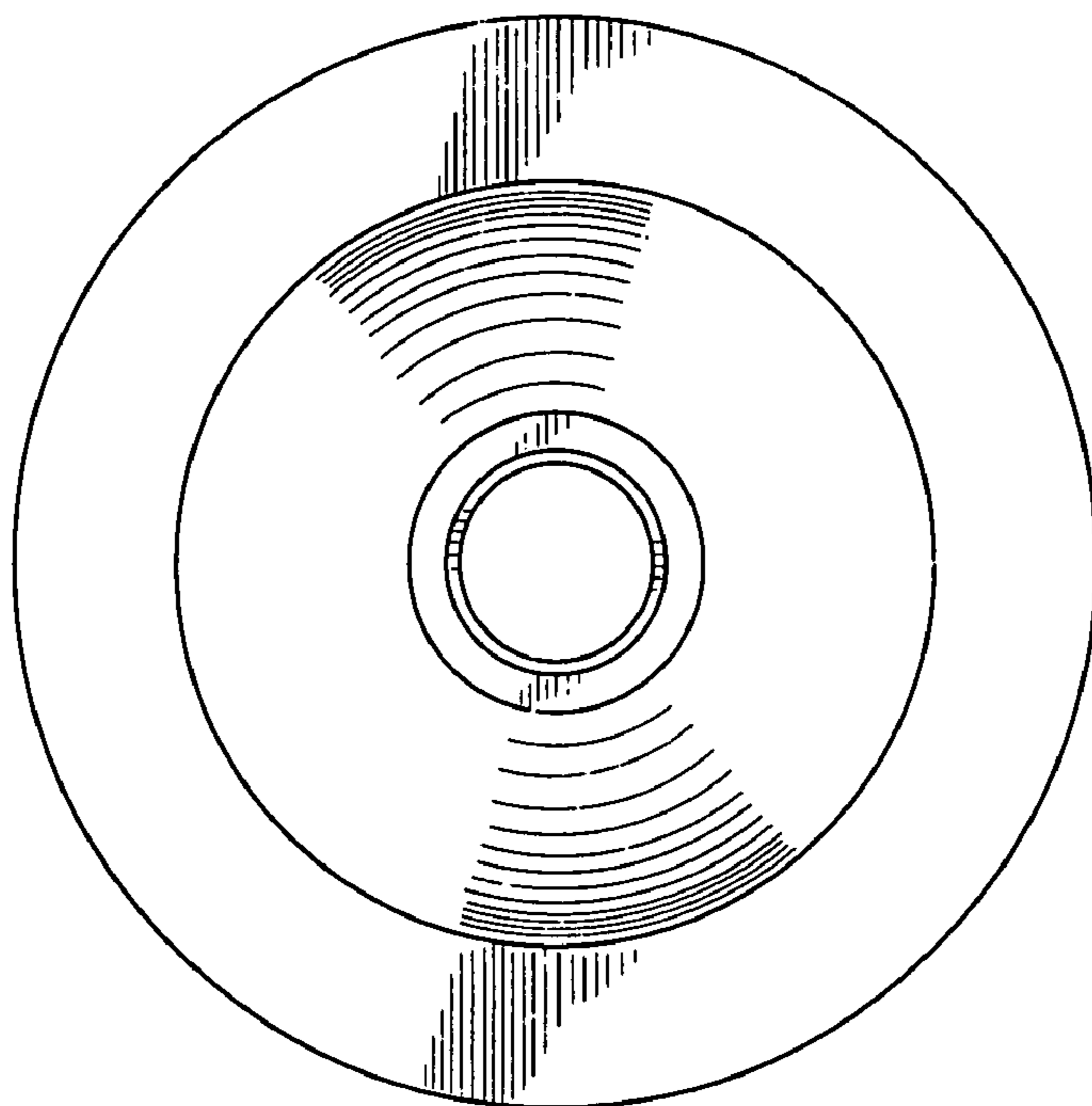


FIG. 7