



US00D560481S

(12) **United States Design Patent**
Dinger

(10) **Patent No.:** **US D560,481 S**

(45) **Date of Patent:** **** Jan. 29, 2008**

(54) **CLIP**

(75) Inventor: **R. Scott Dinger**, Fenton, MI (US)

(73) Assignee: **A.M.S.E.A.**, Flint, MI (US)

(**) Term: **14 Years**

(21) Appl. No.: **29/211,880**

(22) Filed: **Aug. 20, 2004**

(51) **LOC (8) Cl.** **08-08**

(52) **U.S. Cl.** **D8/395**

(58) **Field of Classification Search** D8/356,
D8/371, 394-396, 499, 53, 100, 365; D12/51;
D19/65, 90; D28/39, 40, 42; 24/546, 563,
24/910, 327, 334, DIG. 8, DIG. 9, DIG. 13,
24/DIG. 28; 248/74.2, 300, 301, 316.7,
248/229.26

See application file for complete search history.

(56) **References Cited**

U.S. PATENT DOCUMENTS

D310,955 S * 10/1990 Platten D8/382
D316,333 S * 4/1991 Maki D6/328

D317,711 S * 6/1991 Sollner D8/394
D322,390 S * 12/1991 Nimtz et al. D8/395
D515,454 S * 2/2006 Shah D11/61

* cited by examiner

Primary Examiner—Stella M. Reid

Assistant Examiner—John Windmuller

(74) *Attorney, Agent, or Firm*—Harness, Dickey & Pierce,
P.L.C.

(57) **CLAIM**

The ornamental design for a clip, as shown and described.

DESCRIPTION

FIG. 1 is a front elevational view of a clip showing my new design;

FIG. 2 is a rear elevational view thereof;

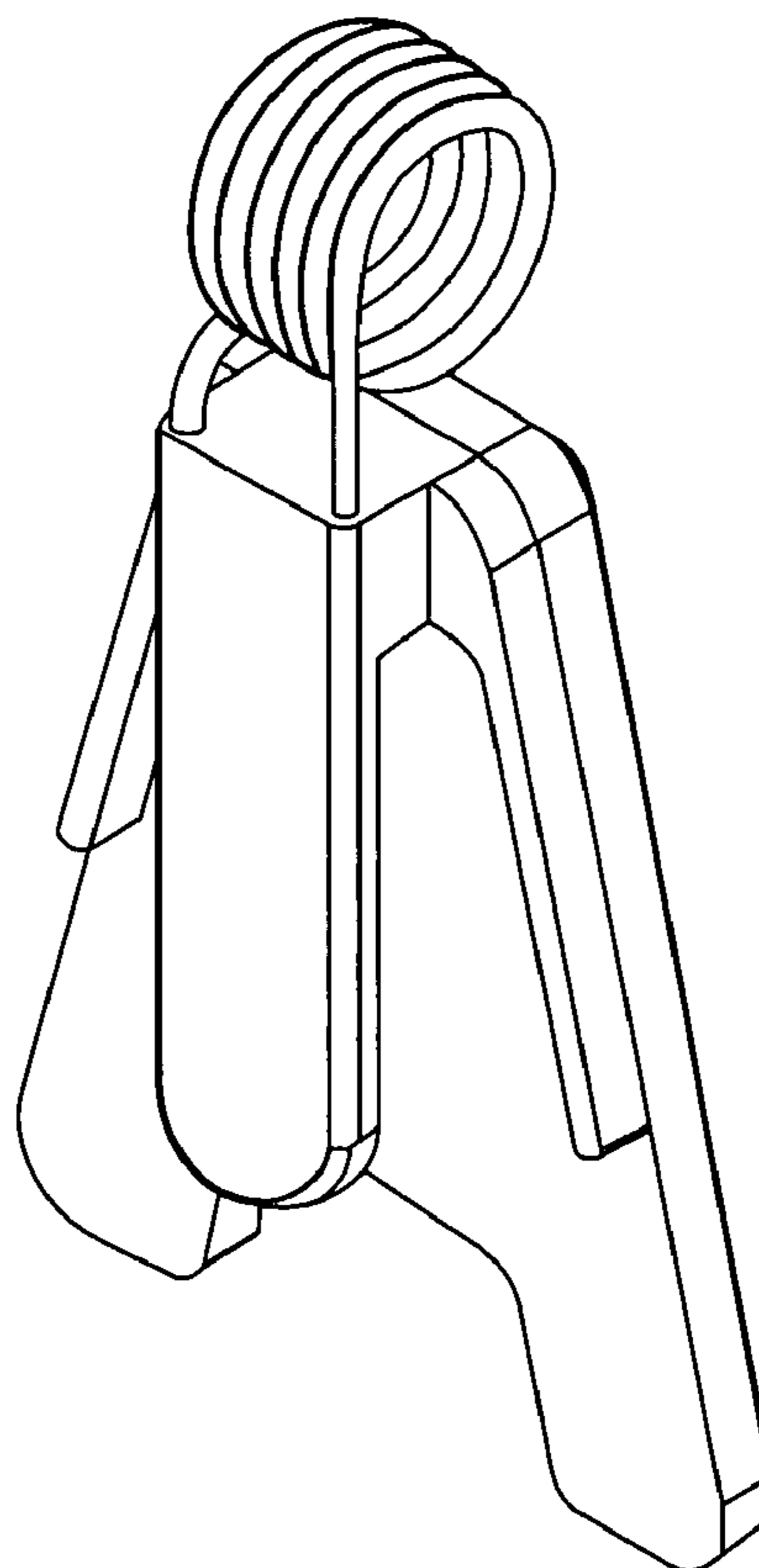
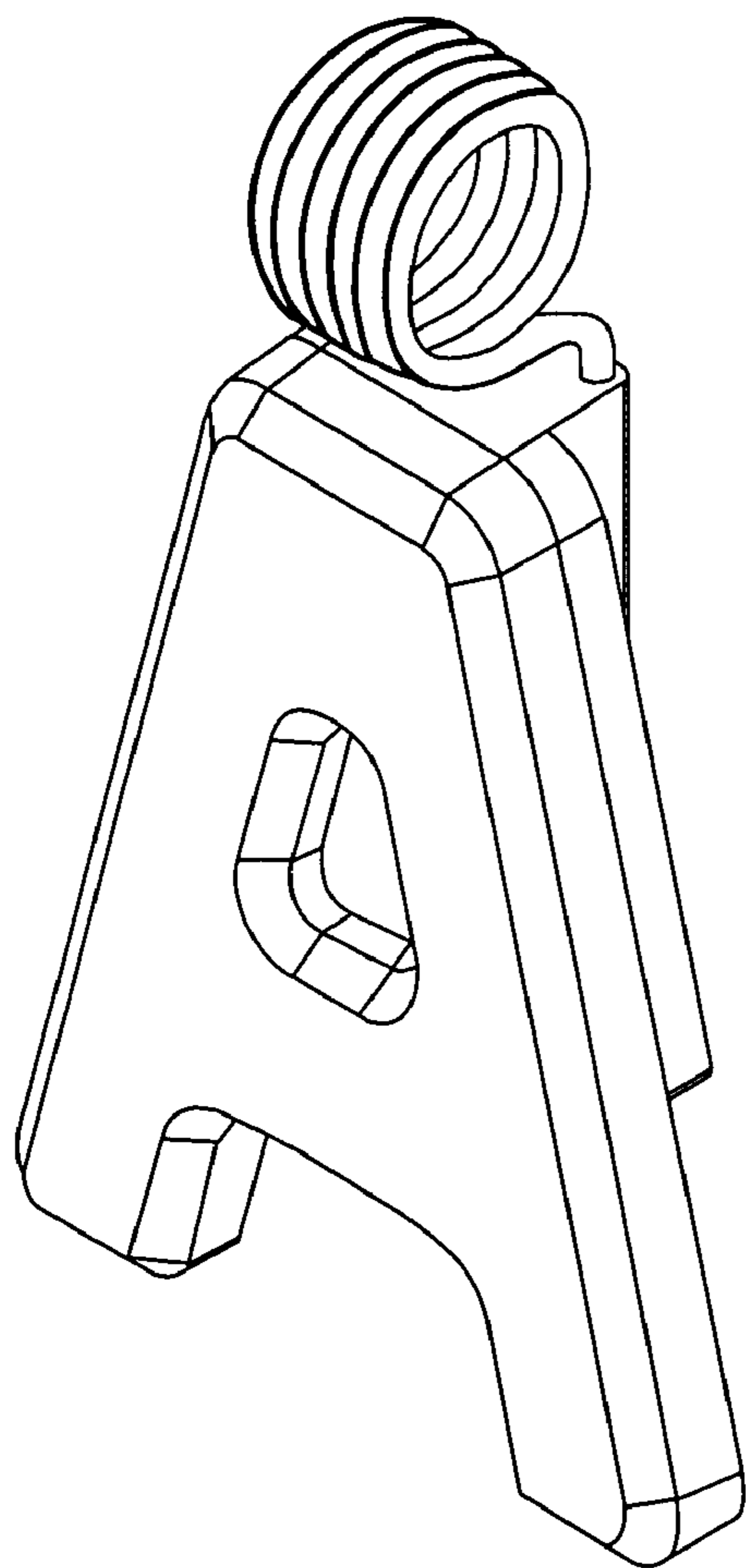
FIG. 3 is a left side elevational view thereof;

FIG. 4 is a right side elevational view;

FIG. 5 is a front perspective view thereof; and,

FIG. 6 is a rear perspective view thereof.

1 Claim, 3 Drawing Sheets



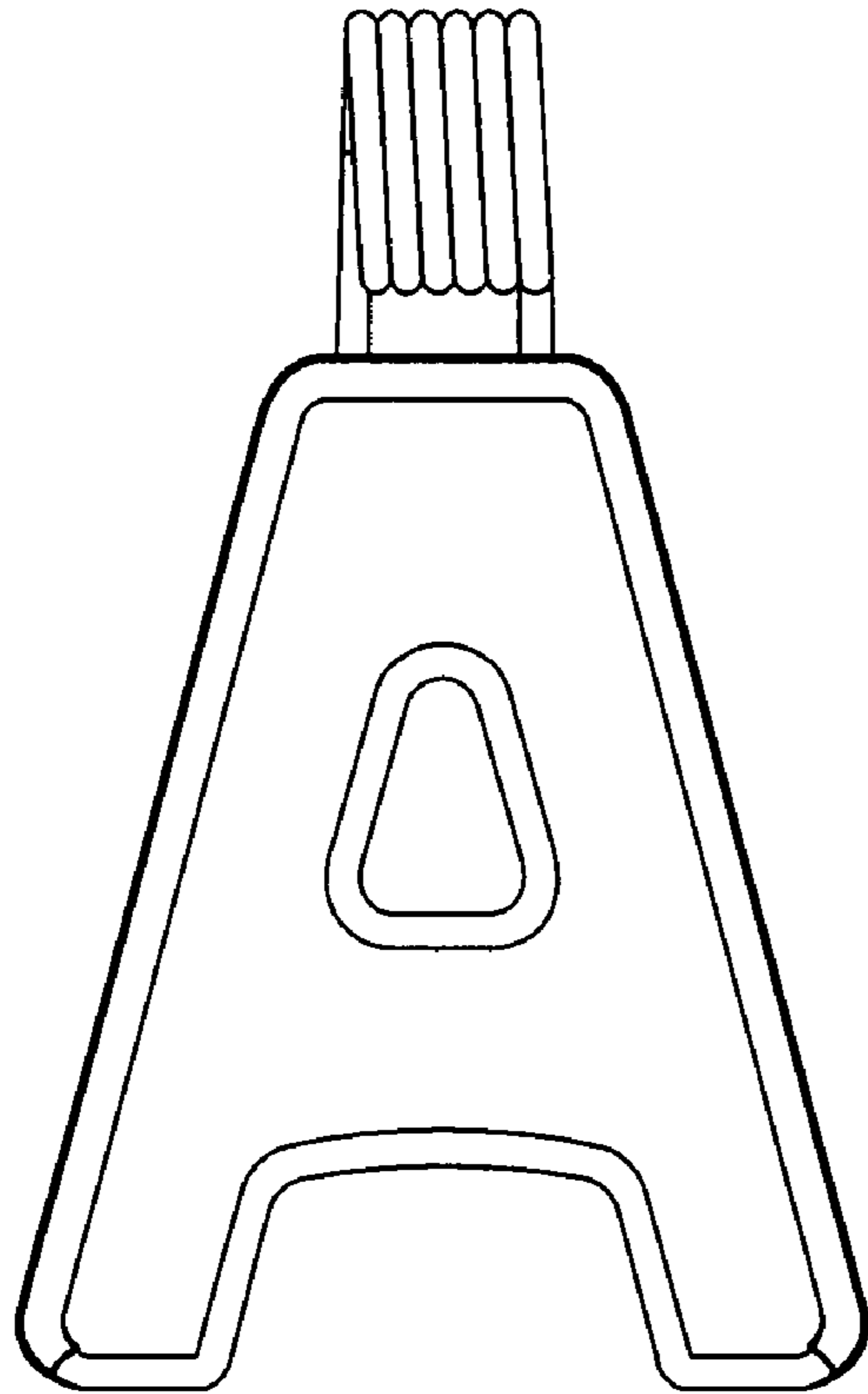


FIG. 1

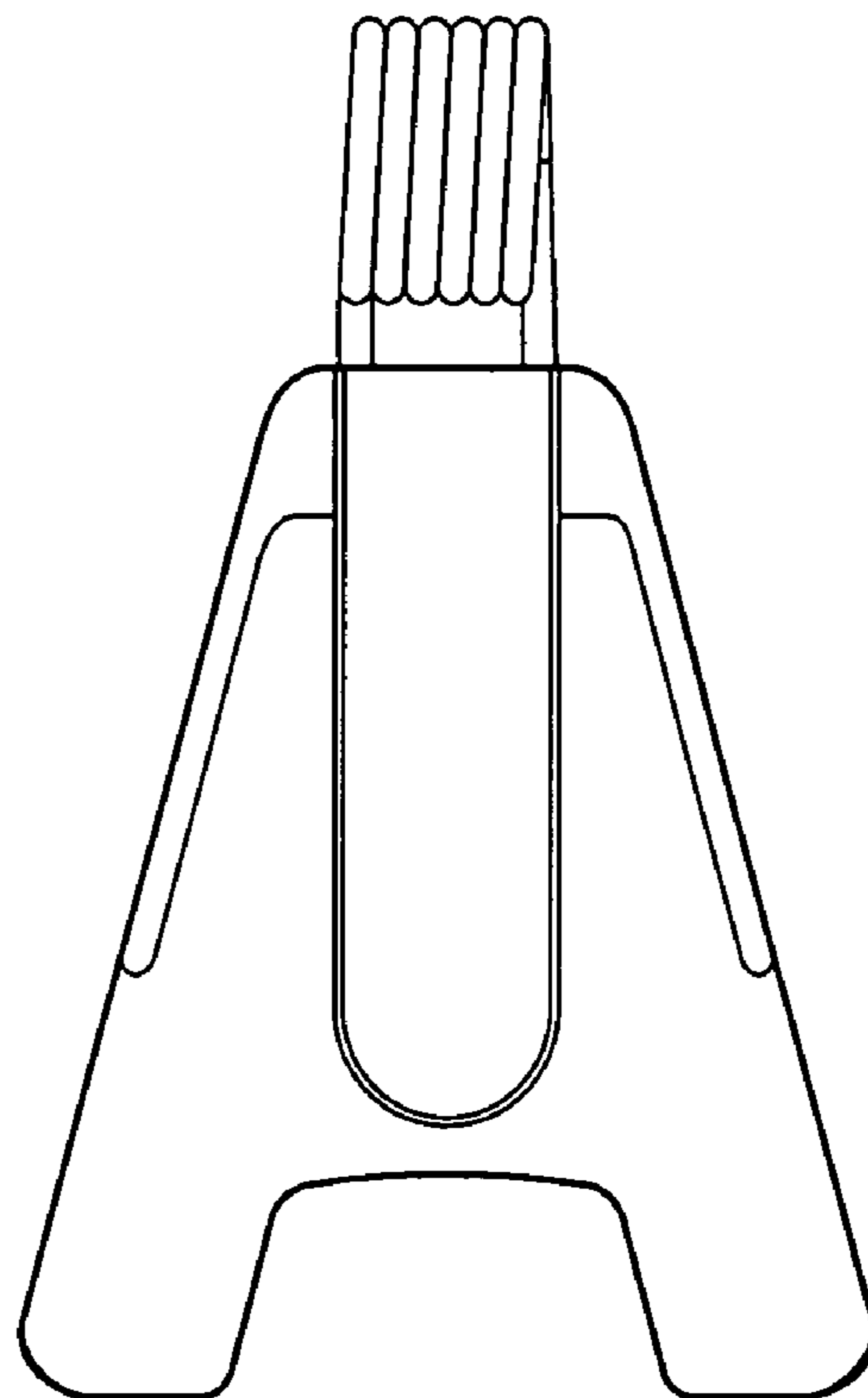


FIG. 2

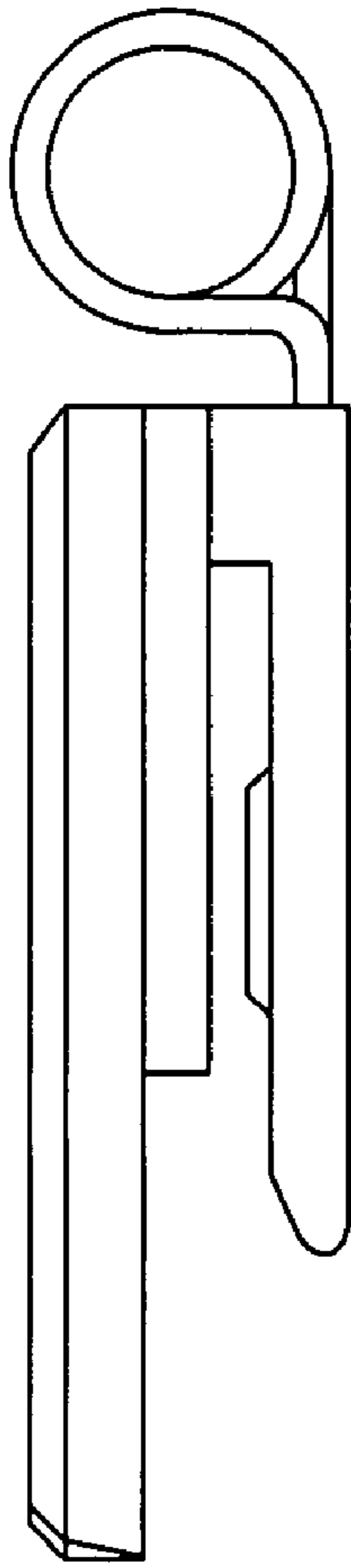


FIG. 3

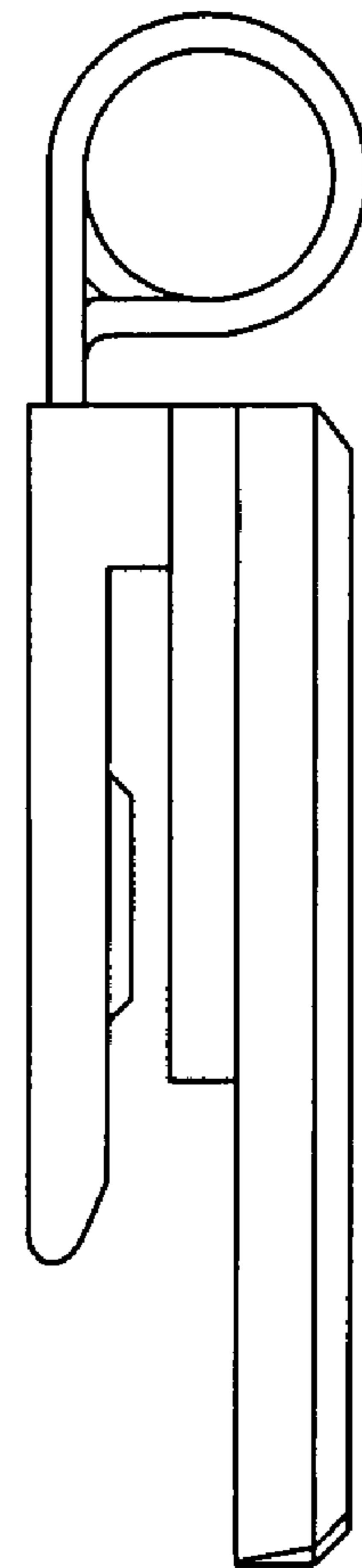


FIG. 4

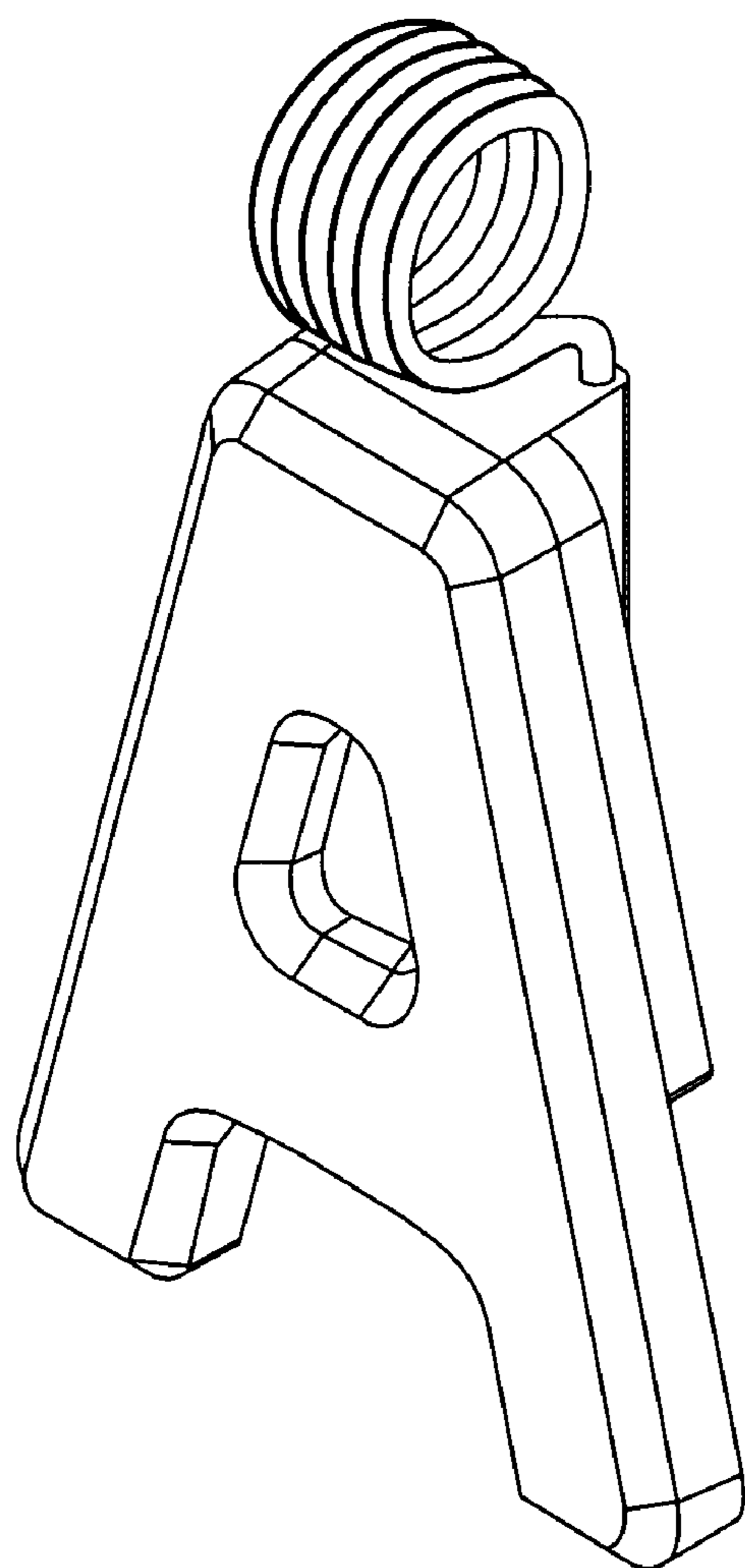


FIG. 6

FIG. 5

