



US00D560478S

(12) **United States Design Patent**  
**Yoshie et al.**

(10) **Patent No.:** **US D560,478 S**  
(45) **Date of Patent:** **\*\* Jan. 29, 2008**

(54) **CORD STOPPER**

(75) Inventors: **Kenichi Yoshie**, Kurobe (JP); **Shin Yonamine**, Tokyo (JP)

(73) Assignee: **YKK Corporation**, Tokyo (JP)

(\*\*) Term: **14 Years**

(21) Appl. No.: **29/263,349**

(22) Filed: **Jul. 20, 2006**

(30) **Foreign Application Priority Data**

Jan. 27, 2006 (JP) ..... 2006-001715

(51) **LOC (8) Cl.** ..... **08-08**

(52) **U.S. Cl.** ..... **D8/383**

(58) **Field of Classification Search** ..... D8/383,  
D8/395, 356, 394; 24/115 G, 136 R, 115 M;  
D11/215, 212; D2/978

See application file for complete search history.

(56) **References Cited**

**U.S. PATENT DOCUMENTS**

- 4,622,723 A \* 11/1986 Krauss ..... 24/115 G
- 4,675,948 A \* 6/1987 Bengtsson ..... 24/115 G
- 4,839,946 A \* 6/1989 Murai ..... 24/115 G
- D310,166 S \* 8/1990 Fildan ..... D8/383
- D343,570 S \* 1/1994 Meier ..... D8/383
- 5,323,514 A \* 6/1994 Masuda et al. .... 24/115 G
- D367,222 S \* 2/1996 Ikeda ..... D8/383
- D368,852 S \* 4/1996 Ikeda ..... D8/383
- D373,076 S \* 8/1996 Ikeda ..... D8/383
- 5,621,952 A \* 4/1997 Frano ..... 24/115 G
- 5,671,505 A \* 9/1997 Anscher ..... 24/115 G
- 5,737,808 A \* 4/1998 Ikeda ..... 24/115 G
- D399,045 S \* 10/1998 Liston ..... D2/978
- D402,190 S \* 12/1998 Anscher ..... D8/383
- D417,388 S \* 12/1999 Kawahara ..... D8/383
- 6,018,851 A \* 2/2000 Anscher ..... 24/115 G
- 6,038,746 A \* 3/2000 Anscher et al. .... 24/115 G
- D430,484 S \* 9/2000 Ikeda ..... D8/383
- D439,148 S \* 3/2001 Ishii ..... D8/383
- D439,507 S \* 3/2001 Ikeda ..... D8/383
- D451,005 S \* 11/2001 Murata ..... D8/383

- 6,334,240 B1 \* 1/2002 Li ..... 24/115 G
- 6,339,865 B1 \* 1/2002 Takahashi et al. .... 24/136 R
- D454,777 S \* 3/2002 Yoshiguchi ..... D8/383
- D465,408 S \* 11/2002 Man et al. .... D8/395
- D481,300 S \* 10/2003 Nezu ..... D8/383
- D481,301 S \* 10/2003 Nezu ..... D8/383
- D485,488 S \* 1/2004 Tsukuda ..... D8/383
- D497,540 S \* 10/2004 Watabe et al. .... D8/383
- 7,140,078 B2 \* 11/2006 Watabe ..... 24/115 G
- D540,662 S \* 4/2007 Pontaoe ..... D8/383
- D543,445 S \* 5/2007 Latal et al. .... D8/383
- D548,578 S \* 8/2007 Wu ..... D8/383
- D549,087 S \* 8/2007 Pontaoe ..... D8/383

**FOREIGN PATENT DOCUMENTS**

JP 1017388 8/1998

\* cited by examiner

*Primary Examiner*—Holly H. Baynham

*Assistant Examiner*—Sheryl Friedman

(74) *Attorney, Agent, or Firm*—Everest Intellectual Property Law Group; Michael S. Leonard

(57) **CLAIM**

The ornamental design for a cord stopper, as shown and described.

**DESCRIPTION**

FIG. 1 is a front view of a cord stopper of the claimed design.

FIG. 2 is a rear view of the cord stopper of FIG. 1.

FIG. 3 is a plan view of the cord stopper of FIG. 1.

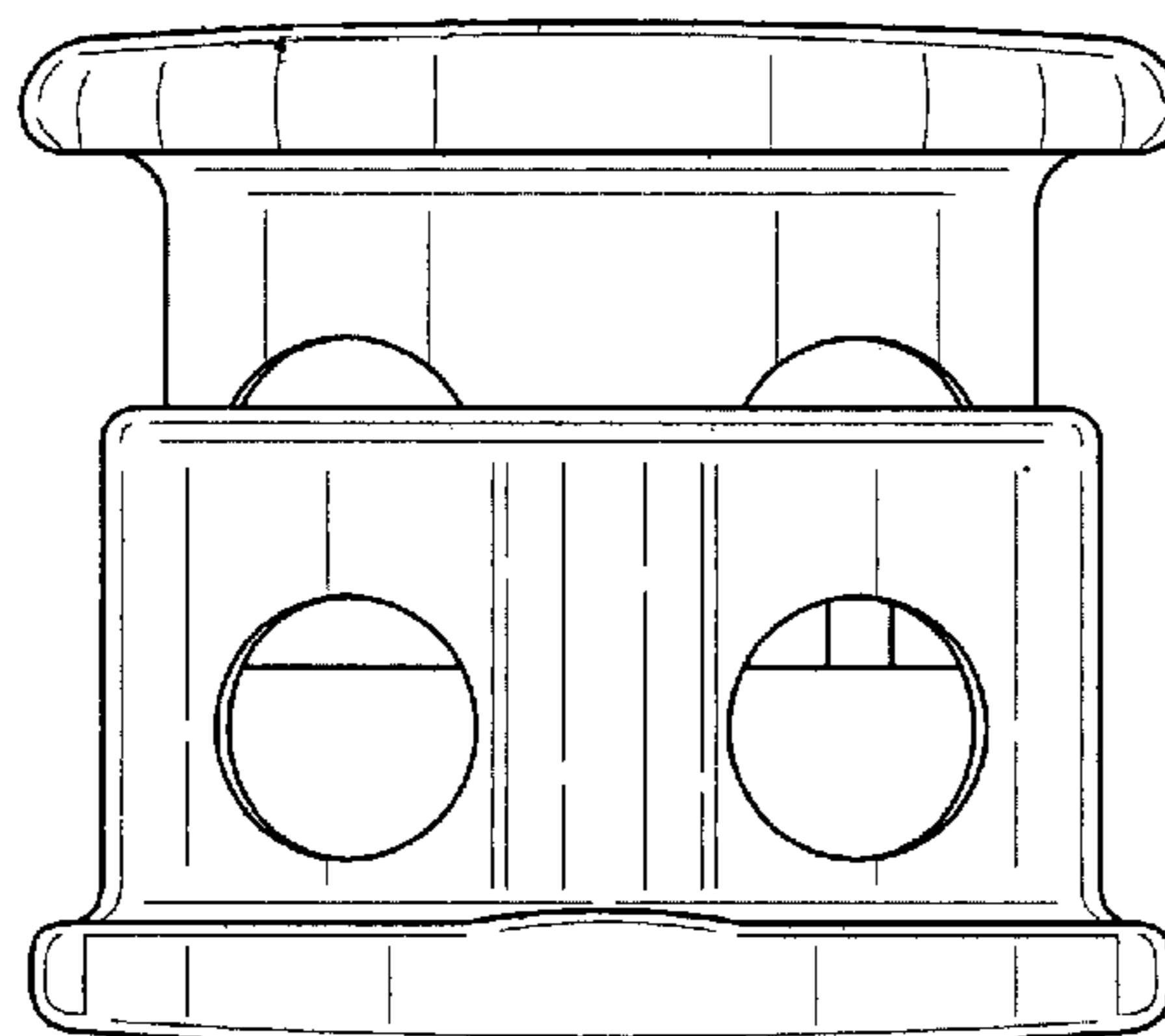
FIG. 4 is a right side view of the cord stopper of FIG. 1.

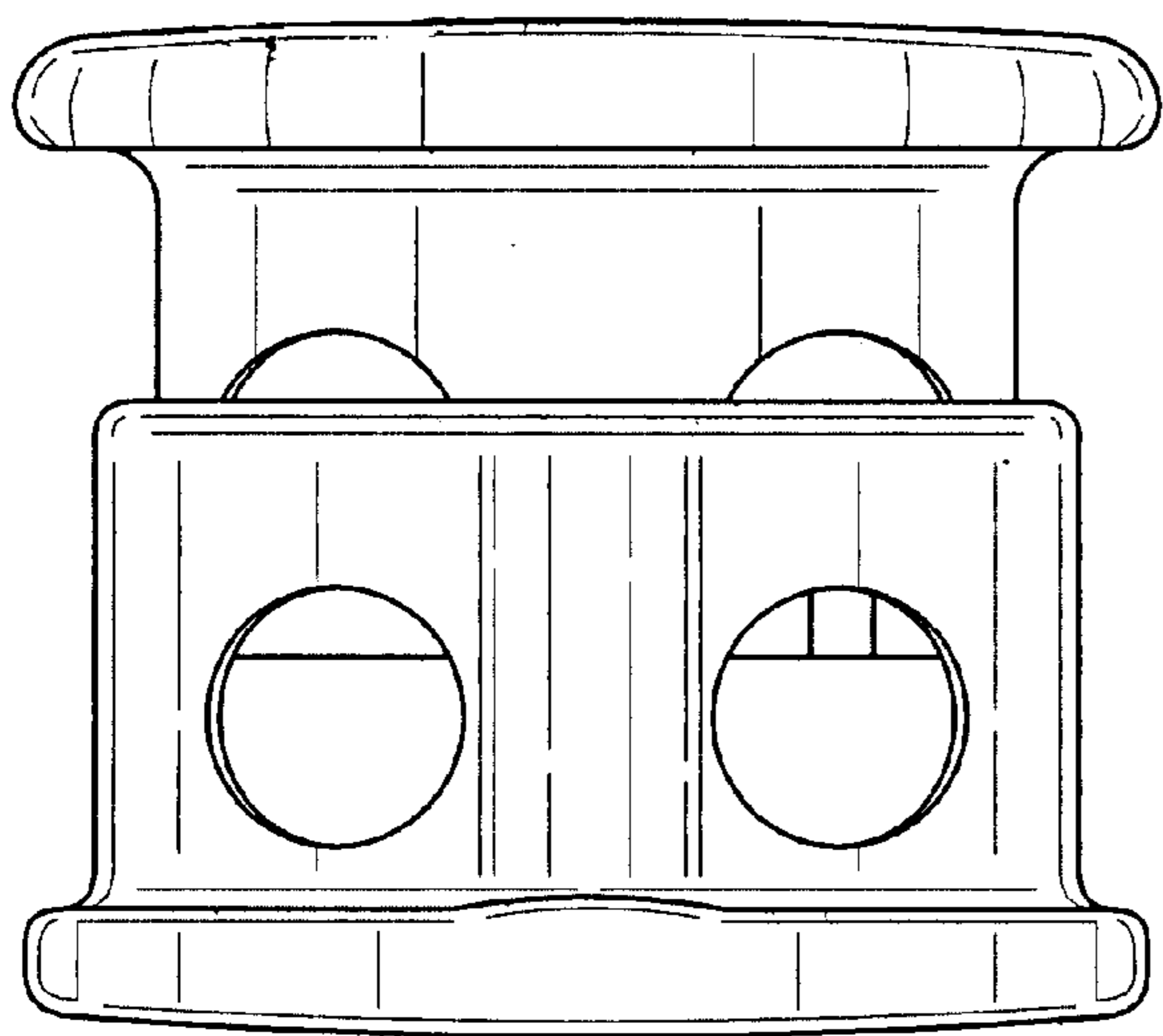
FIG. 5 is a perspective view of the cord stopper of FIG. 1; and,

FIG. 6 is a perspective reference view of the cord stopper of FIG. 1, showing it in use.

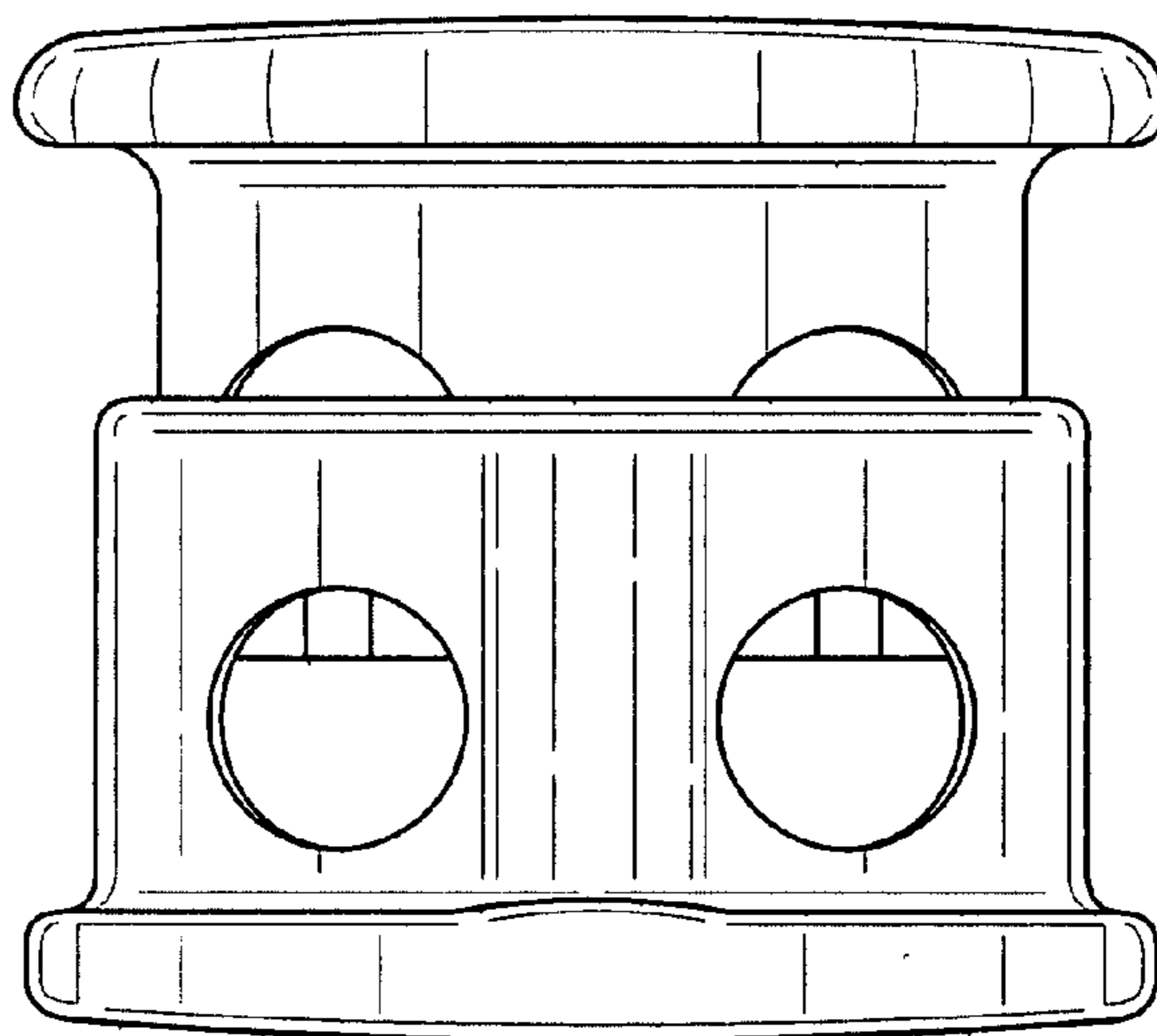
The broken line showing of the cord is included for the purpose of illustrating environment and forms no part of the claimed design.

**1 Claim, 3 Drawing Sheets**

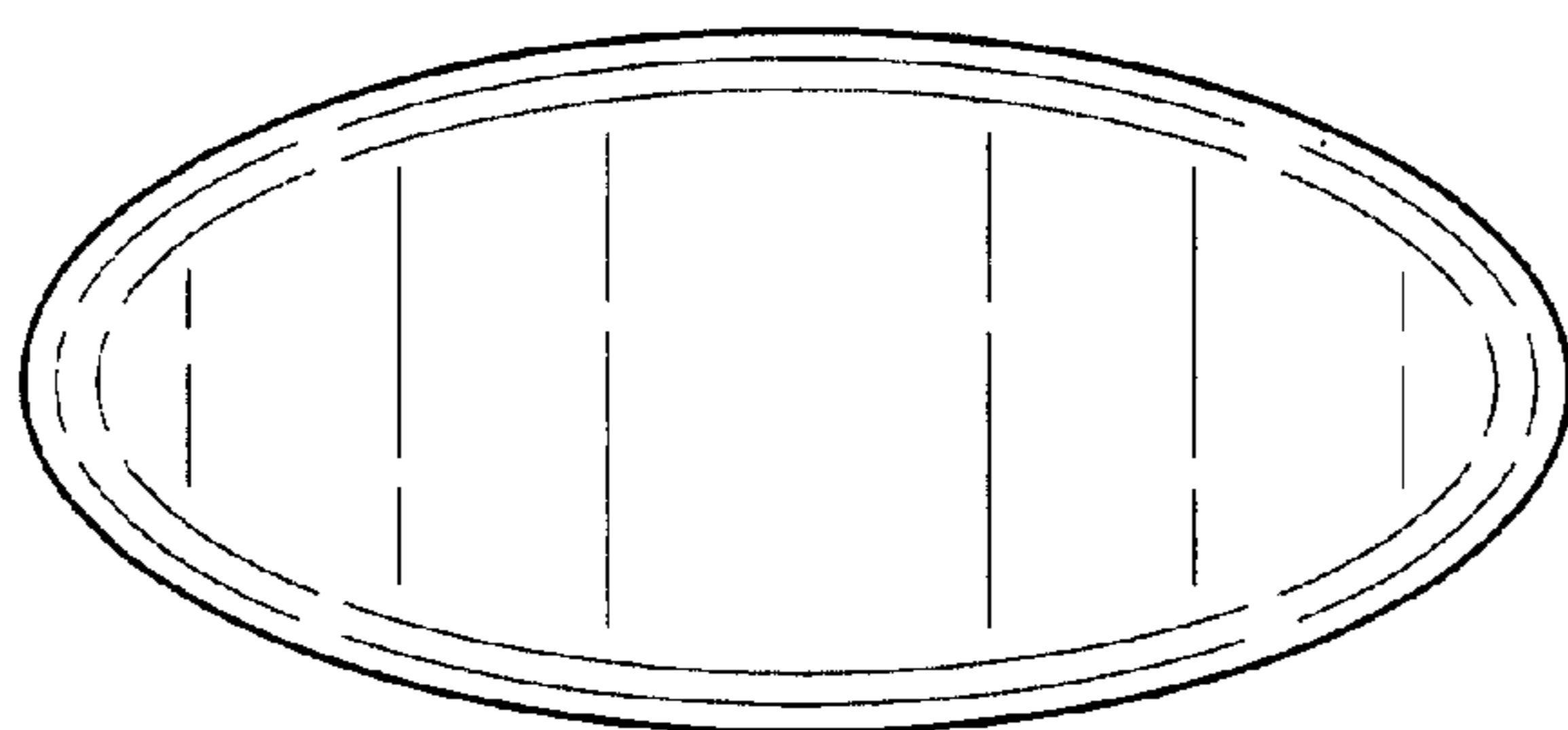




**FIG. 1**

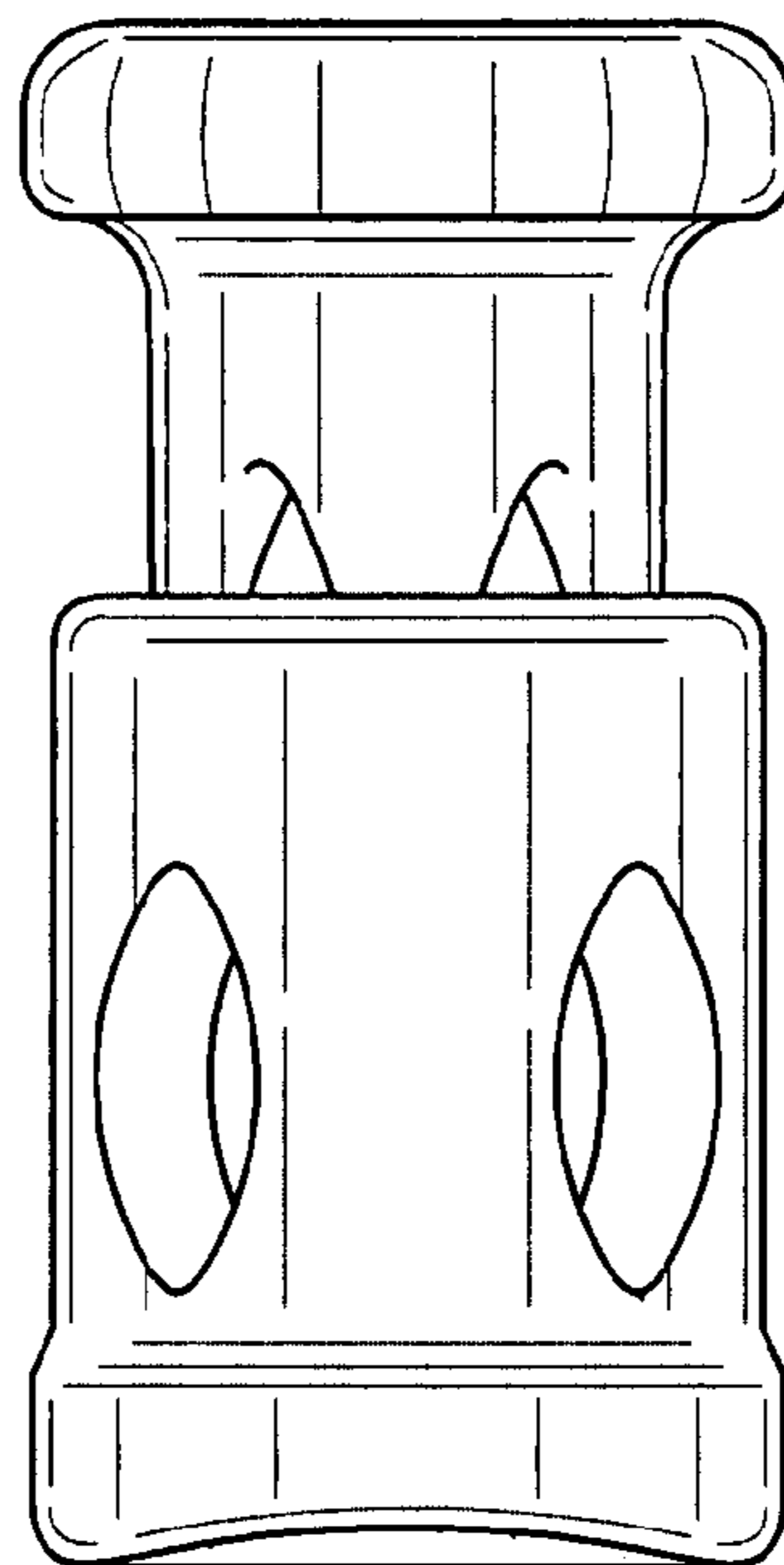


**FIG. 2**

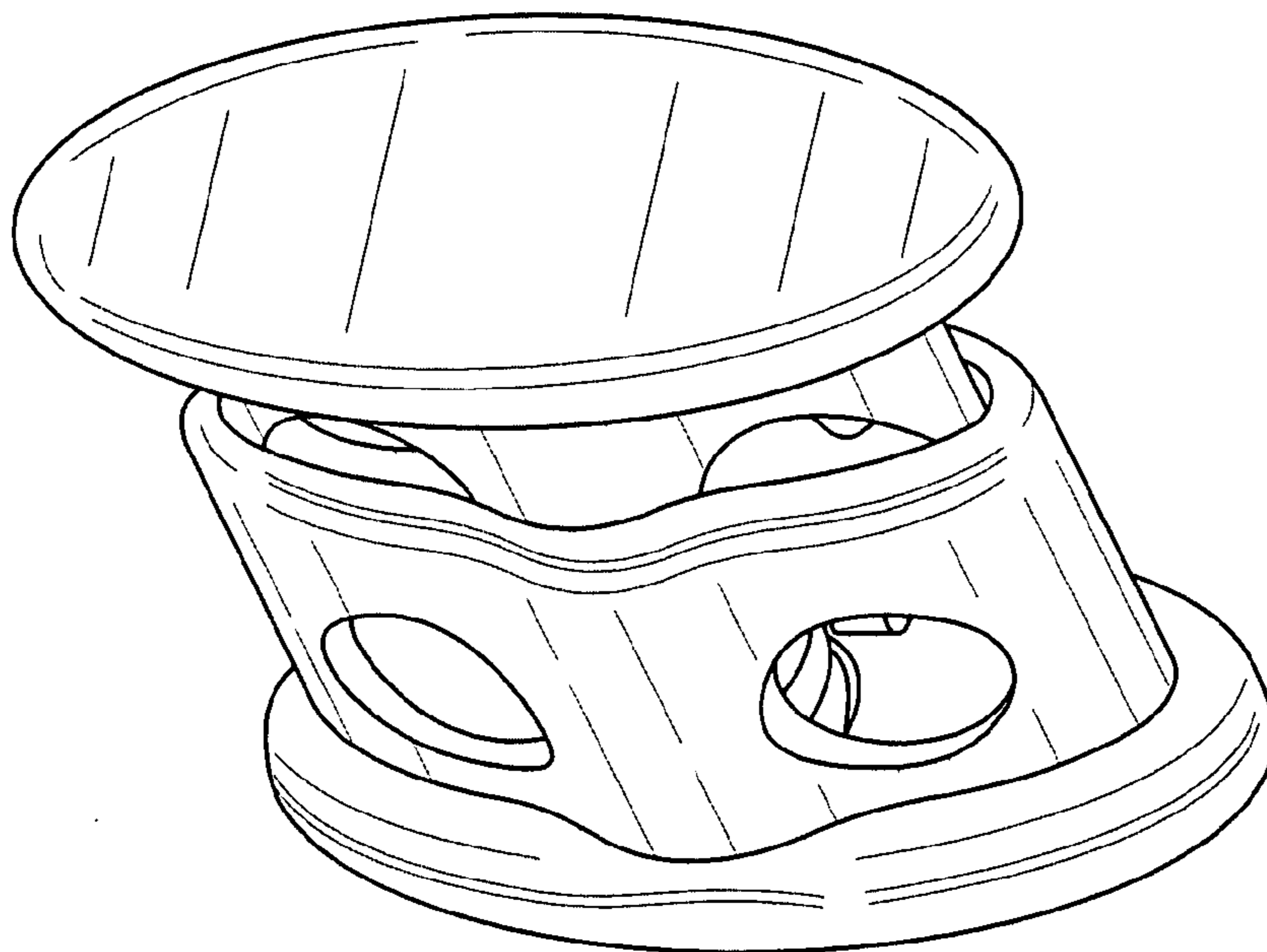


**FIG. 3**

**FIG. 4**



**FIG. 5**



**FIG. 6**

