



US00D560477S

(12) **United States Design Patent**
Yoshie et al.

(10) **Patent No.:** **US D560,477 S**
(45) **Date of Patent:** **** Jan. 29, 2008**

(54) **CORD STOPPER**
(75) Inventors: **Kenichi Yoshie**, Kurobe (JP); **Shin Yonamine**, Tokyo (JP)
(73) Assignee: **YKK Corporation**, Tokyo (JP)
(**) Term: **14 Years**
(21) Appl. No.: **29/263,323**
(22) Filed: **Jul. 20, 2006**
(30) **Foreign Application Priority Data**
Jan. 27, 2006 (JP) 2006-001714

6,339,865 B1 * 1/2002 Takahashi et al. 24/136 R
D454,777 S * 3/2002 Yoshiguchi D8/383
D465,408 S * 11/2002 Man et al. D8/395
D481,300 S * 10/2003 Nezu D8/383
D481,301 S * 10/2003 Nezu D8/383
D485,488 S * 1/2004 Tsukuda D8/383
D497,540 S * 10/2004 Watabe et al. D8/383
7,140,078 B2 * 11/2006 Watabe 24/115 G
D540,662 S * 4/2007 Pontaoe D8/383
D543,445 S * 5/2007 Latal et al. D8/383
D548,578 S * 8/2007 Wu D8/383
D549,087 S * 8/2007 Pontaoe et al. D8/383

(51) **LOC (8) Cl.** **08-08**
(52) **U.S. Cl.** **D8/383**
(58) **Field of Classification Search** D8/383,
D8/395, 356, 394; 24/115 G, 136 R, 115 M;
D11/215, 212; D2/978
See application file for complete search history.

FOREIGN PATENT DOCUMENTS

JP 1167573 3/2003

* cited by examiner

Primary Examiner—Sheryl Friedman
(74) *Attorney, Agent, or Firm*—Everest Intellectual Property Law Group; Michael S. Leonard

(56) **References Cited**
U.S. PATENT DOCUMENTS

4,622,723 A * 11/1986 Krauss 24/115 G
4,675,948 A * 6/1987 Bengtsson 24/115 G
4,839,946 A * 6/1989 Murai 24/115 G
D310,166 S * 8/1990 Fildan D8/383
D343,570 S * 1/1994 Meier D8/383
5,323,514 A * 6/1994 Masuda et al. 24/115 G
D367,222 S * 2/1996 Ikeda D8/383
D368,852 S * 4/1996 Ikeda D8/383
D373,076 S * 8/1996 Ikeda D8/383
5,621,952 A * 4/1997 Frano 24/115 G
5,671,505 A * 9/1997 Anscher 24/115 G
5,737,808 A * 4/1998 Ikeda 24/115 G
D399,045 S * 10/1998 Liston D2/978
D402,190 S * 12/1998 Anscher D8/383
D417,388 S * 12/1999 Kawahara D8/383
6,018,851 A * 2/2000 Anscher 24/115 G
6,038,746 A * 3/2000 Anscher et al. 24/115 G
D430,484 S * 9/2000 Ikeda D8/383
D439,148 S * 3/2001 Ishii D8/383
D439,507 S * 3/2001 Ikeda D8/383
D451,005 S * 11/2001 Murata D8/383
6,334,240 B1 * 1/2002 Li 24/136 R

(57) **CLAIM**

The ornamental design for a cord stopper, as shown and described.

DESCRIPTION

FIG. 1 is a front view of a cord stopper of the claimed design.
FIG. 2 is a rear view of the cord stopper of FIG. 1.
FIG. 3 is a plan view of the cord stopper of FIG. 1.
FIG. 4 is a base view of the cord stopper of FIG. 1.
FIG. 5 is a right side view of the cord stopper of FIG. 1.
FIG. 6 is a perspective view of the cord stopper of FIG. 1; and,
FIG. 7 is a perspective reference view of the cord stopper of FIG. 1, showing it in use.
The broken line showing of the cord is included for the purpose of illustrating environment and forms no part of the claimed design.

1 Claim, 4 Drawing Sheets

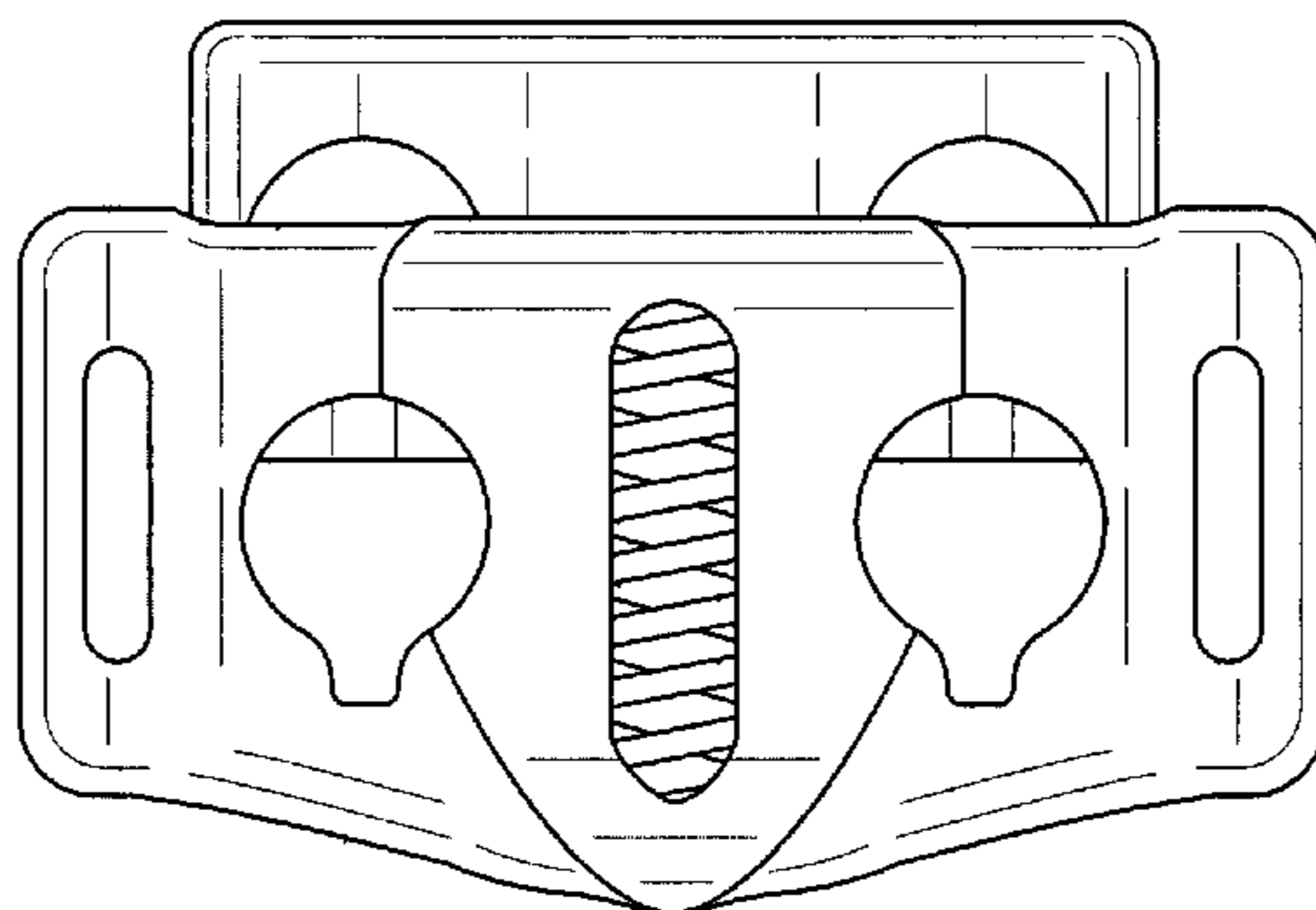


FIG. 1

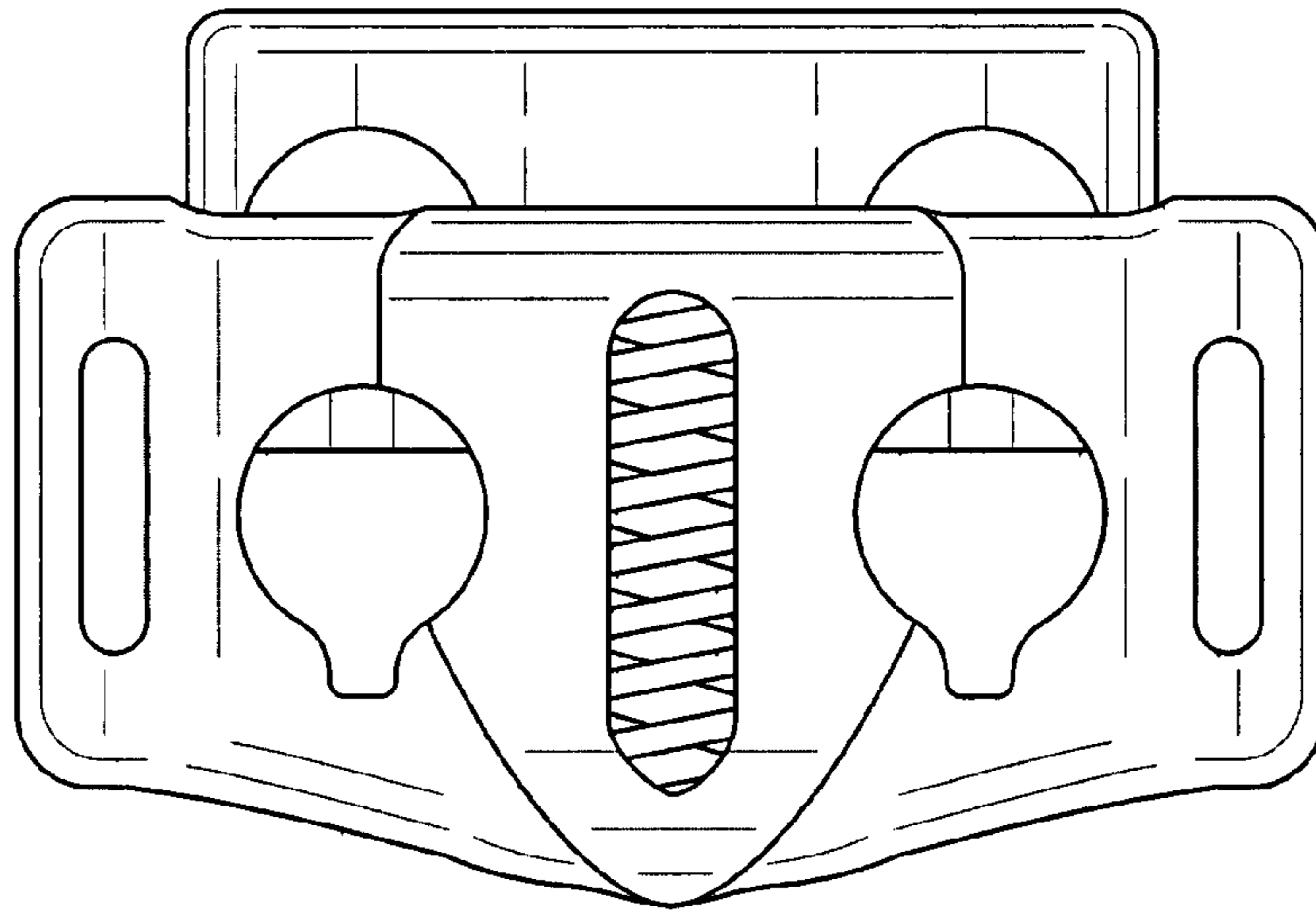


FIG. 2

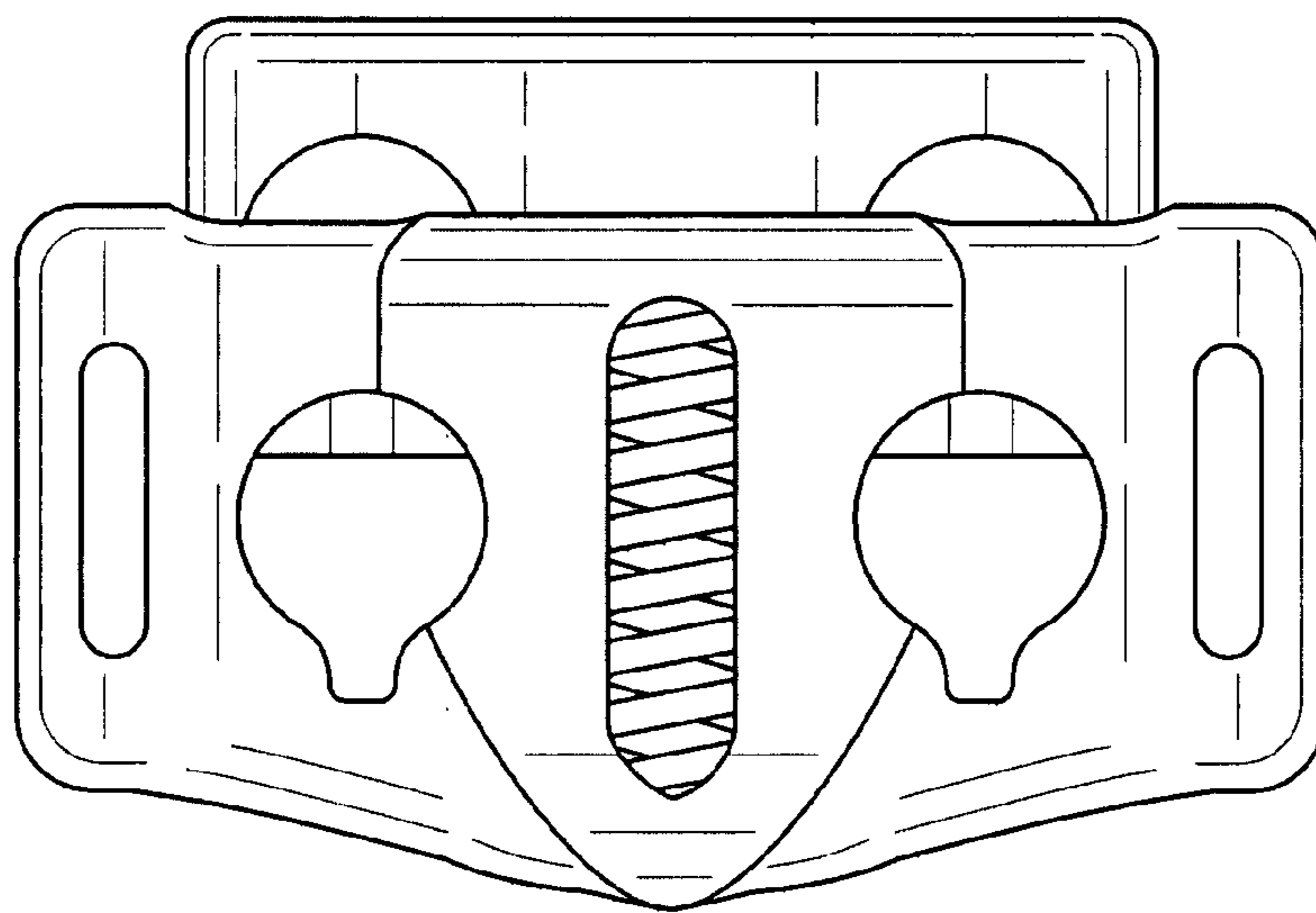


FIG. 3

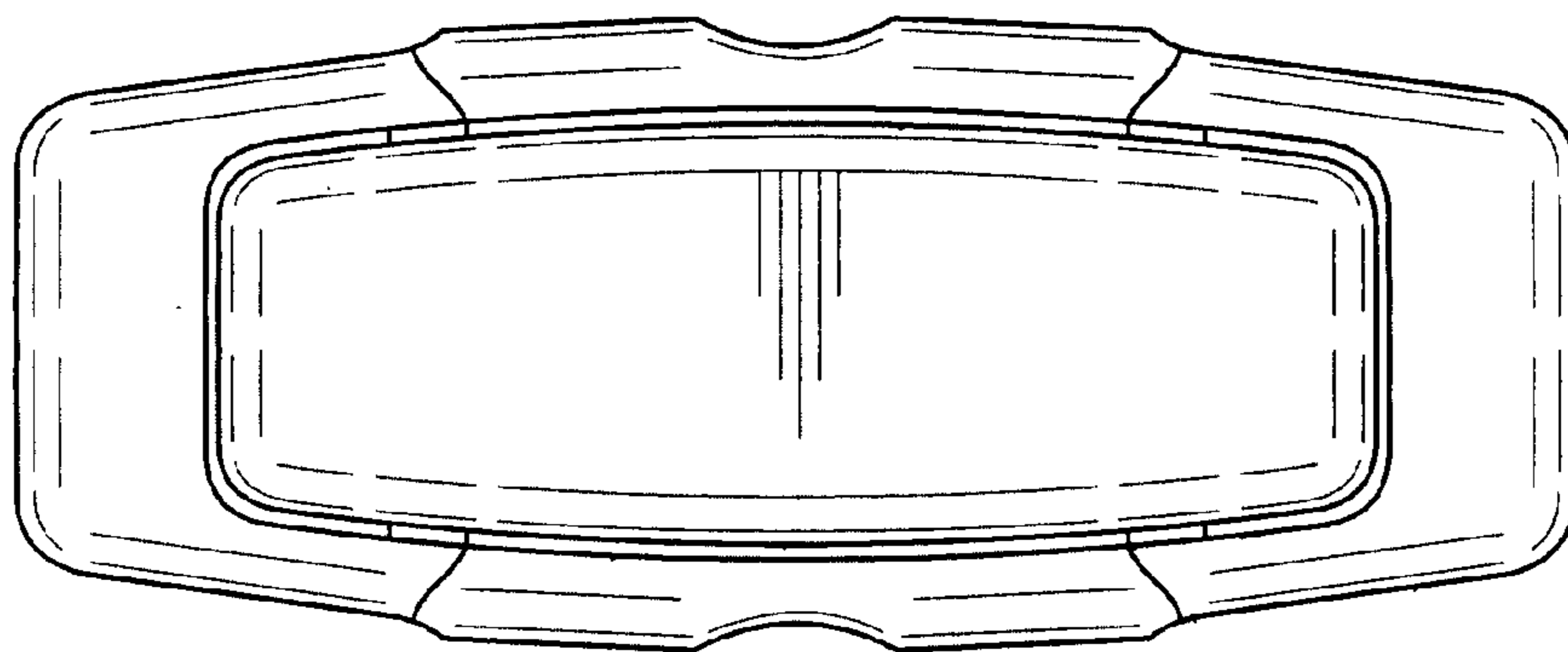


FIG. 4

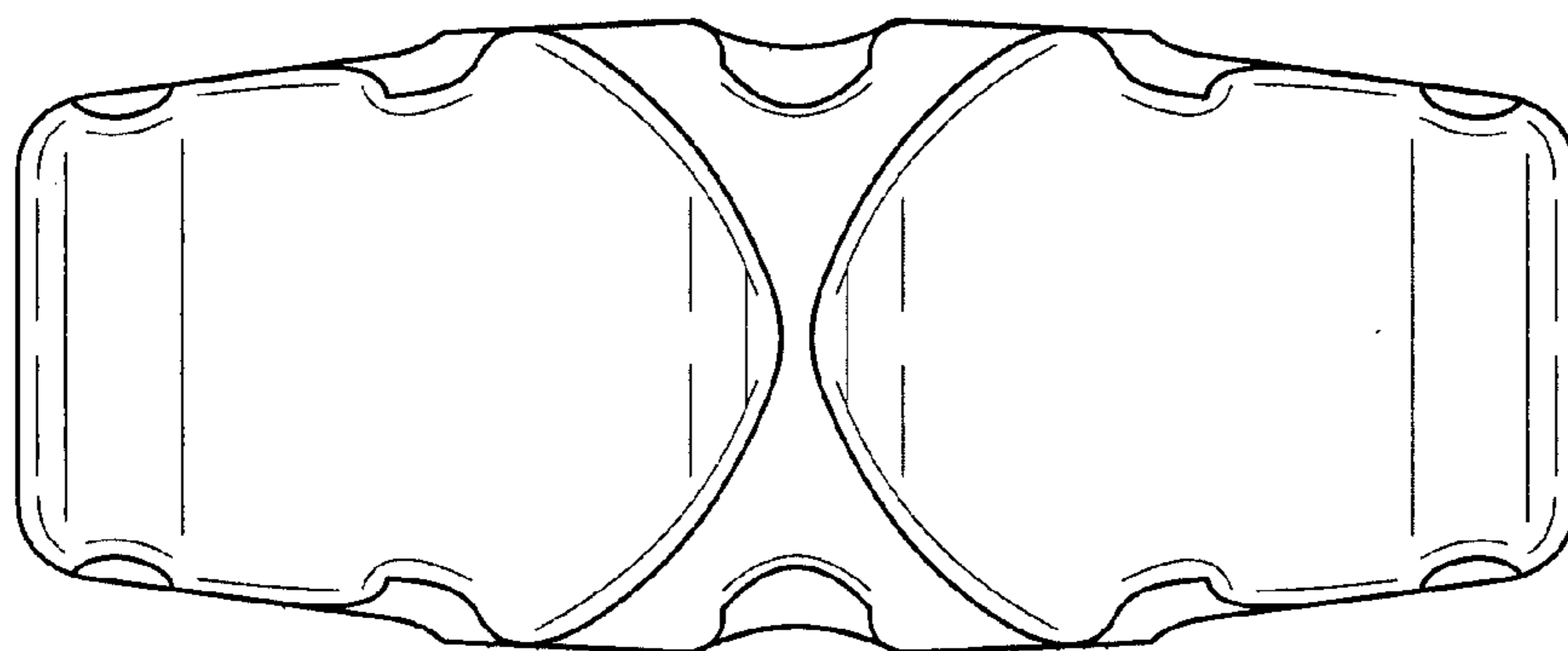


FIG. 5

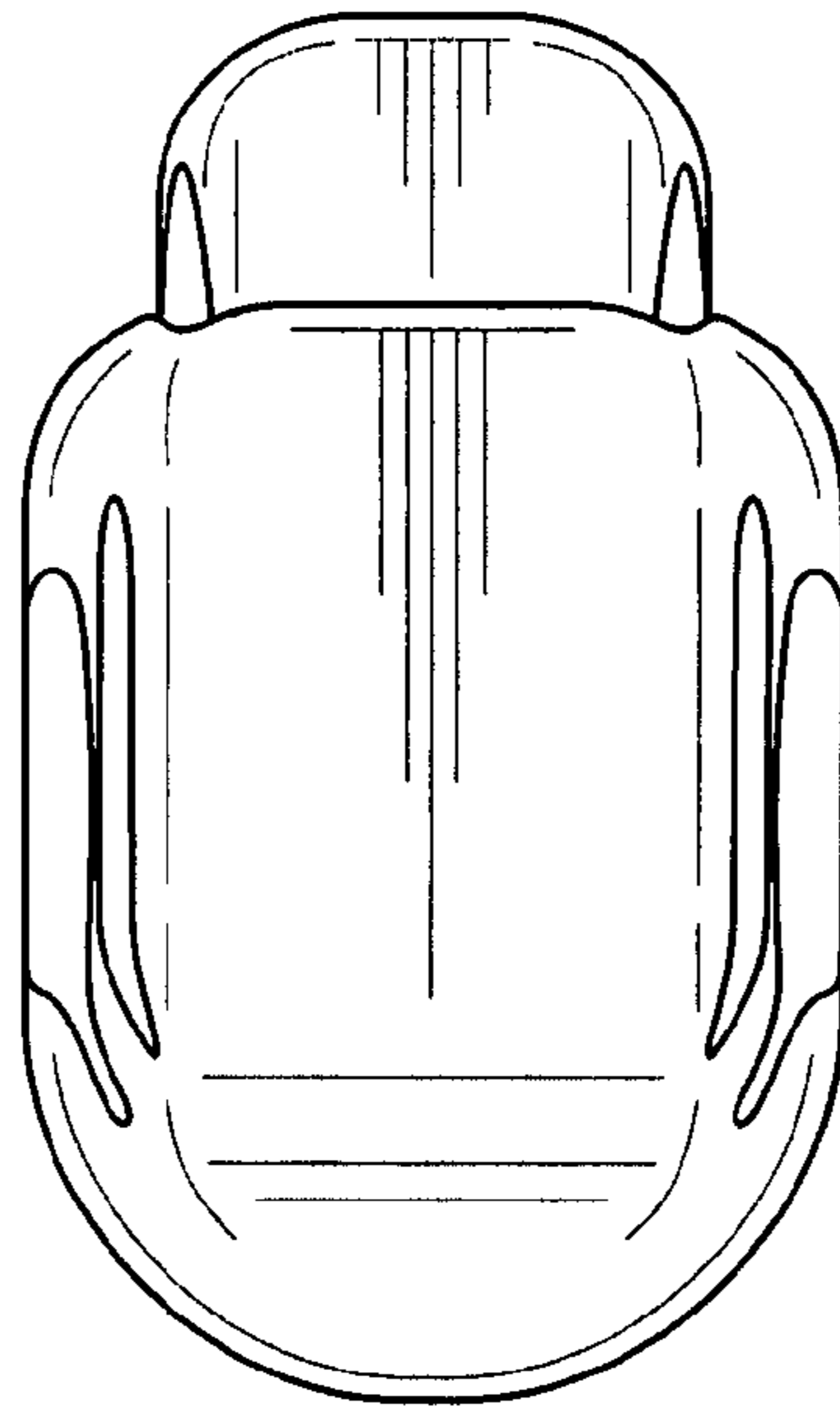


FIG. 6

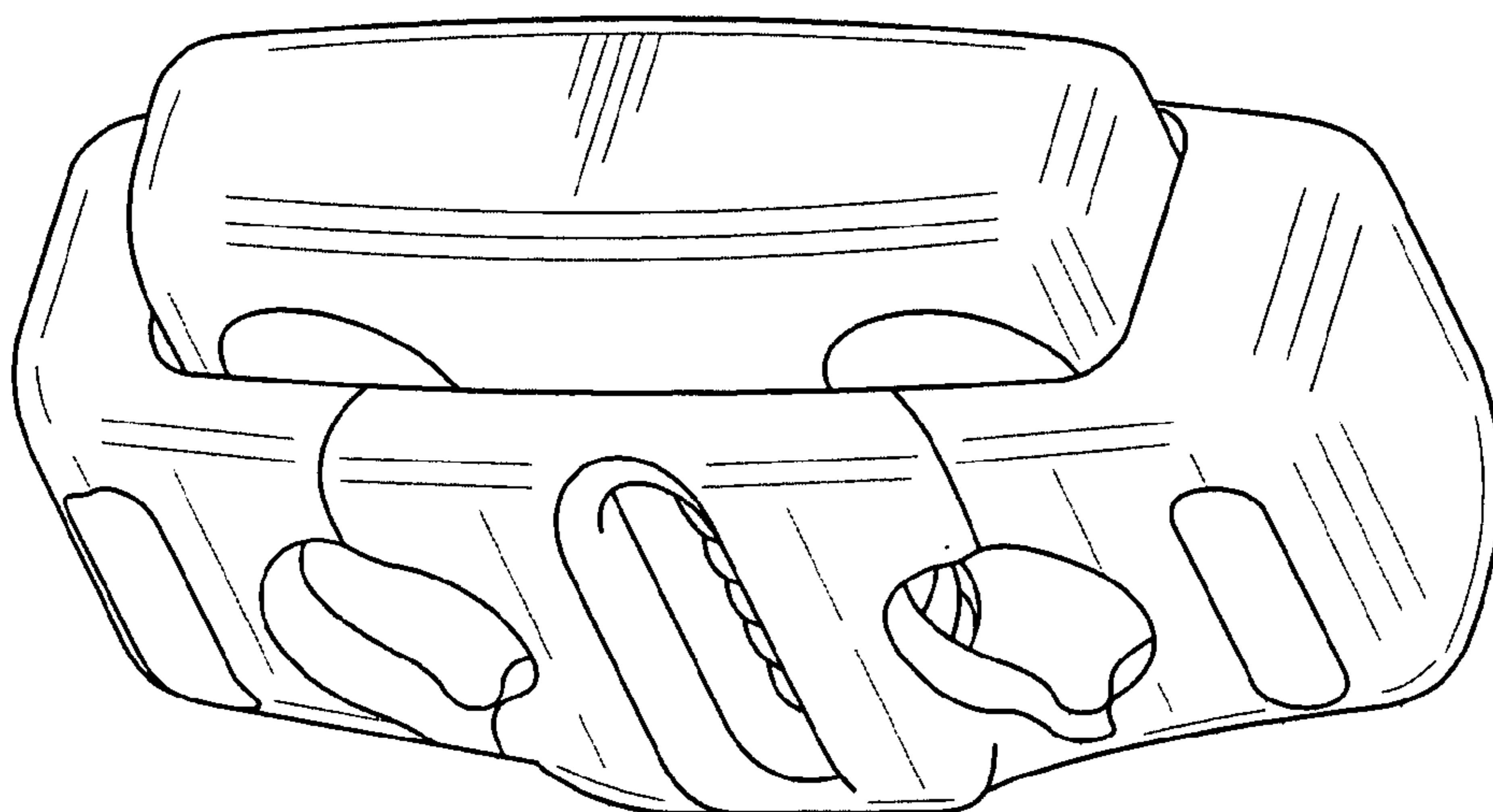


FIG. 7

