



US00D560476S

(12) **United States Design Patent** (10) **Patent No.:** **US D560,476 S**
Jones et al. (45) **Date of Patent:** **** Jan. 29, 2008**

(54) **CONNECTOR FOR BALUSTRADES** D534,792 S * 1/2007 Cooper D8/382

(75) Inventors: **Anthony Trevor Jones**, Shropshire (GB); **Paul Hughes**, Powys (GB)

(73) Assignee: **Richard Burbidge Limited** (GB)

(**) Term: **14 Years**

(21) Appl. No.: **29/245,711**

(22) Filed: **Dec. 28, 2005**

(30) **Foreign Application Priority Data**

Jun. 29, 2005 (EM) 000364138

(51) **LOC (8) Cl.** **08-08**

(52) **U.S. Cl.** **D8/382**

(58) **Field of Classification Search** 403/199,
403/235; D25/133; D8/382
See application file for complete search history.

(56) **References Cited**

U.S. PATENT DOCUMENTS

1,822,389	A *	9/1931	Blakely	403/199
3,648,982	A	3/1972	Sabel et al.		
3,704,005	A	11/1972	Kusel		
3,858,850	A	1/1975	Maxcy et al.		
5,028,161	A *	7/1991	Peleg	403/24
D374,607	S *	10/1996	Shoda	D8/382
D416,474	S *	11/1999	Wang	D8/382
D420,279	S *	2/2000	Wang	D8/382
D420,280	S *	2/2000	Wang	D8/382
D420,894	S *	2/2000	Wang	D8/382
D485,159	S *	1/2004	Junkers	D8/382
D495,434	S *	8/2004	Cooper	D25/133

FOREIGN PATENT DOCUMENTS

DE	26 00 057	A1	7/1977
DE	94 19 943		3/1995
EP	0 251 826	A2	1/1988
EP	0 495 577	A1	7/1992
EP	1 335 081	A2	8/2003
FR	2 738 862	A1	3/1997
GB	2 299 370	A	10/1996
WO	WO 94/04860		3/1994

* cited by examiner

Primary Examiner—Holly H. Baynham

Assistant Examiner—Sheryl Friedman

(74) *Attorney, Agent, or Firm*—Caesar, Rivise, Bernstein, Cohen & Pokotilow, Ltd.

(57) **CLAIM**

The ornamental design for a connector for balustrades, as shown and described.

DESCRIPTION

FIG. 1 is a perspective view from above of a connector for balustrades showing our new design;

FIG. 2 is a first side elevational view thereof;

FIG. 3 is a second side elevational view thereof;

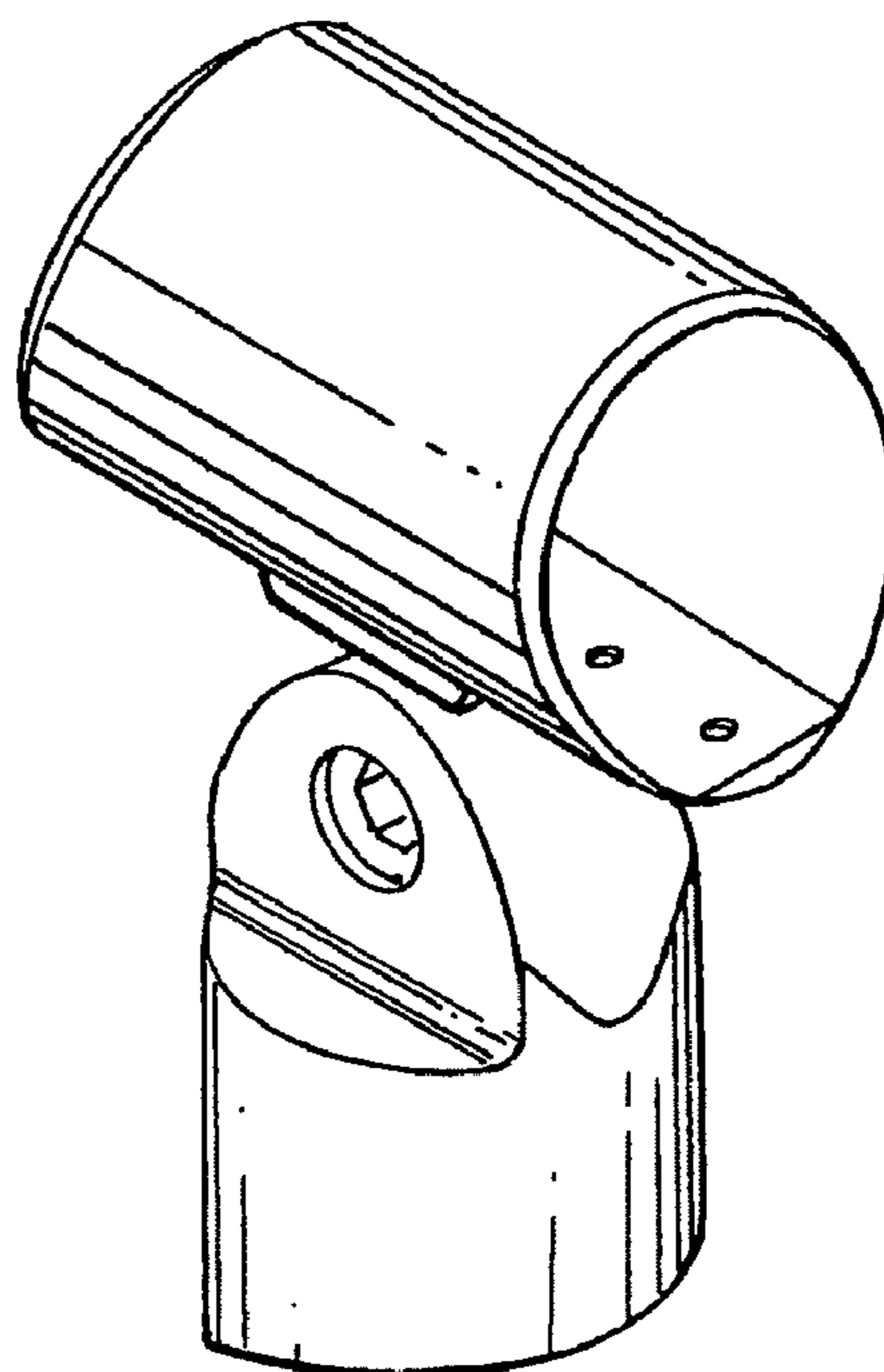
FIG. 4 is a top plan view thereof;

FIG. 5 is a bottom plan view thereof;

FIG. 6 is a first end elevational view thereof; and,

FIG. 7 is a second end elevational view thereof.

1 Claim, 3 Drawing Sheets



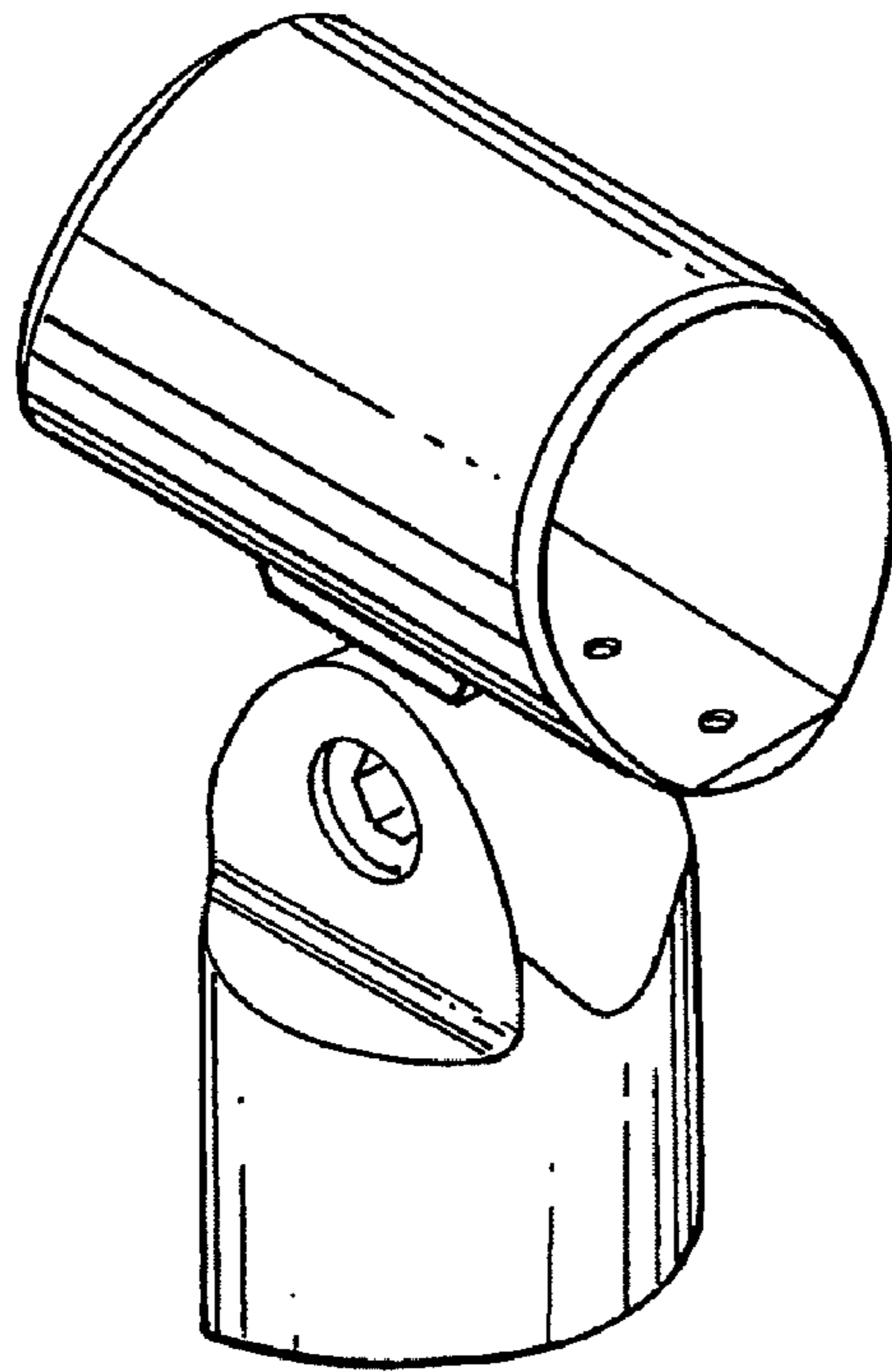


FIG. 1

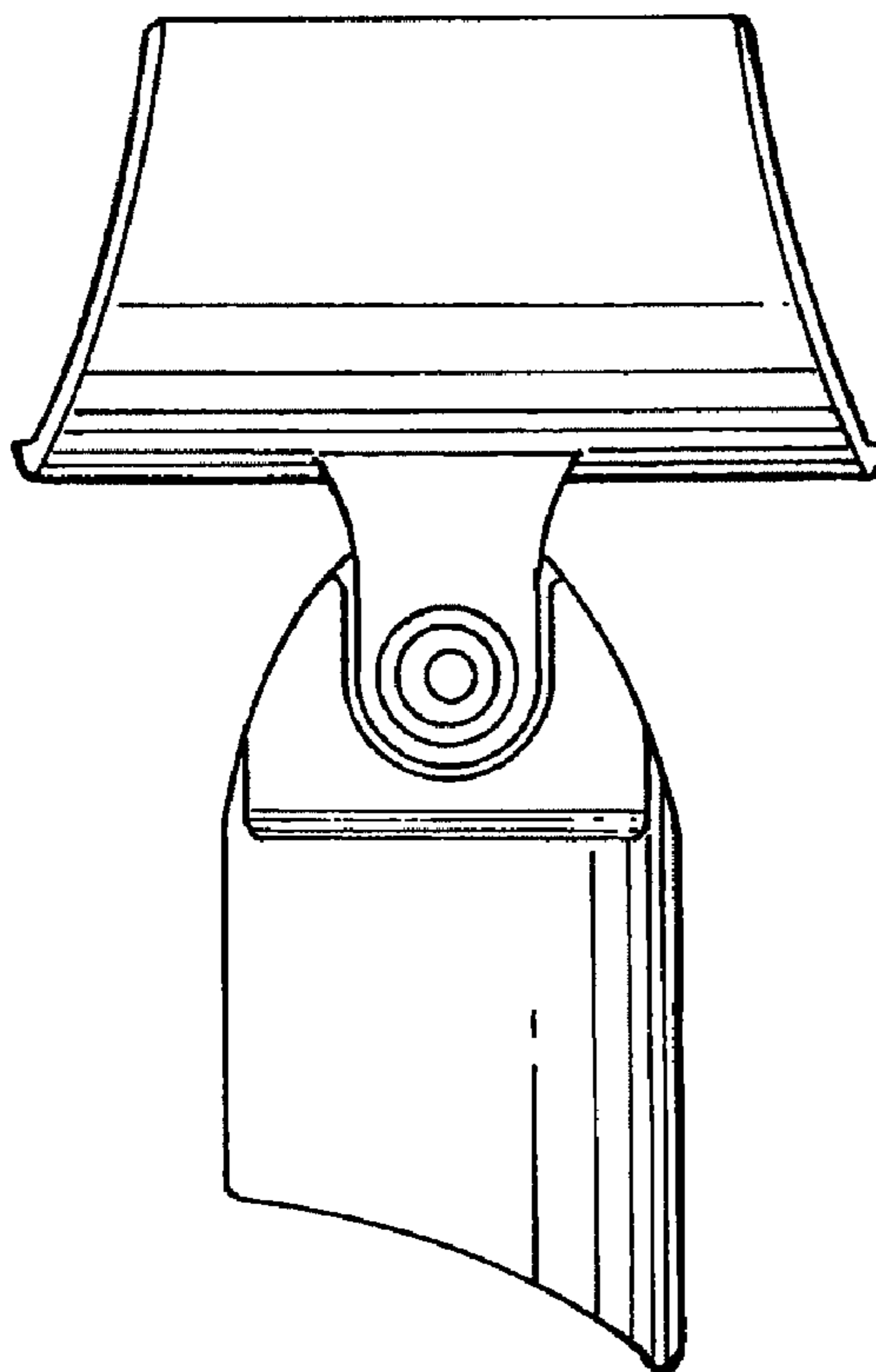


FIG. 2

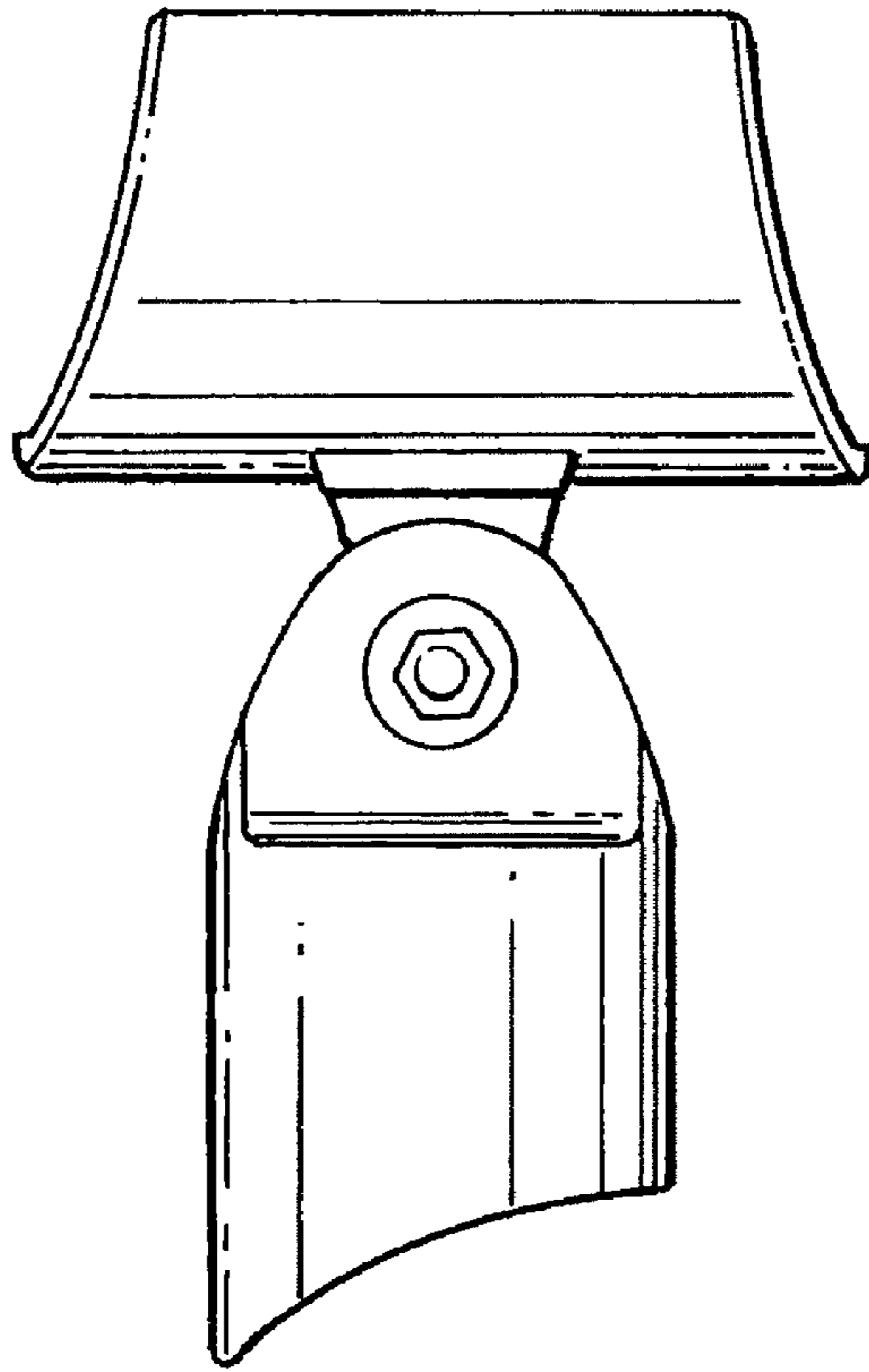


FIG. 3

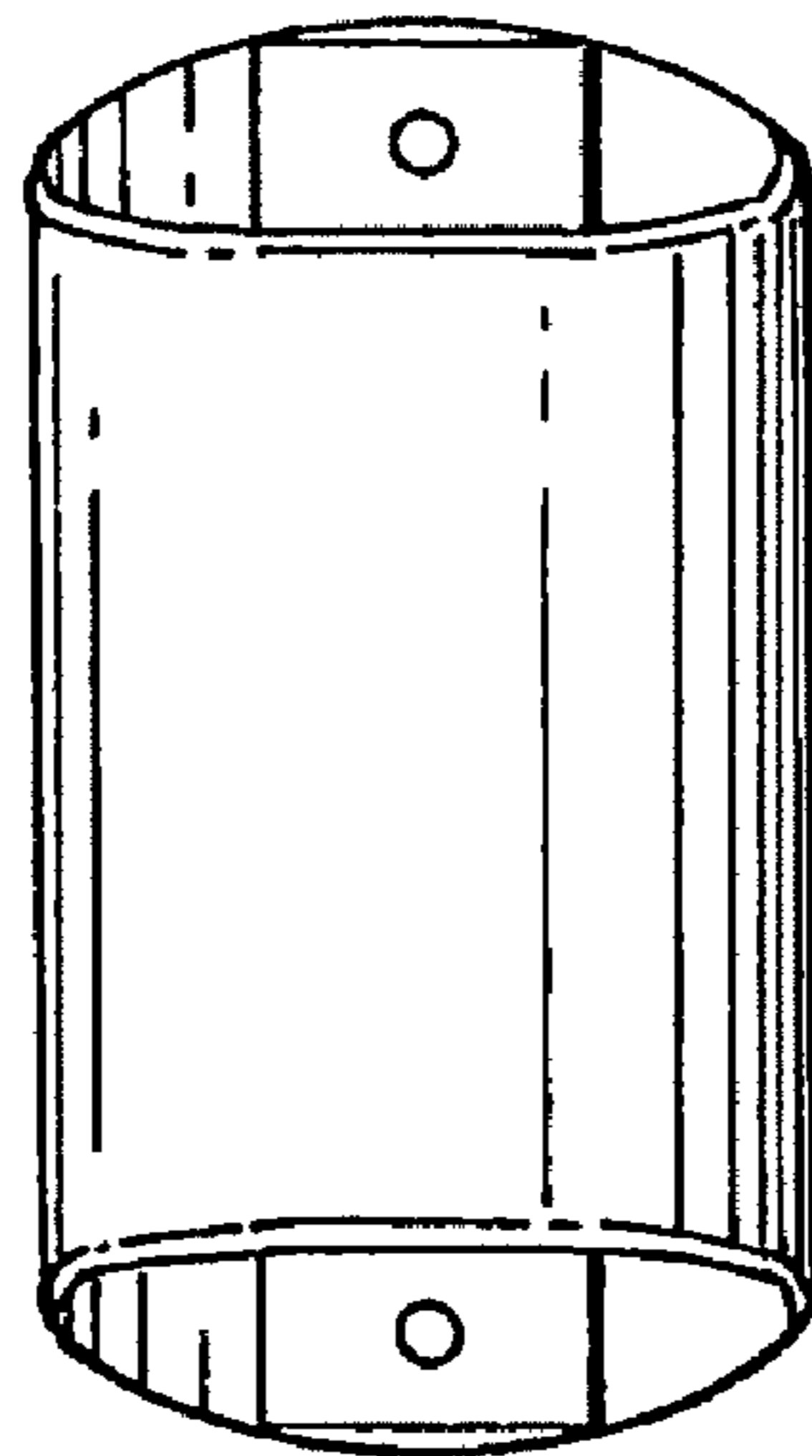


FIG. 4

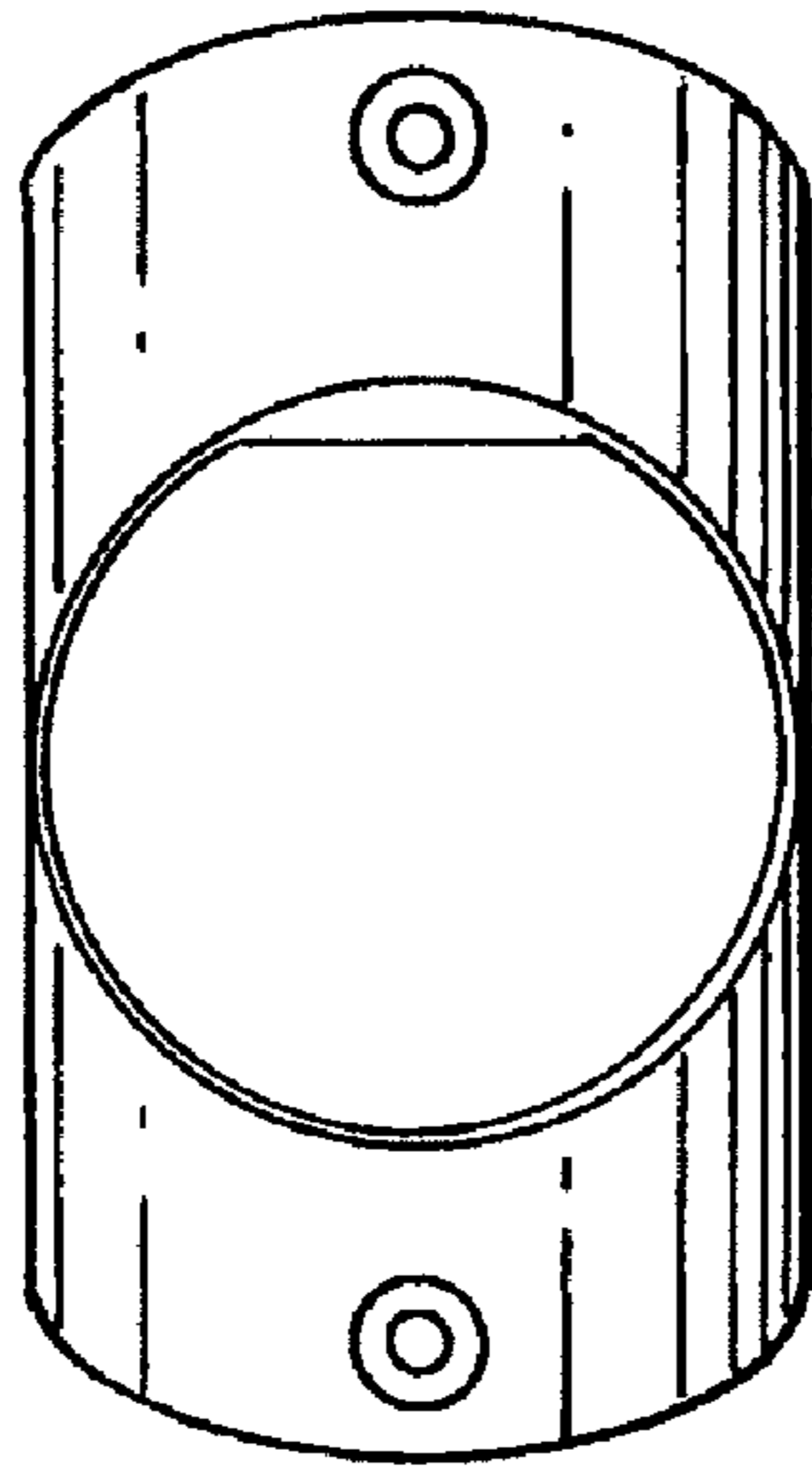


FIG. 5

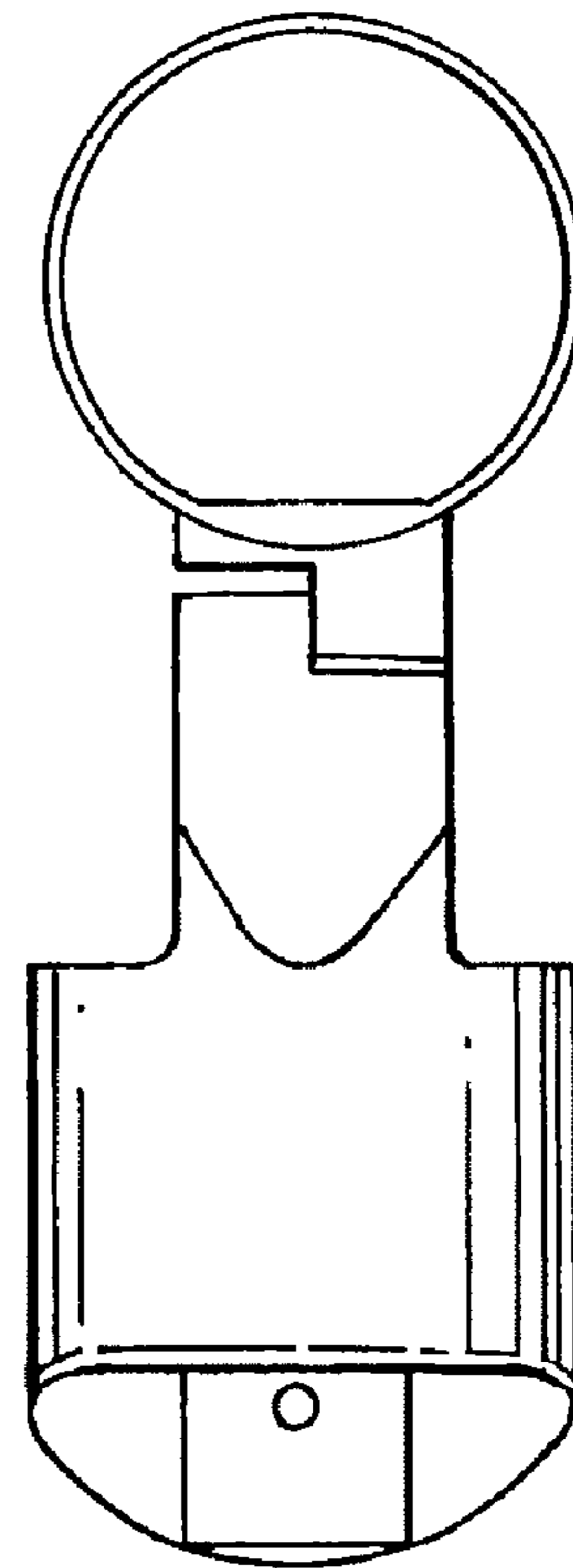


FIG. 6

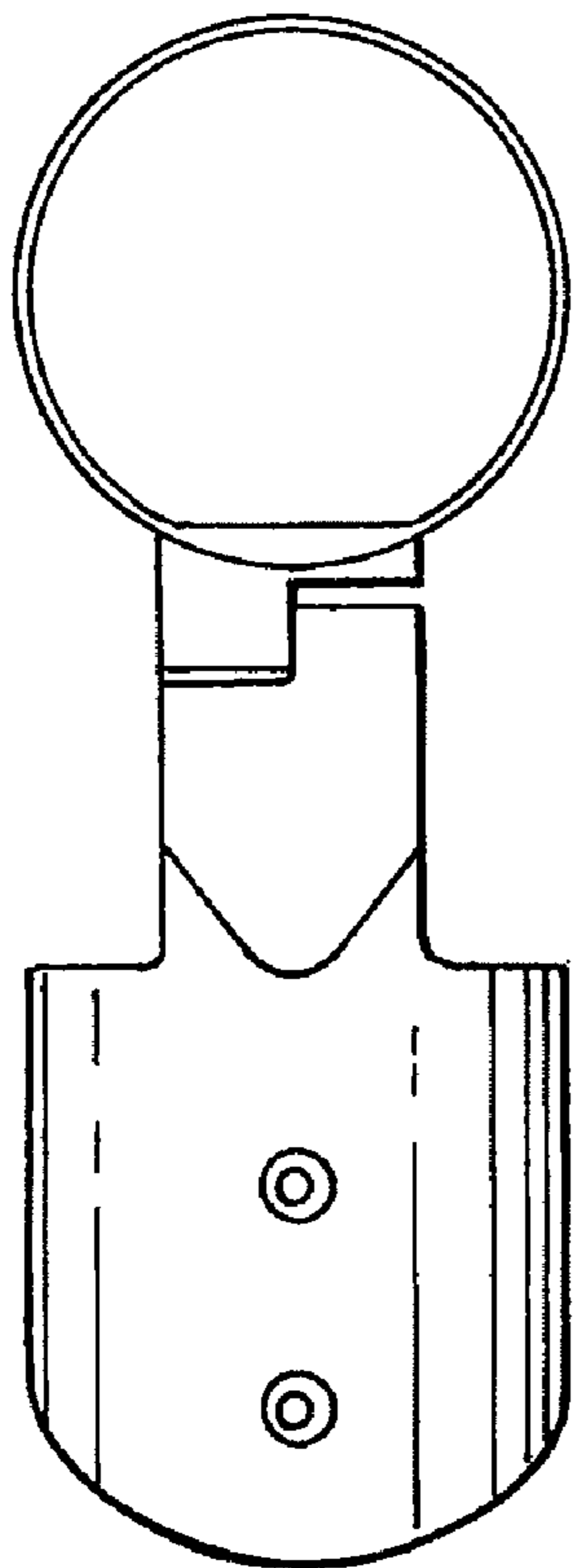


FIG. 7