



US00D560475S

(12) **United States Design Patent**
Lopes Praca

(10) **Patent No.: US D560,475 S**
(45) **Date of Patent: ** Jan. 29, 2008**

(54) **ROPE FASTENING AND TENSIONING DEVICE**

2006/0054070 A1* 3/2006 Lopes Praca 114/218

* cited by examiner

(76) Inventor: **Miguel Martinho Lopes Praca**, 1119
San Anselmo Ave., San Anselmo, CA
(US) 94941

Primary Examiner—Holly H. Baynham
Assistant Examiner—Sheryl Friedman

(**) Term: **14 Years**

(57) **CLAIM**

(21) Appl. No.: **29/238,239**

I claim the ornamental design for a rope fastening and tensioning device, as shown and described.

(22) Filed: **Sep. 12, 2005**

DESCRIPTION

Related U.S. Application Data

(63) Continuation-in-part of application No. 11/209,381,
filed on Aug. 22, 2005.

FIG. 1 is a perspective view of the rope fastening and tensioning device viewed from the bottom and the left;

(51) **LOC (8) Cl.** **08-08**

(52) **U.S. Cl.** **D8/382**

FIG. 2 is a front view of the rope fastening and tensioning device of FIG. 1;

(58) **Field of Classification Search** D8/382,
D8/356, 14, 44; D12/223; 114/218
See application file for complete search history.

FIG. 3 is a rear view of the rope fastening and tensioning device of FIG. 1;

(56) **References Cited**

U.S. PATENT DOCUMENTS

D247,364 S *	2/1978	Schulz	D8/356
D253,161 S *	10/1979	Lindsay	D8/356
D255,419 S *	6/1980	Hume	D8/382
4,344,378 A *	8/1982	Martin	114/218
D300,721 S *	4/1989	Whitley, II	D8/356
D301,683 S *	6/1989	Whitley, II	D8/356
6,009,824 A *	1/2000	Ross	114/218
7,131,387 B1 *	11/2006	Czipri	114/218
D533,442 S *	12/2006	Baylor	D8/356

FIG. 4 is a right side view of the rope fastening and tensioning device of FIG. 1;

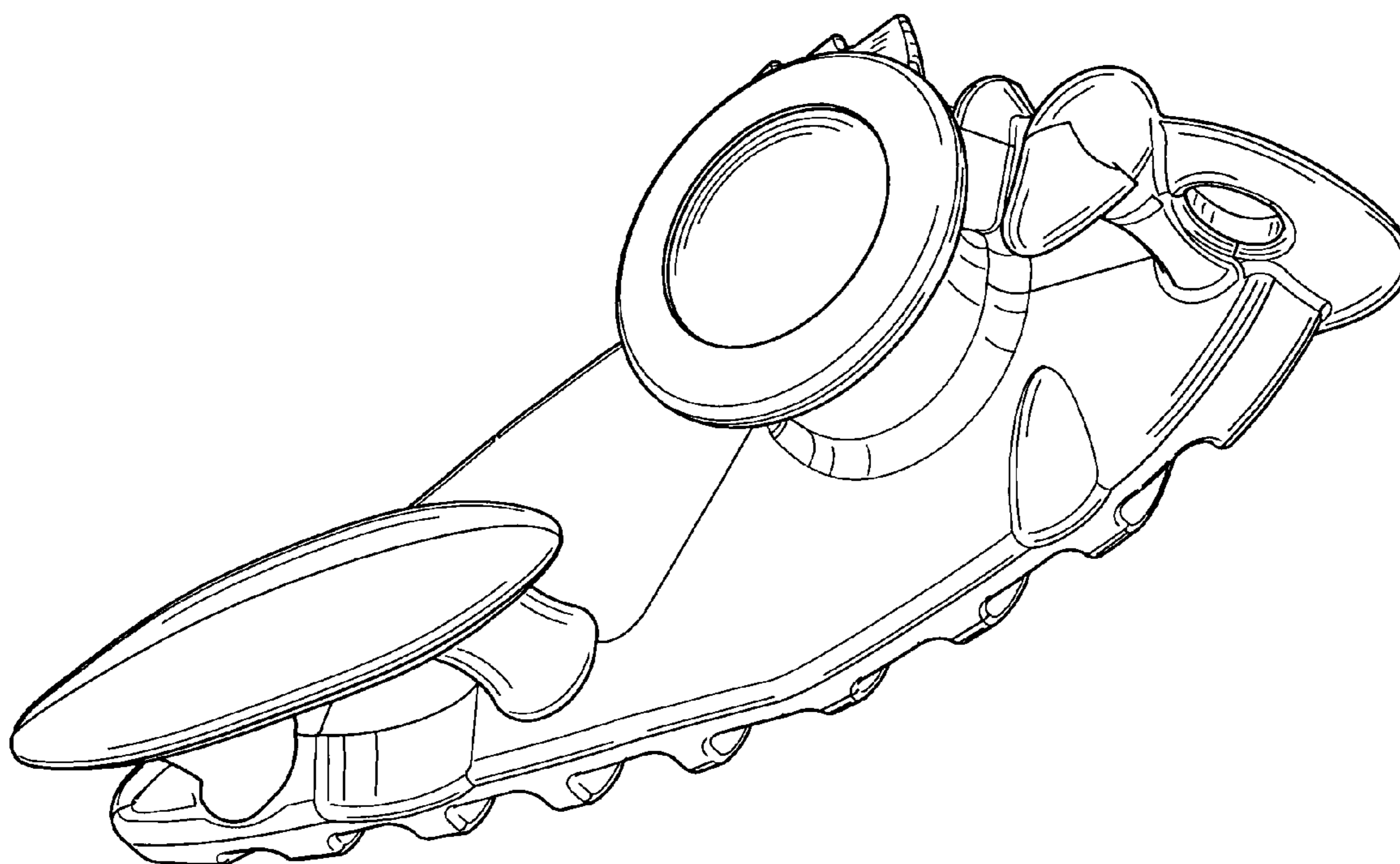
FIG. 5 is a left side view of die rope fastening and tensioning device of FIG. 1;

FIG. 6 is a top plan view of the rope fastening and tensioning device of FIG. 1;

FIG. 7 is a bottom plan view of the rope fastening and tensioning device of FIG. 1; and,

FIG. 8 is another perspective view of the rope fastening and tensioning device of FIG. 1 viewed from the top and the right.

1 Claim, 4 Drawing Sheets



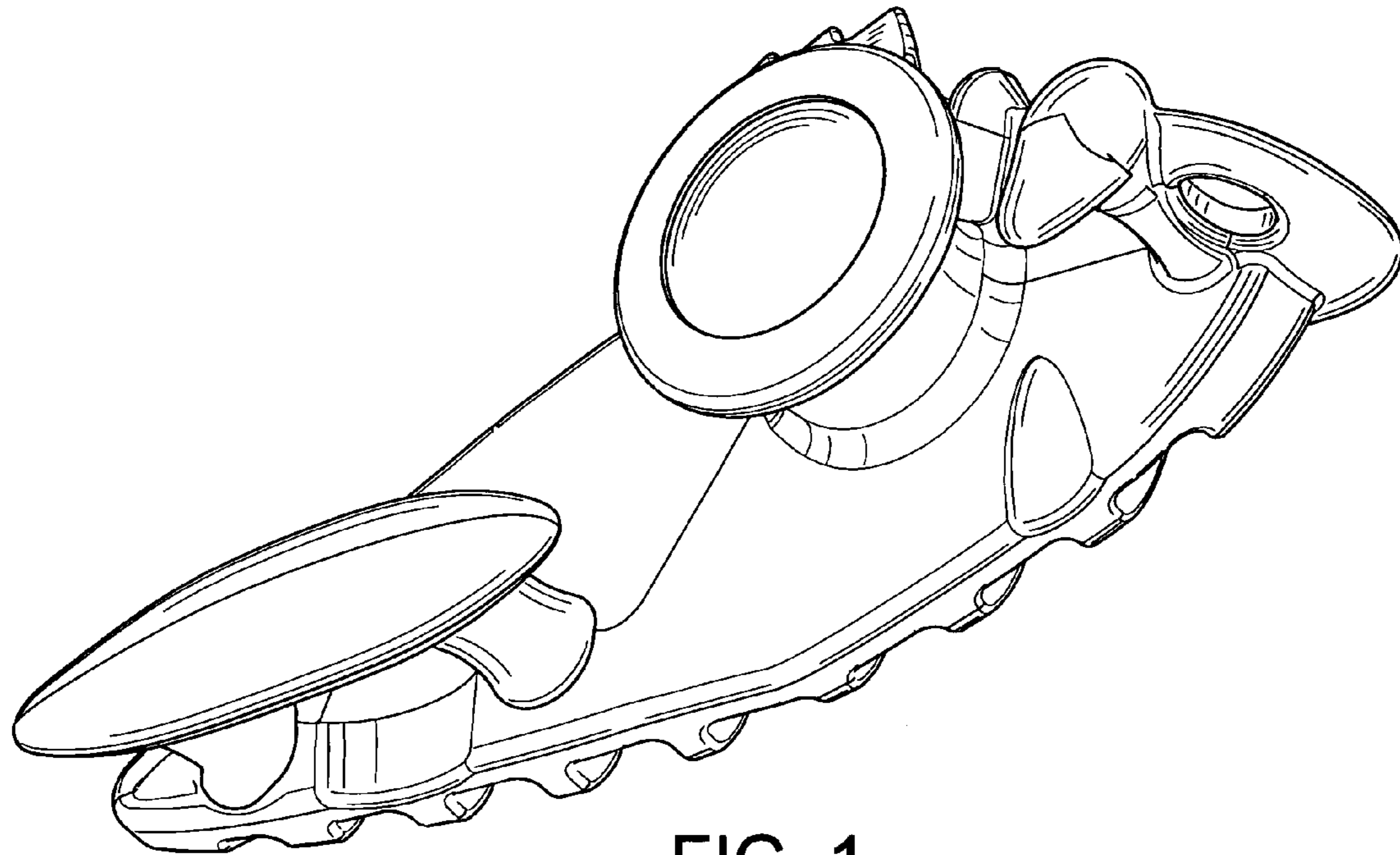


FIG. 1

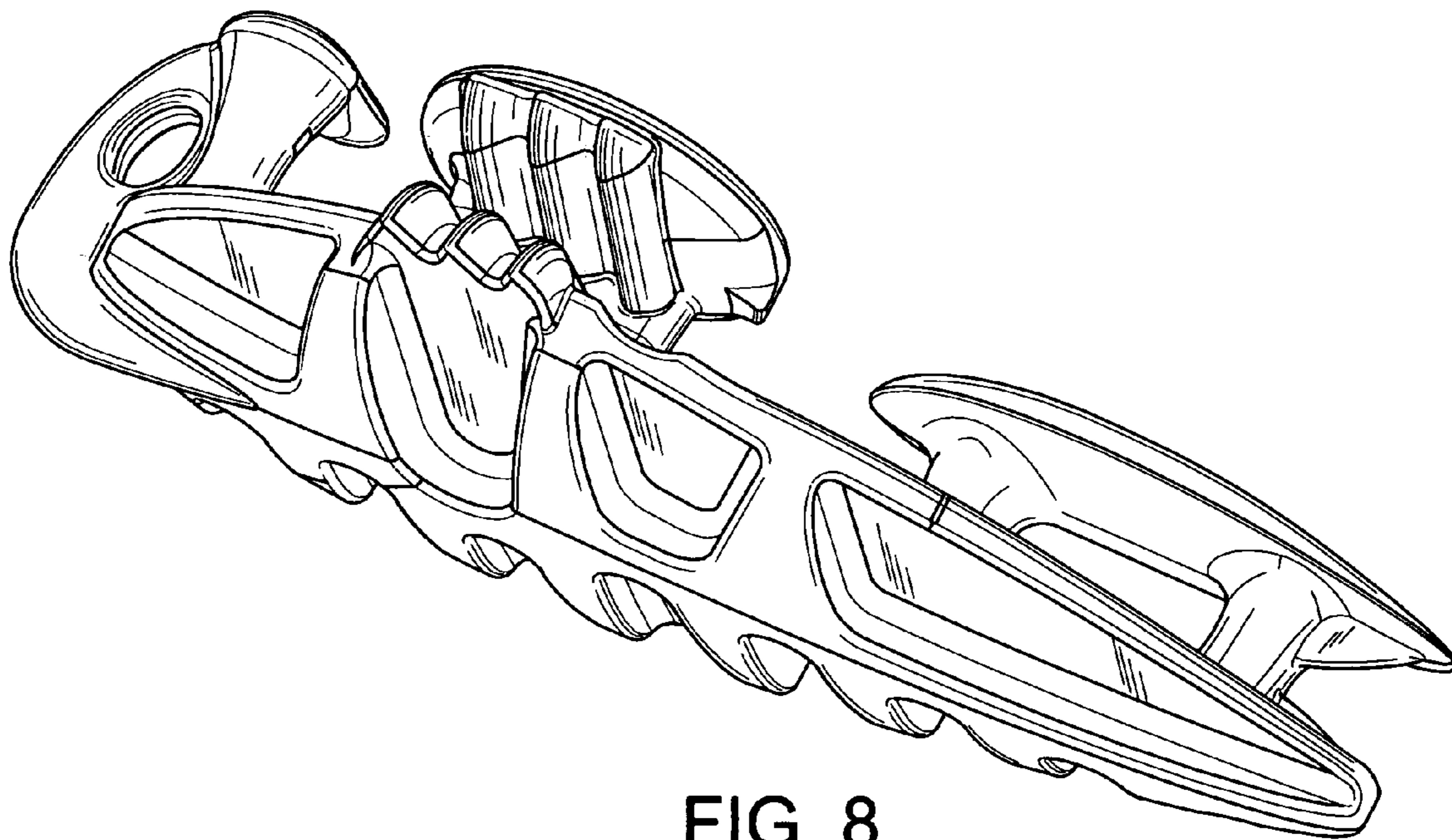


FIG. 8

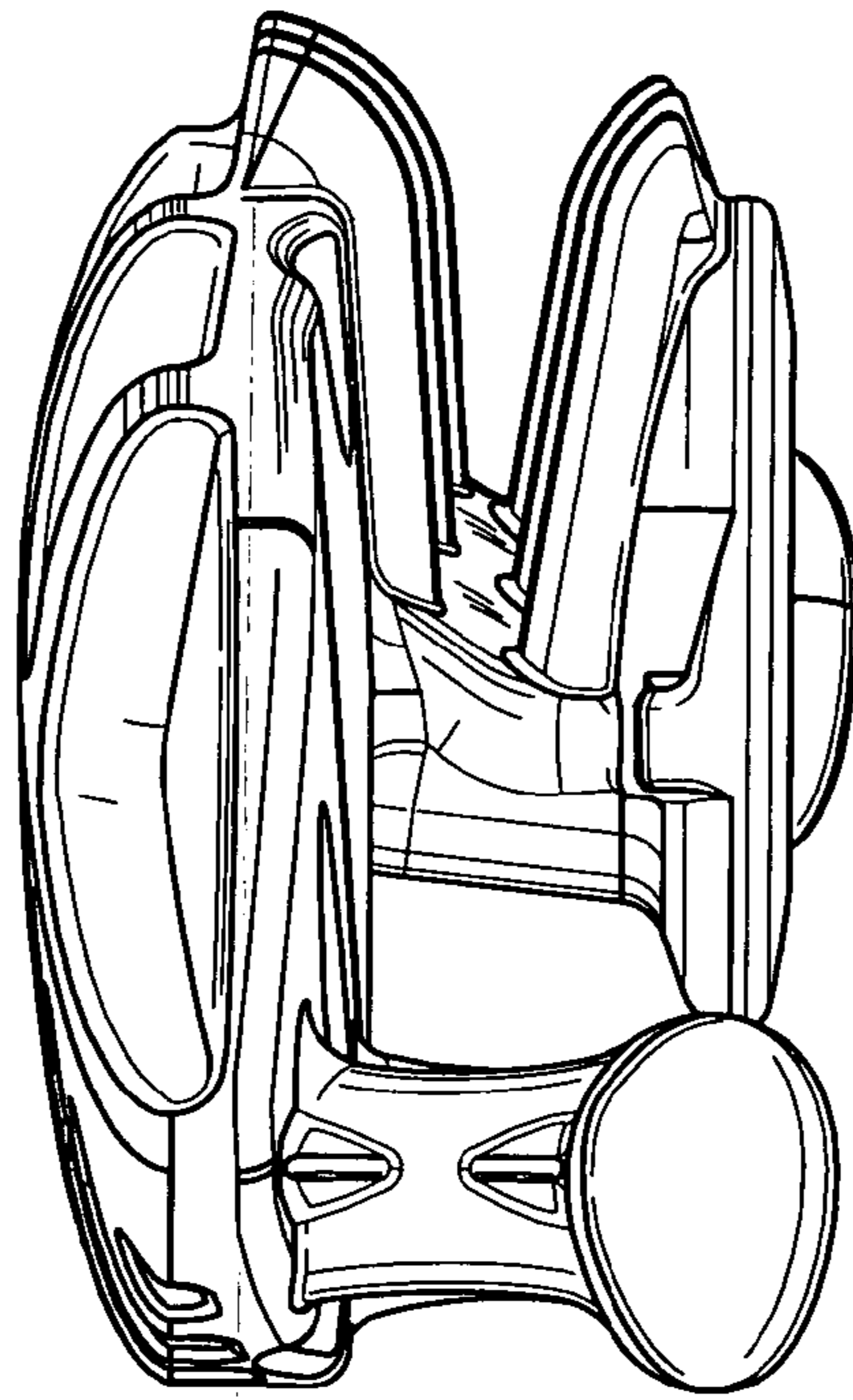


FIG. 2

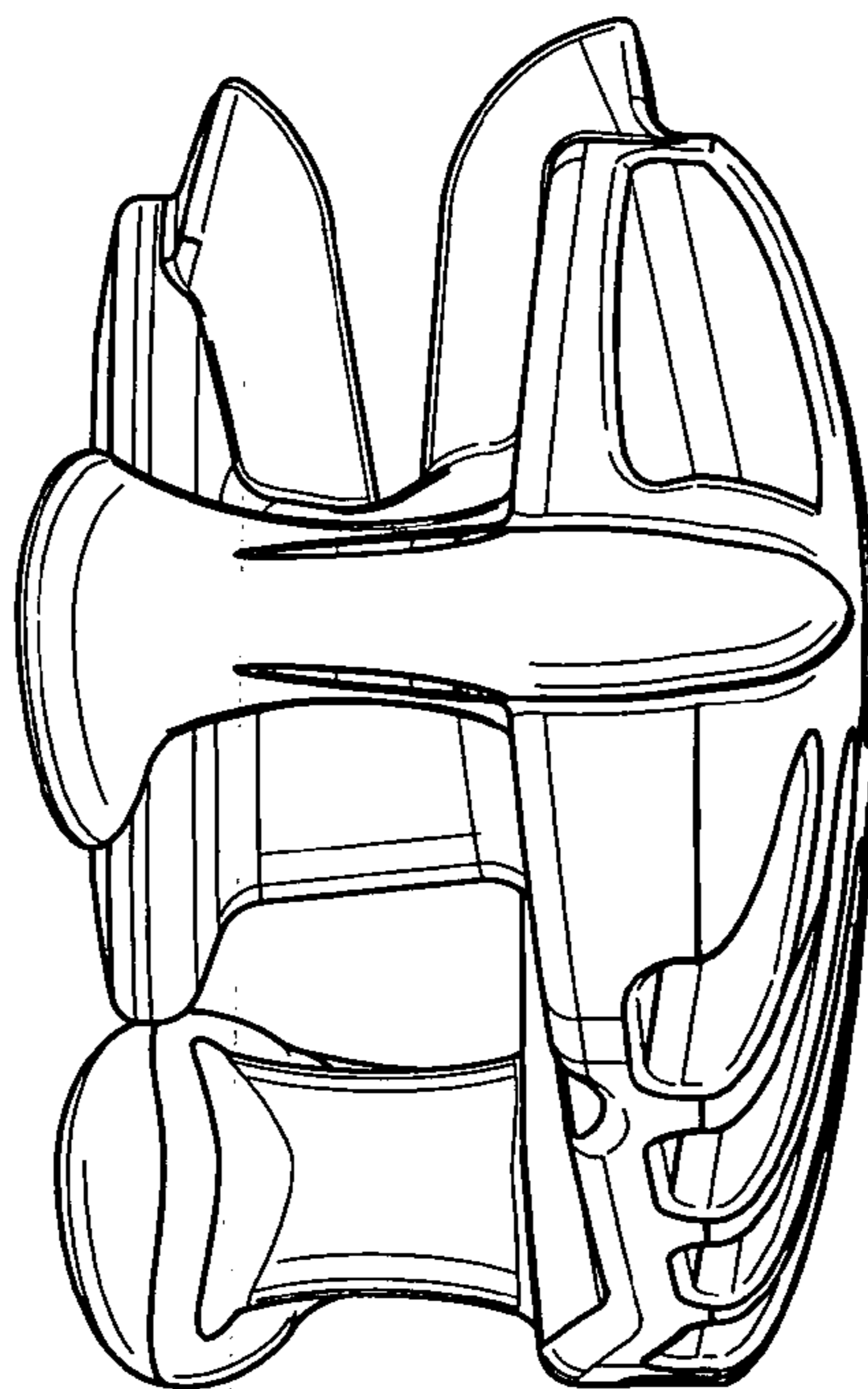


FIG. 3

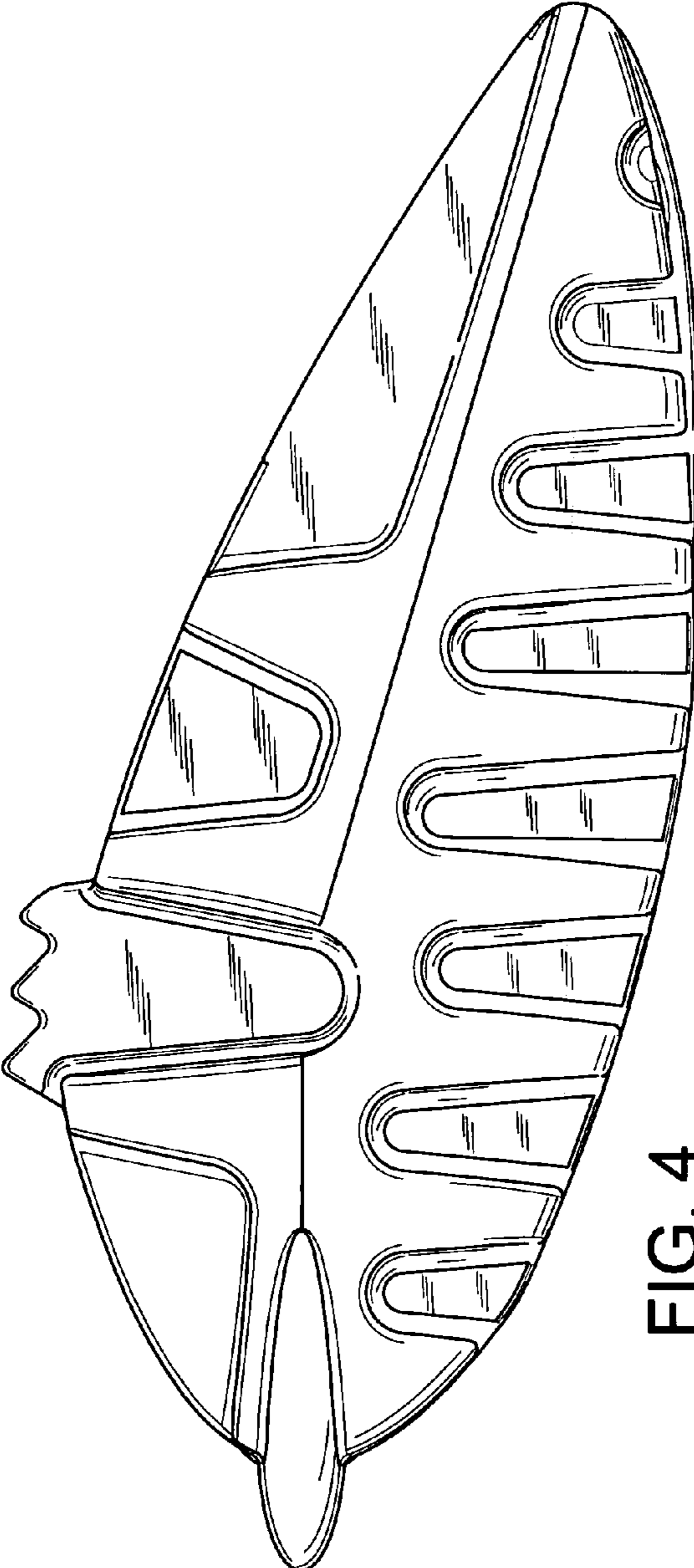


FIG. 4

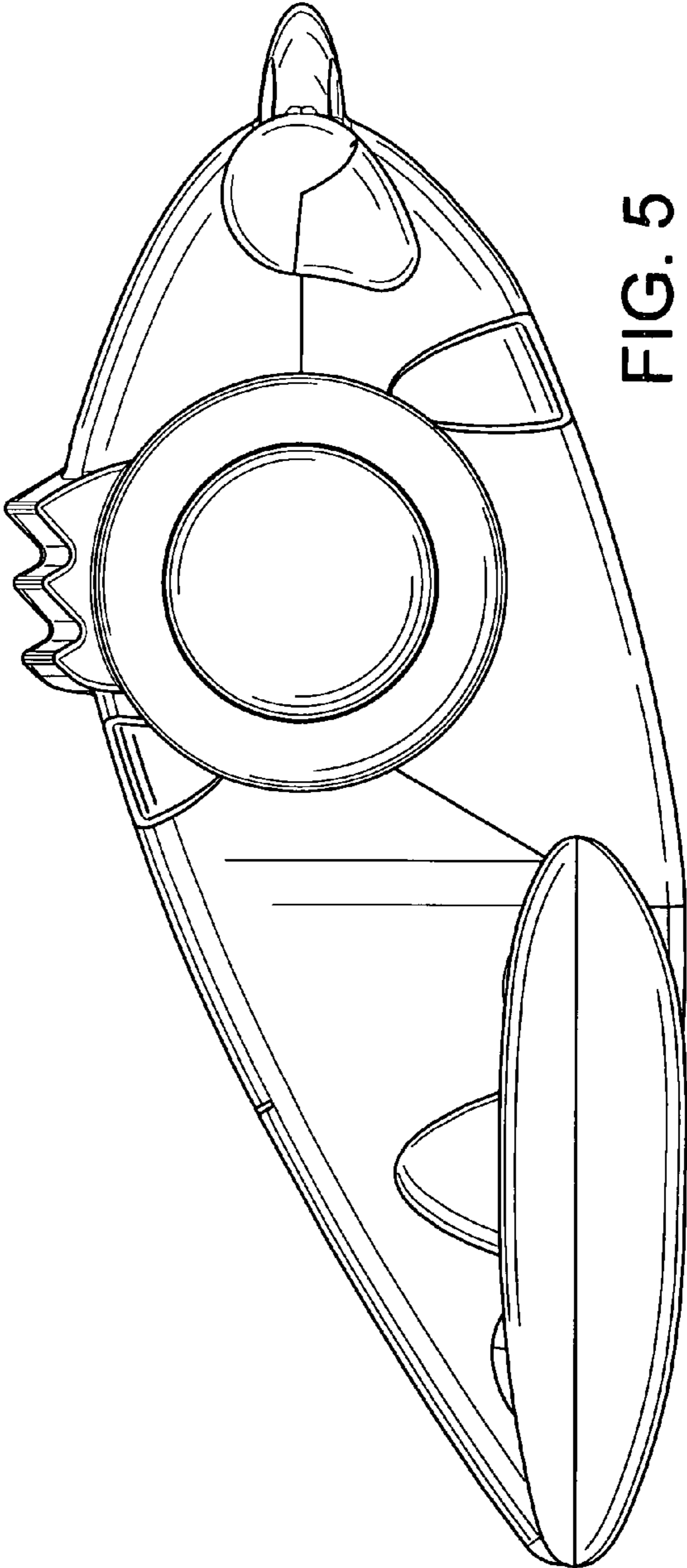


FIG. 5

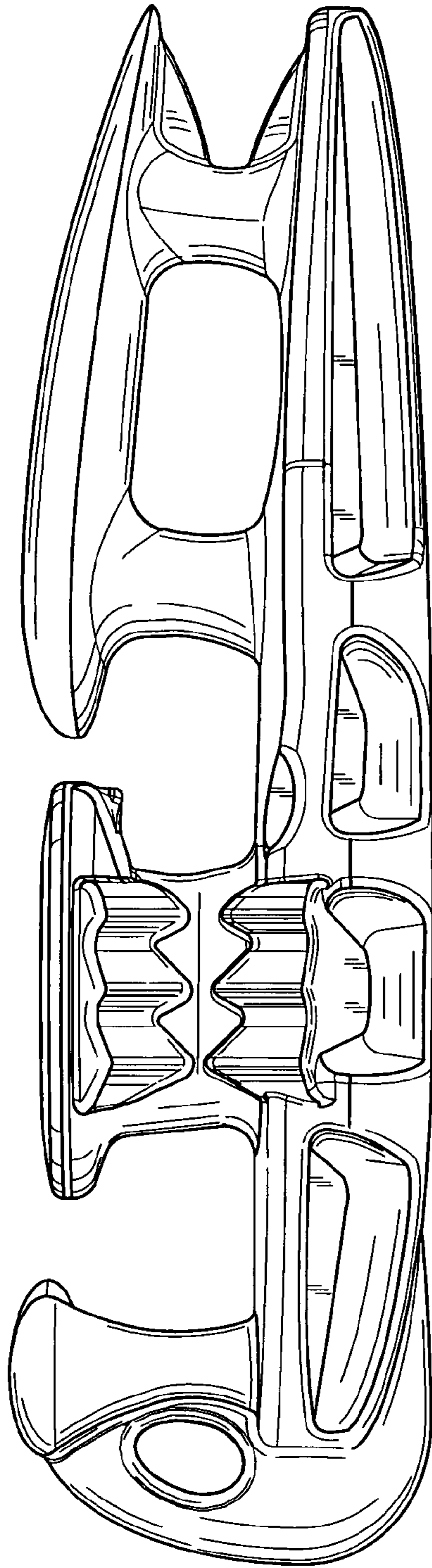


FIG. 6

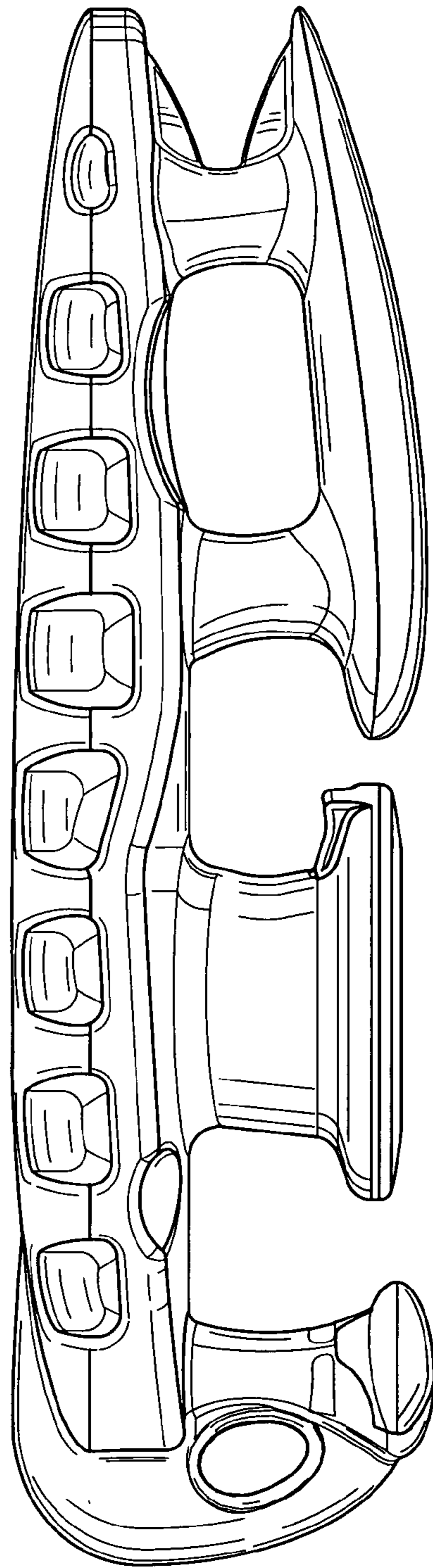


FIG. 7