



US00D560474S

(12) **United States Design Patent**
Thru

(10) **Patent No.:** **US D560,474 S**

(45) **Date of Patent:** **** Jan. 29, 2008**

(54) **FASTENER FOR A CABLE BOX**

D359,444 S * 6/1995 Johansson D8/382

(75) Inventor: **Carsten Thru**, Horsens (DK)

* cited by examiner

(73) Assignee: **ABB Technology Ltd.**, Zurich (CH)

Primary Examiner—Holly H. Baynham

Assistant Examiner—Sheryl Friedman

(**) Term: **14 Years**

(74) *Attorney, Agent, or Firm*—Buchanan Ingersoll & Rooney, PC.

(21) Appl. No.: **29/222,204**

(57) **CLAIM**

(22) Filed: **Jan. 28, 2005**

The ornamental design for a fastener for a cable box, as shown and described.

(51) **LOC (8) Cl.** **08-08**

(52) **U.S. Cl.** **D8/382**

(58) **Field of Classification Search** D12/103,
D12/104; D34/37; 180/89.12; D15/30;
296/190; D8/382

DESCRIPTION

See application file for complete search history.

FIG. 1 is a front, perspective view of a fastener for a cable box showing my new design.

FIG. 2 is an enlarged front perspective view thereof; and, FIG. 3 is an enlarged rear perspective view thereof.

The views of FIGS. 1–3 are shown in fragmented form for ease of illustration and to indicate indeterminate length.

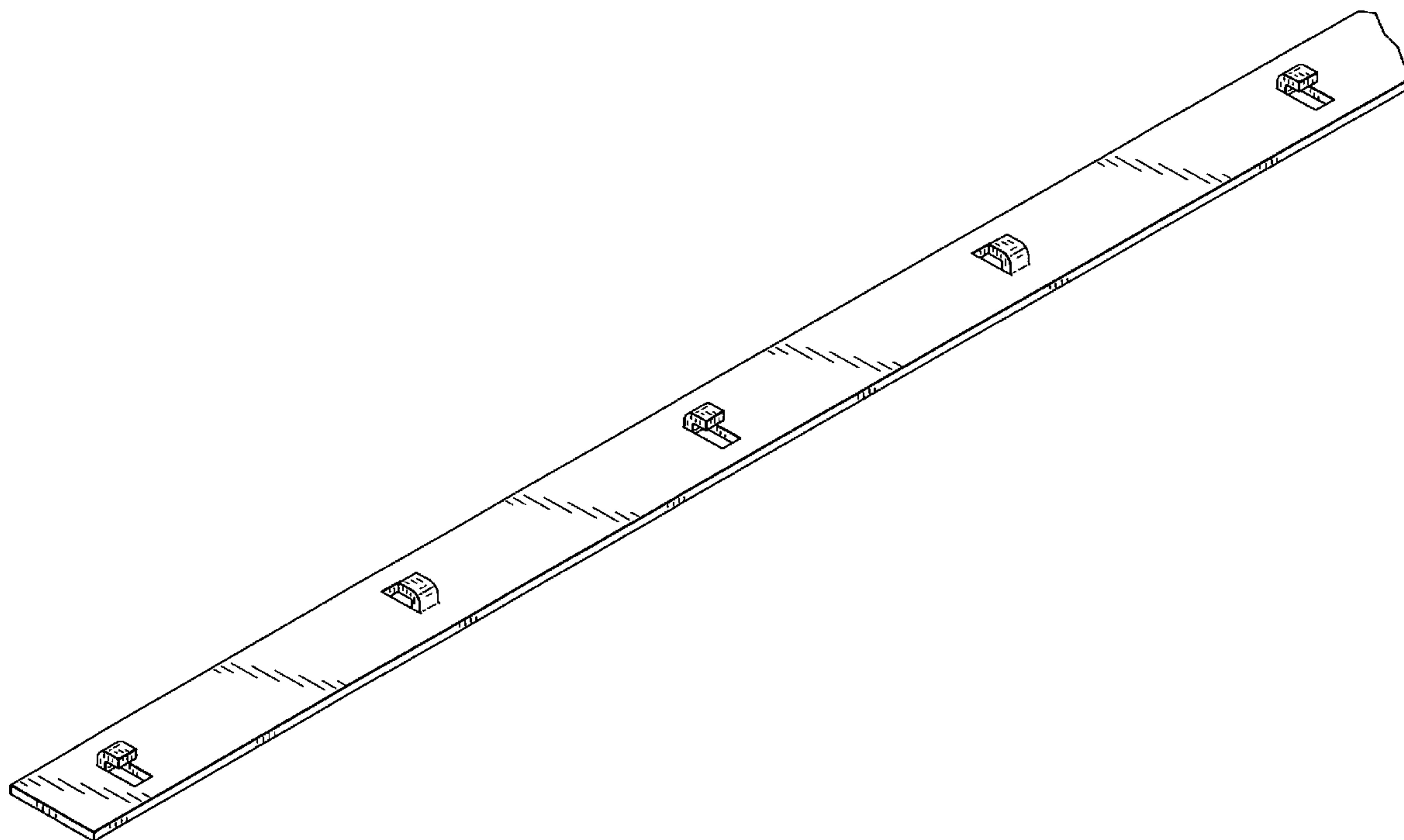
(56) **References Cited**

U.S. PATENT DOCUMENTS

D267,228 S * 12/1982 Channell D8/382

D359,442 S * 6/1995 Johansson D8/382

1 Claim, 3 Drawing Sheets



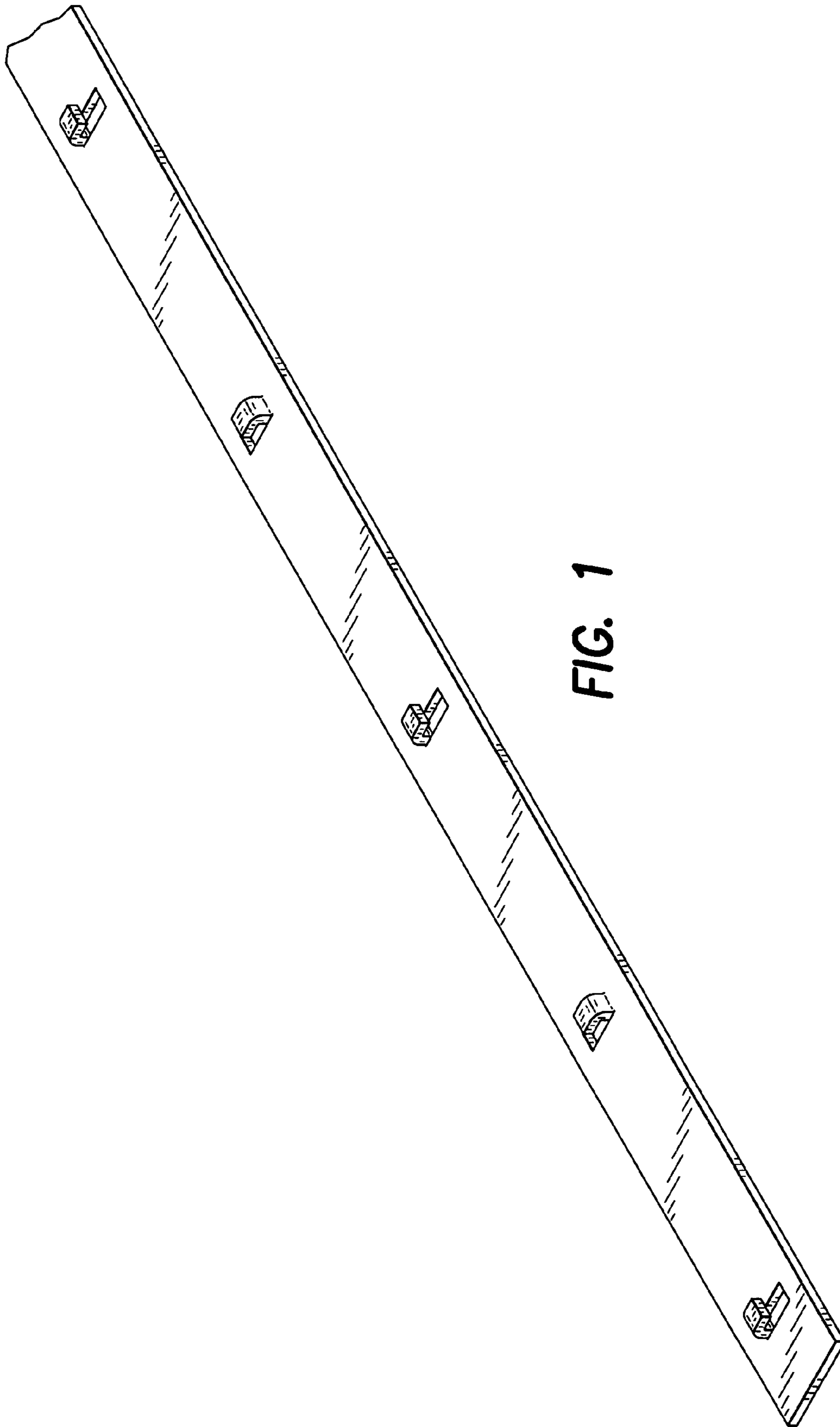


FIG. 1

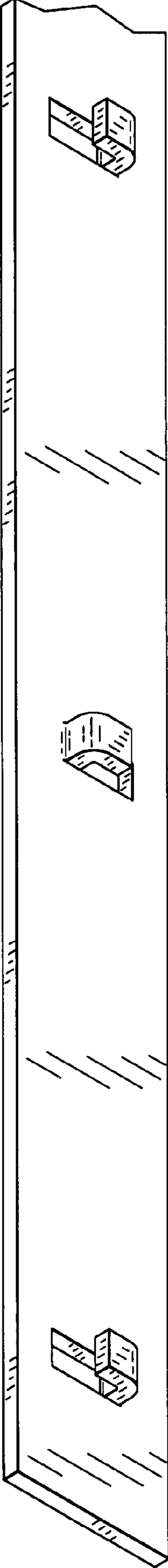


FIG. 2

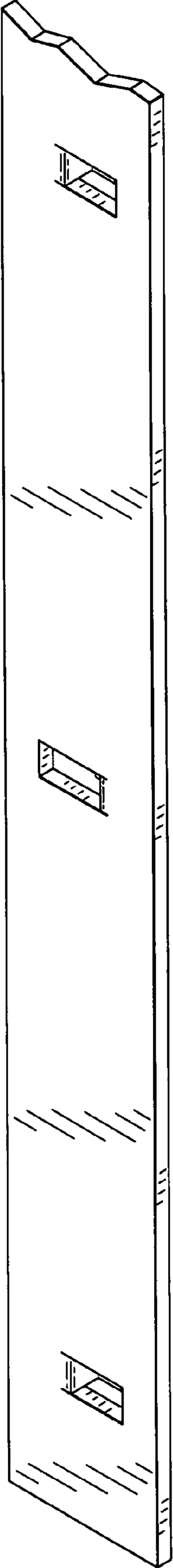


FIG. 3