



US00D560472S

(12) **United States Design Patent**
Petrucelli

(10) **Patent No.:** **US D560,472 S**

(45) **Date of Patent:** **** Jan. 29, 2008**

(54) **HOLDER ARM FOR MANNEQUIN'S HEAD**

(75) Inventor: **Giulio Petrucelli**, Flushing, NY (US)

(73) Assignee: **P.S. Pibbs, Inc.**, Flushing, NY (US)

(**) Term: **14 Years**

(21) Appl. No.: **29/271,718**

(22) Filed: **Jan. 25, 2007**

(51) **LOC (8) Cl.** **08-05**

(52) **U.S. Cl.** **D8/355**

(58) **Field of Classification Search** D8/355,
D8/363; 248/274.1, 284.1, 278.1, 160, 229.15,
248/231.4

See application file for complete search history.

(56) **References Cited**

U.S. PATENT DOCUMENTS

937,480	A *	10/1909	Smith et al.	248/231.71
3,489,383	A *	1/1970	Anson	248/231.71
3,934,804	A *	1/1976	Bruce	248/229.15
4,078,756	A *	3/1978	Cross	248/231.71
4,987,690	A *	1/1991	Aaldenberg et al.	40/341
5,156,365	A *	10/1992	McCaig et al.	248/160
D393,198	S *	4/1998	Schmidt	D8/355
6,598,842	B1 *	7/2003	Yeh	248/231.71
6,834,837	B2 *	12/2004	Schilt et al.	248/284.1

* cited by examiner

Primary Examiner—Holly H. Baynham

(74) *Attorney, Agent, or Firm*—Anthony J. Casella; Gerald E. Hespos

(57) **CLAIM**

The ornamental design for a holder arm for mannequin's head, as shown and described.

DESCRIPTION

FIG. 1 is a perspective view of the holder arm of the subject invention, with a mannequin's head attached thereto and shown in dotted lines;

FIG. 2 is a perspective view of the holder arm of the subject invention as mounted to a wall;

FIG. 3 is a side elevational view of the holder arm of the subject invention taken from the left side of FIG. 2;

FIG. 4 is a top plan view of the holder arm of the subject invention;

FIG. 5 is a rear elevational view of the holder arm of the subject invention;

FIG. 6 is a front elevational view of the holder arm of the subject invention; and,

FIG. 7 is a bottom plan view of the holder arm of the subject invention.

The broken line showing the mannequin's head and the wall to which the holder arm of the subject invention is attached is for illustrative purposes only and forms no part of the claimed design.

1 Claim, 5 Drawing Sheets

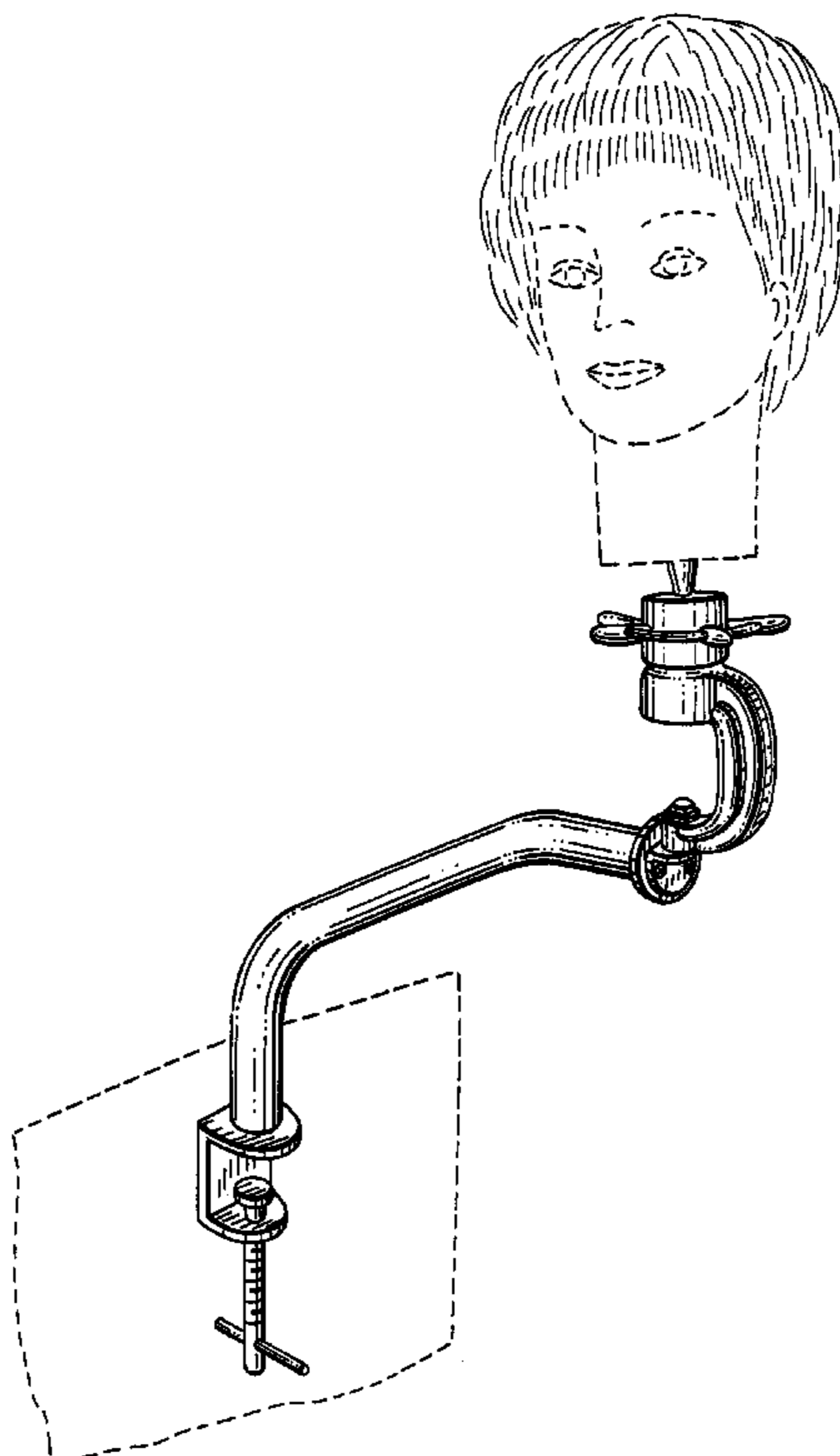


FIG. 1

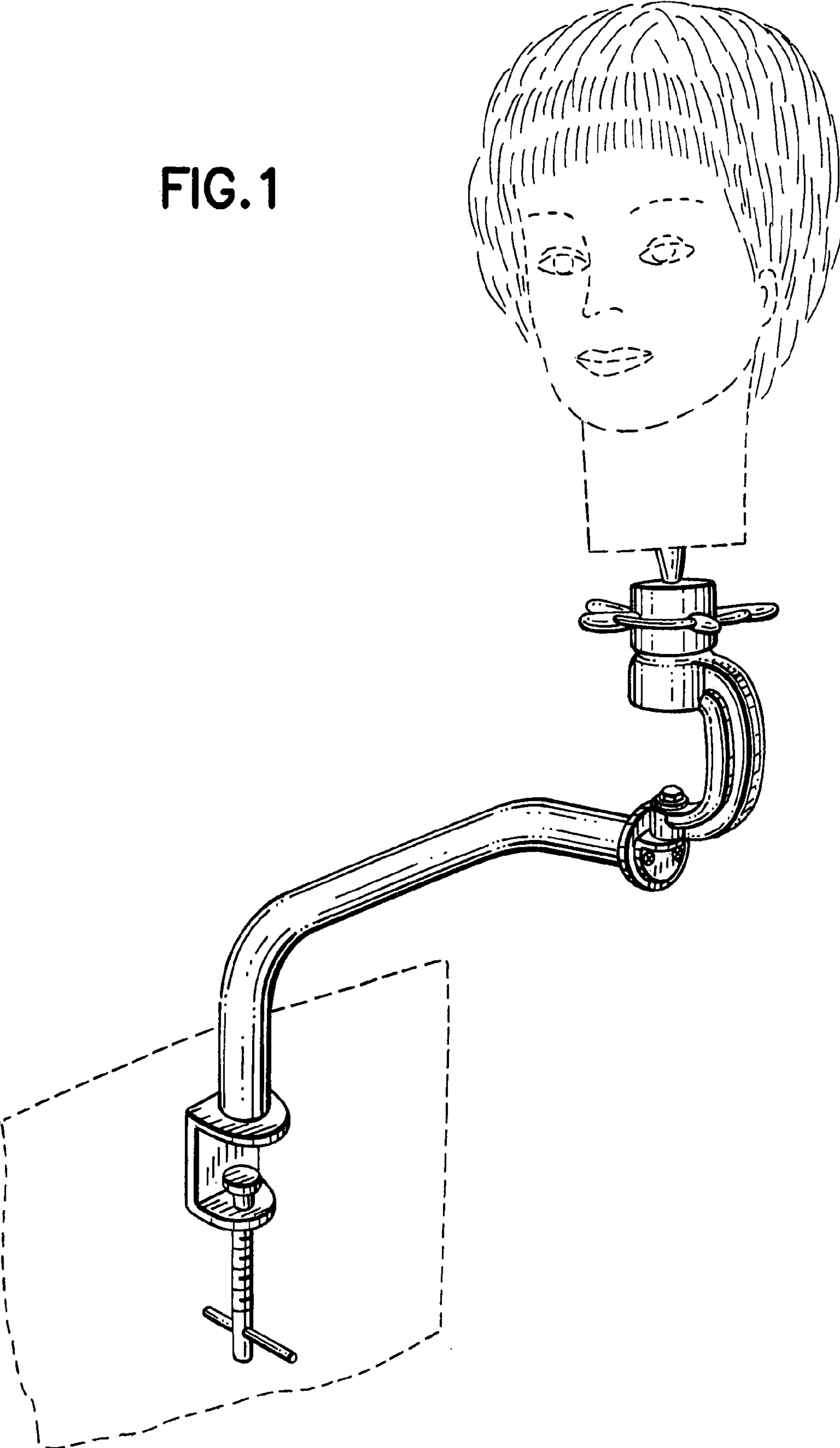
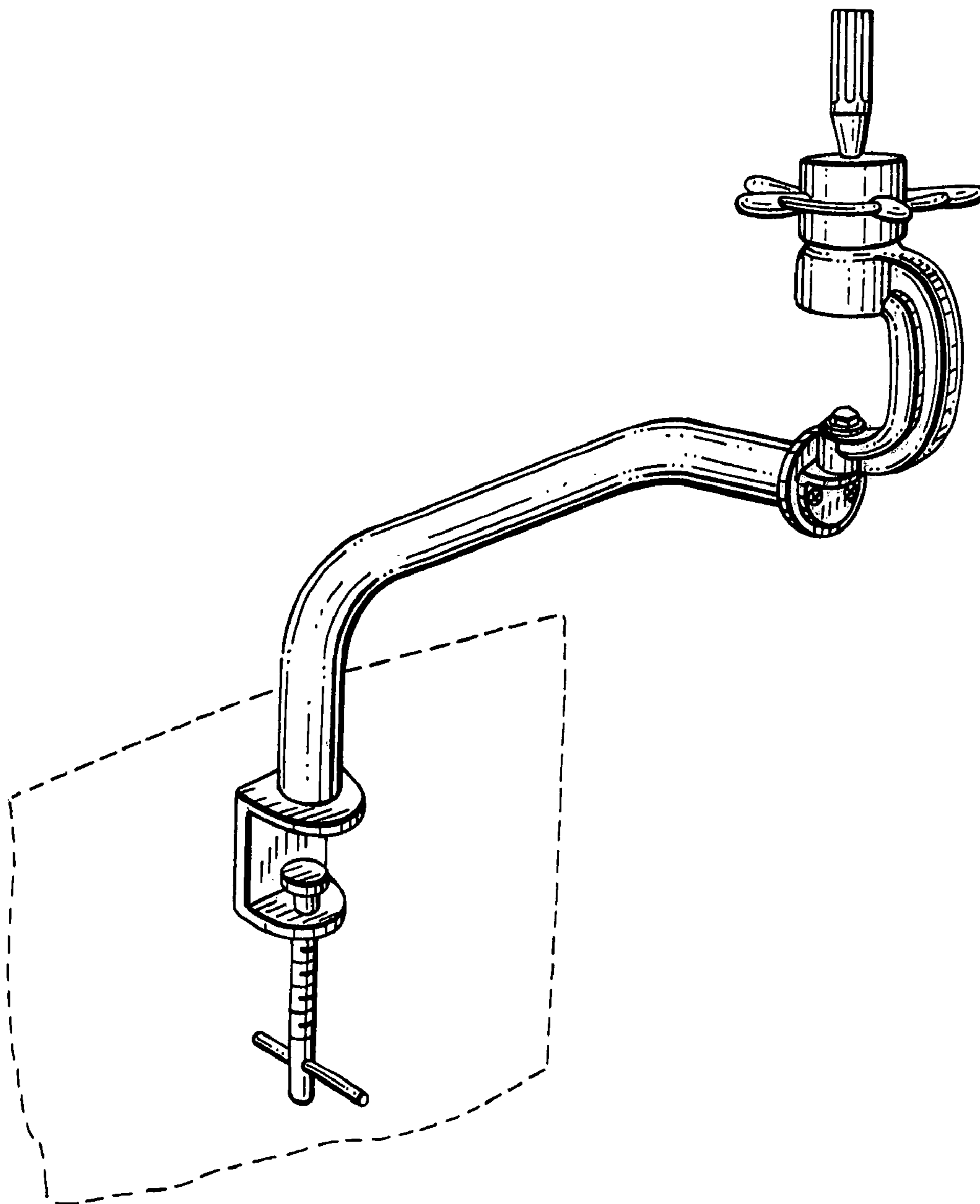


FIG.2



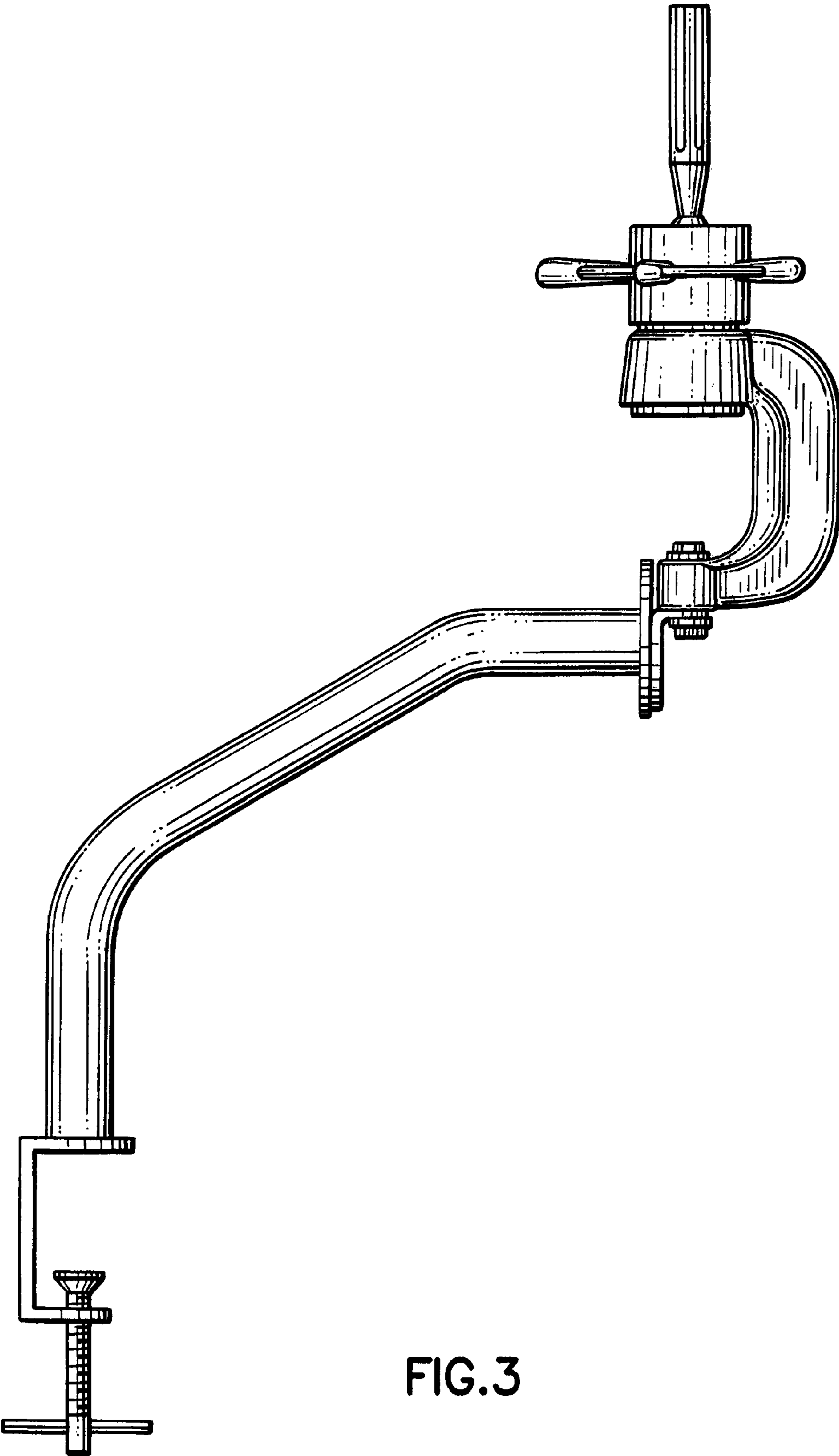


FIG.3

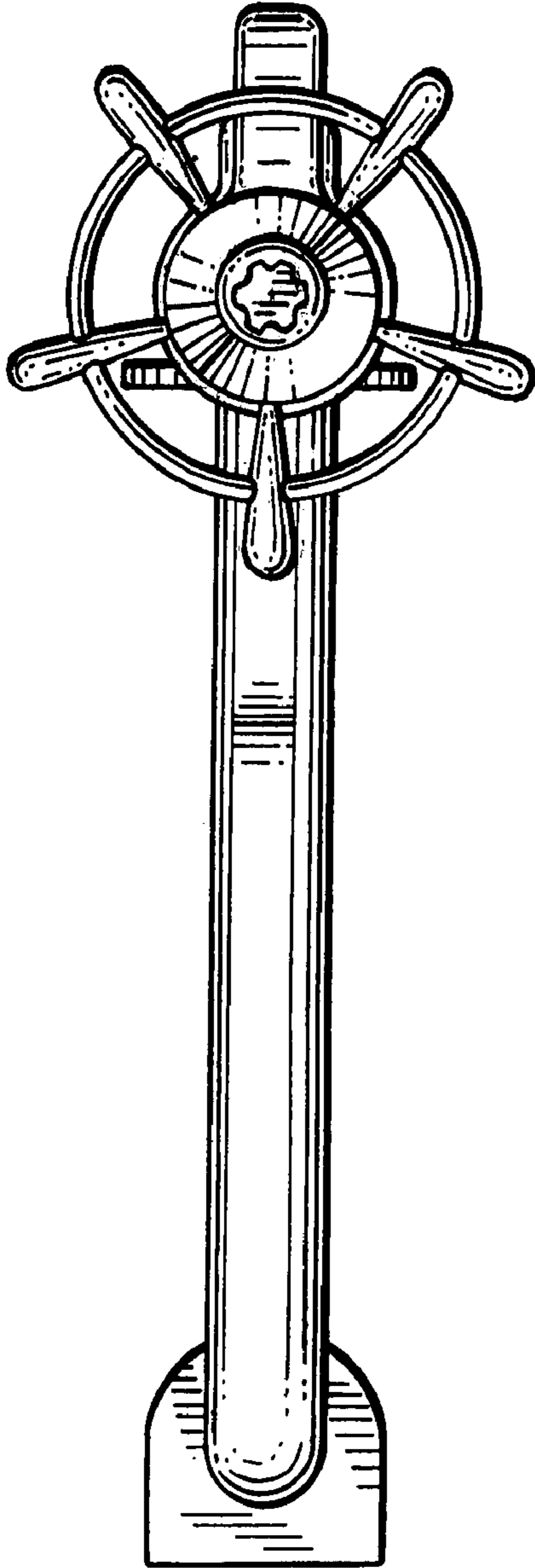


FIG. 4

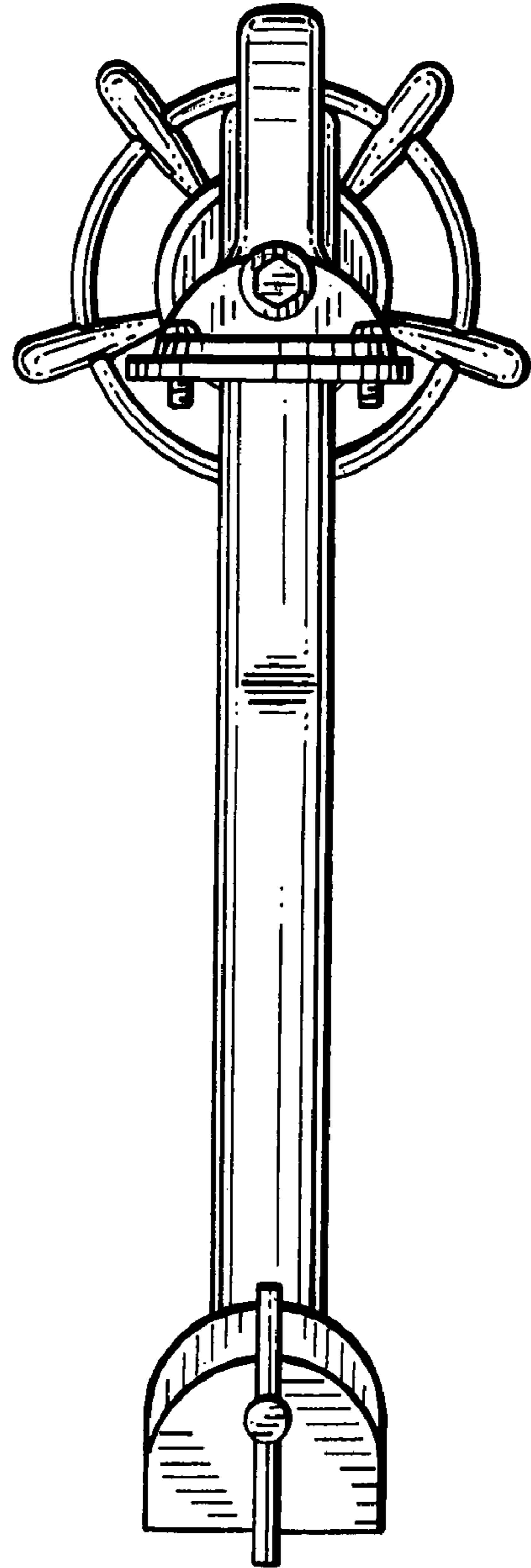


FIG. 7

