

US00D560469S

(12) **United States Design Patent**
Bartol et al.

(10) **Patent No.:** **US D560,469 S**
(45) **Date of Patent:** **** Jan. 29, 2008**

(54) **FLANGE FOR A SKYLIGHT**

(75) Inventors: **Anthony J. Bartol**, Plymouth, WI
(US); **Neal R. Verfuerrth**, Plymouth, WI
(US)

(73) Assignee: **Orion Energy Systems, Ltd**, Plymouth,
WI (US)

(**) Term: **14 Years**

(21) Appl. No.: **29/248,712**

(22) Filed: **Aug. 29, 2006**

(51) **LOC (8) Cl.** **08-05**

(52) **U.S. Cl.** **D8/349**

(58) **Field of Classification Search** D8/349,
D8/356, 354; 248/300, 27.1
See application file for complete search history.

(56) **References Cited**

U.S. PATENT DOCUMENTS

1,890,368 A * 12/1932 Chesler 24/713.7
2,143,087 A * 1/1939 Rau 24/713.7

3,405,487 A * 10/1968 De Kerke 52/200
D285,044 S * 8/1986 Mockett D8/354
6,889,948 B2 * 5/2005 Melancon et al. 248/309.1

* cited by examiner

Primary Examiner—Holly H Baynham

(74) *Attorney, Agent, or Firm*—Foley & Lardner LLP

(57) **CLAIM**

We claim the ornamental design for a flange for a skylight,
as shown and described.

DESCRIPTION

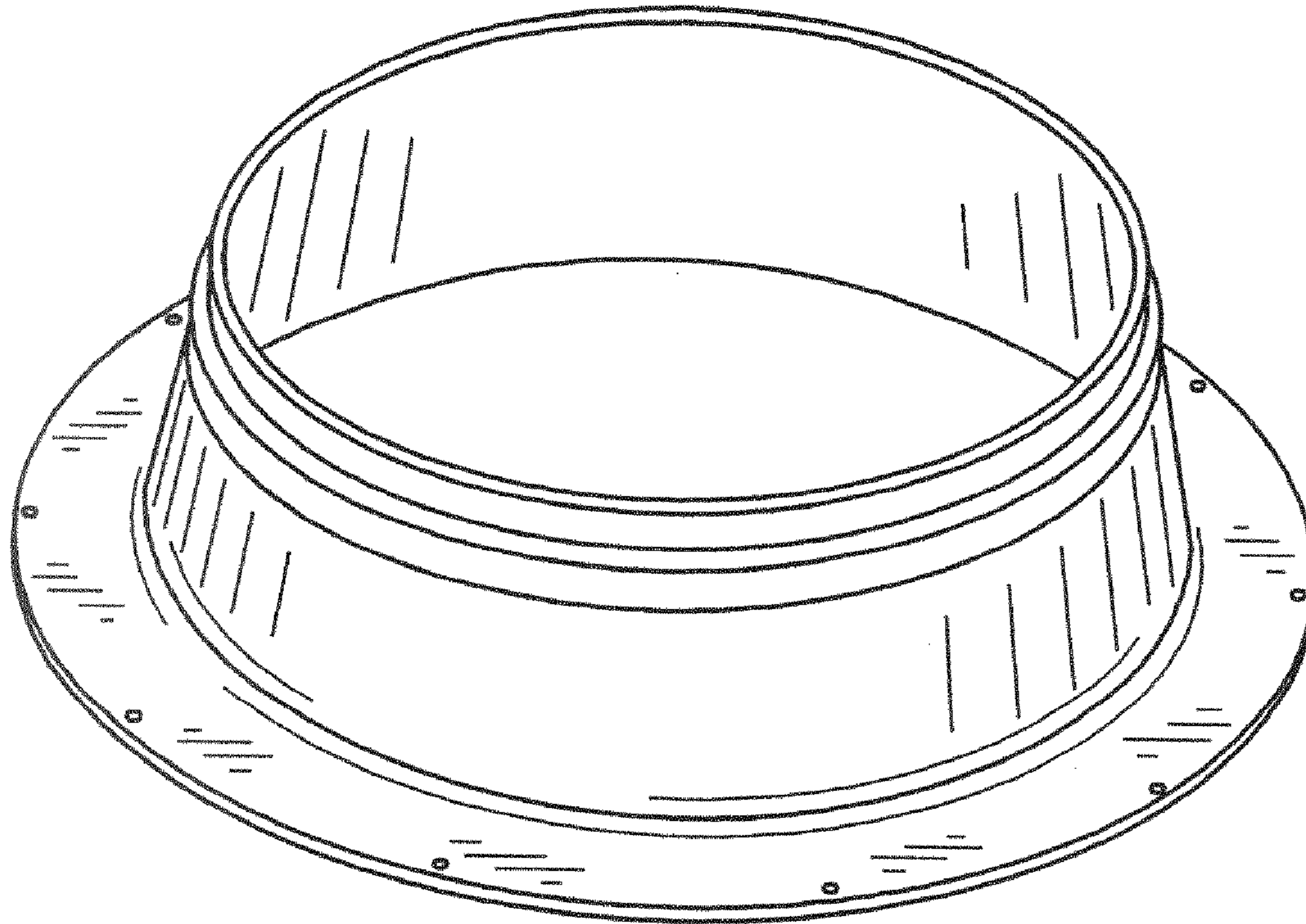
FIG. 1 is a perspective view of a flange for a skylight
showing our new design;

FIG. 2 is a top plan view thereof; and,

FIG. 3 is a side plan view.

The ornamental design which is claimed is shown in solid
lines in the drawings. The broken lines in the drawings are
for illustrative purposes only and form no part of the claimed
design.

1 Claim, 2 Drawing Sheets



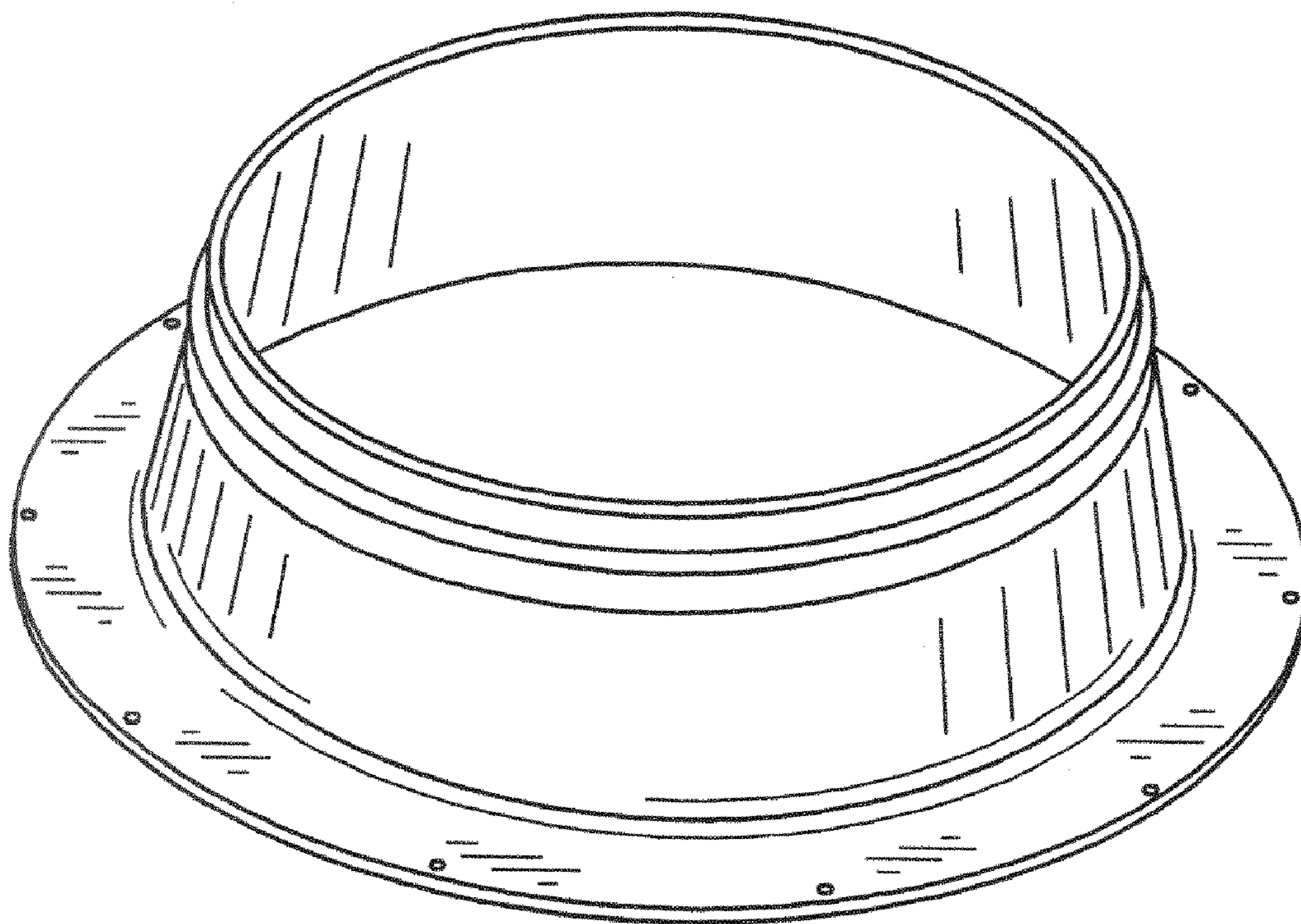


FIG. 1

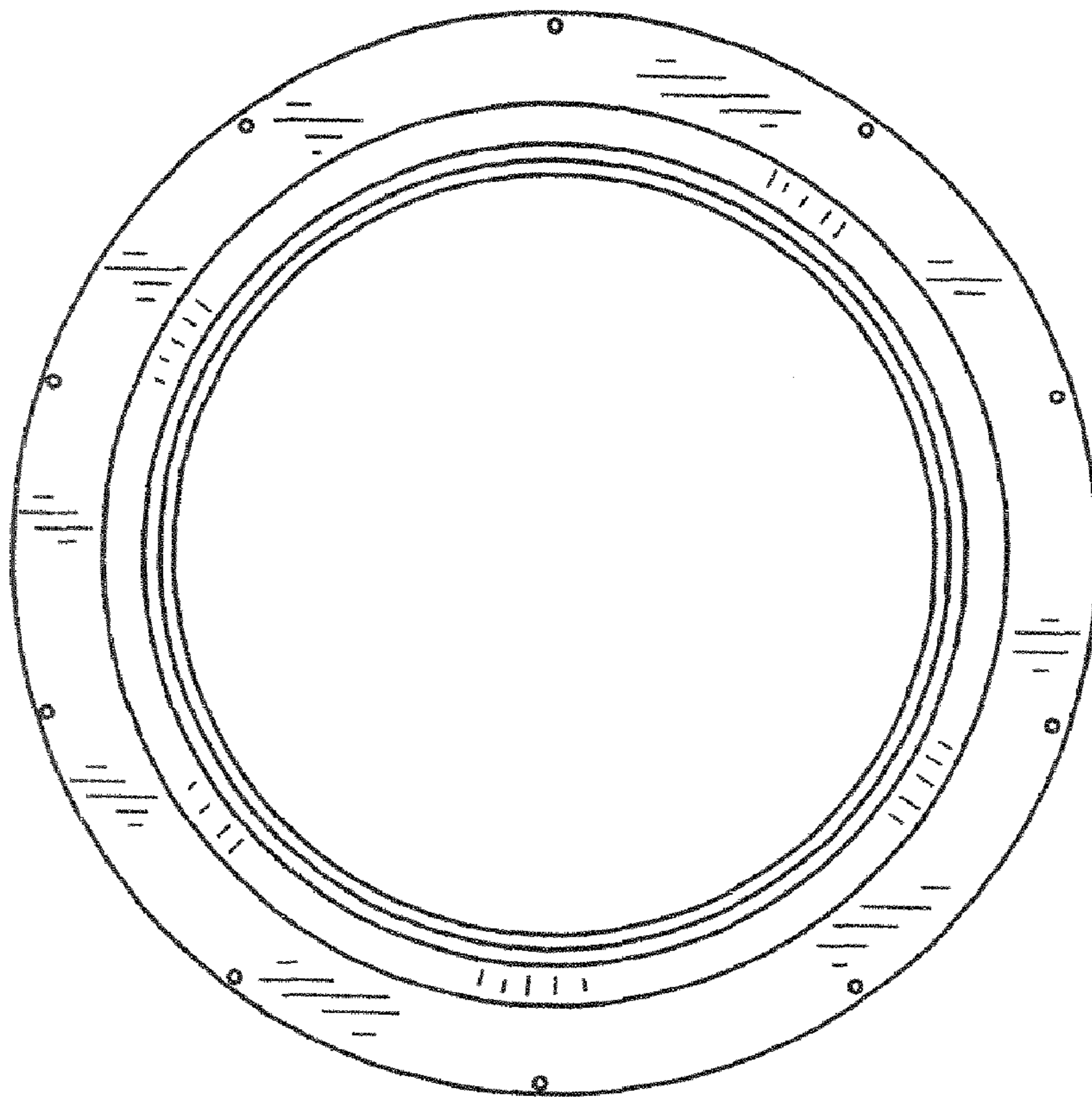


FIG. 2

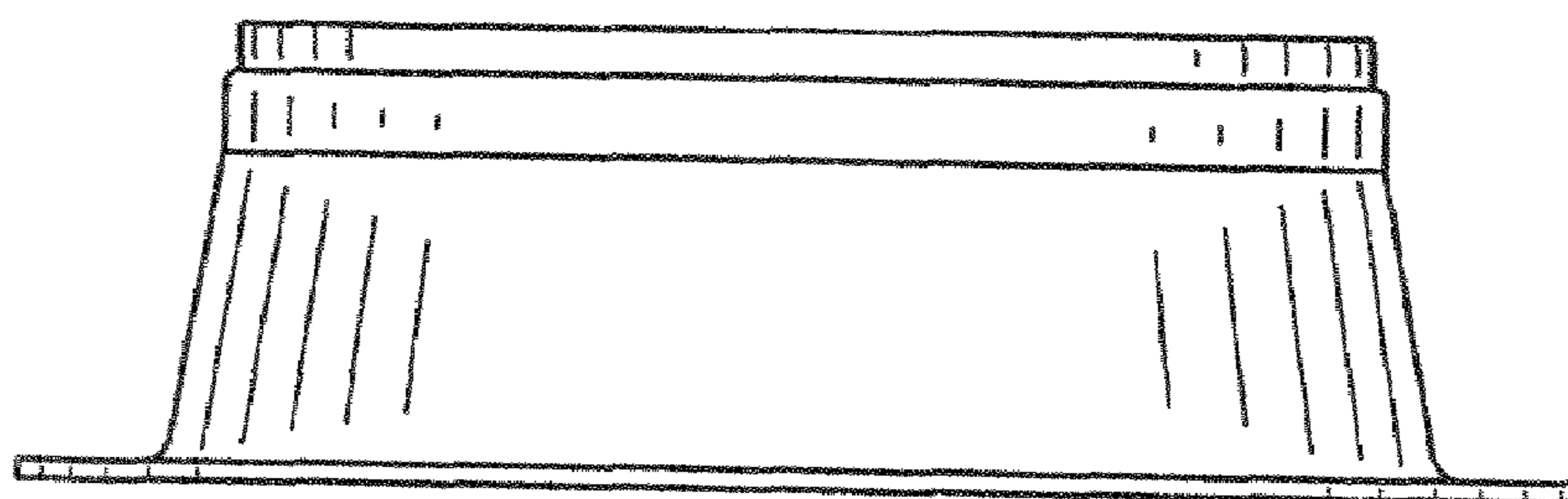


FIG. 3