



US00D560468S

(12) **United States Design Patent**  
**Bahadir**

(10) **Patent No.:** **US D560,468 S**

(45) **Date of Patent:** **\*\* Jan. 29, 2008**

(54) **LOCK OF STERILIZATION CONTAINER**

(75) Inventor: **Yakup Bahadir**, Kutlukent (TR)

(73) Assignee: **Bahadir Tibbi Alet Cihaz Ve Insaat Makina Sanayi Ve Ticaret A.S.**, Samsun (TR)

(\*\*) Term: **14 Years**

(21) Appl. No.: **29/279,836**

(22) Filed: **May 8, 2007**

**Related U.S. Application Data**

(62) Division of application No. 29/255,105, filed on Mar. 3, 2006.

(51) **LOC (8) Cl.** ..... **08-07**

(52) **U.S. Cl.** ..... **D8/331**

(58) **Field of Classification Search** ..... D8/330-348; D24/217; 422/297-303, 310, 119; 70/3, 70/6, 31, 78, 80, 179, 141, 142, 208, 209, 70/77, 91, 101, 4, 312; 292/247, 113  
See application file for complete search history.

(56) **References Cited**

**U.S. PATENT DOCUMENTS**

D210,686 S \* 4/1968 Woolworth ..... D8/336  
4,818,502 A \* 4/1989 Taschner ..... 422/310  
4,915,913 A \* 4/1990 Williams et al. .... 422/119

4,920,771 A \* 5/1990 Jiang ..... 70/4  
5,351,509 A \* 10/1994 Visenzi ..... 70/73  
D371,203 S \* 6/1996 Deeds ..... D24/217  
6,077,485 A \* 6/2000 Baker ..... 422/300  
6,319,481 B1 \* 11/2001 Banks ..... 422/300  
6,547,293 B1 \* 4/2003 Cheng ..... 292/247  
D482,593 S \* 11/2003 Wolf ..... D8/331  
D487,560 S \* 3/2004 Magnusson ..... D8/331  
D489,595 S \* 5/2004 Gleichauf et al. .... D8/336

\* cited by examiner

*Primary Examiner*—Mitchell Siegel

(74) *Attorney, Agent, or Firm*—Madson & Austin

(57) **CLAIM**

The ornamental design for a lock of sterilization container, as shown and described.

**DESCRIPTION**

FIG. 1 is a perspective view of the lock of sterilization container showing my new design as it may be used with a sterilization container. The sterilization container show in broken lines is not part of the design sought to be patented.

FIG. 2 is a top view thereof.

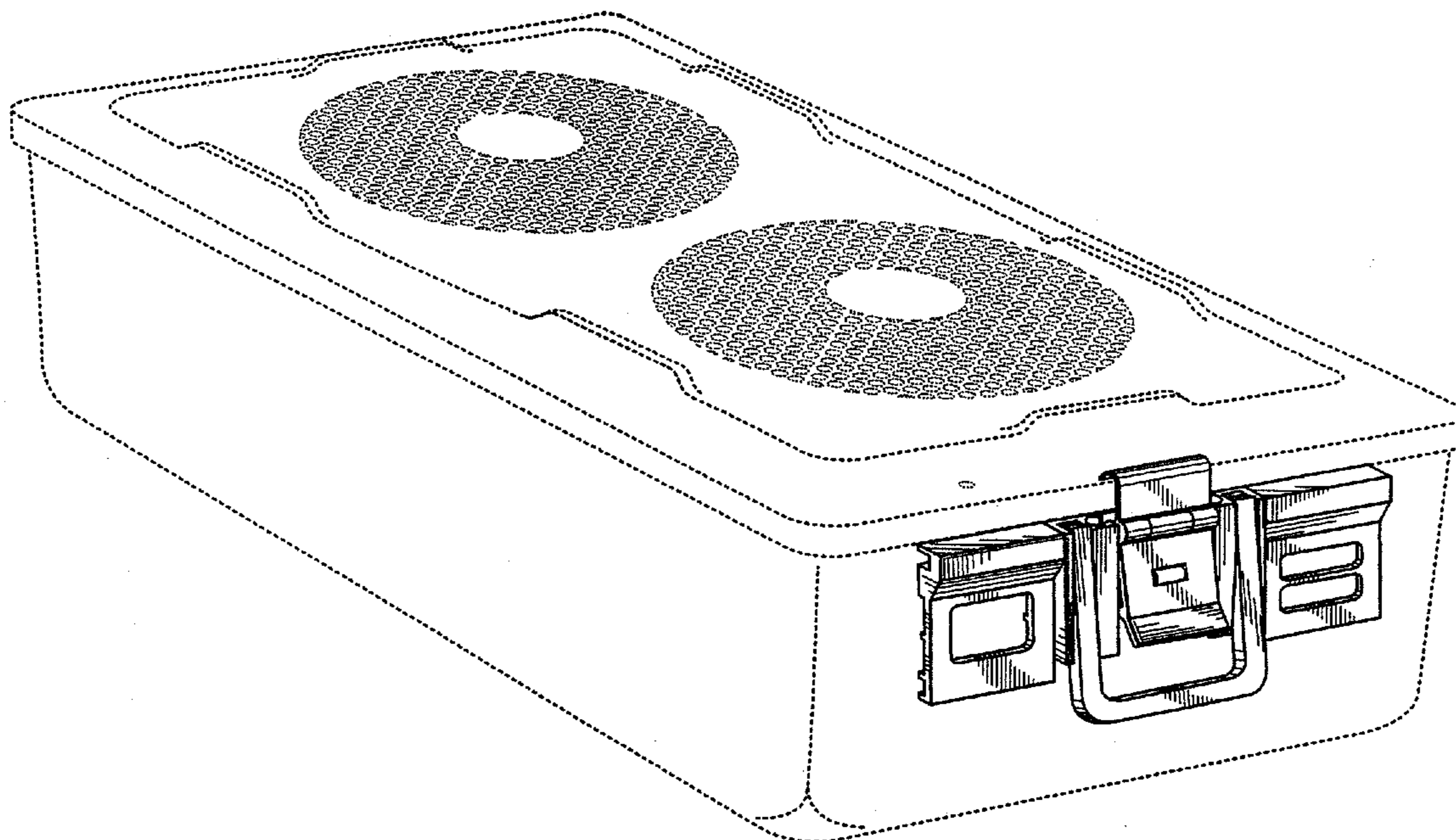
FIG. 3 is a front view thereof.

FIG. 4 is a left side view thereof.

FIG. 5 is a right side view thereof; and,

FIG. 6 is a bottom view thereof.

**1 Claim, 2 Drawing Sheets**



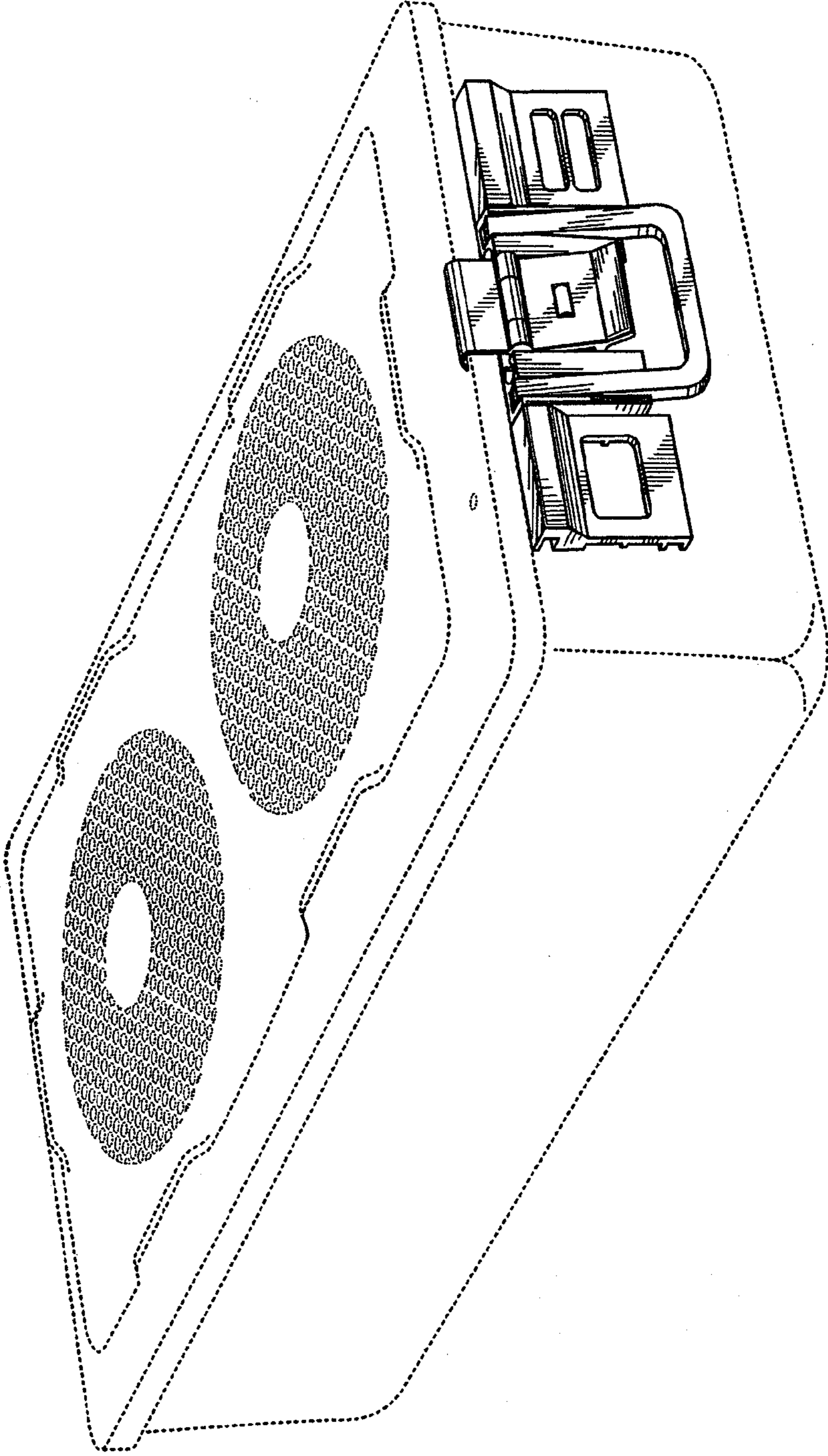


FIG. 1

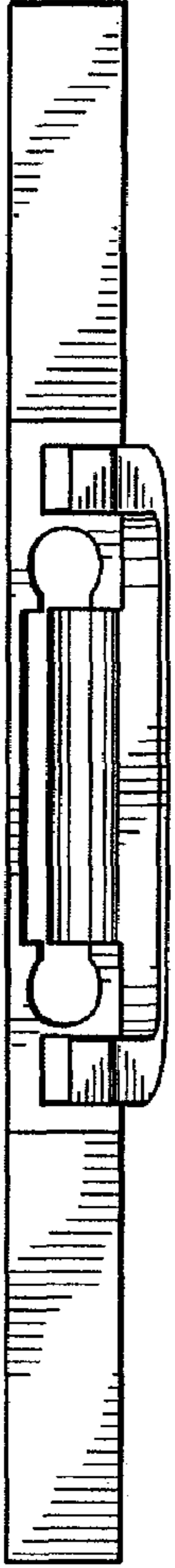


FIG. 2

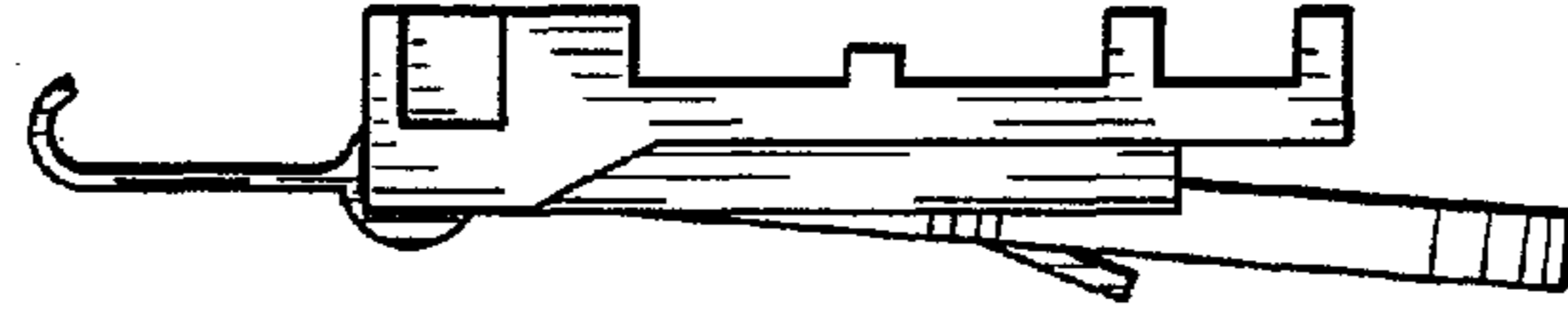


FIG. 4

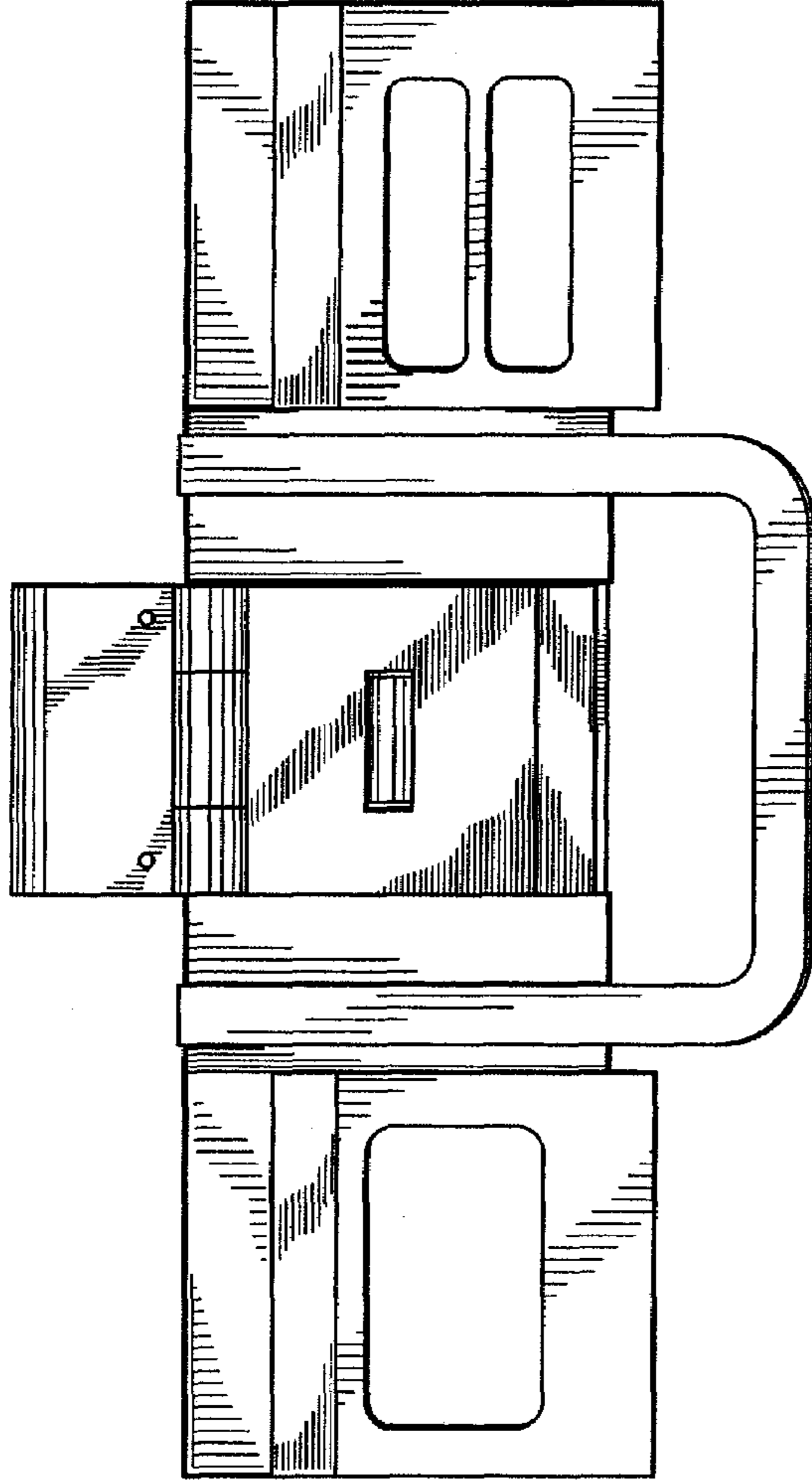


FIG. 3

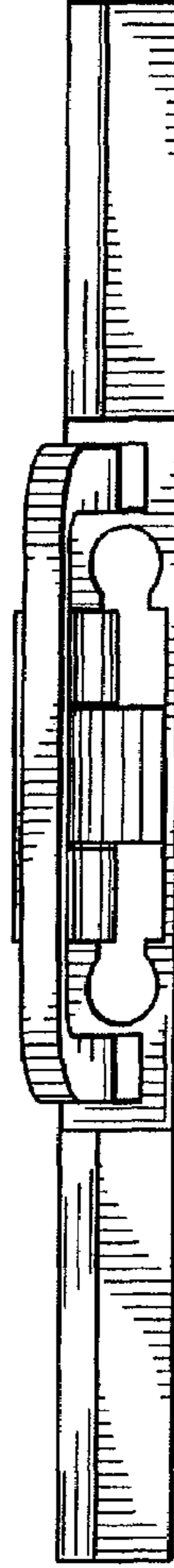


FIG. 6

FIG. 5

UNITED STATES PATENT AND TRADEMARK OFFICE  
**CERTIFICATE OF CORRECTION**

PATENT NO. : Des. 560,468 S  
APPLICATION NO. : 29/279836  
DATED : January 29, 2008  
INVENTOR(S) : Bahadir

Page 1 of 4

It is certified that error appears in the above-identified patent and that said Letters Patent is hereby corrected as shown below:

The title page showing the illustrative figure should be deleted to be replaced with the attached title page.

The drawing sheets, consisting of Figs. 1- 6, should be deleted to be replaced with the drawing sheets, consisting of Figs. 1- 6, as shown on the attached page.

Signed and Sealed this

Tenth Day of June, 2008

A handwritten signature in black ink that reads "Jon W. Dudas". The signature is written in a cursive style with a large, looped initial "J".

JON W. DUDAS

*Director of the United States Patent and Trademark Office*

(12) **United States Design Patent**  
Bahadır

(10) **Patent No.:** US D560,468 S  
(45) **Date of Patent:** \*\* Jan. 29, 2008

(54) **LOCK OF STERILIZATION CONTAINER**

(75) **Inventor:** Yakup Bahadır, Kuthakent (TR)

(73) **Assignee:** Bahadır Tıbbi Alet Cihaz Ve İnsaat  
Makina Sanayi Ve Ticaret A.Ş.,  
Samsun (TR)

(\*\*) **Term:** 14 Years

(21) **Appl. No.:** 29/279,836

(22) **Filed:** May 8, 2007

**Related U.S. Application Data**

(62) Division of application No. 29/255,105, filed on Mar. 3, 2006.

(51) **LOC (8) CL.** ..... 08-07

(52) **U.S. CL.** ..... D8/331

(58) **Field of Classification Search** ..... D8/330-348;  
D24/217; 422/297-303, 310, 119; 70/3,  
70/6, 31, 78, 80, 179, 141, 142, 208, 209,  
70/77, 91, 101, 4, 312; 292/247, 113

See application file for complete search history.

(56) **References Cited**

**U.S. PATENT DOCUMENTS**

D210,686 S \* 4/1968 Woolworth ..... D8/336  
4,818,502 A \* 4/1989 Taschner ..... 422/310  
4,915,913 A \* 4/1990 Williams et al. .... 422/119

4,920,771 A \* 5/1990 Jiang ..... 70/4  
5,351,509 A \* 10/1994 Visenzi ..... 70/73  
D371,203 S \* 6/1996 Deeds ..... D24/217  
6,077,485 A \* 6/2000 Baker ..... 422/300  
6,319,481 B1 \* 11/2001 Banks ..... 422/300  
6,547,293 B1 \* 4/2003 Cheng ..... 292/247  
D482,593 S \* 11/2003 Wolf ..... D8/331  
D487,560 S \* 3/2004 Magnusson ..... D8/331  
D489,595 S \* 5/2004 Gleichauf et al. .... D8/336

\* cited by examiner

*Primary Examiner*---Mitchell Siegel

(74) *Attorney, Agent, or Firm*---Madson & Austin

(57) **CLAIM**

The ornamental design for a lock of sterilization container, as shown and described.

**DESCRIPTION**

FIG. 1 is a perspective view of the lock of sterilization container showing my new design as it may be used with a sterilization container. The sterilization container show in broken lines is not part of the design sought to be patented.

FIG. 2 is a top view thereof.

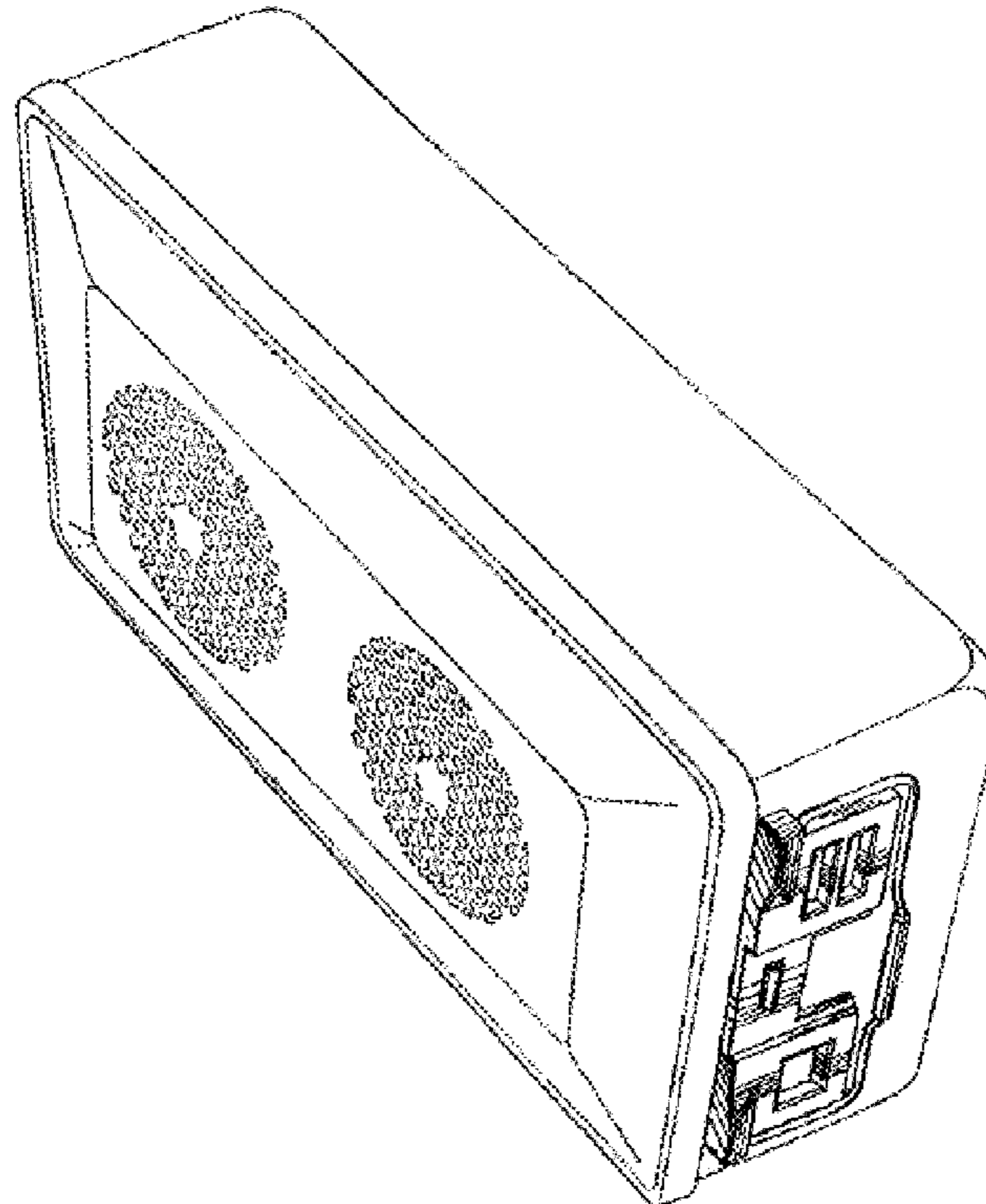
FIG. 3 is a front view thereof.

FIG. 4 is a left side view thereof.

FIG. 5 is a right side view thereof; and,

FIG. 6 is a bottom view thereof.

**1 Claim, 2 Drawing Sheets**



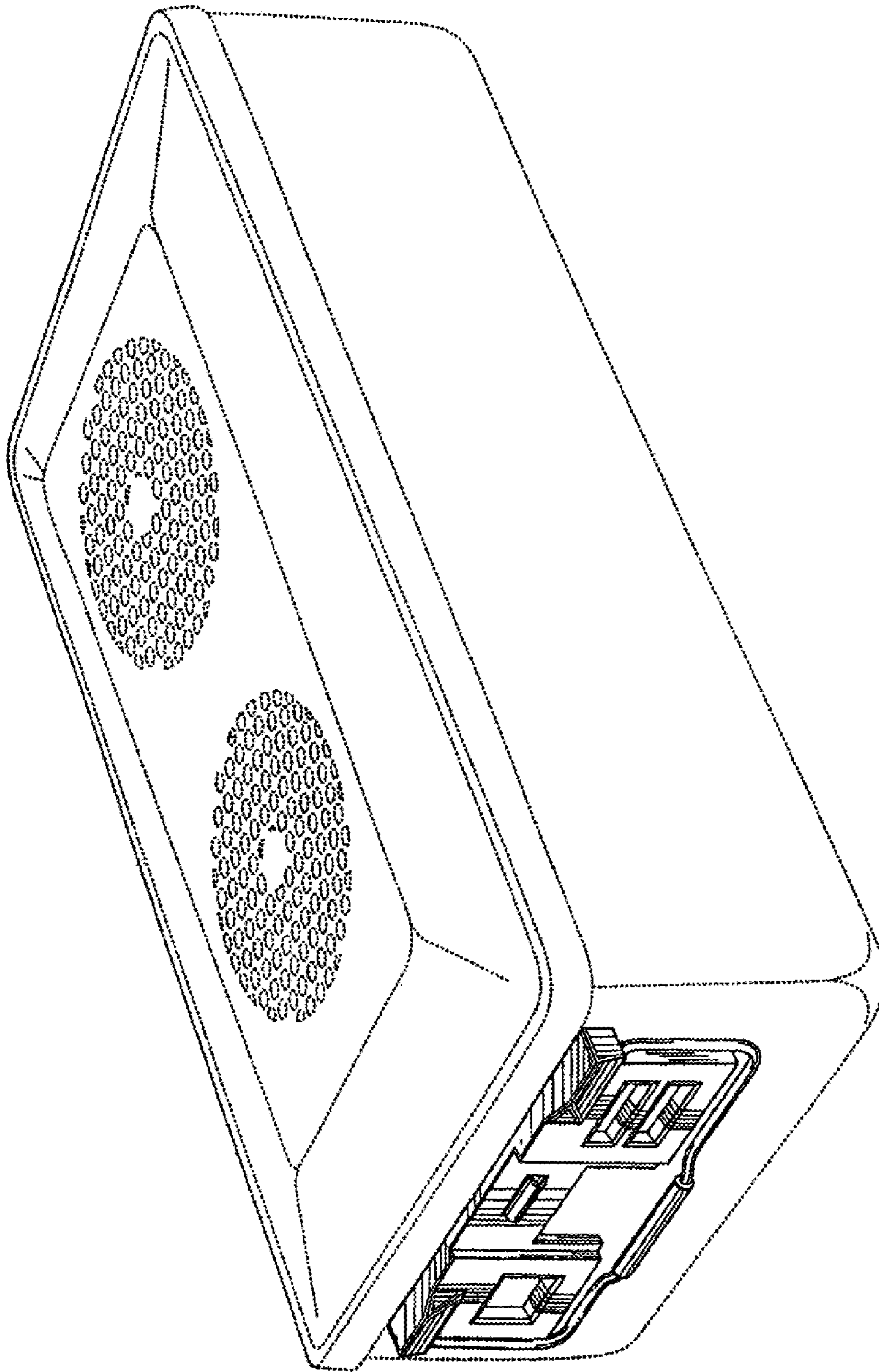


Fig. 1

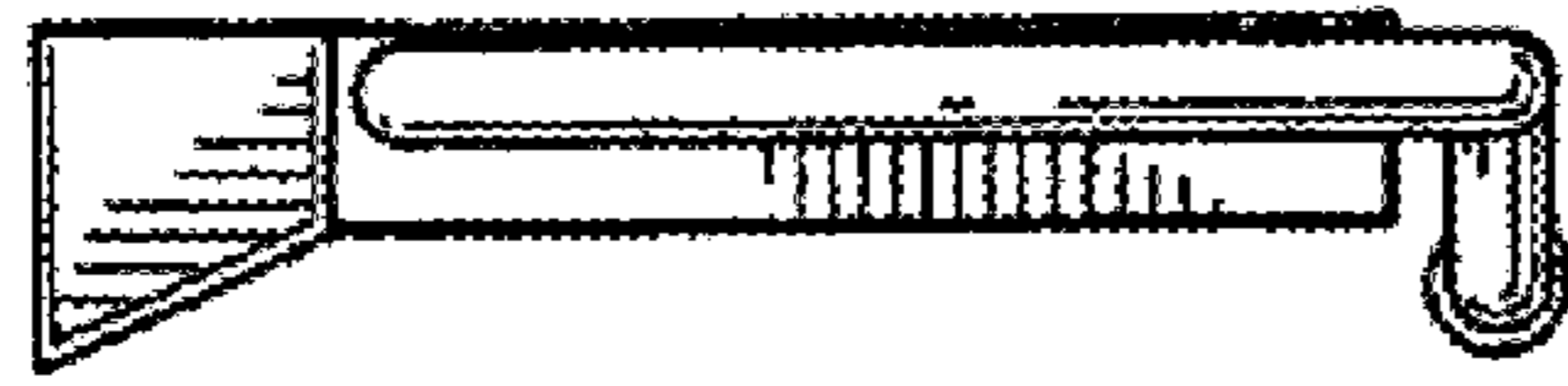


Fig. 6

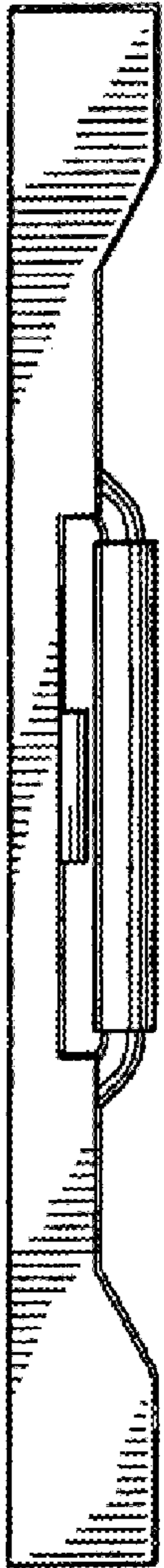


Fig. 2

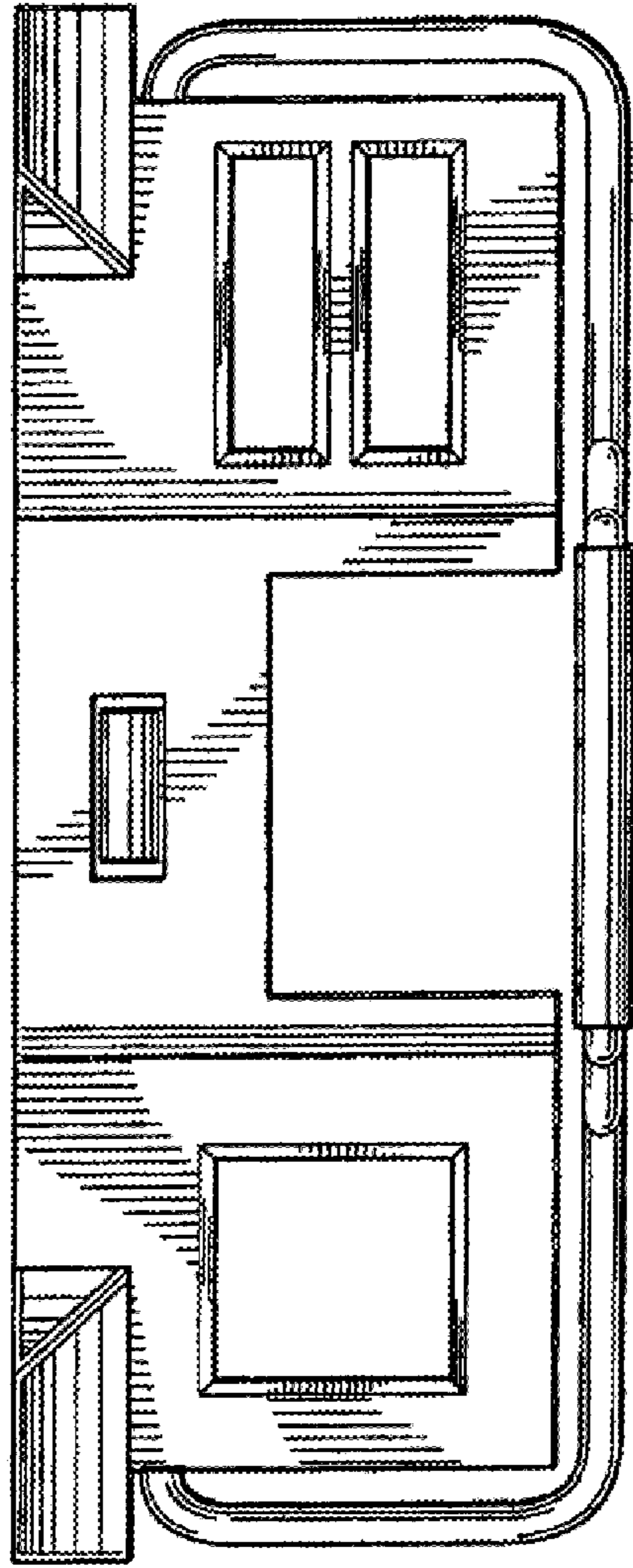


Fig. 3

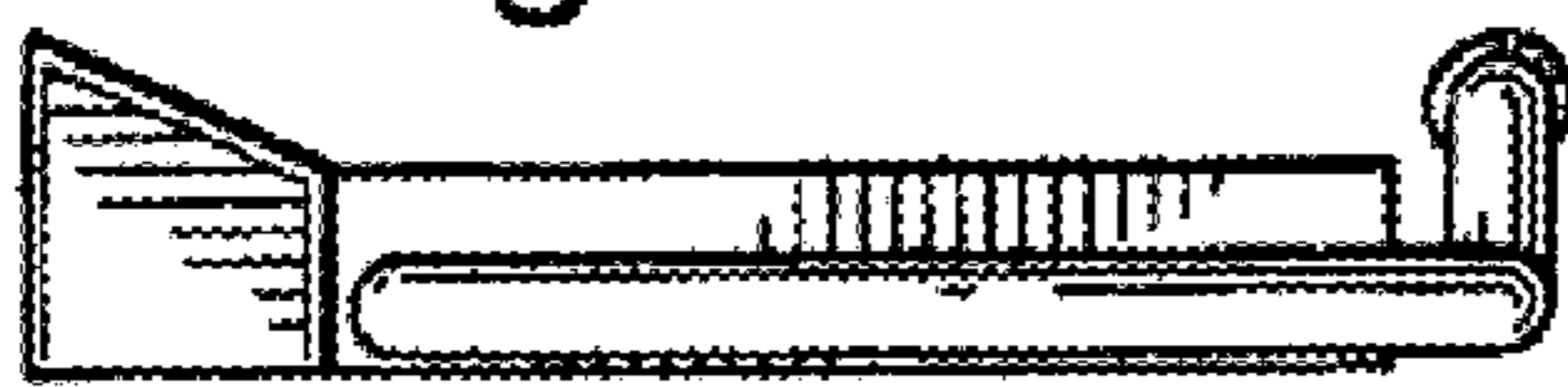


Fig. 5

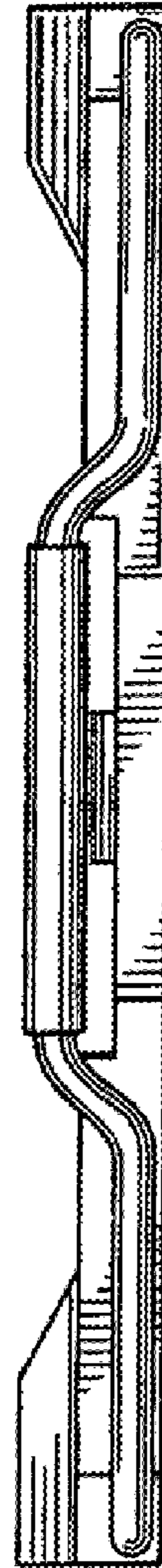


Fig. 4