



US00D560467S

(12) **United States Design Patent**
Pattison

(10) **Patent No.:** **US D560,467 S**

(45) **Date of Patent:** **** Jan. 29, 2008**

(54) **LOCK**

(75) **Inventor:** **Nigel Raymond Pattison, Durban (ZA)**

(73) **Assignee:** **Trellicor (Proprietary) Limited, Durban (ZA)**

(**) **Term:** **14 Years**

(21) **Appl. No.:** **29/248,865**

(22) **Filed:** **Sep. 8, 2006**

(30) **Foreign Application Priority Data**

Mar. 8, 2006 (ZA) A2006/0333

(51) **LOC (8) Cl.** **08-07**

(52) **U.S. Cl.** **D8/331**

(58) **Field of Classification Search** D8/330-348;
292/42, 126, 128, 175, 219, 226, DIG. 31,
292/DIG. 37, 336.3, 32, 333, 341.15, 39,
292/112, 29, 51, 199, 30; 70/84, 100, 121,
70/123

See application file for complete search history.

(56) **References Cited**

U.S. PATENT DOCUMENTS

D200,659 S * 3/1965 Buzard D8/341

5,542,720 A * 8/1996 Fleming 292/32
D396,397 S * 7/1998 Swan D8/331
5,951,068 A * 9/1999 Strong et al. 292/39
D449,511 S * 10/2001 Halvorson et al. D8/338
D525,111 S * 7/2006 Farrell et al. D8/331
7,228,719 B2 * 6/2007 Alchin et al. 70/84
2006/0130543 A1 * 6/2006 Alchin et al. 70/100
2007/0068205 A1 * 3/2007 Timothy 70/100

* cited by examiner

Primary Examiner—Mitchell Siegel

(74) *Attorney, Agent, or Firm*—Fulbright & Jaworski L.L.P.

(57) **CLAIM**

The ornamental design for a lock, as shown and described.

DESCRIPTION

FIG. 1 is a top front perspective view of a lock showing my design;

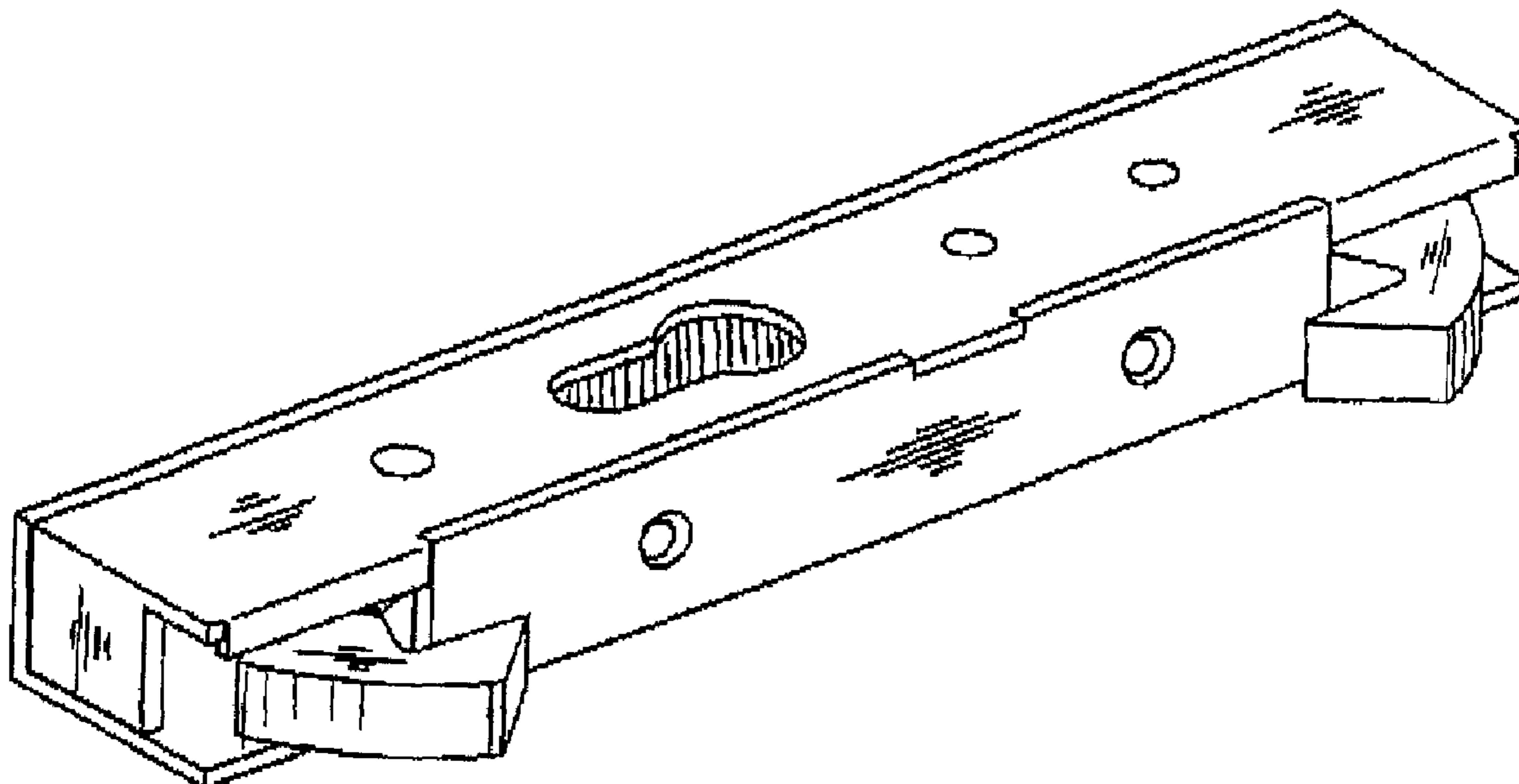
FIG. 2 is a front view of FIG. 1;

FIG. 3 is a top view of FIG. 1; and,

FIG. 4 is a side view of FIG. 1.

All other surface(s) or portion(s) of my design not shown in the figures or otherwise described in the specification form no part of the claimed design.

1 Claim, 2 Drawing Sheets



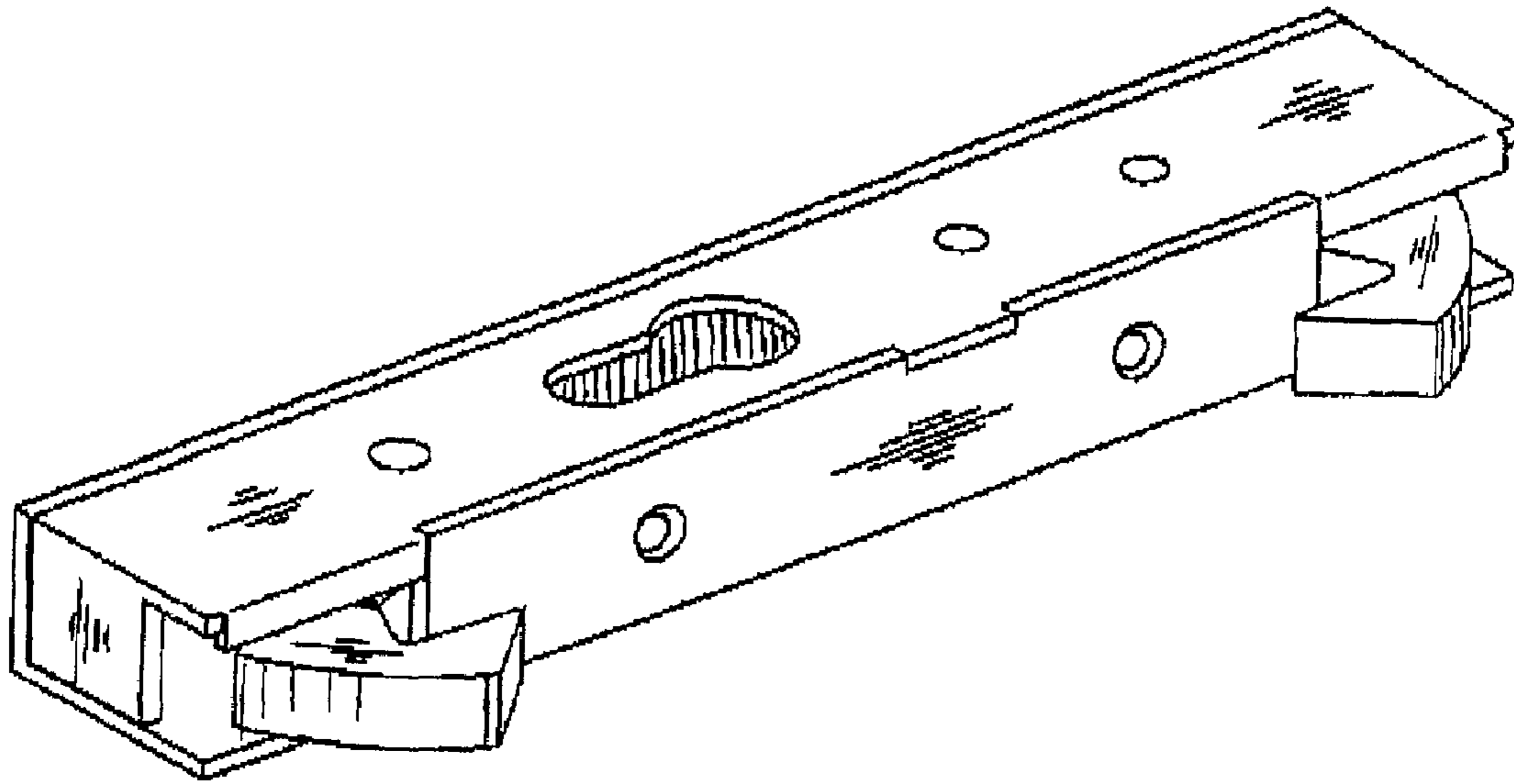


FIG. 1

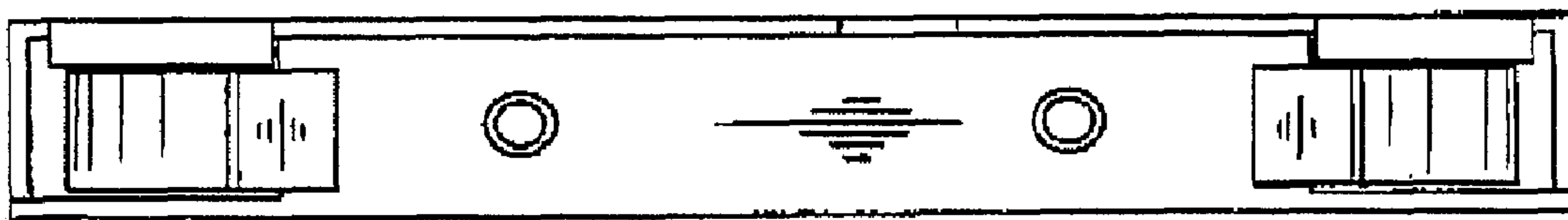


FIG. 2

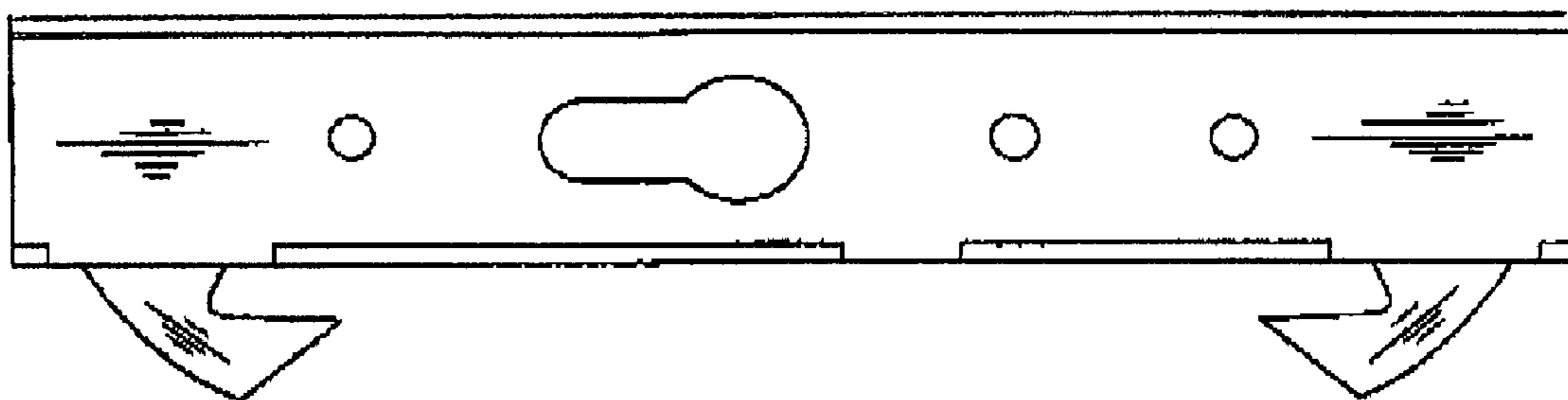


FIG. 3

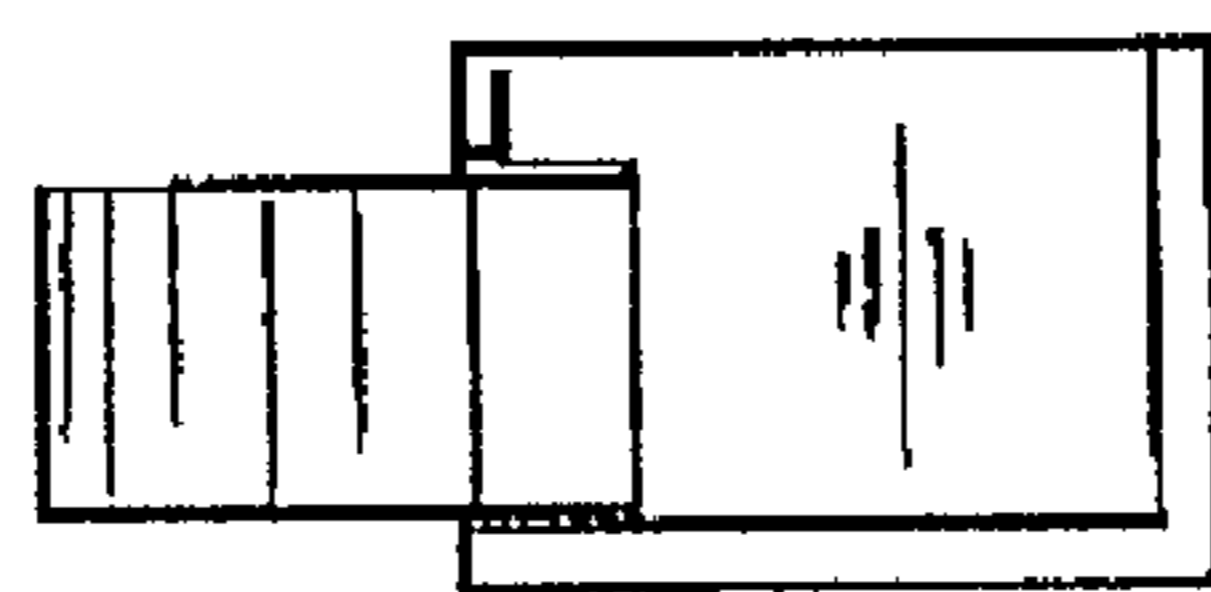


FIG. 4