



US00D560466S

(12) **United States Design Patent**
Nguyen et al.

(10) **Patent No.:** **US D560,466 S**
(45) **Date of Patent:** **** Jan. 29, 2008**

- (54) **COMPUTER RELEASE LATCH**
- (75) Inventors: **Minh H. Nguyen**, Houston, TX (US);
Alan B. Doerr, Houston, TX (US);
Qiang Wang, Houston, TX (US)
- (73) Assignee: **Hewlett-Packard Development Company, L.P.**, Houston, TX (US)
- (**) Term: **14 Years**
- (21) Appl. No.: **29/256,798**
- (22) Filed: **Mar. 24, 2006**
- (51) **LOC (8) Cl.** **08-07**
- (52) **U.S. Cl.** **D8/330**
- (58) **Field of Classification Search** D8/330-348;
D13/182, 184; 403/321, 322.1, 322.4, 329,
403/325, 327, 330; 312/223.1, 223.3; 211/175
See application file for complete search history.

- D434,395 S 11/2000 Mazzetti et al.
- 6,154,361 A 11/2000 Anderson et al.
- D442,151 S 5/2001 Mazzetti et al.
- 6,247,944 B1 6/2001 Bologna et al.
- D447,483 S 9/2001 Wu
- 6,302,714 B1 10/2001 Bologna et al.
- D454,881 S 3/2002 Daniels et al.

(Continued)

Primary Examiner—Mitchell Siegel

(57) **CLAIM**

The ornamental design for a computer release latch, as shown and described.

DESCRIPTION

FIG. 1 is a front view of the design for the computer release latch illustrated in a closed or latched position with respect to the broken line showing of the computer;

FIG. 2 is a perspective view of the design for the computer release latch illustrated in an open or unlatched position with respect to the broken line showing of the computer;

FIG. 3 is a rear perspective of the design for the computer release latch as illustrated in FIG. 2;

FIG. 4 is a right side elevational view of the design for the computer release latch as illustrated in FIG. 2, the undisclosed right side being a mirror image;

FIG. 5 is an enlarged perspective view of the design for the computer release latch; and,

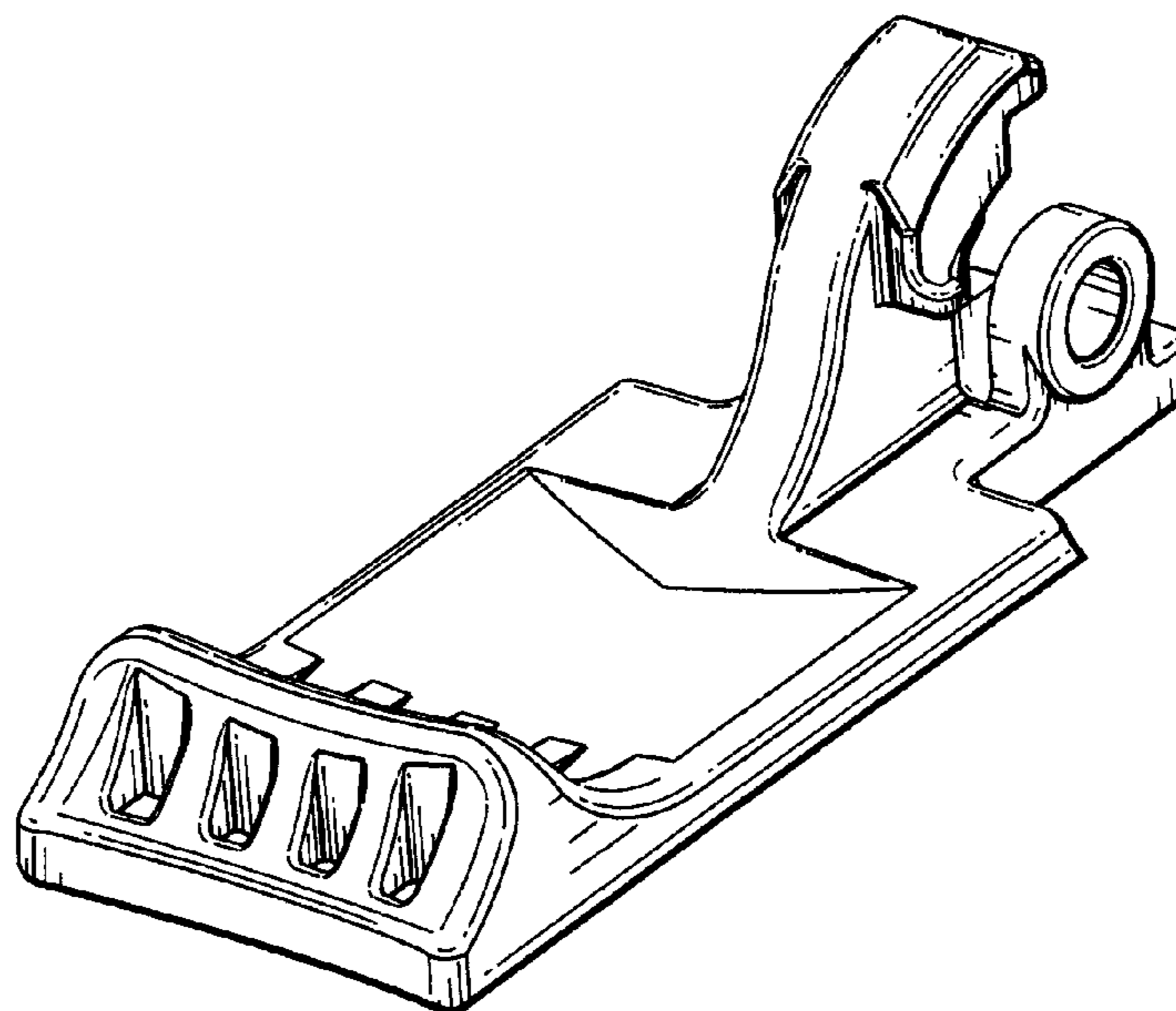
FIG. 6 is a rear perspective view of the design for the computer release latch as illustrated in FIG. 5.

The broken line showing of the computer is included for the purpose of illustrating and forms no part of the claimed design.

(56) **References Cited**
U.S. PATENT DOCUMENTS

- D308,671 S 6/1990 Aderman et al.
- 4,941,841 A 7/1990 Darden et al.
- D338,662 S 8/1993 Sharp
- D348,051 S 6/1994 Noble
- D362,433 S 9/1995 Chen
- D399,193 S 10/1998 Chang
- D401,569 S 11/1998 Massaro
- D409,592 S 5/1999 Prestigomo
- D409,593 S 5/1999 Prestigomo
- D410,912 S 6/1999 Bloch et al.
- 6,000,769 A 12/1999 Chen
- D419,147 S 1/2000 Tanzer et al.
- 6,052,278 A 4/2000 Tanzer et al.
- D428,014 S 7/2000 Bostedt et al.
- 6,088,221 A 7/2000 Bologna
- D431,245 S 9/2000 Searby et al.

1 Claim, 5 Drawing Sheets



US D560,466 S

Page 2

U.S. PATENT DOCUMENTS

D455,152 S	4/2002	Caughlan et al.	D473,197 S	4/2003	Bovell
D455,153 S	4/2002	Gant et al.	D474,186 S	5/2003	Frank et al.
D455,154 S	4/2002	Daniels et al.	D476,631 S	7/2003	Frank et al.
D455,752 S	4/2002	Gant et al.	6,603,657 B2	8/2003	Tanzer et al.
D455,753 S	4/2002	Daniels et al.	D481,393 S	10/2003	Alo et al.
D455,754 S	4/2002	Gant et al.	D481,394 S	10/2003	Kuehn et al.
D458,924 S	6/2002	Tsuyuki et al.	D485,278 S	1/2004	Wang et al.
D460,457 S	7/2002	Caughlan et al.	D491,570 S	6/2004	Fan et al.
D461,807 S	8/2002	Kuehn et al.	6,891,723 B1	5/2005	Lin et al.
D461,816 S	8/2002	Caughlan et al.	D506,201 S	6/2005	McClelland et al.
D462,075 S	8/2002	Hillyard et al.	D507,000 S	7/2005	Wang
6,442,021 B1	8/2002	Bologna et al.	D514,109 S	1/2006	McClelland, II et al.
D464,056 S	10/2002	Skandalis	D514,113 S	1/2006	McClelland, II et al.
6,473,300 B1	10/2002	Youngquist et al.	D517,560 S	3/2006	Wang et al.
D470,486 S	2/2003	Cheng	7,134,802 B2 *	11/2006	Doerr et al. 403/322.1

* cited by examiner

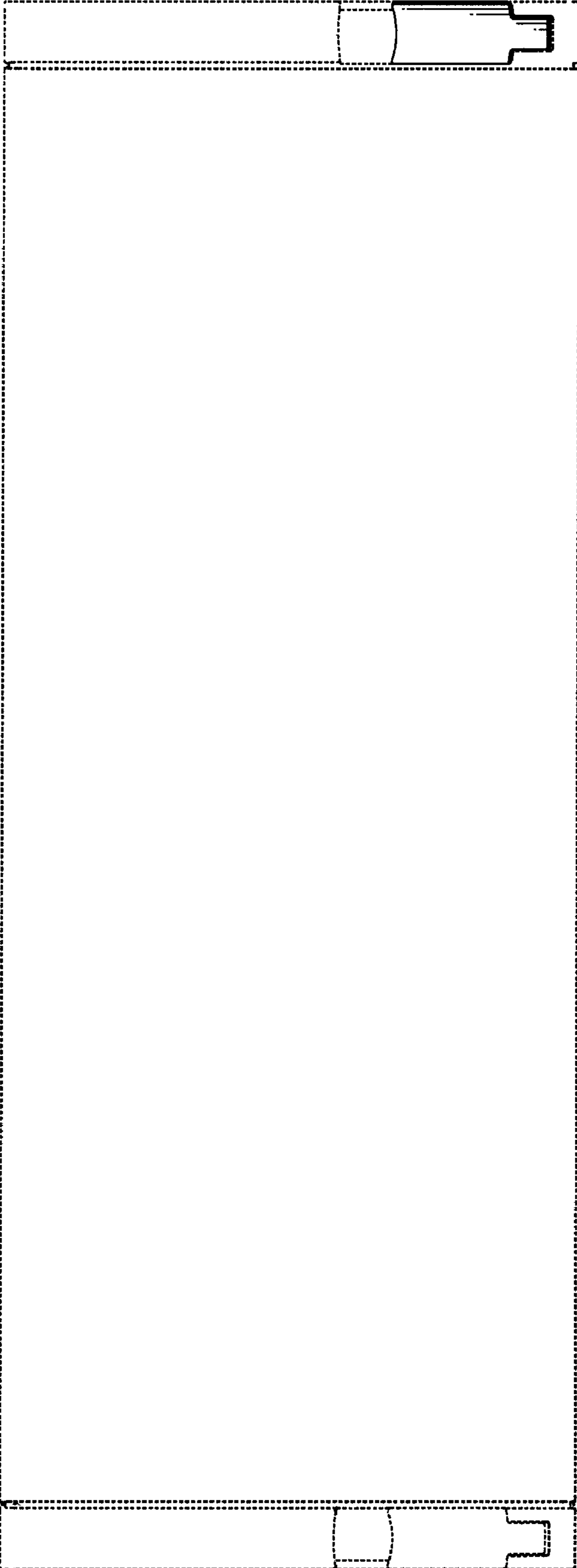


FIG. 1

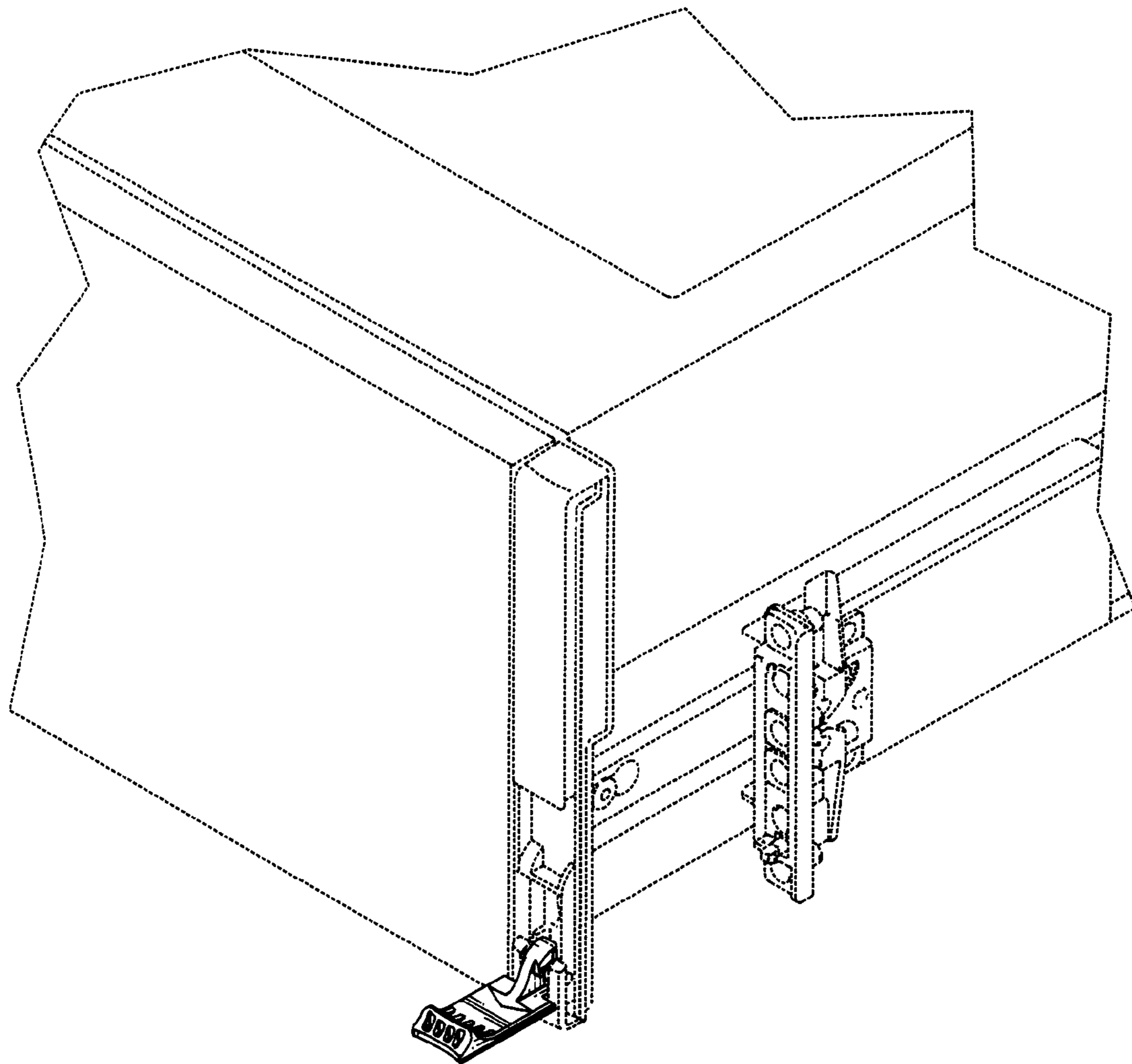


FIG. 2

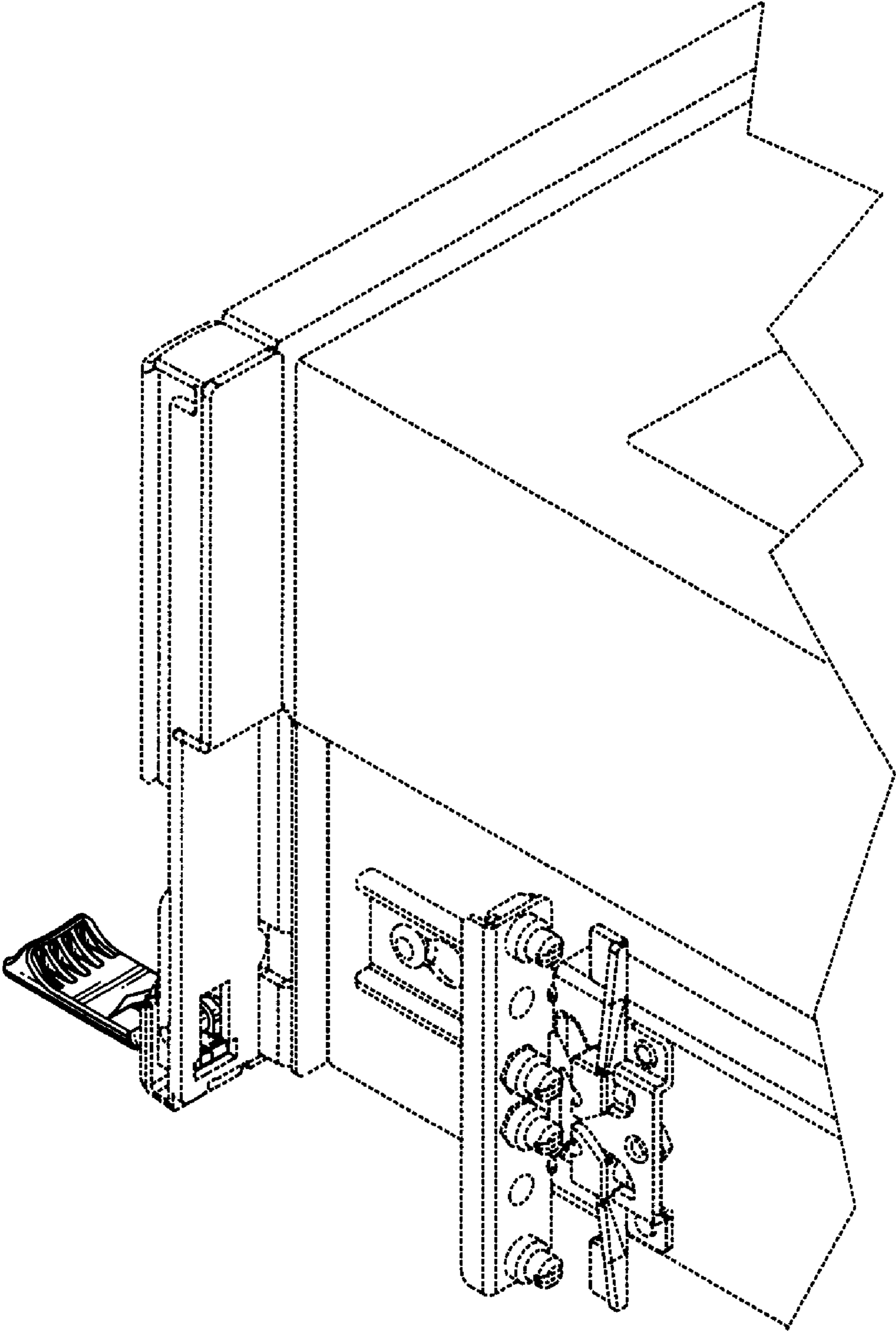


FIG. 3

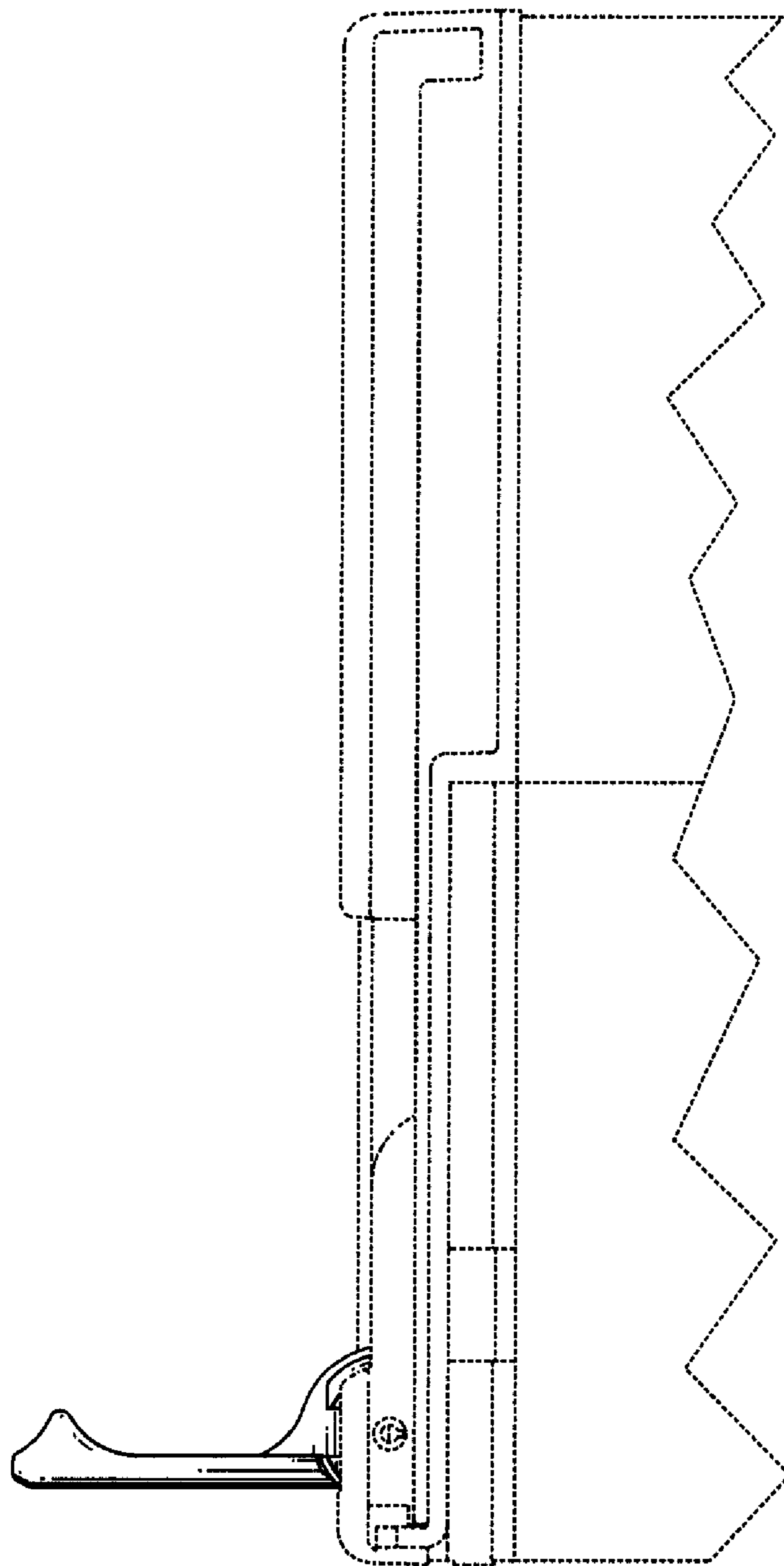


FIG. 4

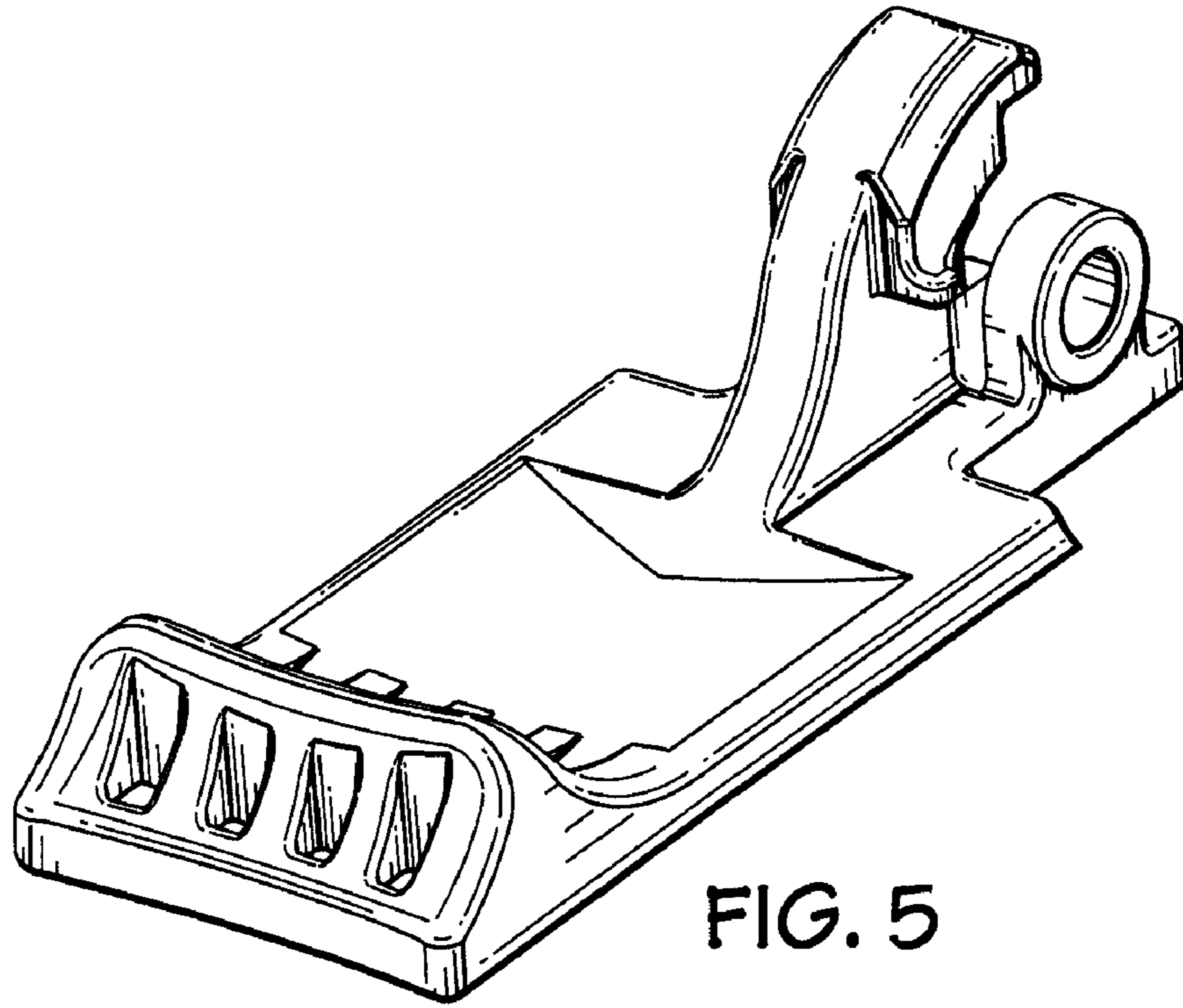


FIG. 5

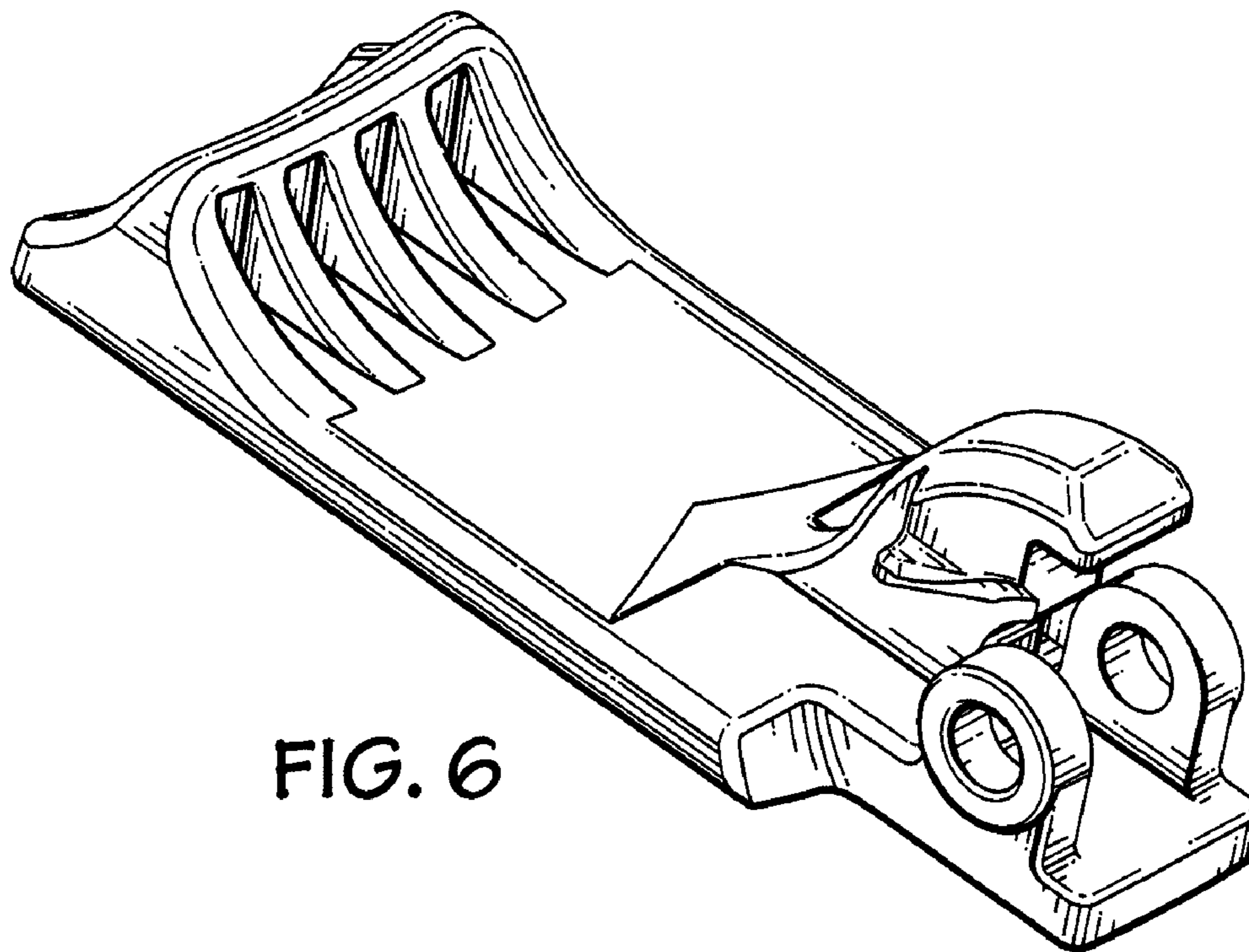


FIG. 6