



US00D560465S

(12) **United States Design Patent**
Faust, III

(10) **Patent No.:** **US D560,465 S**
(45) **Date of Patent:** **** Jan. 29, 2008**

(54) **ELLIPTICAL SNAP HANDLE ASSEMBLY**
(75) Inventor: **Valentine T. Faust, III**, Bow, NH (US)
(73) Assignee: **Symmetry Medical, Inc.**, Warsaw, IN (US)

2,790,585 A * 4/1957 Smith 294/158
D183,489 S * 9/1958 Hvale D7/394
3,262,727 A * 7/1966 Blackaby 294/170
3,306,507 A * 2/1967 Wilson 294/169
3,407,988 A * 10/1968 Wapner 16/406
D452,806 S * 1/2002 King D8/321

(**) Term: **14 Years**
(21) Appl. No.: **29/218,414**
(22) Filed: **Dec. 2, 2004**

* cited by examiner
Primary Examiner—Paula A. Greene
(74) *Attorney, Agent, or Firm*—Taylor & Aust, P.C.

(51) **LOC (8) Cl.** **08-06**
(52) **U.S. Cl.** **D8/316; D9/434**
(58) **Field of Classification Search** D8/107,
D8/300, 303, 316, 321; D7/393–395; D9/434;
D3/203.1, 203.7; 16/406, DIG. 12; 294/15,
294/33, 145, 158, 165, 169, 170–171; 138/109,
138/141, 151

(57) **CLAIM**
The ornamental design for an elliptical snap handle assembly, as shown and described.

See application file for complete search history.

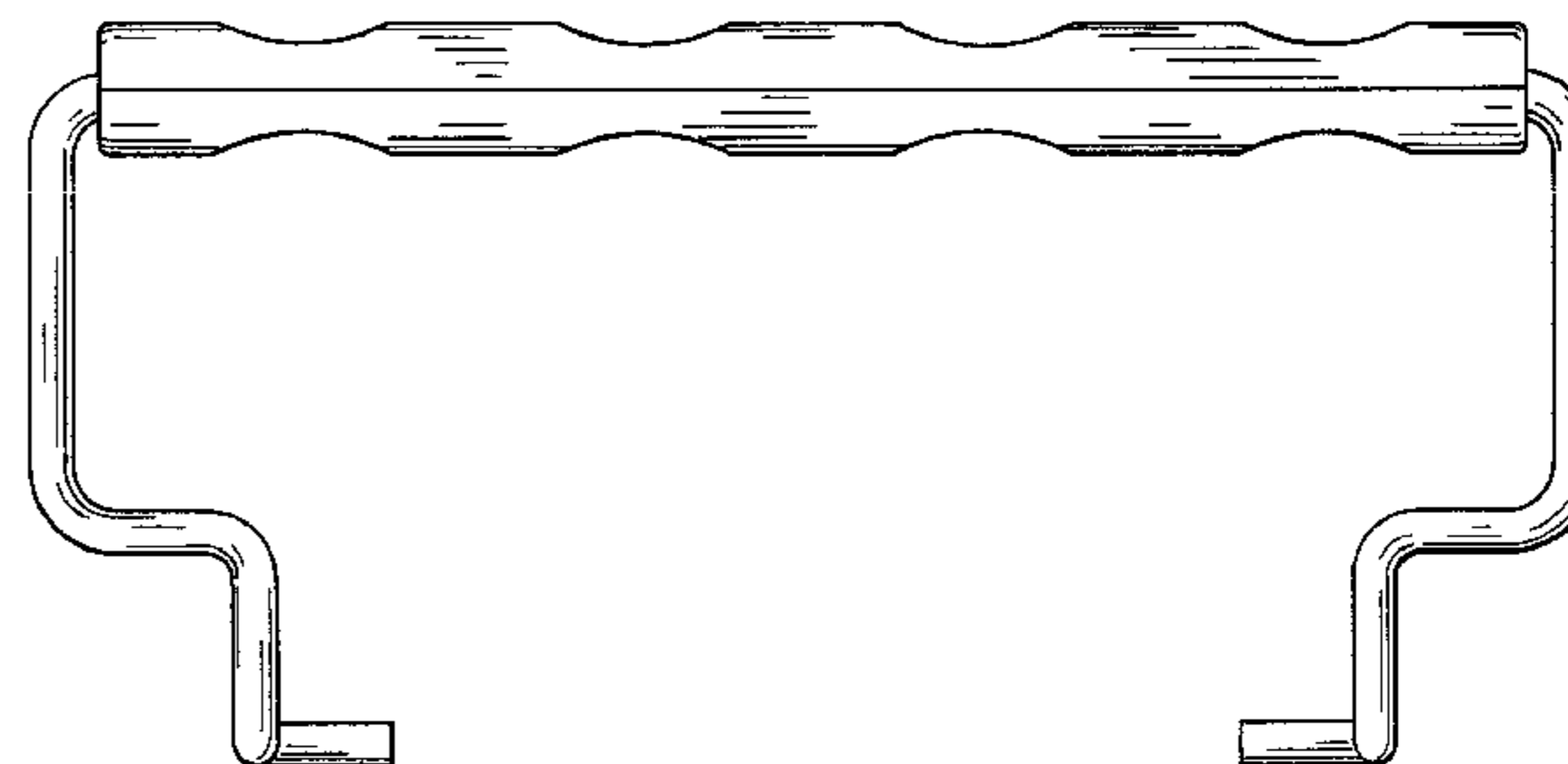
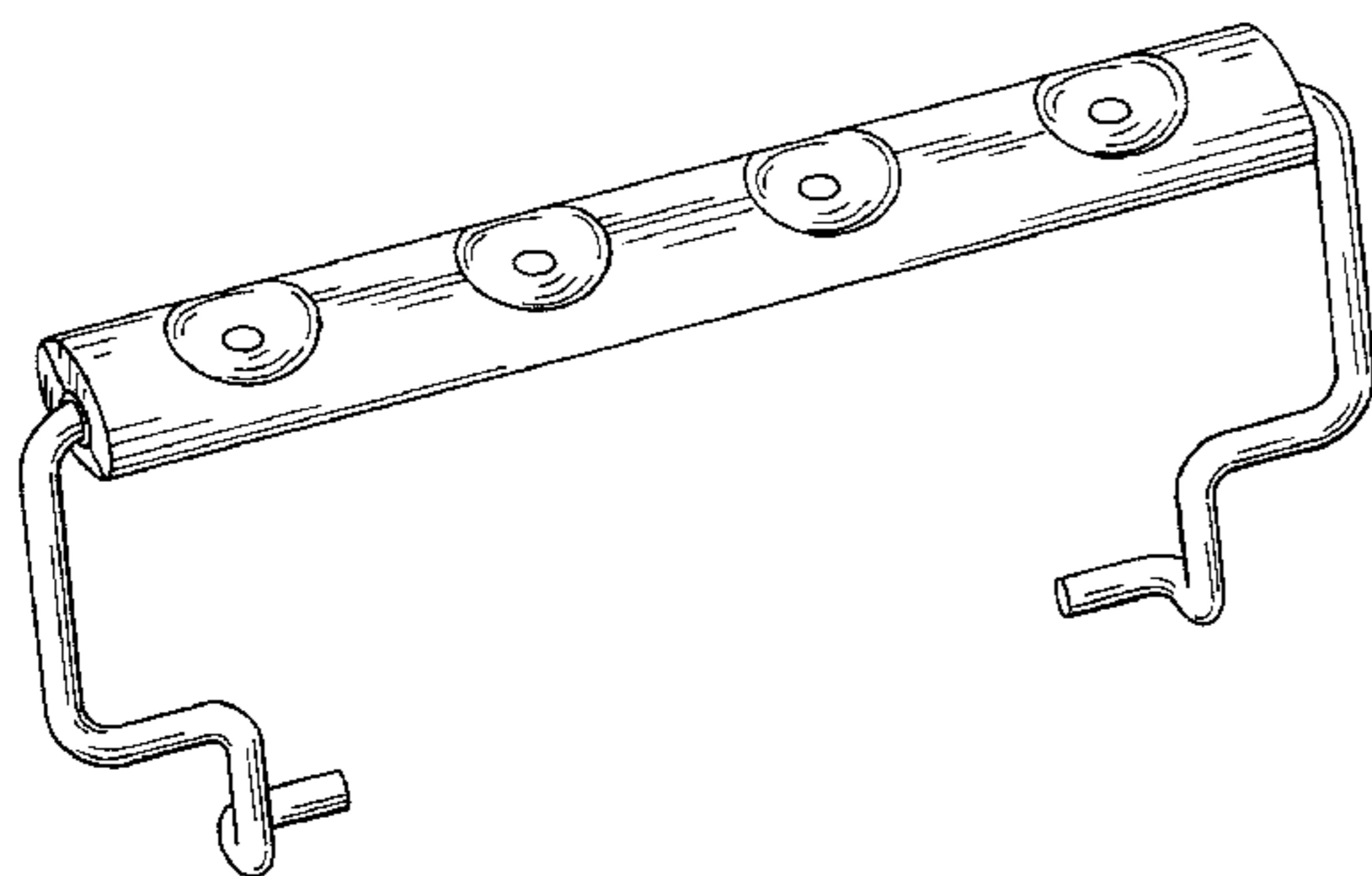
DESCRIPTION

FIG. 1 is a perspective view of an elliptical snap handle assembly showing my new design;
FIG. 2 is a front view thereof;
FIG. 3 is a rear view thereof;
FIG. 4 is a bottom view thereof;
FIG. 5 is a top view thereof; and,
FIG. 6 is an end view thereof, the opposite end view being substantially identical.

(56) **References Cited**
U.S. PATENT DOCUMENTS

645,317 A * 3/1900 Flanders 294/170
759,056 A * 5/1904 Woodman 294/170
1,442,955 A * 1/1923 Lane 138/151
1,716,236 A * 6/1929 Minyard 294/33
2,716,516 A * 8/1955 Weston 294/165

1 Claim, 2 Drawing Sheets



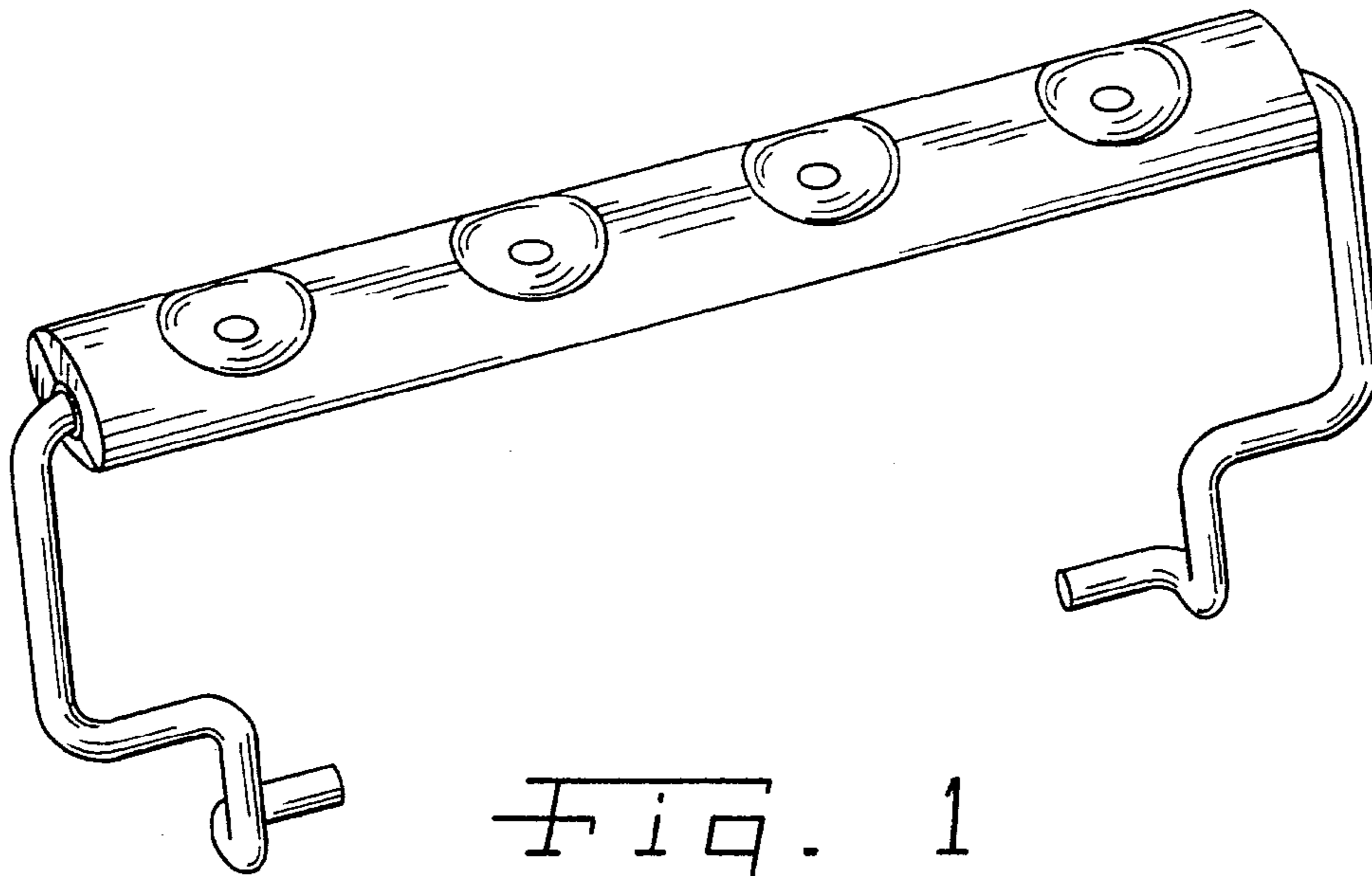


Fig. 1

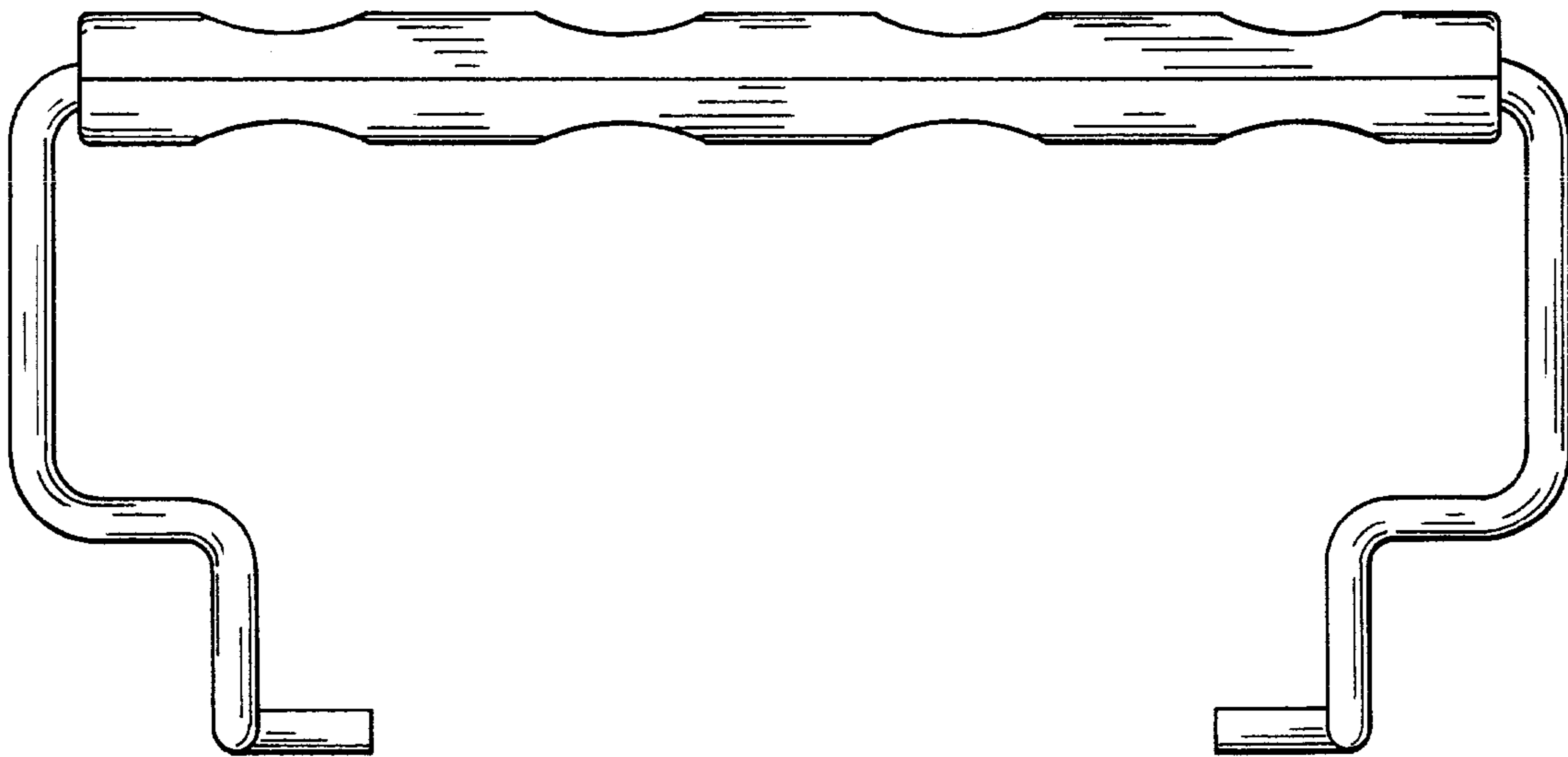


Fig. 2

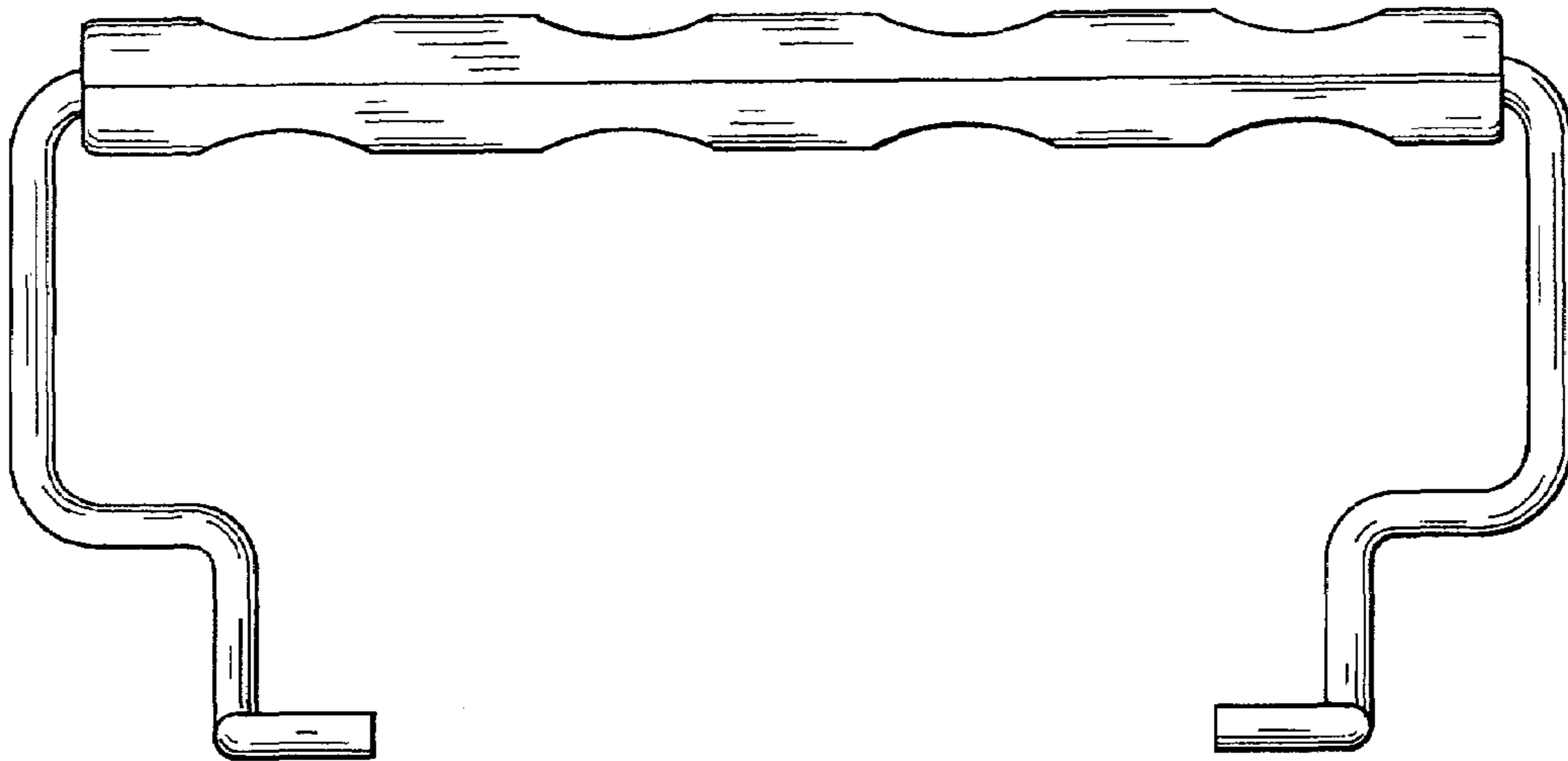


Fig. 3

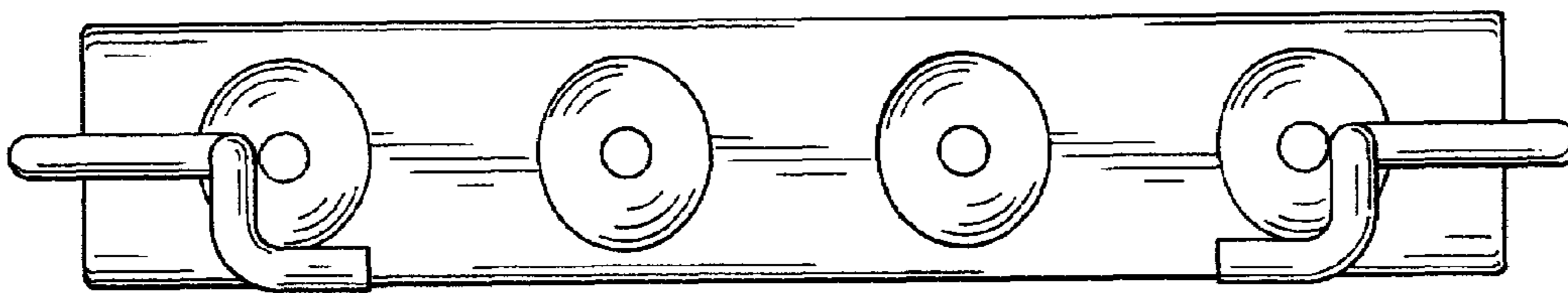


Fig. 4

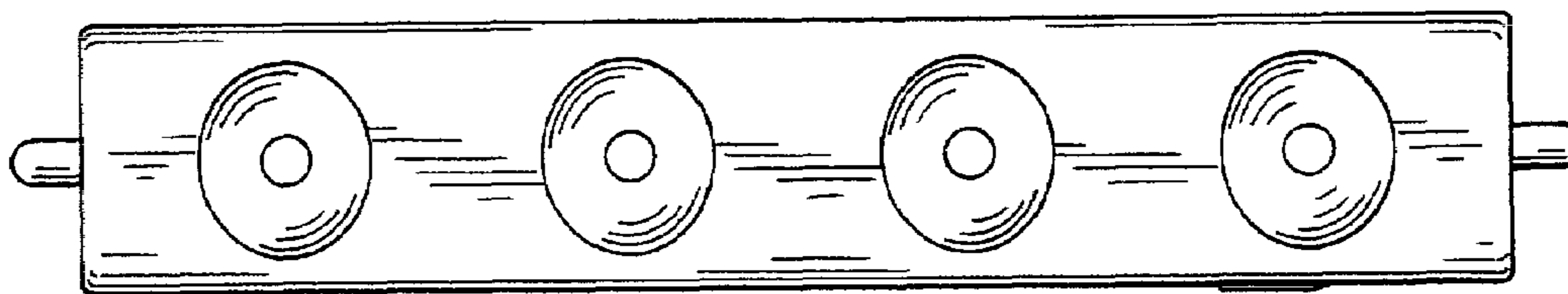


Fig. 5

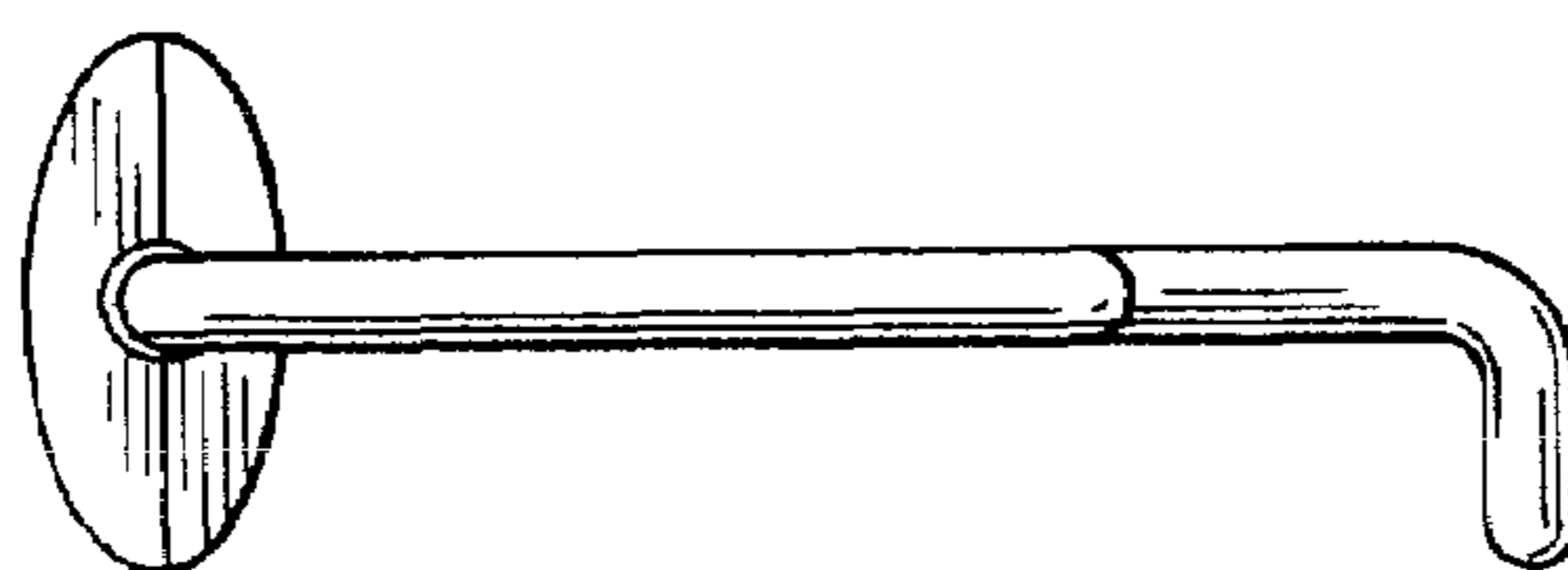


Fig. 6