



US00D560464S

(12) **United States Design Patent**
Rexach

(10) **Patent No.:** **US D560,464 S**
(45) **Date of Patent:** **** Jan. 29, 2008**

(54) **HANDLE**

(75) Inventor: **Rafael A. Rexach**, Kohler, WI (US)

(73) Assignee: **Kohler Co.**, Kohler, WI (US)

(**) Term: **14 Years**

(21) Appl. No.: **29/250,592**

(22) Filed: **Nov. 22, 2006**

(51) **LOC (8) Cl.** **08-06**

(52) **U.S. Cl.** **D8/308; D23/252**

(58) **Field of Classification Search** D8/107,
D8/300, 301, 307, 310, 311, 308, 320, DIG. 1,
D8/DIG. 2, DIG. 3, DIG. 5, DIG. 7, DIG. 10;
D23/250-254, 240; D7/395, 649; 4/675-678;
16/110.1, 412, 414

See application file for complete search history.

(56) **References Cited**

U.S. PATENT DOCUMENTS

D81,466 S *	6/1930	Schnelle	D8/308
D83,158 S *	1/1931	Graff	D8/308
2,104,403 A *	1/1938	Roethel	292/357
D127,520 S *	5/1941	Kevorkian	D7/650
D131,217 S *	1/1942	Braun	D8/308
D164,372 S *	8/1951	Lewis	D7/395
D182,320 S *	3/1958	Young et al.	D7/649
D192,592 S *	4/1962	Kawolics	D23/252
D319,000 S *	8/1991	Pechar	D8/301
D457,415 S *	5/2002	Caspersz	D8/308

OTHER PUBLICATIONS

Chicago Faucets. "Deck Mounted Sink Faucet" Model No. 895-CP with lever handles. Model No. 369. Copyright 2003 The Chicago Faucet Company.

Kallista. Michael S Smith Collection. "For Town" Basin Set with Lever Handles. Model No. P22700-LV-LX. Kallista catalog. Copyright 2001 by Kallista, Inc.

Kohler Co. "Paradox" undercounter lavatory. Model No. K-2817. Kohler Co. online catalog. Copyright 2007 Kohler Co.

Kohler Co. "AlternA". Kohler Co. "The Bold Look of Kohler" catalog. p. 4.20. Copyright 2004 by Kohler Co.

Harden. "79 Series". p. 47. Harden catalog, dated Aug. 1989.

* cited by examiner

Primary Examiner—Paula A. Greene

(74) *Attorney, Agent, or Firm*—Quarles & Brady LLP

(57) **CLAIM**

The ornamental design for a handle, as shown and described.

DESCRIPTION

In a preferred embodiment, the nature of this product is a handle for a plumbing fitting such as a shower water control or a faucet.

FIG. 1 is a left, top, front perspective view of a handle embodying my new design;

FIG. 2 is a top plan view thereof;

FIG. 3 is a front elevational view thereof, the rear elevational view thereof being a mirror image of the front view;

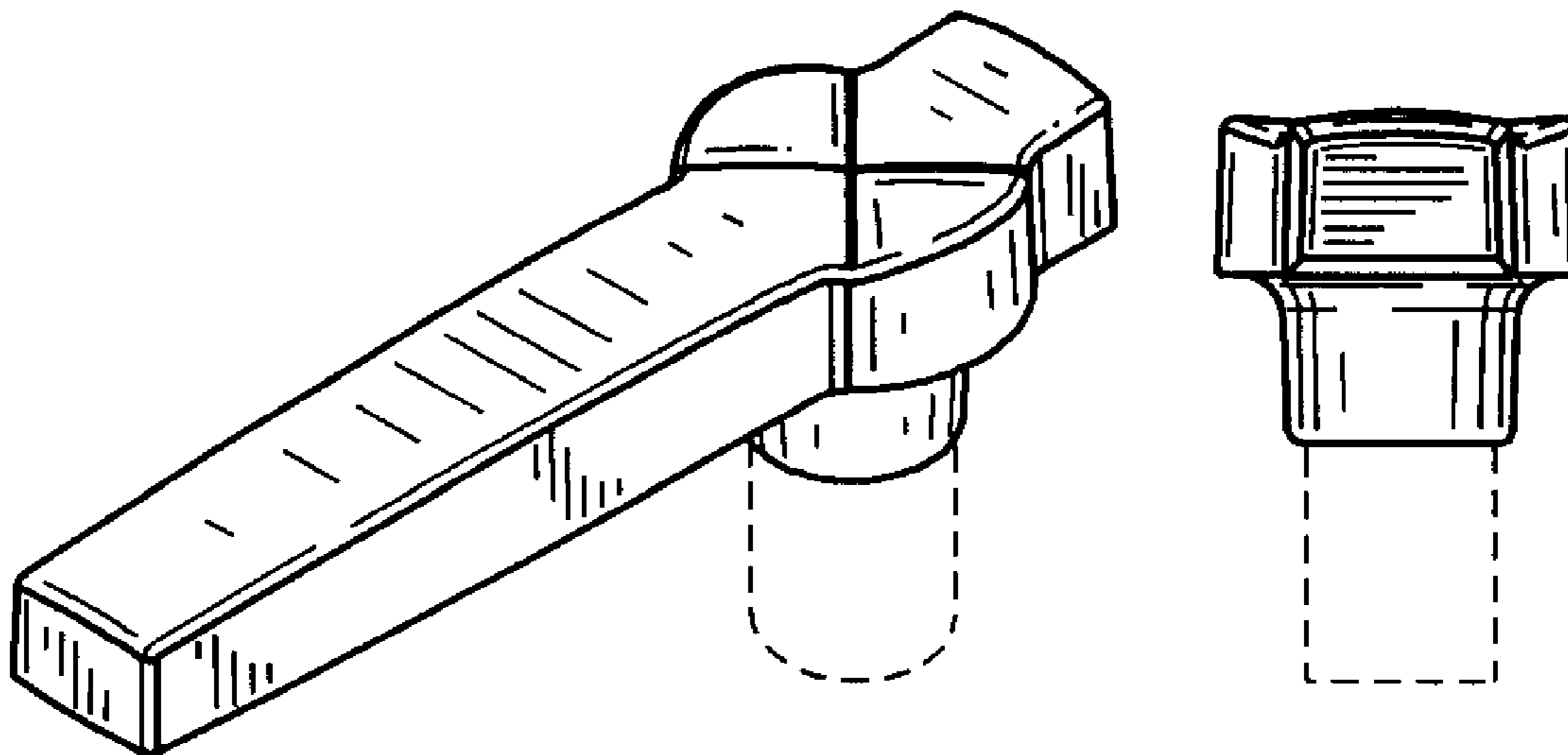
FIG. 4 is a left side elevational view thereof;

FIG. 5 is a right side elevational view thereof; and,

FIG. 6 is a bottom plan view thereof.

The broken line representations of post environment in FIGS. 1, 3, 4 and 5 and of an opening in FIG. 6 are for the purpose of illustration only, and forms no part of the claimed design.

1 Claim, 3 Drawing Sheets



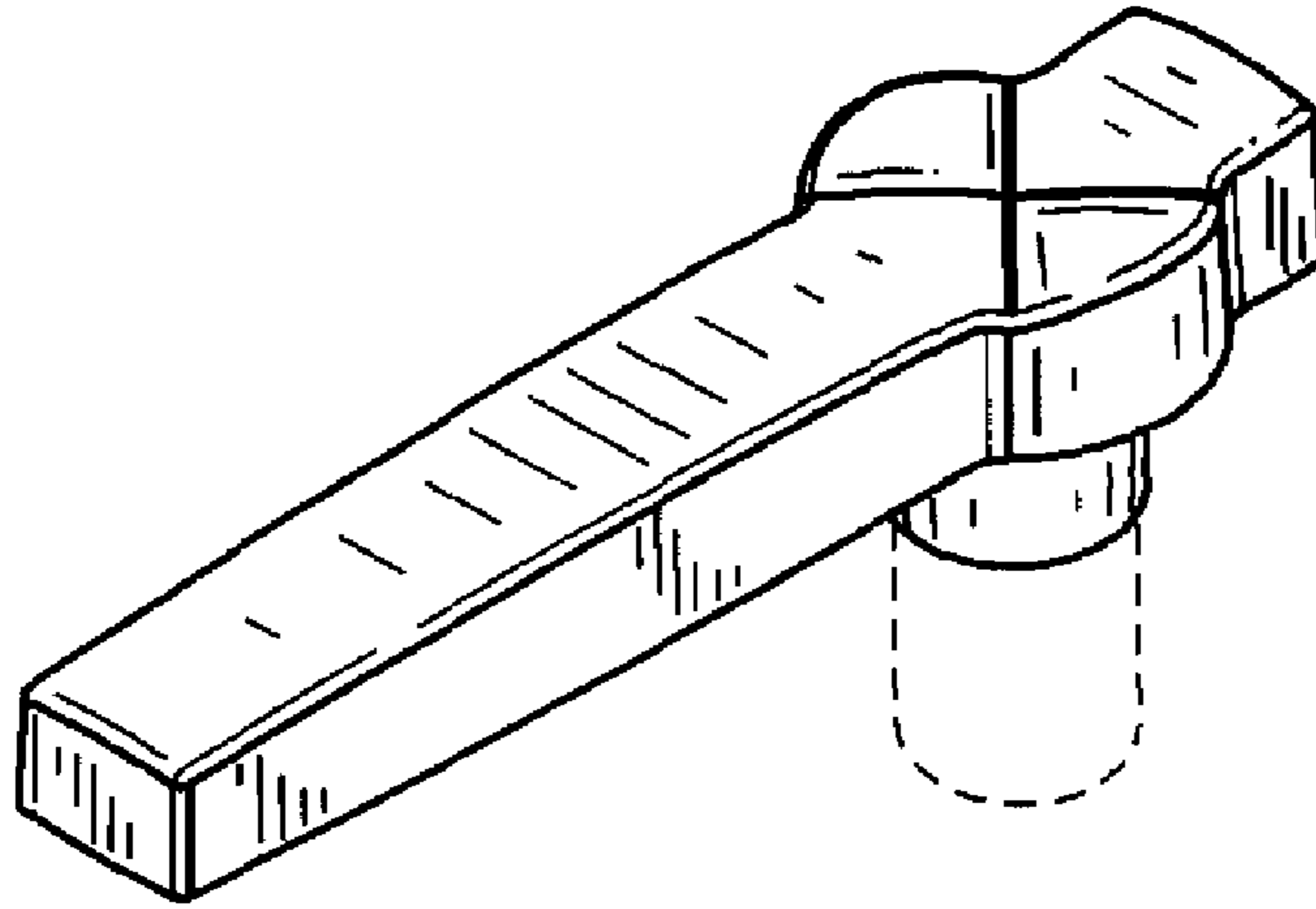


FIG. 1

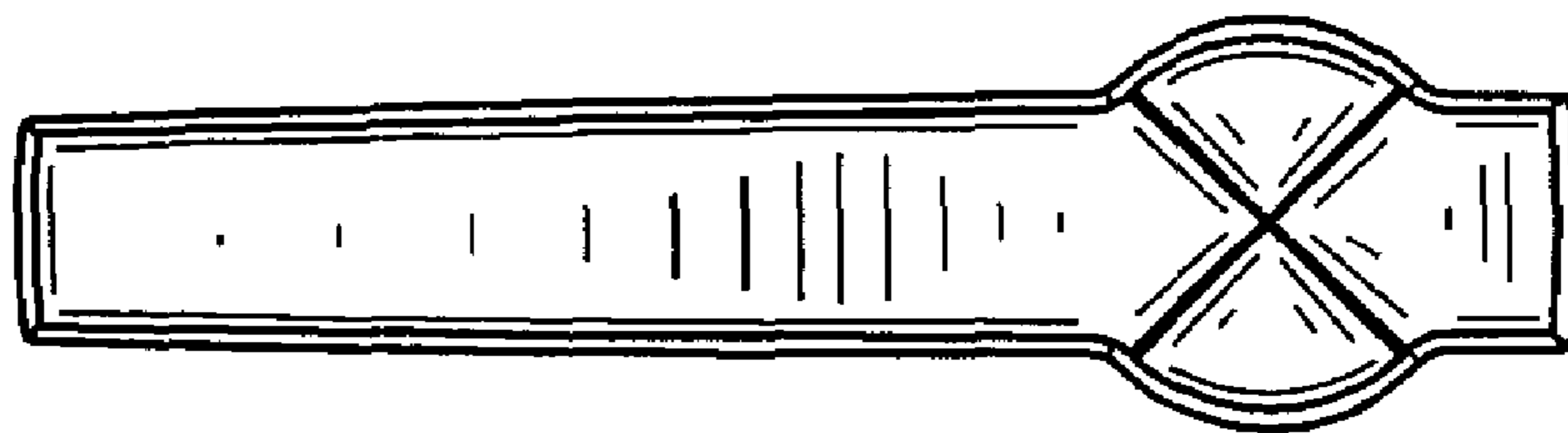


FIG. 2

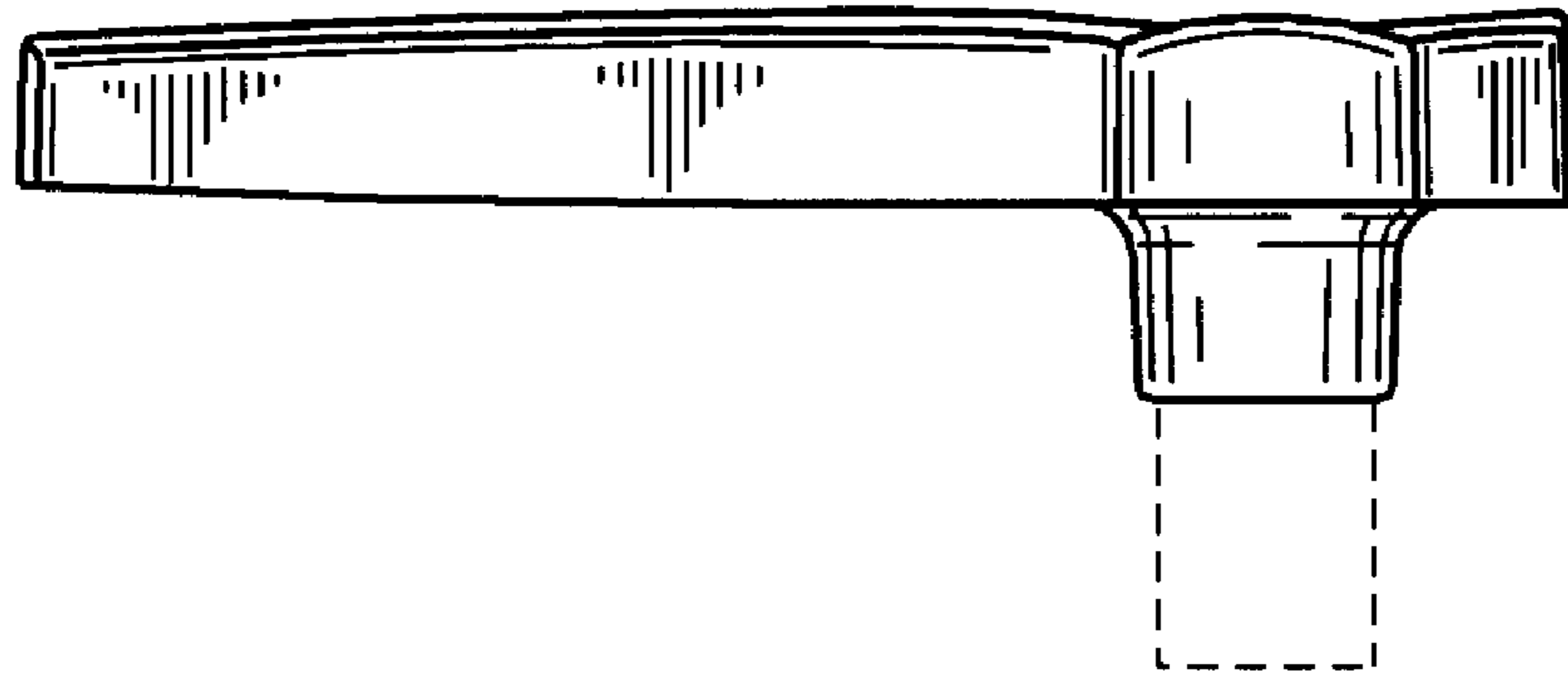


FIG. 3

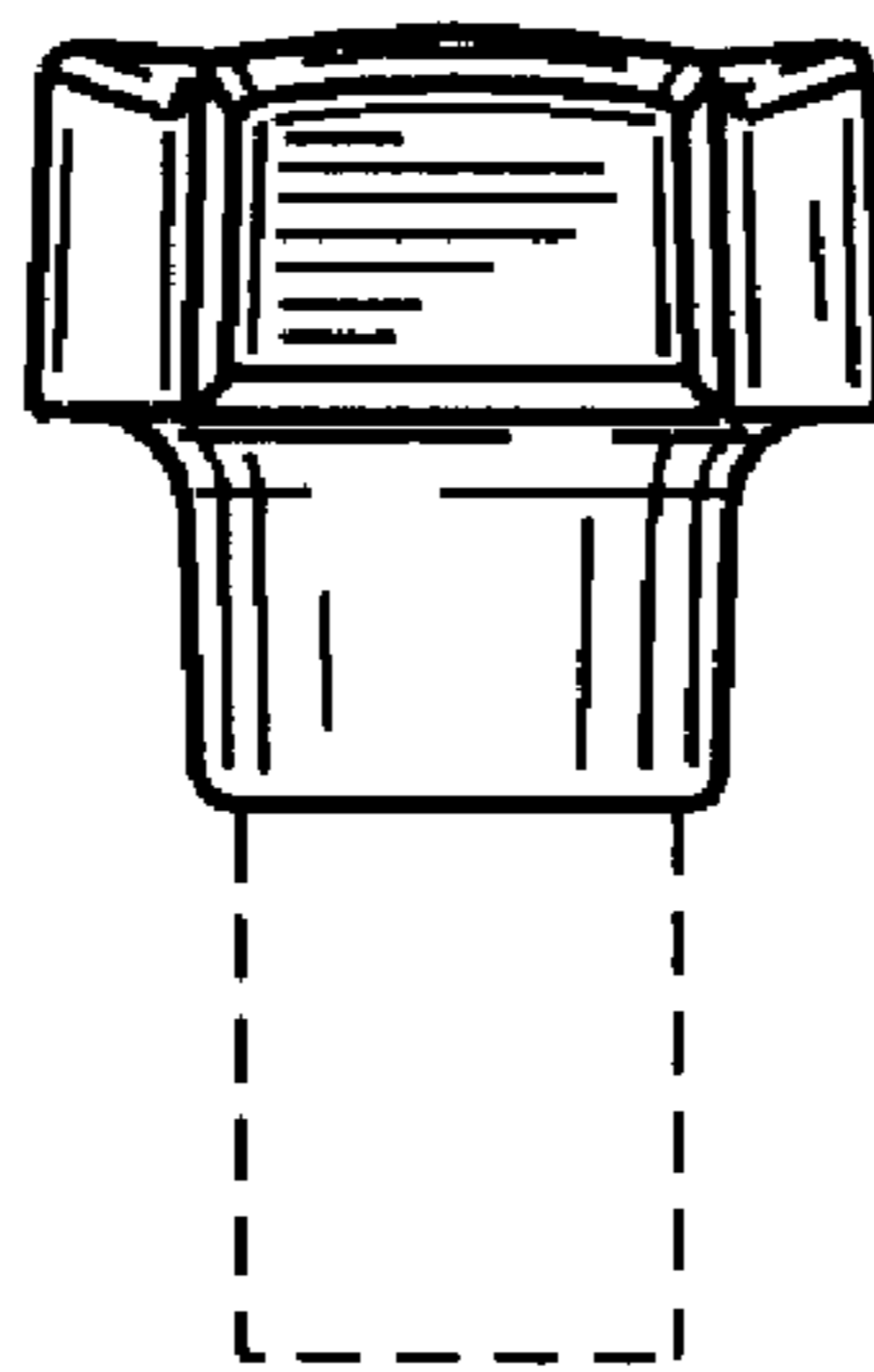


FIG. 4

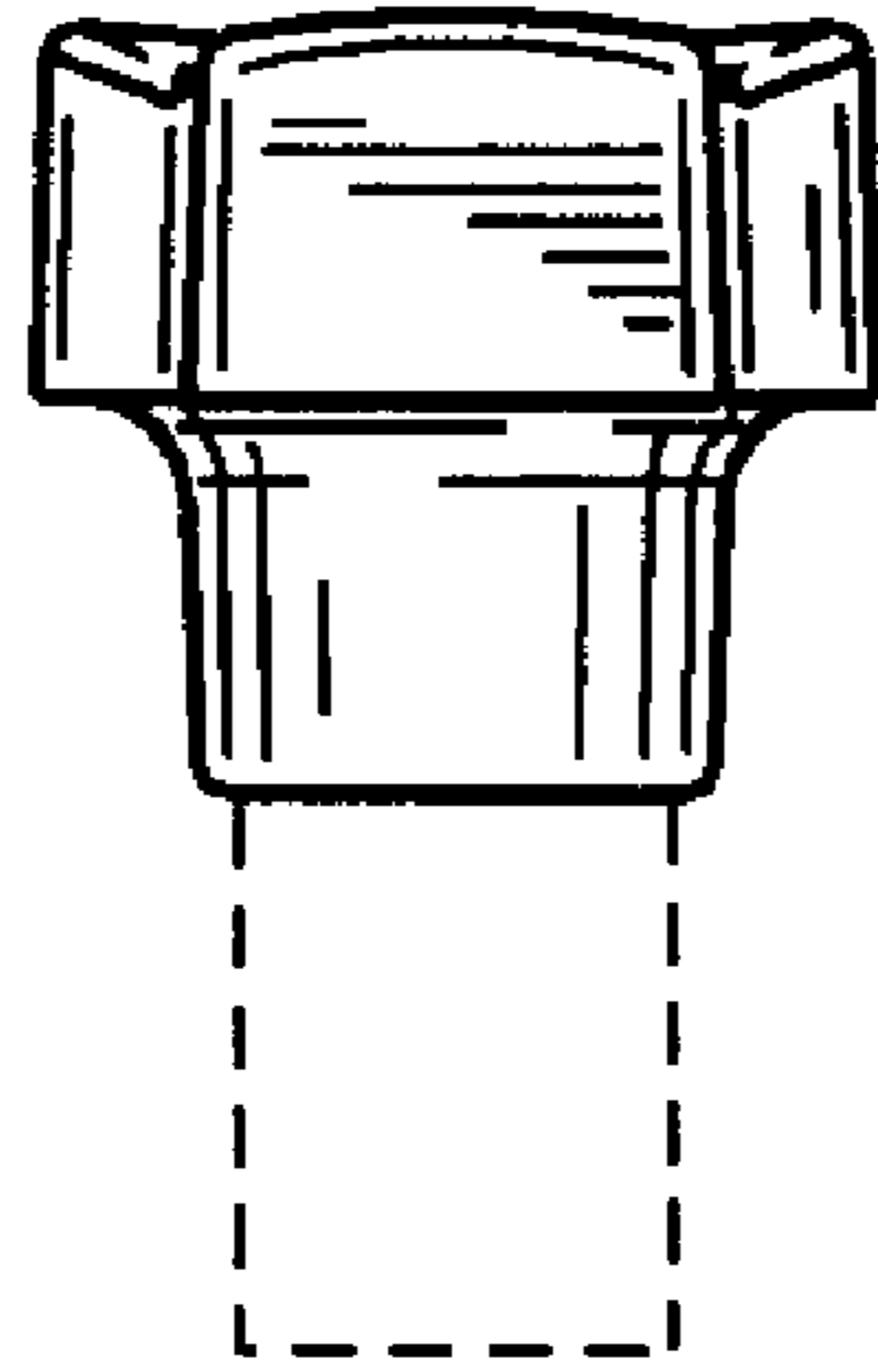


FIG. 5

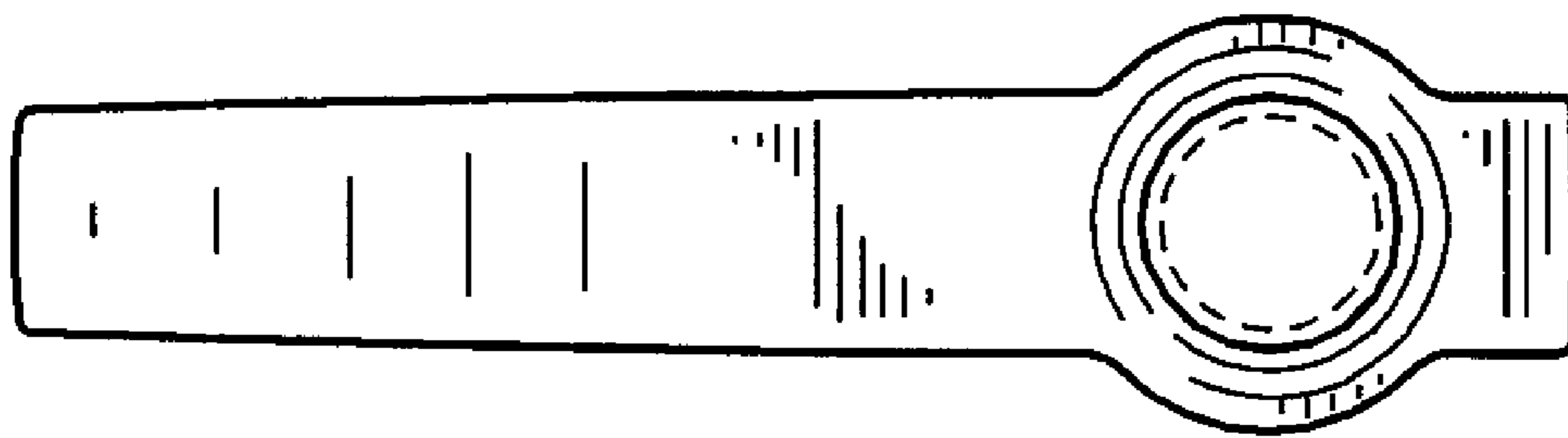


FIG. 6