



US00D560459S

(12) **United States Design Patent** (10) **Patent No.:** **US D560,459 S**
Cho (45) **Date of Patent:** **** Jan. 29, 2008**

(54) **SEGMENT TIP FOR A SAW BLADE**
 (76) Inventor: **Chang Shin Cho**, 106-801 Shinmyeong
 Apt. 312-2 Bulno-Dong, Seo-Gu,
 Incheon City (KR)

(**) Term: **14 Years**

(21) Appl. No.: **29/275,771**

(22) Filed: **Jan. 5, 2007**

(30) **Foreign Application Priority Data**

Dec. 14, 2006 (KR) 30-2006-0049785

(51) **LOC (8) Cl.** **08-03**
 (52) **U.S. Cl.** **D8/70**
 (58) **Field of Classification Search** D8/5-9,
 D8/16, 19, 20, 61-71, 90, 98, 99; D15/7,
 D15/15, 17, 29, 77, 78, 124-140; 30/346,
 30/347; 83/478, 676, 834, 835, 839, 848,
 83/852, 854, 855; 125/15, 18; 144/230,
 144/231; 451/41, 47, 56, 324, 443, 451,
 451/523, 533, 544, 545, 547, 548-551; 407/51,
 407/118

See application file for complete search history.

(56) **References Cited**

U.S. PATENT DOCUMENTS

1,554,844 A * 9/1925 Fulper 125/15
 2,714,317 A * 8/1955 Drake 76/112
 3,283,488 A * 11/1966 Franklin 56/295
 3,971,113 A * 7/1976 Budke et al. 407/118
 4,173,914 A * 11/1979 Vollmer et al. 83/848
 4,407,263 A * 10/1983 Murata 125/15
 D296,980 S * 8/1988 Chaconas D8/70
 4,860,722 A * 8/1989 Veglio 125/15
 D320,543 S * 10/1991 Gilbert D8/70
 5,868,125 A * 2/1999 Maoujoud 125/15
 D446,529 S * 8/2001 Park D15/139

D456,425 S * 4/2002 Kim D15/139
 D458,619 S * 6/2002 Lee et al. D15/139
 D481,045 S * 10/2003 Ahn D15/139
 6,845,767 B2 * 1/2005 Sakarcan 125/15
 D513,952 S * 1/2006 Lee et al. D8/70
 D526,553 S * 8/2006 Um D8/70
 D541,126 S * 4/2007 Cho D8/74
 2003/0181144 A1 * 9/2003 Mujumdar et al. 451/41

* cited by examiner

Primary Examiner—T. Chase Nelson

Assistant Examiner—Karen Acker

(74) *Attorney, Agent, or Firm*—Grossman, Tucker, Perrault
 & Pleger, PLLC

(57) **CLAIM**

The ornamental design for the segment tip for a saw blade,
 as shown and described.

DESCRIPTION

FIG. 1 is a perspective view of the segment tip for a saw
 blade of the present invention;

FIG. 2 is a front view thereof;

FIG. 3 is a rear view thereof;

FIG. 4 is left side view thereof;

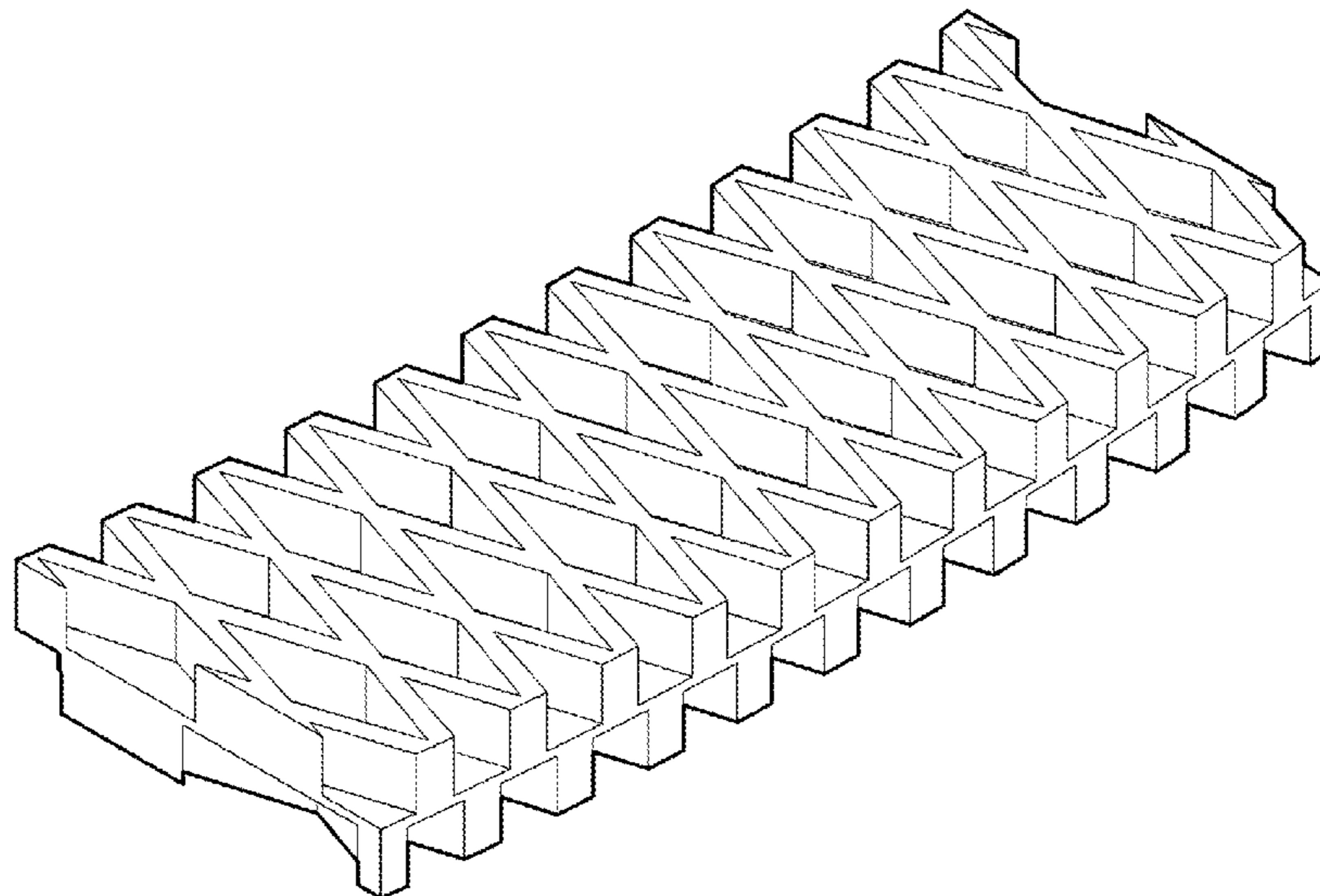
FIG. 5 is a right side view thereof;

FIG. 6 is a top view thereof;

FIG. 7 is a bottom view thereof; and,

FIG. 8 is a perspective view of a segment tip for a saw blade
 arranged on a saw blade with the saw blade and other
 segment tips for a saw blade shown in broken lines to
 illustrate the environment related to the claimed design. The
 broken line showing of replications of the claimed design
 and environmental structure are for illustration only and
 form no part of the claimed design.

1 Claim, 4 Drawing Sheets



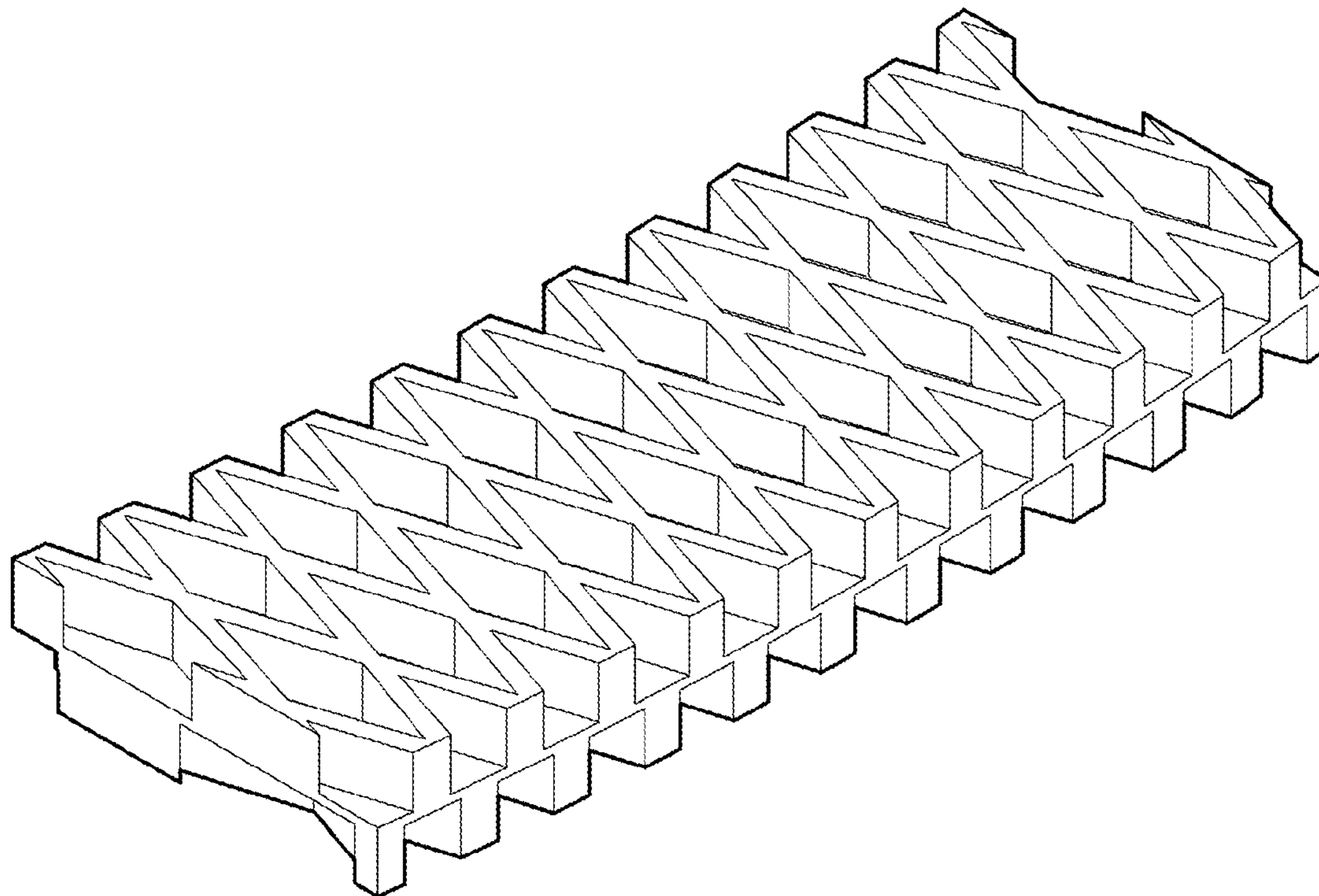


FIG. 1

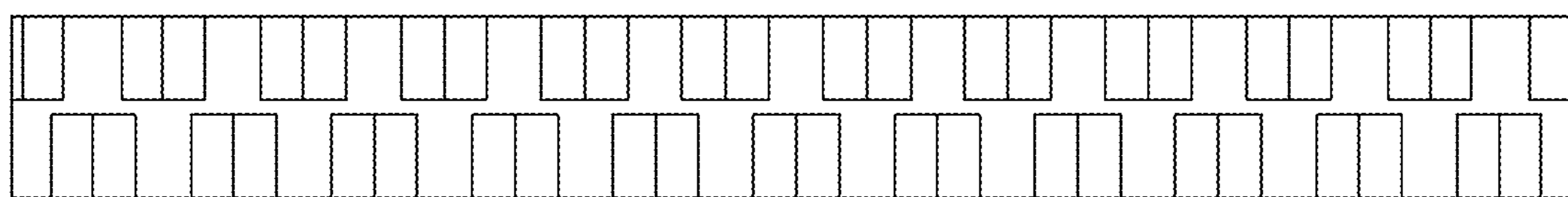


FIG. 2

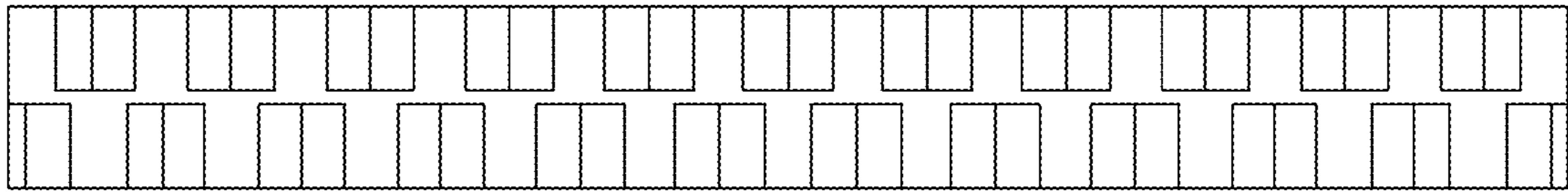


FIG. 3

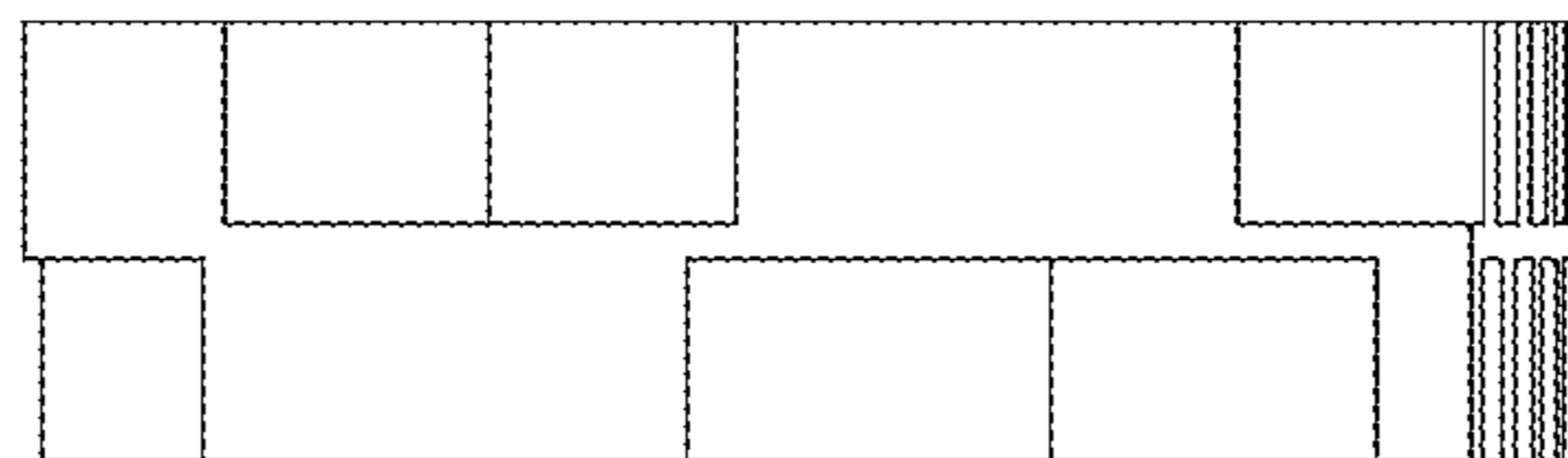


FIG. 4

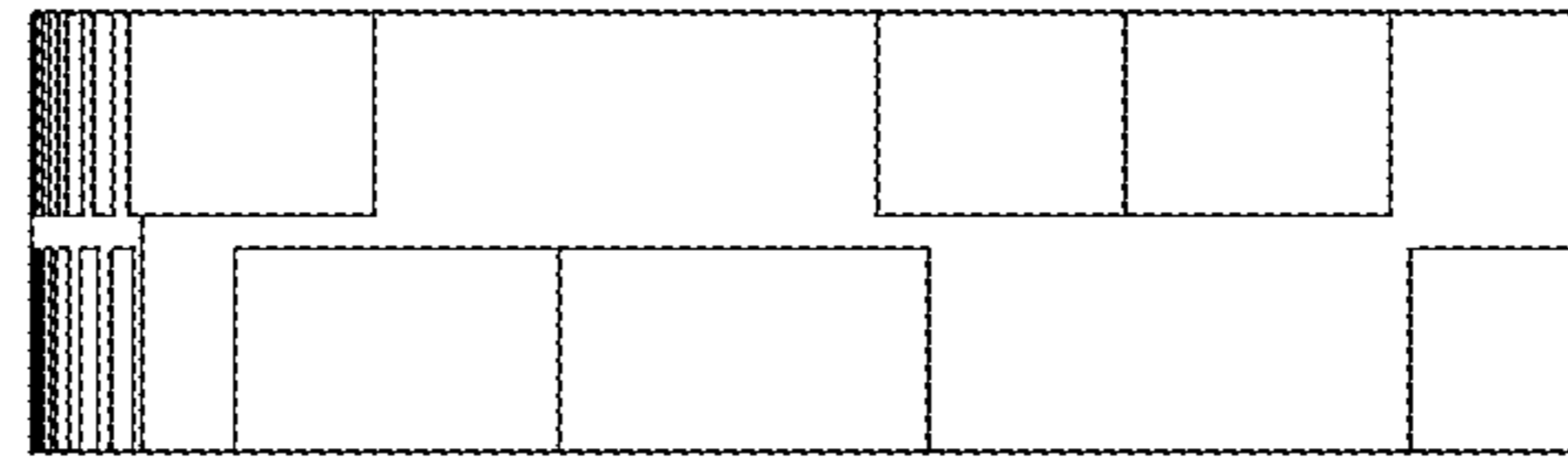


FIG. 5

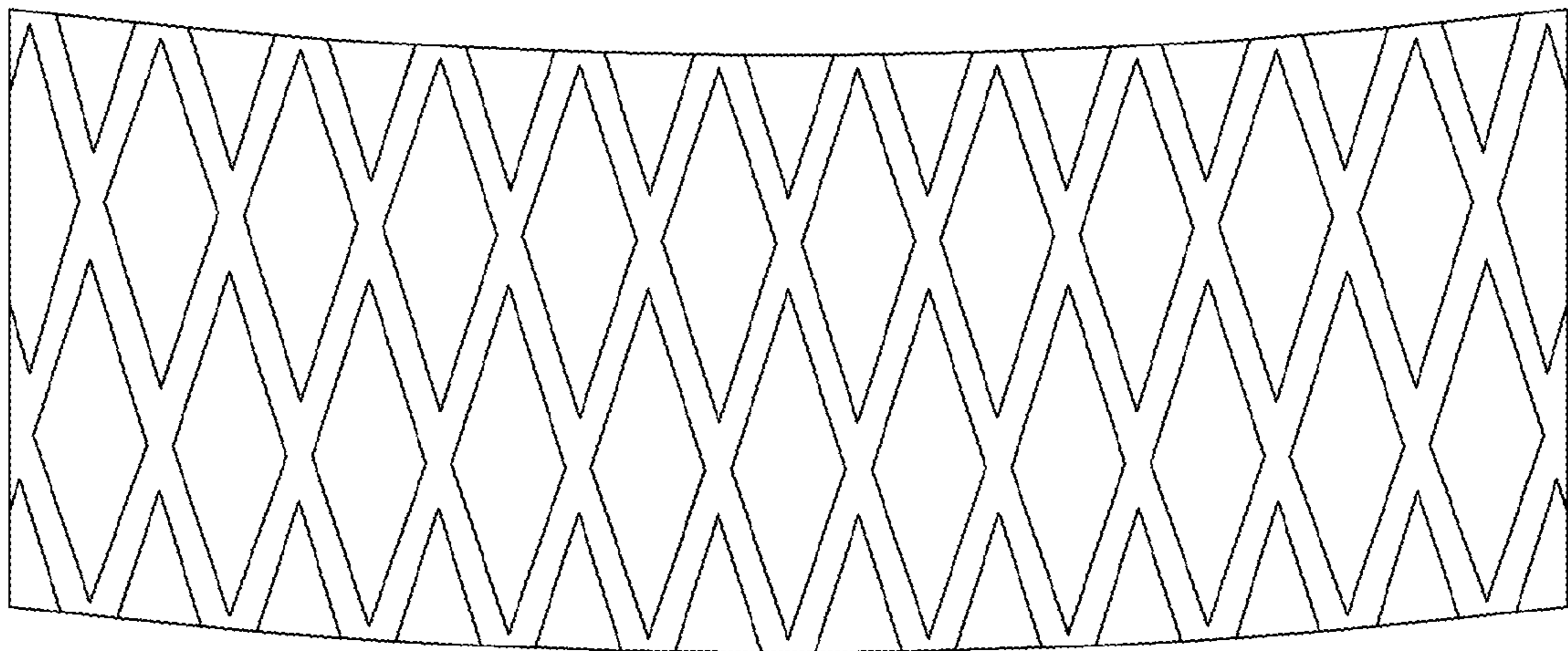


FIG. 6

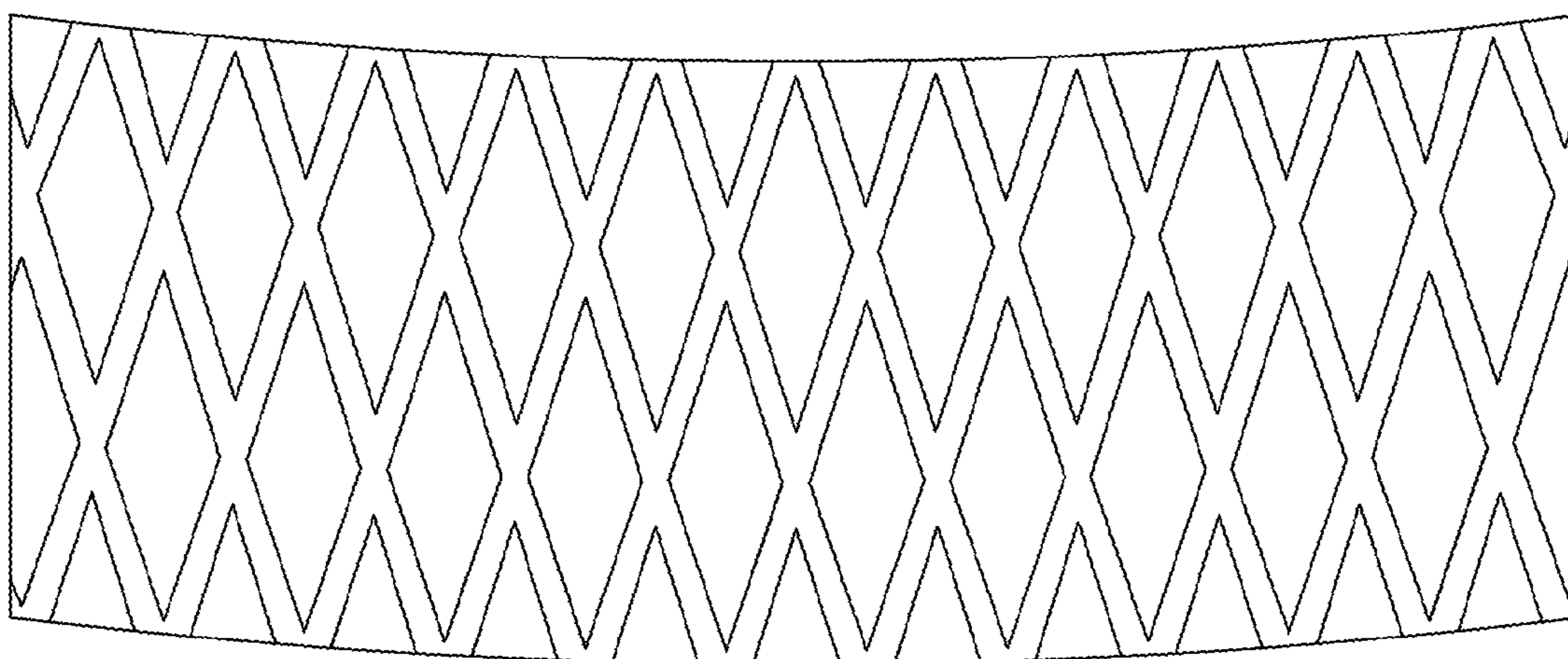


FIG. 7

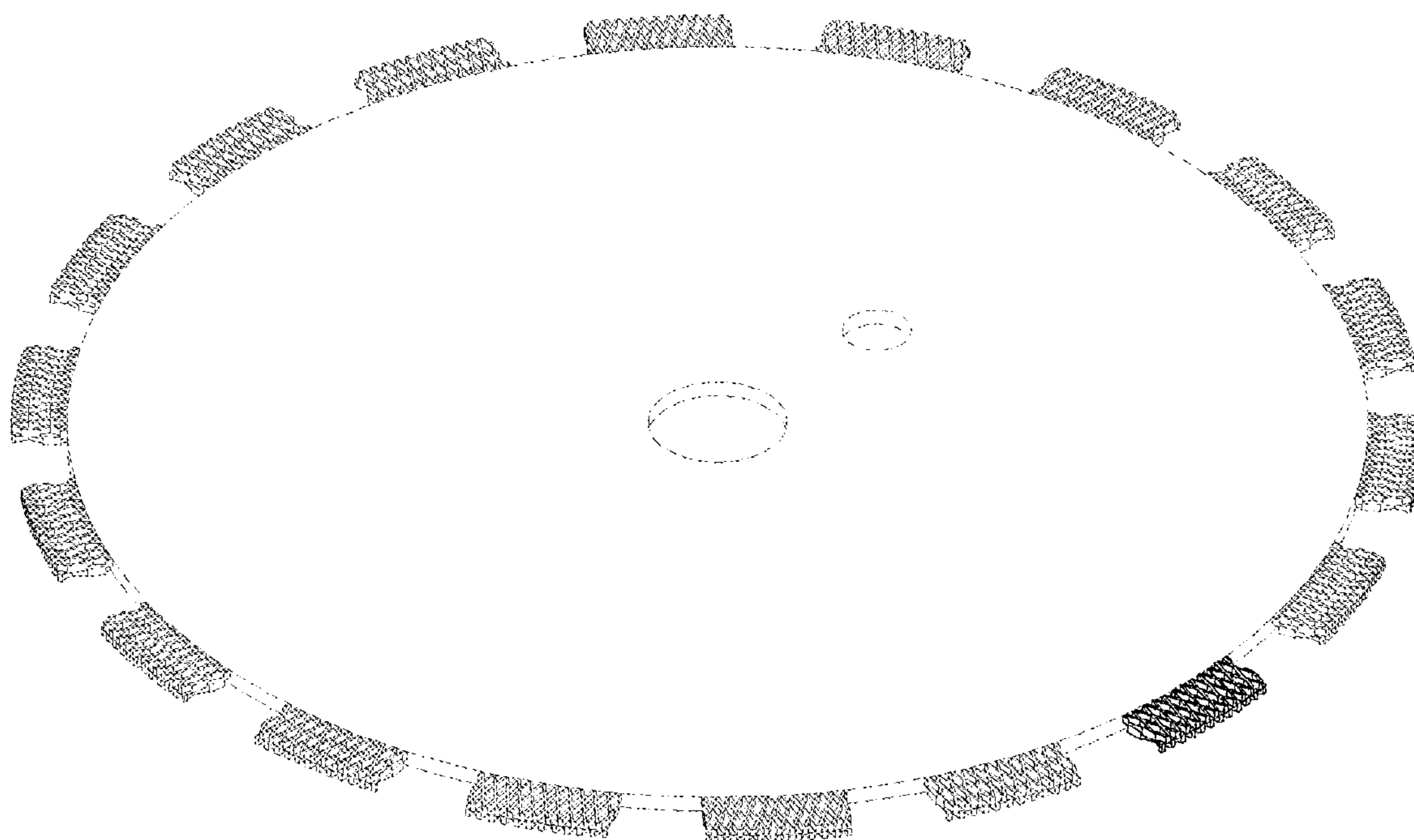


FIG. 8