

US00D560455S

(12) **United States Design Patent**
Yamamoto et al.

(10) **Patent No.:** **US D560,455 S**
(45) **Date of Patent:** **** Jan. 29, 2008**

(54) **PORTABLE ELECTRIC JIG SAW**
(75) Inventors: **Yuji Yamamoto**, Anjo (JP); **Masahiko Inai**, Anjo (JP)
(73) Assignee: **Makita Corporation**, Anjo-shi (JP)
(**) Term: **14 Years**
(21) Appl. No.: **29/274,414**
(22) Filed: **Apr. 23, 2007**

D475,264 S 6/2003 Kondo et al.
D476,871 S * 7/2003 Santarsiero et al. D8/64
D484,381 S * 12/2003 Yamada et al. D8/64
D486,711 S * 2/2004 Tam et al. D8/64
6,705,017 B2 * 3/2004 Ellis et al. 30/375
D520,318 S * 5/2006 Waldron D8/64
D521,834 S * 5/2006 Andriolo et al. D8/64
D525,097 S * 7/2006 Tsang et al. D8/64
D525,098 S * 7/2006 Taniguchi et al. D8/64
2002/0124419 A1 * 9/2002 Hirabayashi 30/329
2003/0167641 A1 * 9/2003 Teng 30/337
2005/0229408 A1 * 10/2005 Ngan et al. 30/376

* cited by examiner

(30) **Foreign Application Priority Data**
Nov. 1, 2006 (JP) 2006-029959
(51) **LOC (8) Cl.** **08-03**
(52) **U.S. Cl.** **D8/64**
(58) **Field of Classification Search** D8/69,
D8/68, 67, 66, 64, 61; 83/747, 699.21; 310/50;
30/394, 393, 392, 391, 390, 377, 376; 173/217,
173/216
See application file for complete search history.

Primary Examiner—Cathron C. Brooks
Assistant Examiner—Austin Murphy
(74) *Attorney, Agent, or Firm*—Oliff & Berridge, PLC

(56) **References Cited**
U.S. PATENT DOCUMENTS
3,971,132 A * 7/1976 Griffies et al. 30/393
5,819,421 A * 10/1998 Giacometti et al. 30/392
D404,274 S * 1/1999 Ogasawara et al. D8/64
D409,469 S * 5/1999 Niwa et al. D8/69
D414,094 S * 9/1999 Heun D8/64
D440,474 S * 4/2001 Heun D8/64
D451,356 S * 12/2001 Pretzell D8/64
D463,963 S * 10/2002 Metaxatos et al. D8/64
D474,384 S * 5/2003 Andriolo D8/64

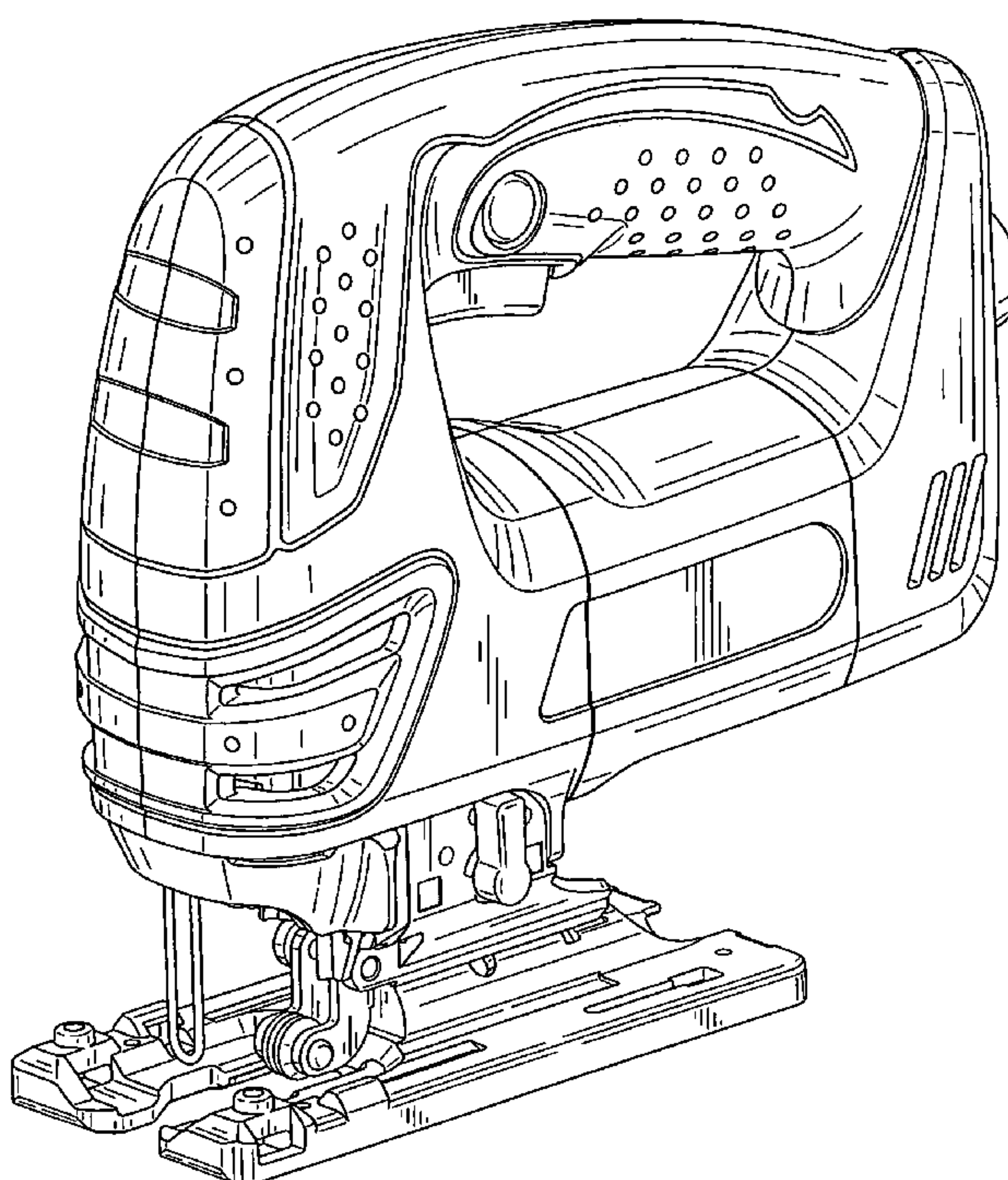
(57) **CLAIM**

The ornamental design for a portable electric jig saw, as shown and described.

DESCRIPTION

FIG. 1 is a perspective view of top, front and left side of a portable electric jig saw showing our new design;
FIG. 2 is a front view thereof;
FIG. 3 is a rear view thereof;
FIG. 4 is a left side view thereof;
FIG. 5 is a right side view thereof;
FIG. 6 is a top plan view thereof; and,
FIG. 7 is a bottom view thereof.

1 Claim, 5 Drawing Sheets



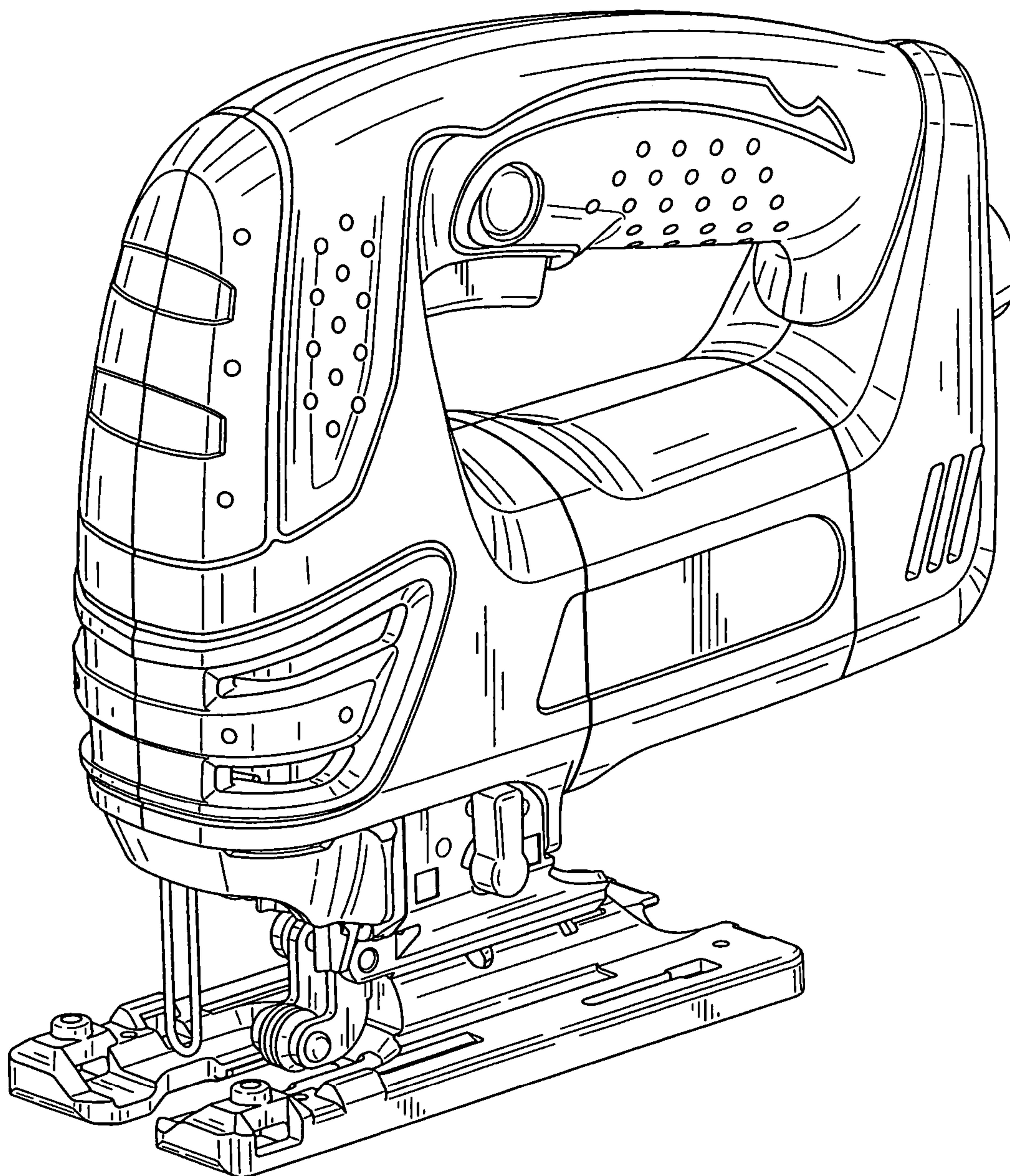


FIG. 1

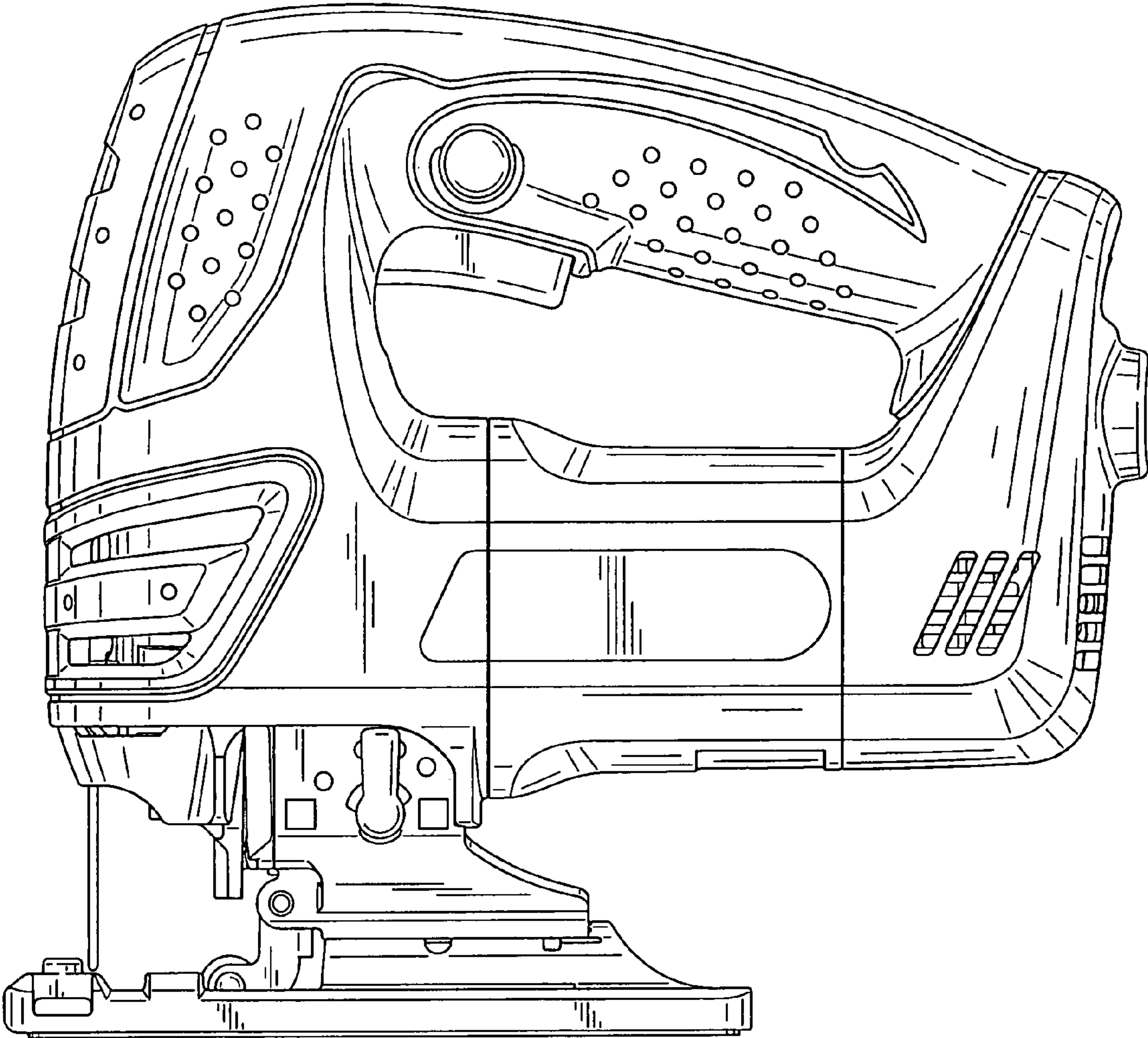


FIG. 2

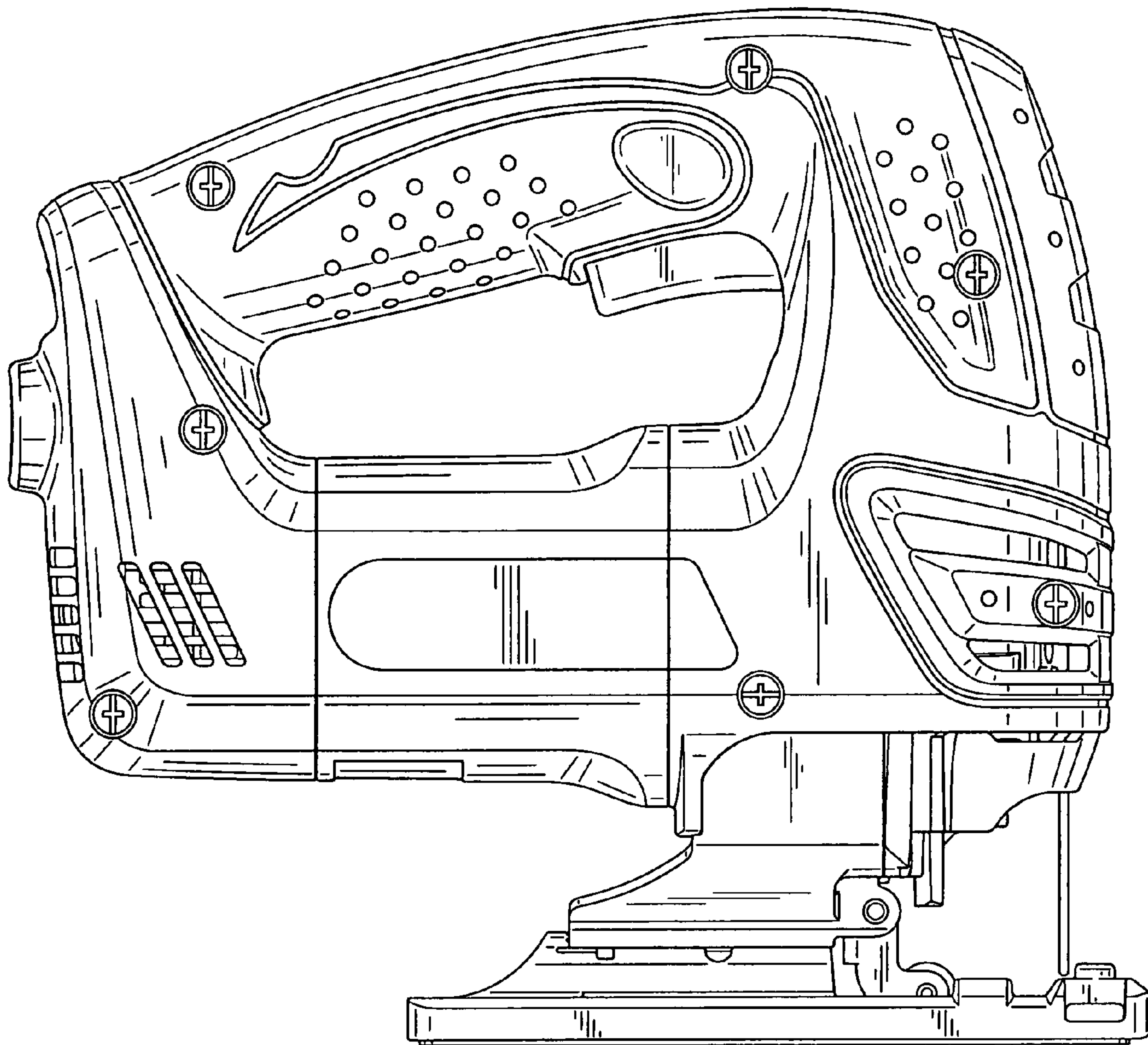


FIG. 3

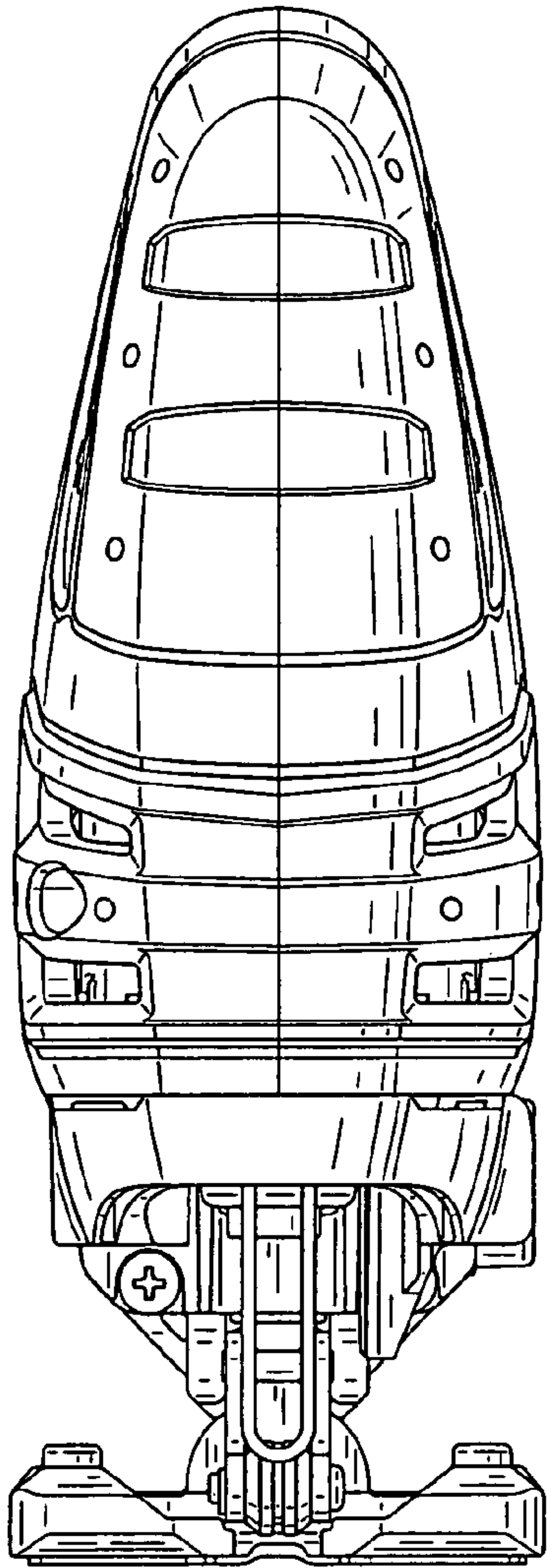


FIG. 4

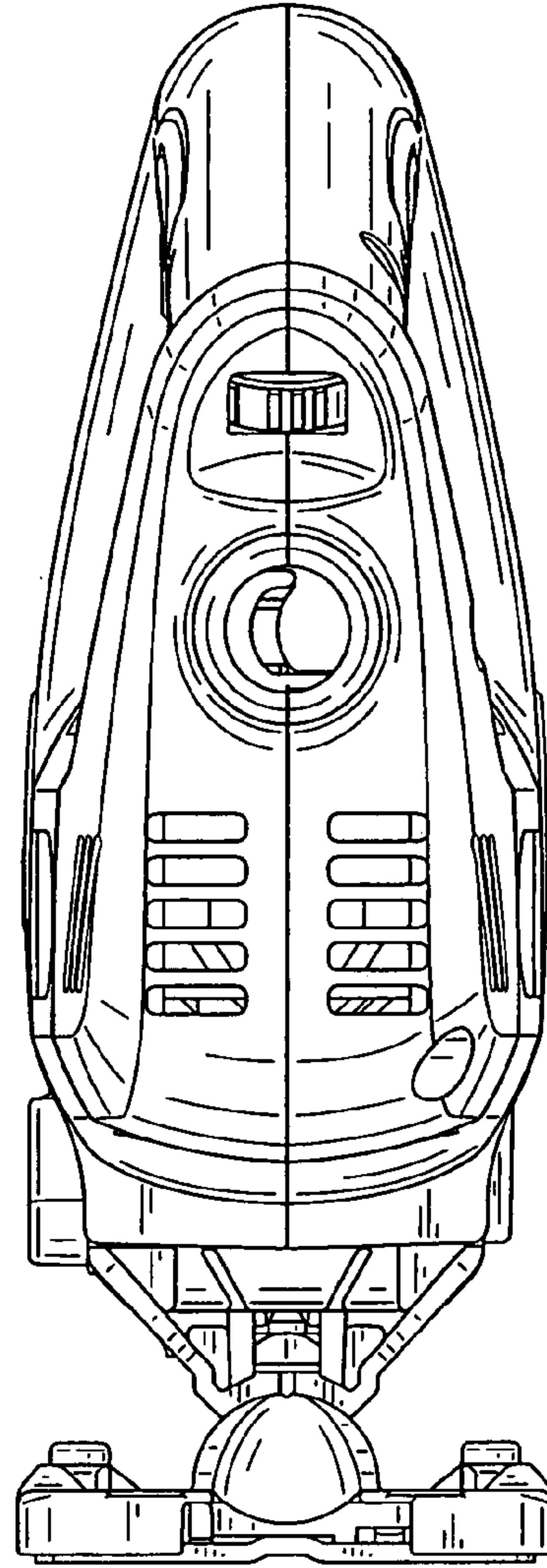


FIG. 5

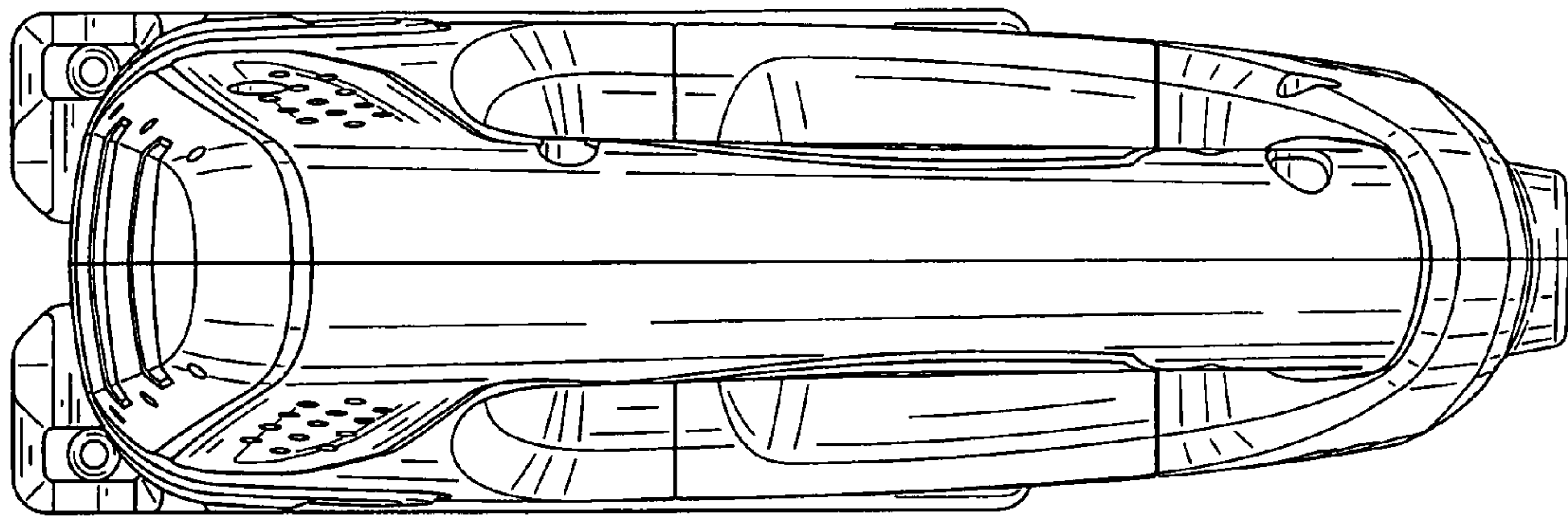


FIG. 6

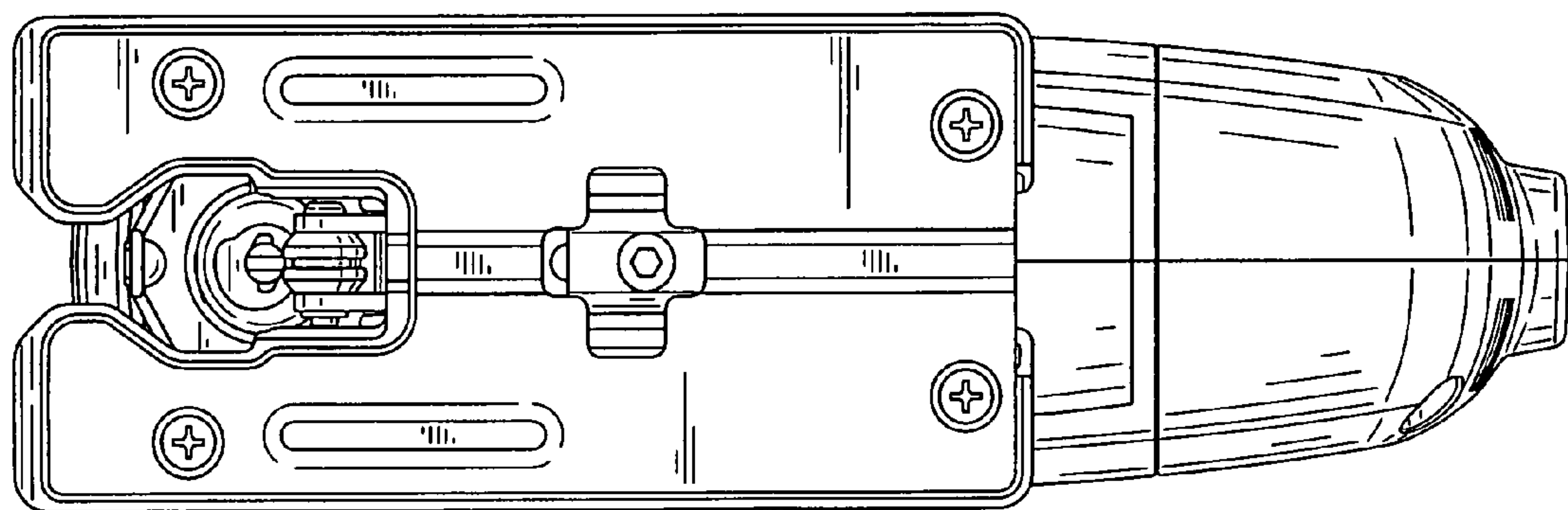


FIG. 7