

US00D560454S

(12) **United States Design Patent**
Raia

(10) **Patent No.:** **US D560,454 S**

(45) **Date of Patent:** **** Jan. 29, 2008**

(54) **TOUCAN CAN OPENER**

D509,412 S * 9/2005 Lee D7/680
D511,949 S * 11/2005 Lee D8/39
D545,621 S * 7/2007 Hood D7/393

(75) Inventor: **Christopher Raia**, Newton, MA (US)

(73) Assignee: **Boston Warehouse Trading Corp.**,
Norwood, MA (US)

* cited by examiner

(**) Term: **14 Years**

Primary Examiner—Robert M. Spear

Assistant Examiner—Garth Rademaker

(74) *Attorney, Agent, or Firm*—Herbert L. Bello

(21) Appl. No.: **29/270,479**

(22) Filed: **Dec. 22, 2006**

(57) **CLAIM**

The ornamental design for a toucan can opener, as shown and described.

(51) **LOC (8) Cl.** **07-99**

(52) **U.S. Cl.** **D8/38; D8/41**

(58) **Field of Classification Search** D7/372,
D7/414, 680; D8/14, 18, 33, 36, 38-41;
7/151, 152, 154, 156; 30/400-405, 408-410,
30/415-427, 433, 434; 81/3.07, 3.2, 3.31
See application file for complete search history.

DESCRIPTION

FIG. 1 is a perspective view of a toucan can opener showing my new design;

FIG. 2 is a front elevational view thereof;

FIG. 3 is a rear elevational view thereof;

FIG. 4 is a right side elevational view thereof;

FIG. 5 is a left side elevational view thereof;

FIG. 6 is a top plan view thereof; and,

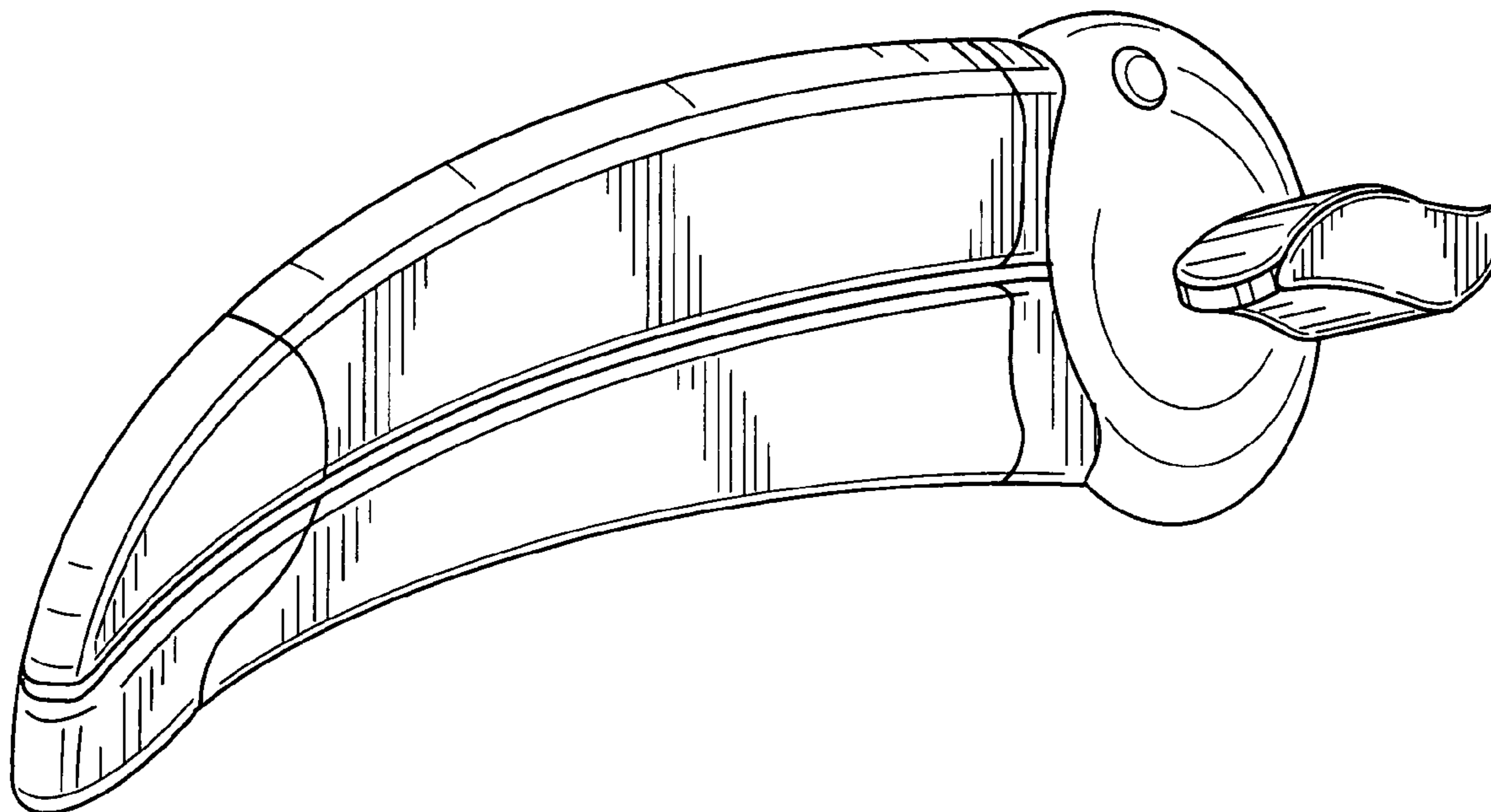
FIG. 7 is a bottom plan view thereof.

(56) **References Cited**

U.S. PATENT DOCUMENTS

D255,866 S * 7/1980 Panos D8/38
D415,659 S * 10/1999 Weibel D7/680
D458,819 S * 6/2002 Levien D8/39
D463,234 S * 9/2002 Wysopal D8/38
D488,970 S * 4/2004 Kelleghan D8/38

1 Claim, 4 Drawing Sheets



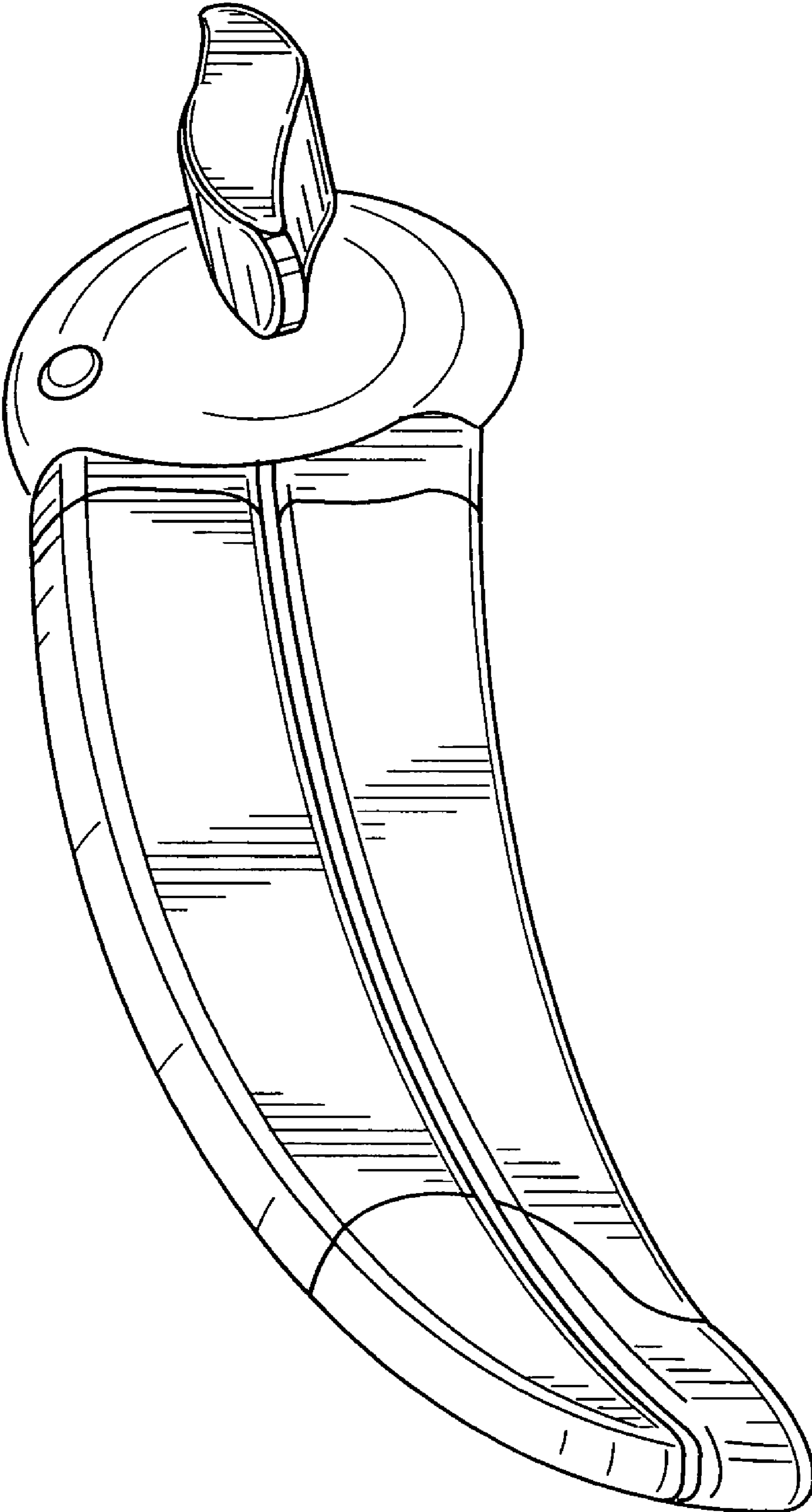


FIG. 1

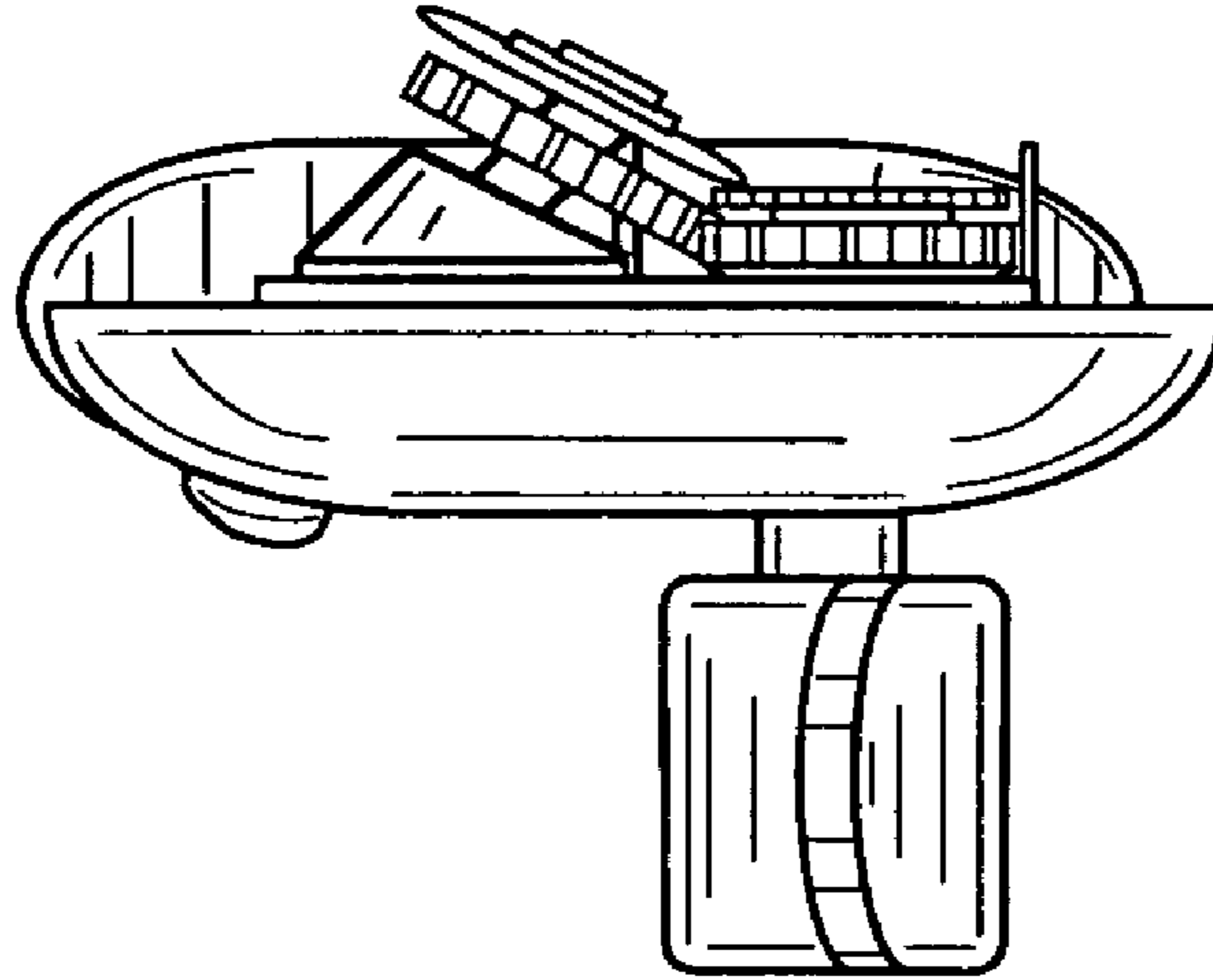


FIG. 3

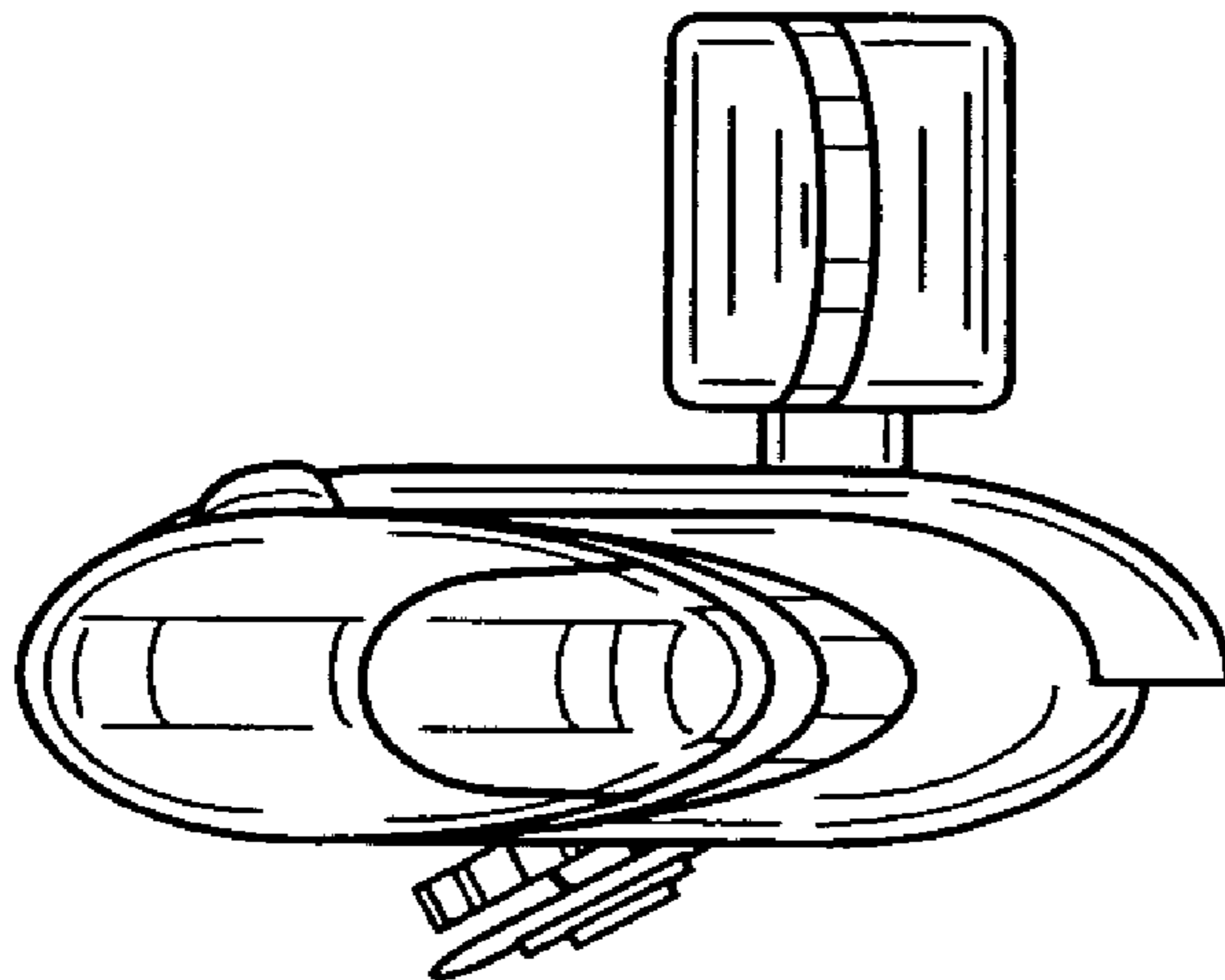


FIG. 2

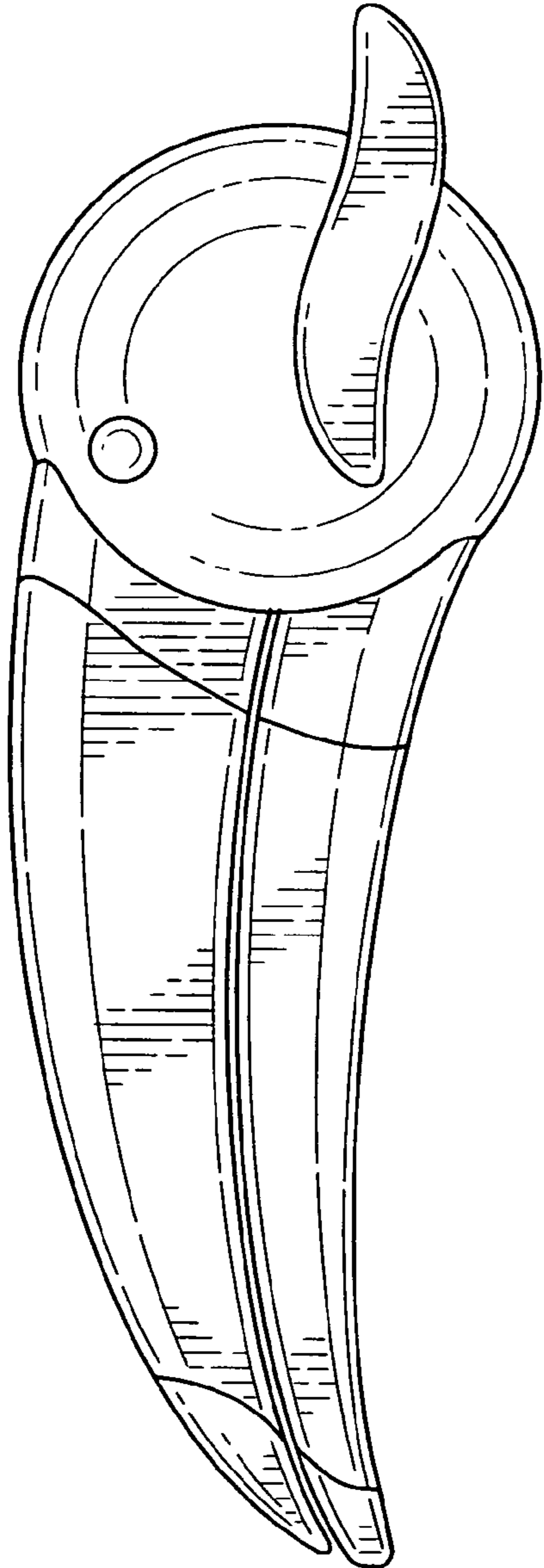


FIG. 4

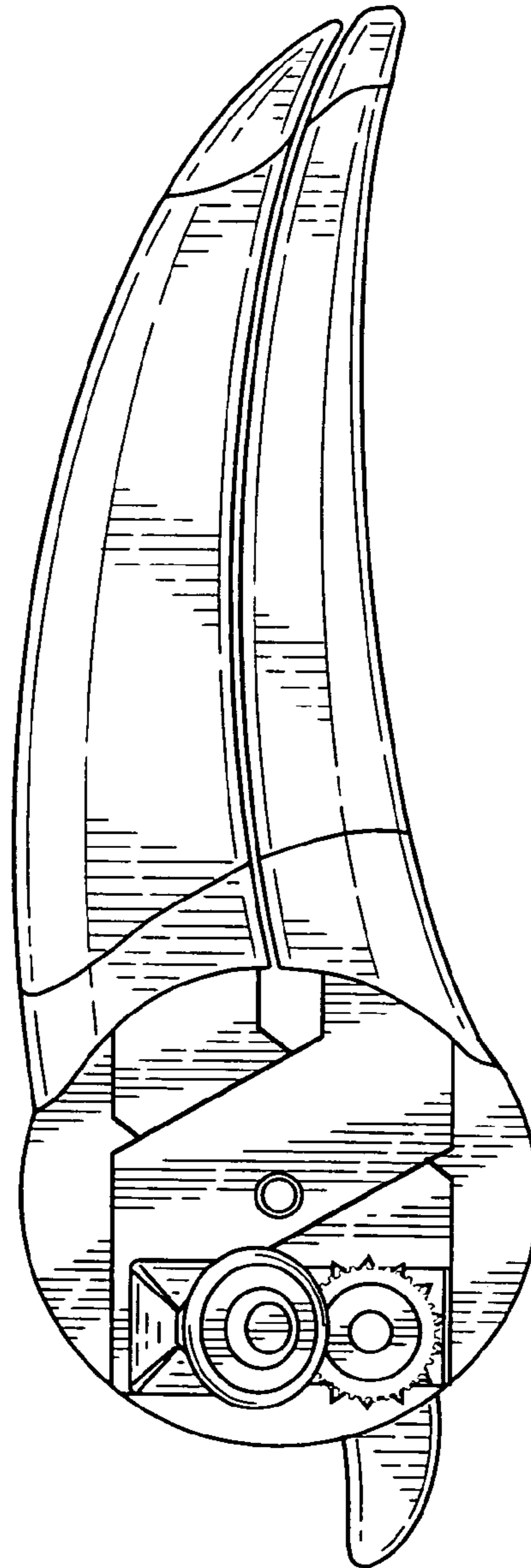


FIG. 5

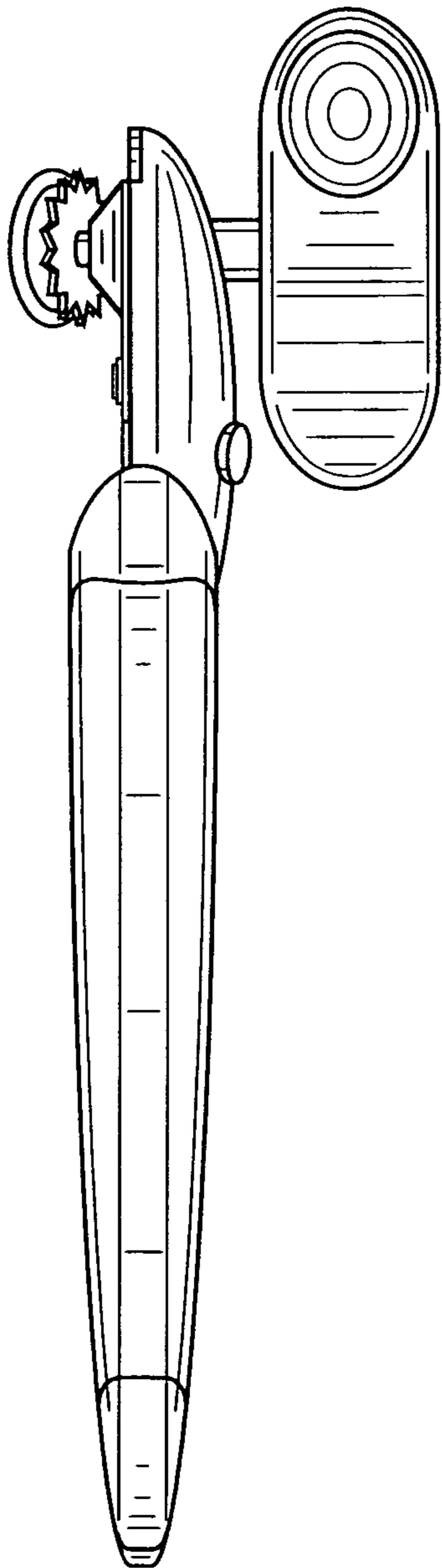


FIG. 6

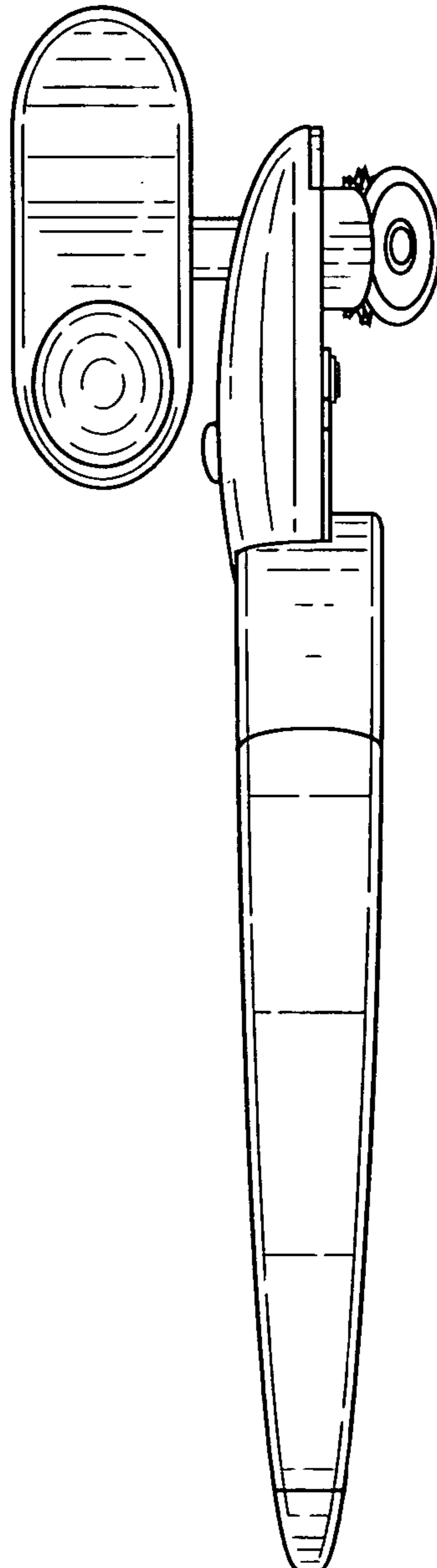


FIG. 7