

US00D560449S

(12) **United States Design Patent**
Goodman et al.

(10) **Patent No.:** **US D560,449 S**
(45) **Date of Patent:** **** Jan. 29, 2008**

(54) **MUG TREE**

(75) Inventors: **Sheldon H. Goodman**, Solon, OH
(US); **Kent W. Murphy**, Wooster, OH
(US)

(73) Assignee: **Spectrum Diversified Designs, Inc.**,
Streetsboro, OH (US)

(**) Term: **14 Years**

(21) Appl. No.: **29/275,928**

(22) Filed: **Jan. 10, 2007**

(51) **LOC (8) Cl.** **07-06**

(52) **U.S. Cl.** **D7/707**

(58) **Field of Classification Search** D7/701-708,
D7/600, 600.1-600.4; D6/455, 458, 459,
D6/415, 467, 411; 211/33, 71.01, 74, 77,
211/78, 85.3

See application file for complete search history.

(56) **References Cited**

U.S. PATENT DOCUMENTS

3,204,779 A * 9/1965 Warner 211/190

D312,556 S * 12/1990 Ancona et al. D7/701
D339,249 S * 9/1993 Wu D6/411
D447,393 S * 9/2001 Bodum D7/707
6,367,749 B2 * 4/2002 Valiulis 211/85.3
D496,191 S * 9/2004 Johnson D6/465

* cited by examiner

Primary Examiner—Terry A Wallace

(74) *Attorney, Agent, or Firm*—Pearne & Gordon LLP

(57) **CLAIM**

The ornamental design for a mug tree, as shown and described.

DESCRIPTION

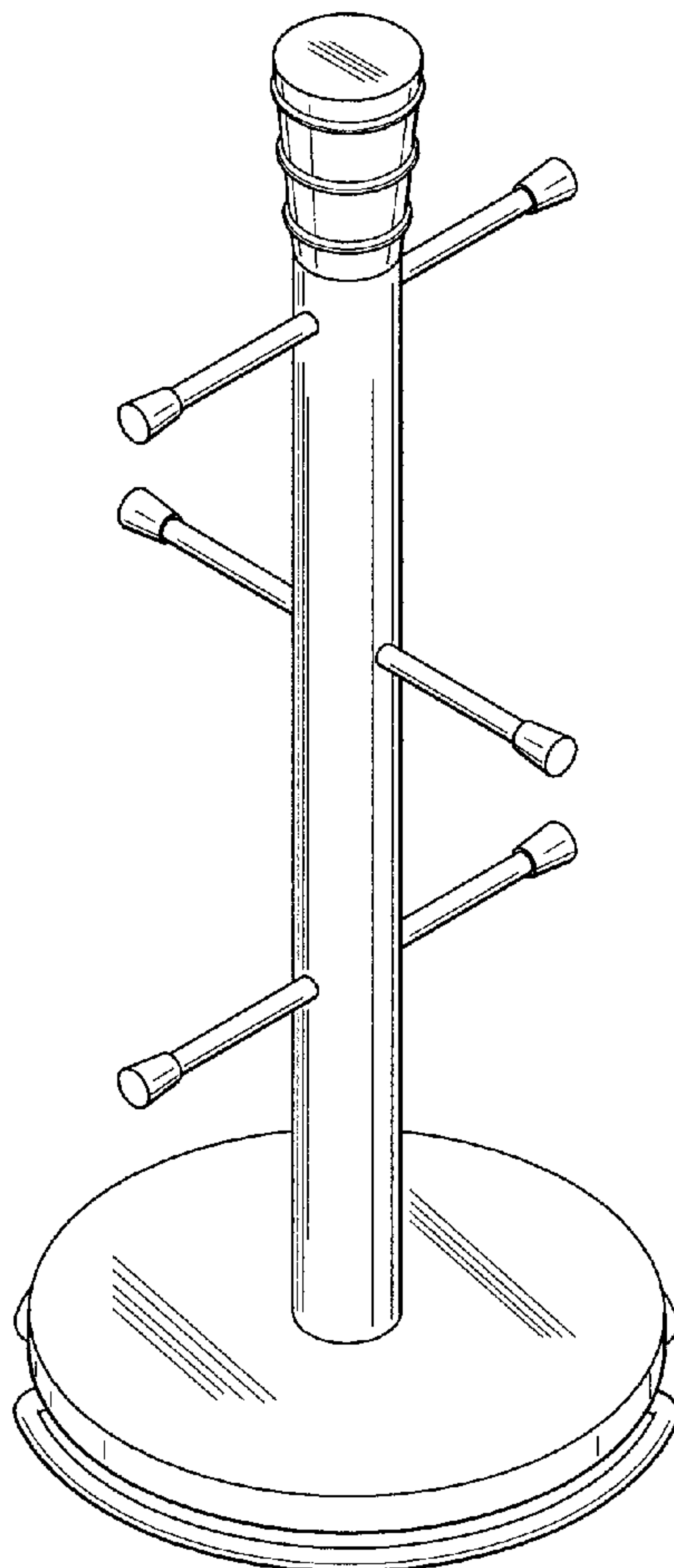
FIG. 1 is a perspective view of a mug tree, showing our new design;

FIG. 2 is a side elevational view thereof;

FIG. 3 is a front elevational view thereof; and,

FIG. 4 is a top plan view thereof.

1 Claim, 2 Drawing Sheets



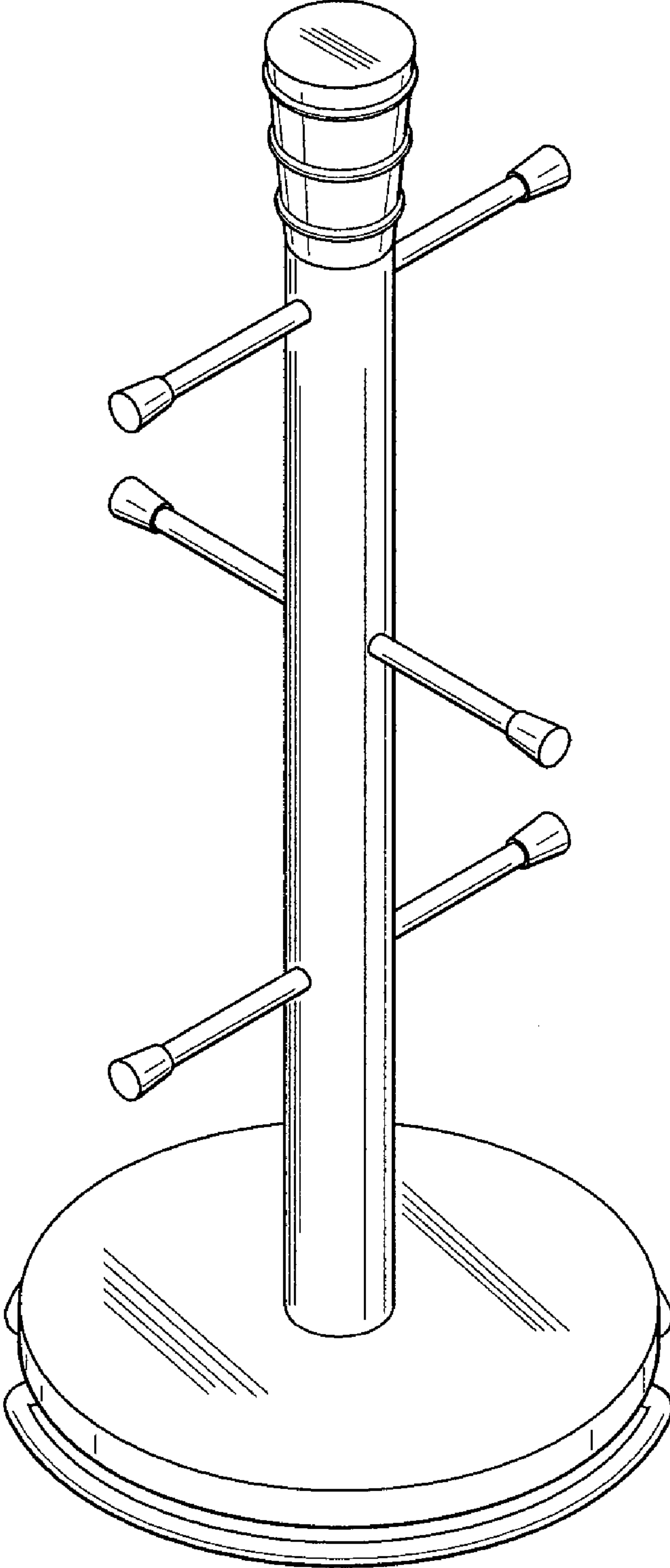


FIG. 1

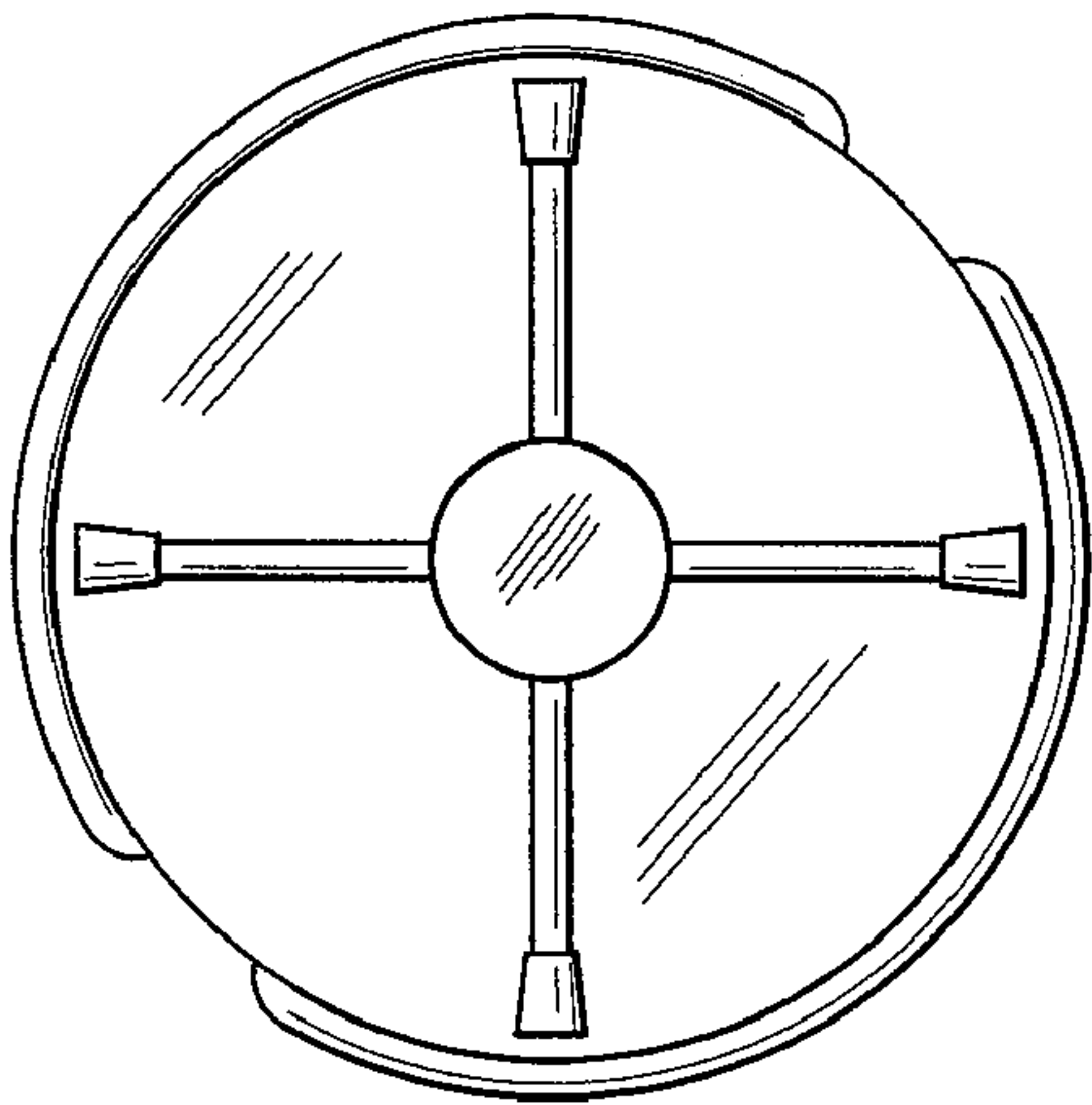


FIG. 4

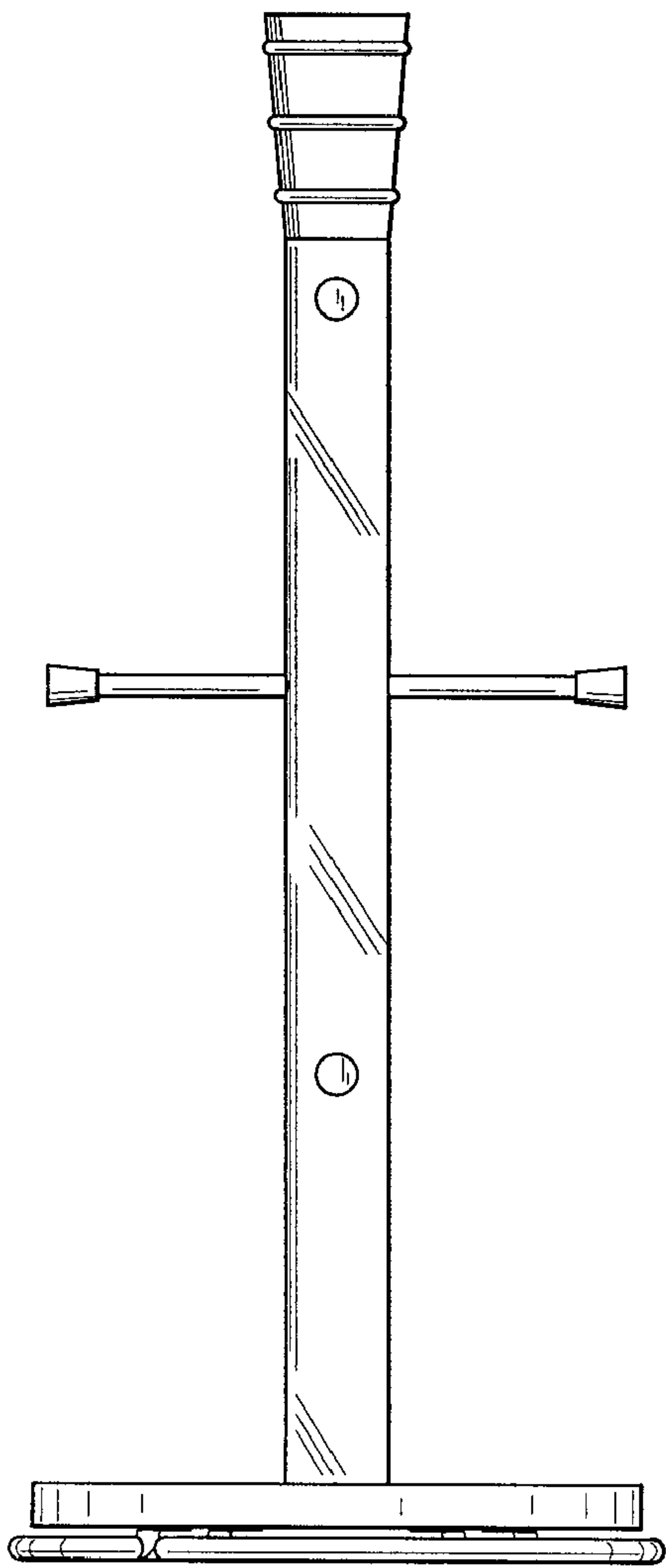


FIG. 2

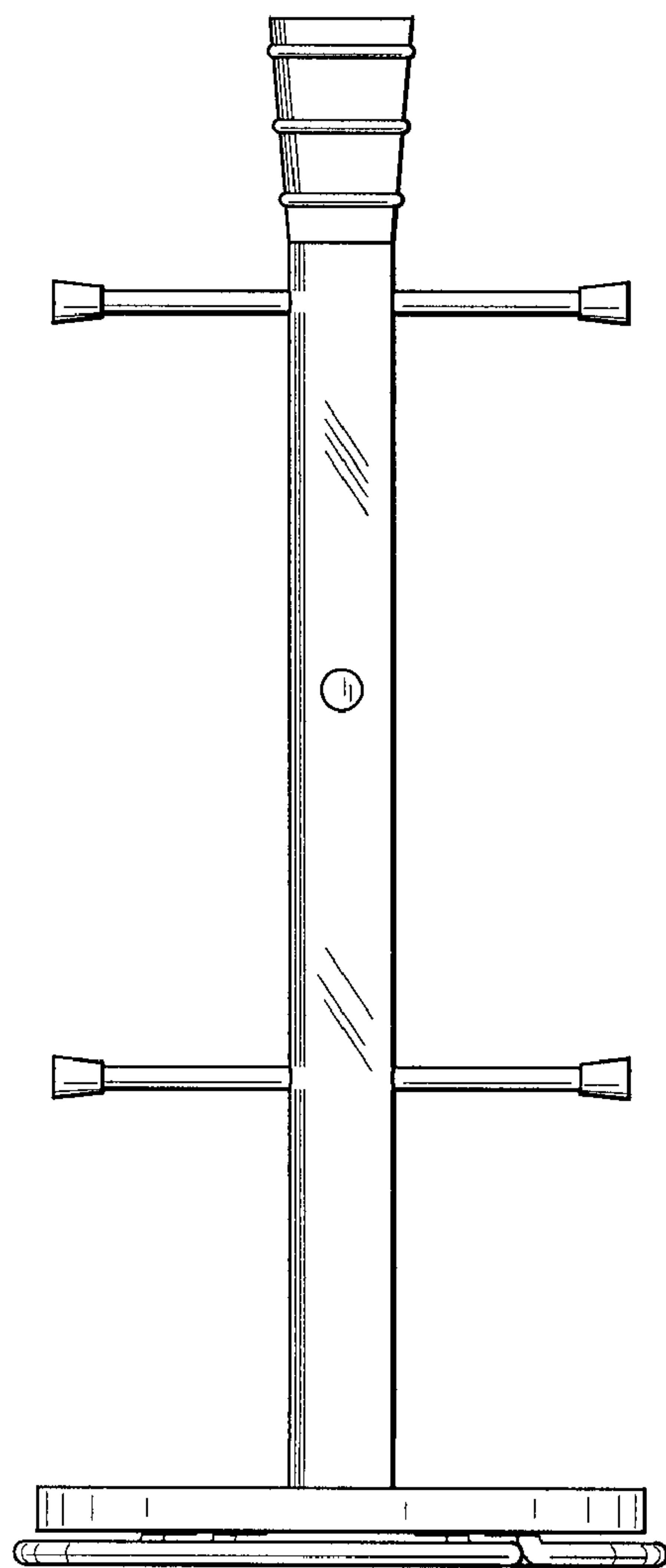


FIG. 3