

US00D560447S

(12) **United States Design Patent**  
**Breen et al.**

(10) **Patent No.:** **US D560,447 S**  
(45) **Date of Patent:** **\*\* Jan. 29, 2008**

(54) **BOTTLE SUPPORT FOR HORIZONTAL STORAGE**

(76) Inventors: **Michael M. Breen**, 870 Knight St., Sonoma, CA (US) 95476; **Michael T. Medeiros**, 2034 Fremont Dr., Sonoma, CA (US) 95476

(\*\*) Term: **14 Years**

(21) Appl. No.: **29/277,966**

(22) Filed: **Mar. 15, 2007**

(51) **LOC (8) Cl.** ..... **07-06**

(52) **U.S. Cl.** ..... **D7/691.1**

(58) **Field of Classification Search** ..... D7/619.1-625, D7/701, 707, 708; 211/71.01, 74; 215/399; D6/449, 466; 248/176.2, 37.3, 311.2, 312.1, 248/312, 311.3

See application file for complete search history.

(56) **References Cited**

**U.S. PATENT DOCUMENTS**

D198,488 S \* 6/1964 Reis ..... D7/619.1  
4,515,334 A \* 5/1985 Horne ..... 248/146

5,127,616 A \* 7/1992 Carney ..... 248/176.2

\* cited by examiner

*Primary Examiner*—Terry A Wallace

(74) *Attorney, Agent, or Firm*—Craig M. Stainbrook; Stainbrook & Stainbrook, LLP

(57) **CLAIM**

The ornamental design for a bottle support for horizontal storage, as shown and described.

**DESCRIPTION**

FIG. 1 is an upper left perspective view of the design;

FIG. 2 is an upper left perspective view of the design;

FIG. 3 is a front view in elevation;

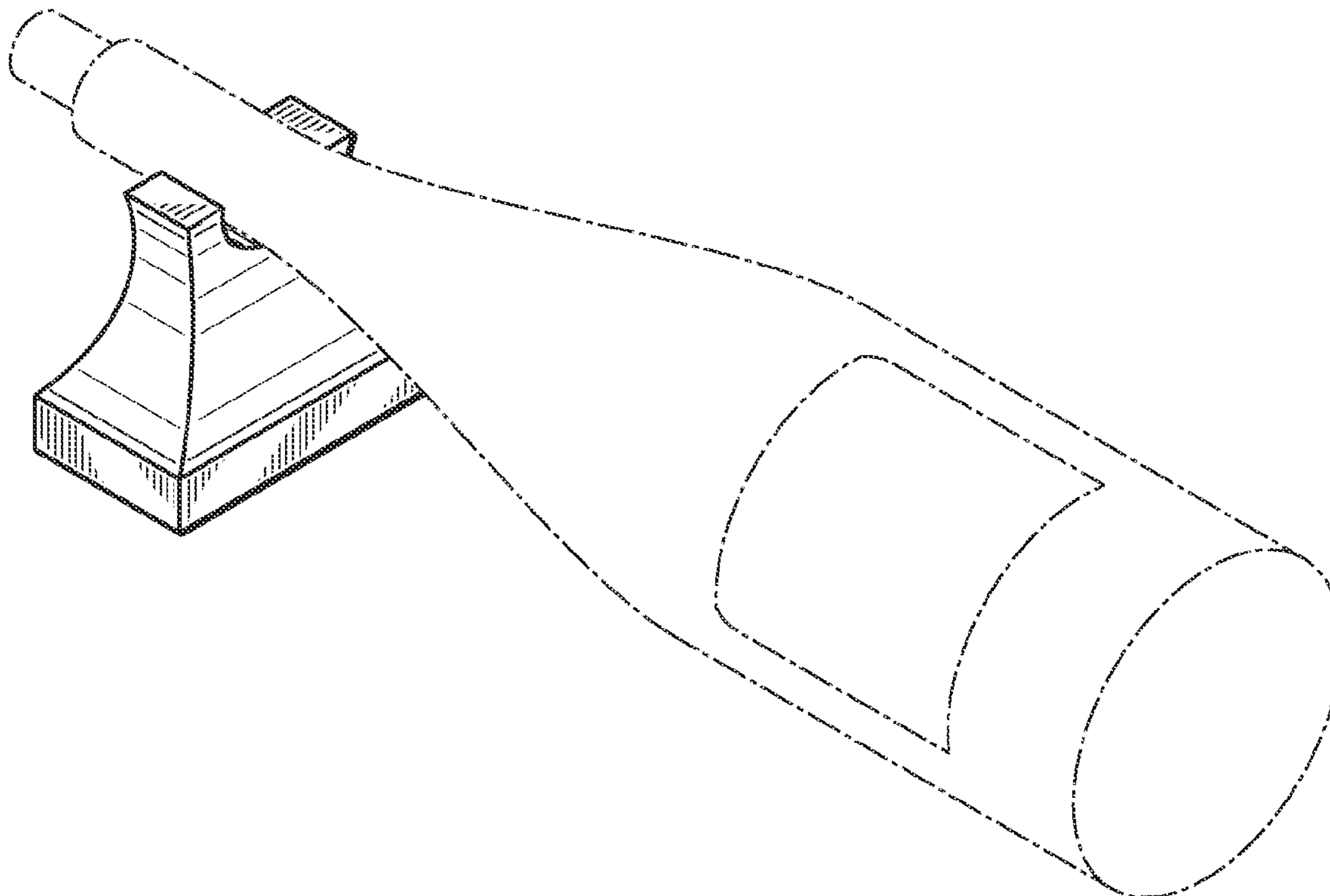
FIG. 4 is a right side view in elevation; the left side being a mirror image thereof;

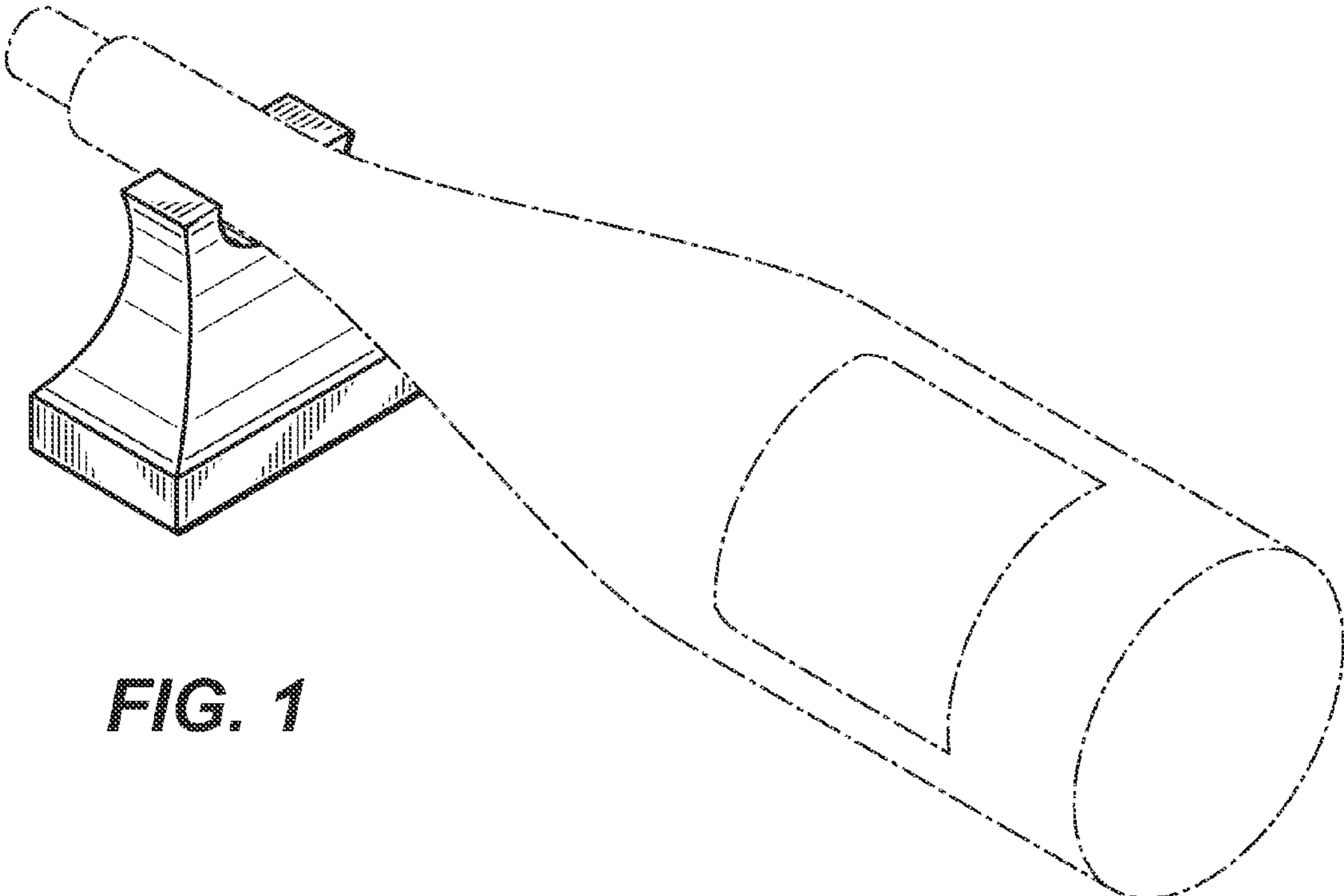
FIG. 5 is a top plan view; and,

FIG. 6 is a bottom view.

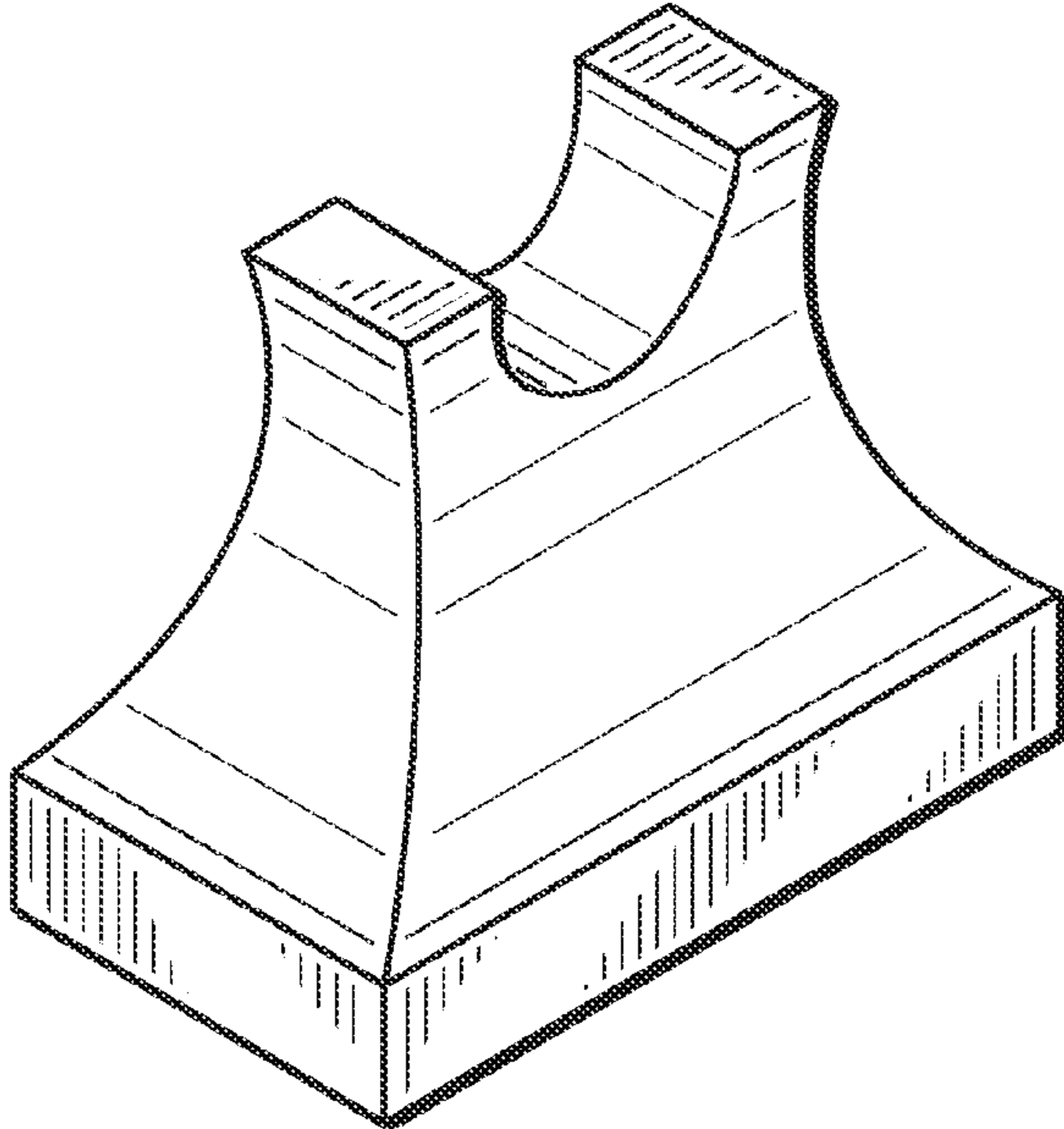
The broken lines are for illustrative purposes only and form no part of the claimed design.

**1 Claim, 2 Drawing Sheets**

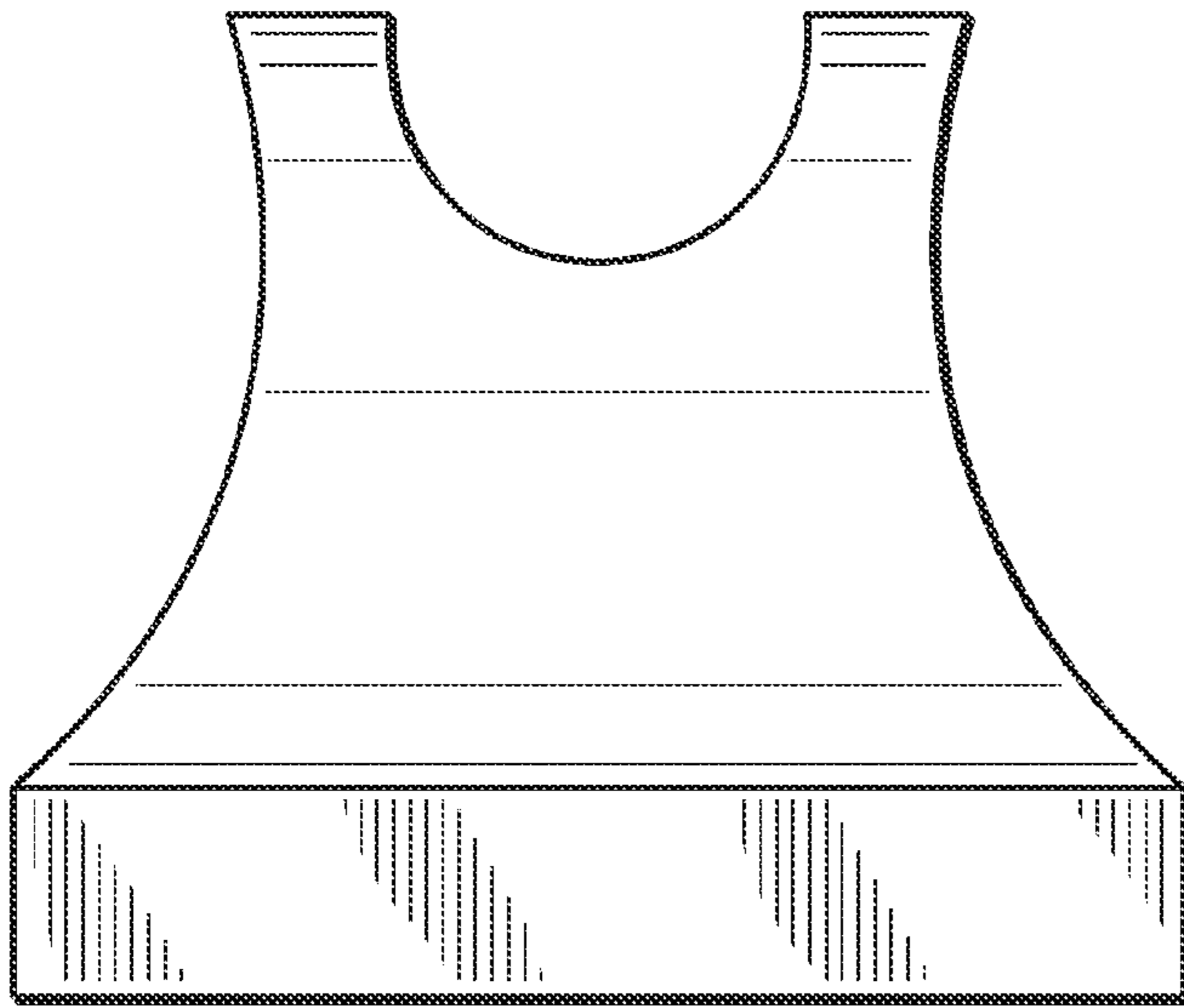




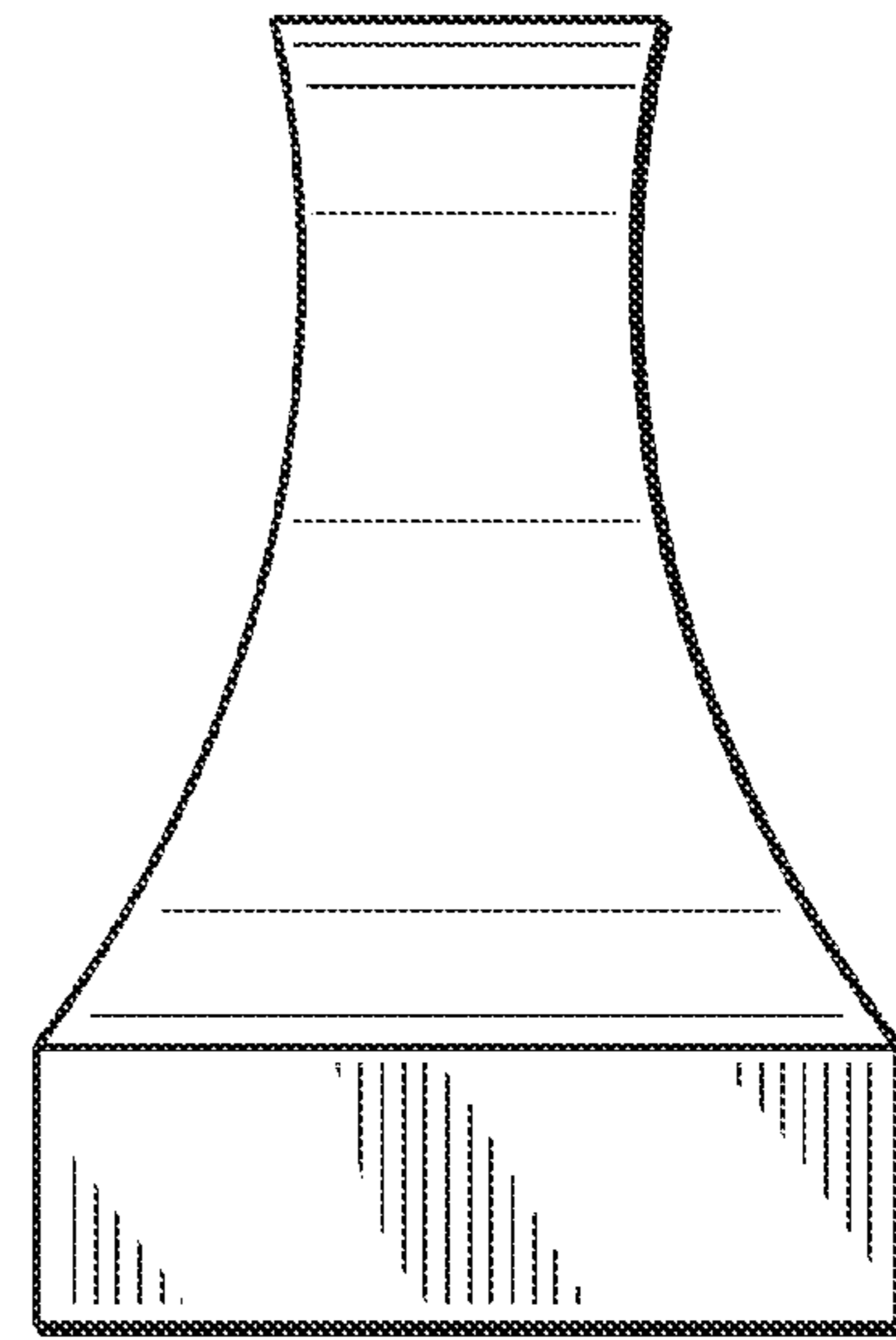
**FIG. 1**



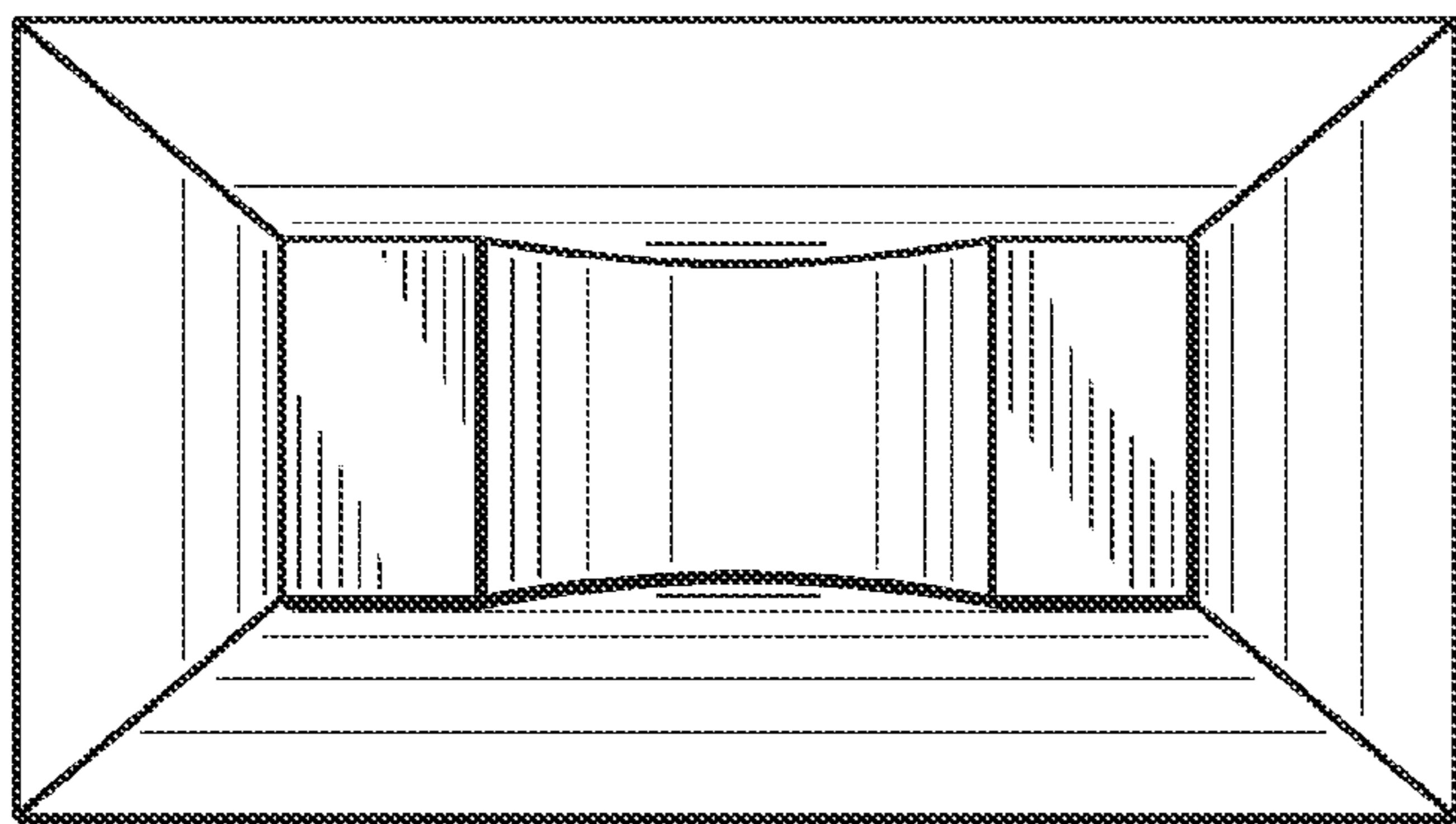
**FIG. 2**



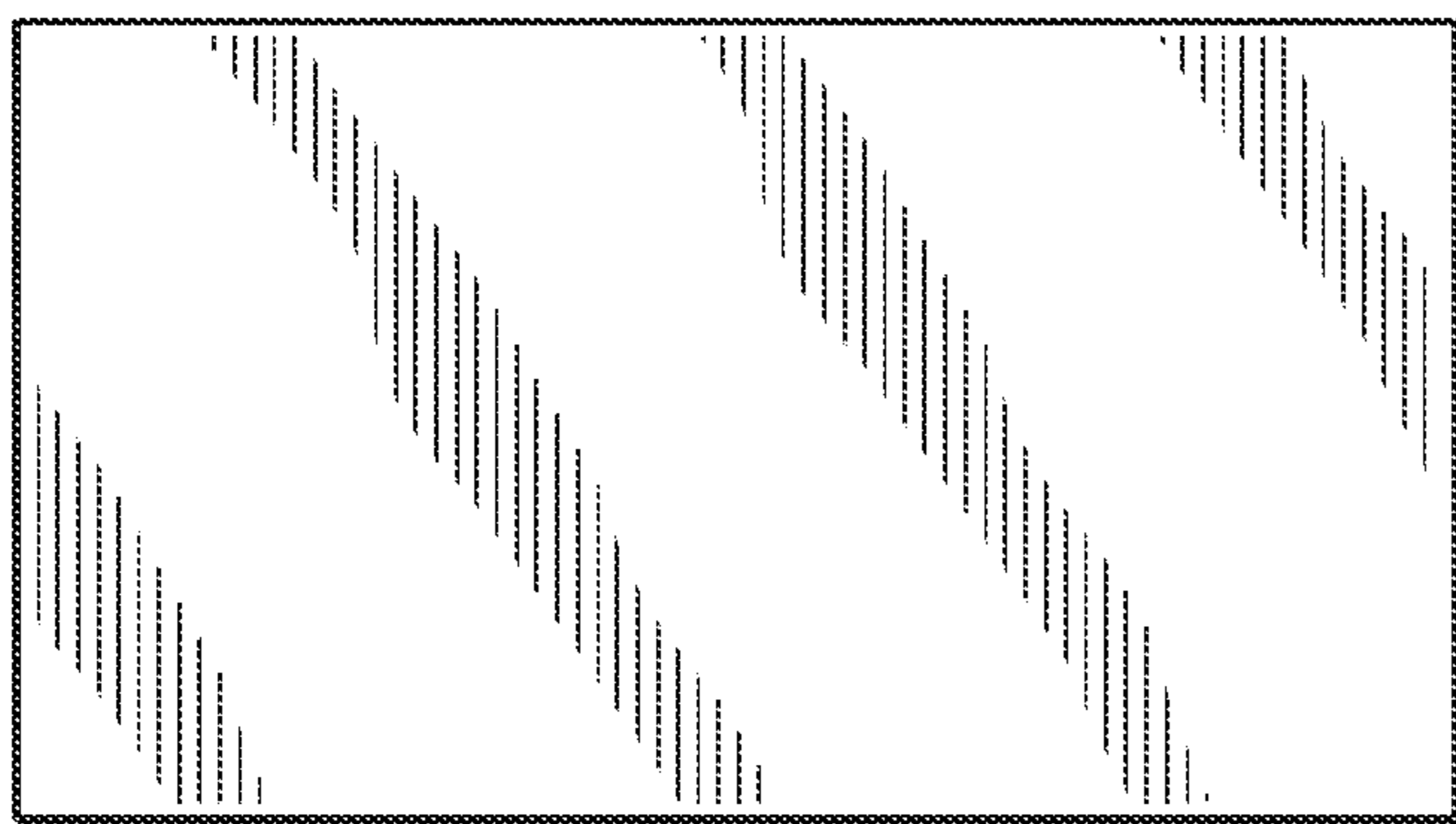
**FIG. 3**



**FIG. 4**



**FIG. 5**



**FIG. 6**