



US00D560445S

(12) **United States Design Patent**
Tardif et al.

(10) **Patent No.:** **US D560,445 S**
(45) **Date of Patent:** **** Jan. 29, 2008**

(54) **SPICE MILL**

7,007,875 B2 * 3/2006 Cheng 241/169.1

(75) Inventors: **Pierre Tardif**, Longueuil (CA); **Kim Hoang**, Montreal (CA)

* cited by examiner

Primary Examiner—Terry A Wallace

(73) Assignee: **Trudeau Corporation 1889 Inc.**,
Boucherville, Quebec (CA)

(74) *Attorney, Agent, or Firm*—Lewis and Roca LLP

(**) Term: **14 Years**

(57) **CLAIM**

(21) Appl. No.: **29/276,257**

We claim the ornamental design for a spice mill, as shown and described.

(22) Filed: **Jan. 19, 2007**

DESCRIPTION

(51) **LOC (8) Cl.** **07-06**

FIG. 1 is a perspective view of a spice mill according to the present design;

(52) **U.S. Cl.** **D7/679**

FIG. 2 is a front elevational view of the spice mill of FIG. 1;

(58) **Field of Classification Search** D7/590–597,
D7/679, 383, 384, 372–374, 401.1; D9/515,
D9/549, 559; 222/142.1–142.9, 480; 241/168,
241/169, 169.1, 262, 273.1–273.4, 286

FIG. 3 is a left side elevational view of the spice mill of FIG. 1;

See application file for complete search history.

FIG. 4 is a top plan view of the spice mill of FIG. 1;

(56) **References Cited**

FIG. 5 a rear elevational view of the spice mill of FIG. 1;

U.S. PATENT DOCUMENTS

FIG. 6 is a right side elevational view of the spice mill of FIG. 1; and,

3,235,130 A * 2/1966 Waither et al. 222/142.9

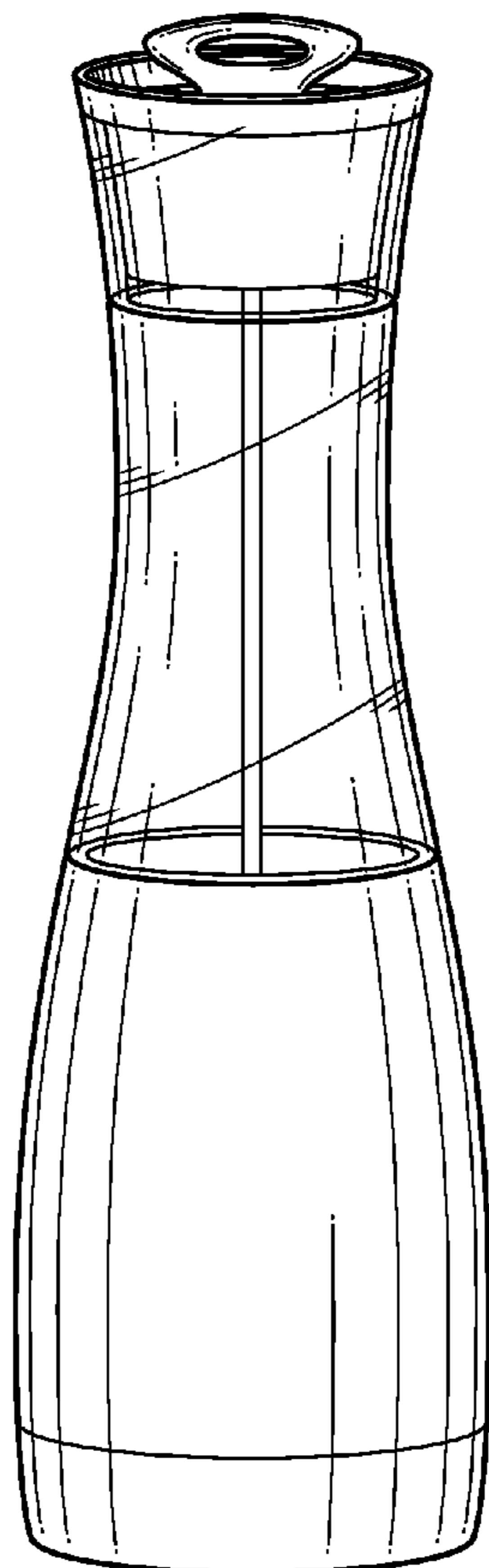
FIG. 7 is a bottom view of the spice mill of FIG. 1.

D473,432 S * 4/2003 Tang et al. D7/679

D484,371 S * 12/2003 Tang et al. D7/679

6,871,808 B2 * 3/2005 Holcomb et al. 241/169.1

1 Claim, 3 Drawing Sheets



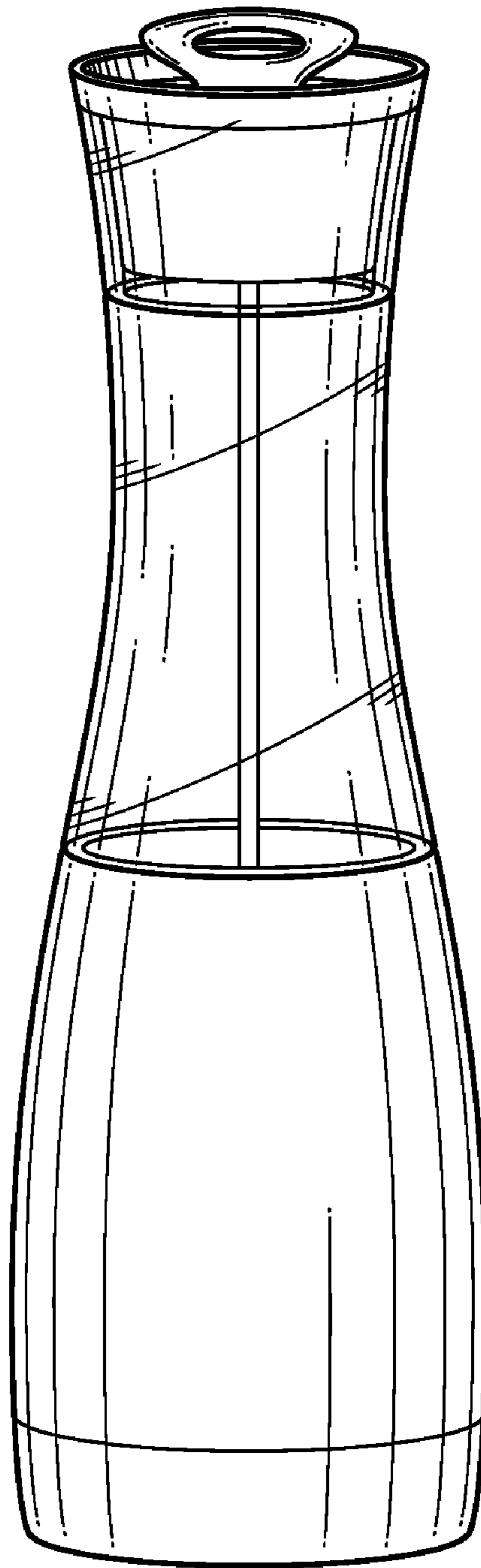


FIG. 1

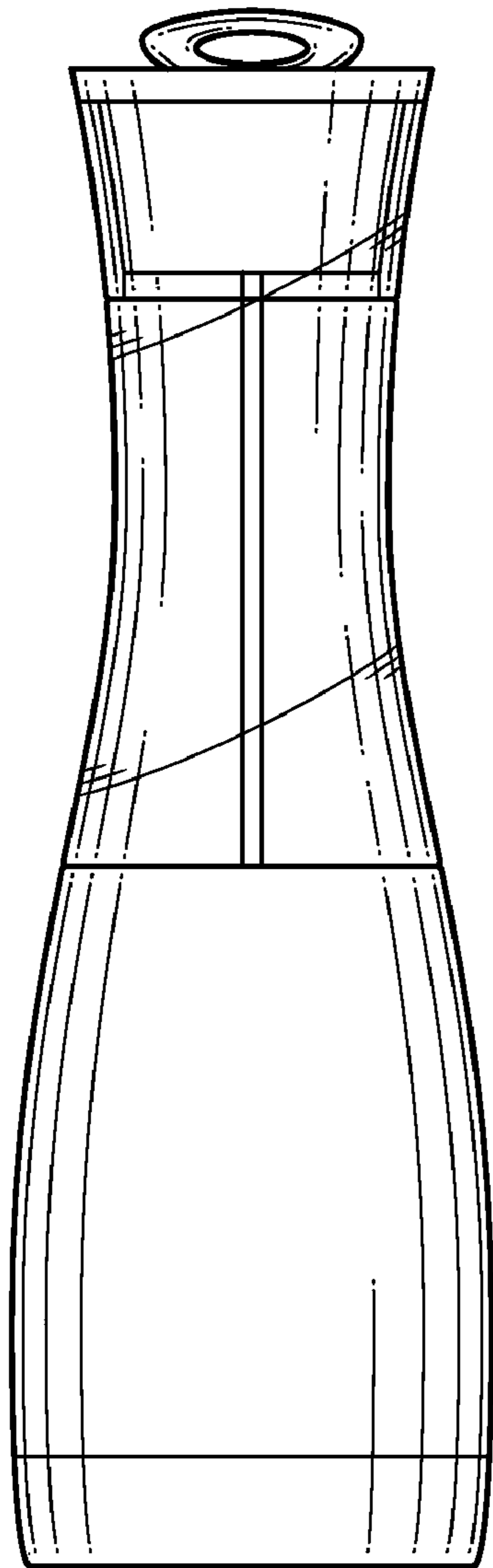


FIG. 2

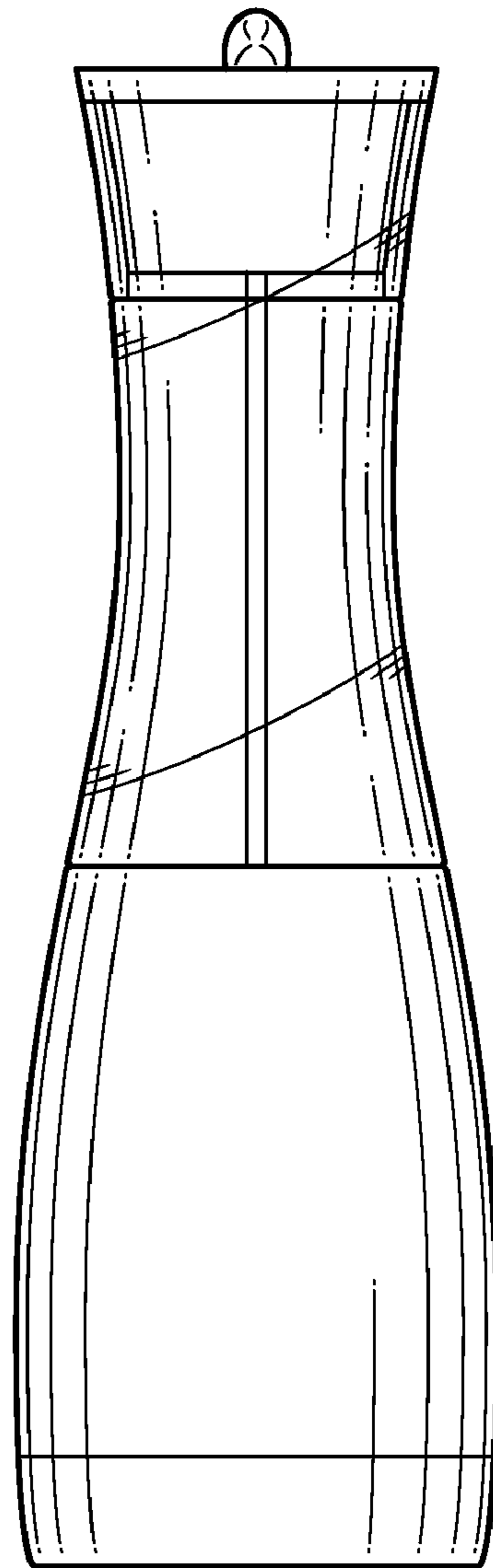


FIG. 3

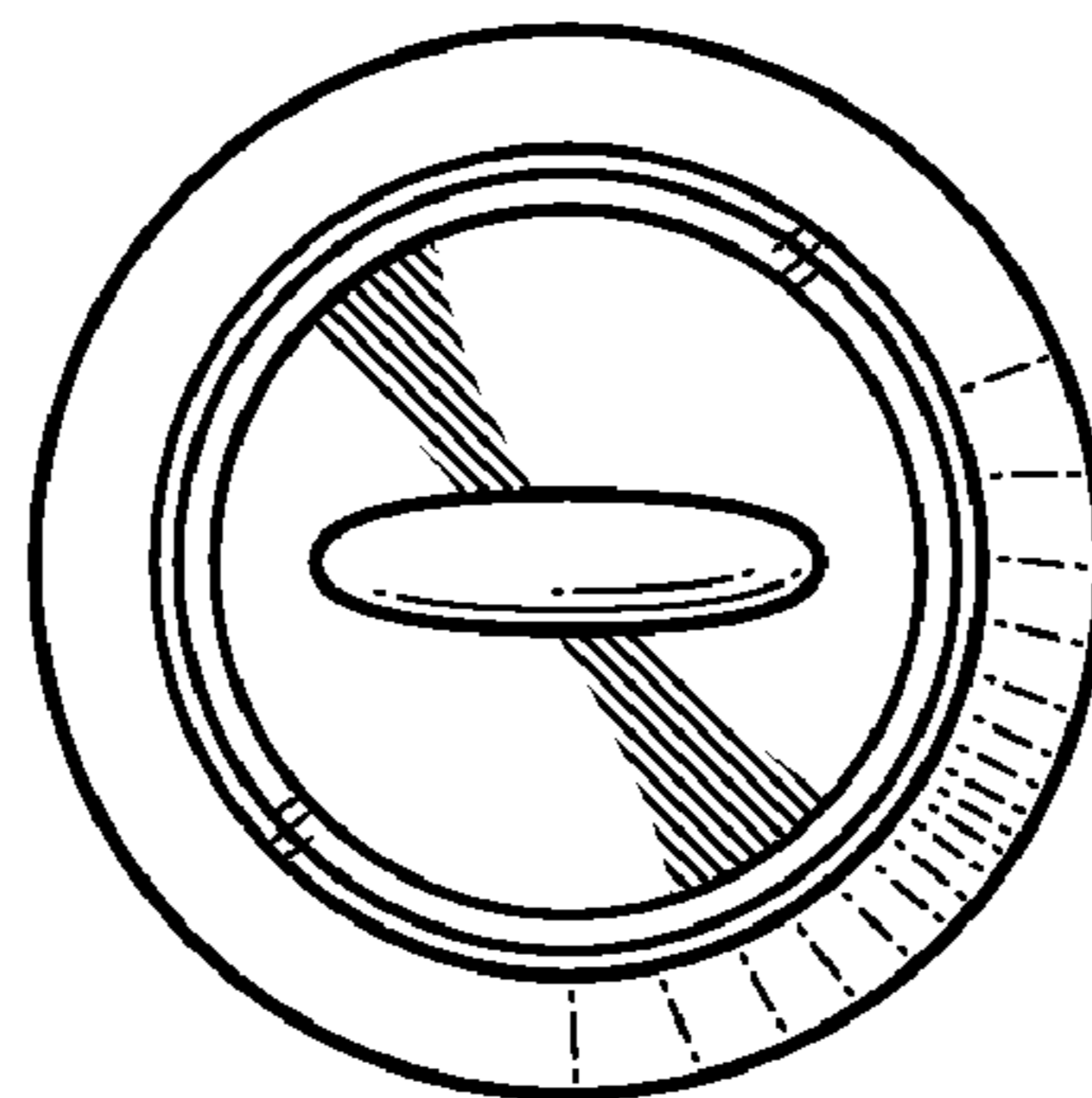


FIG. 4

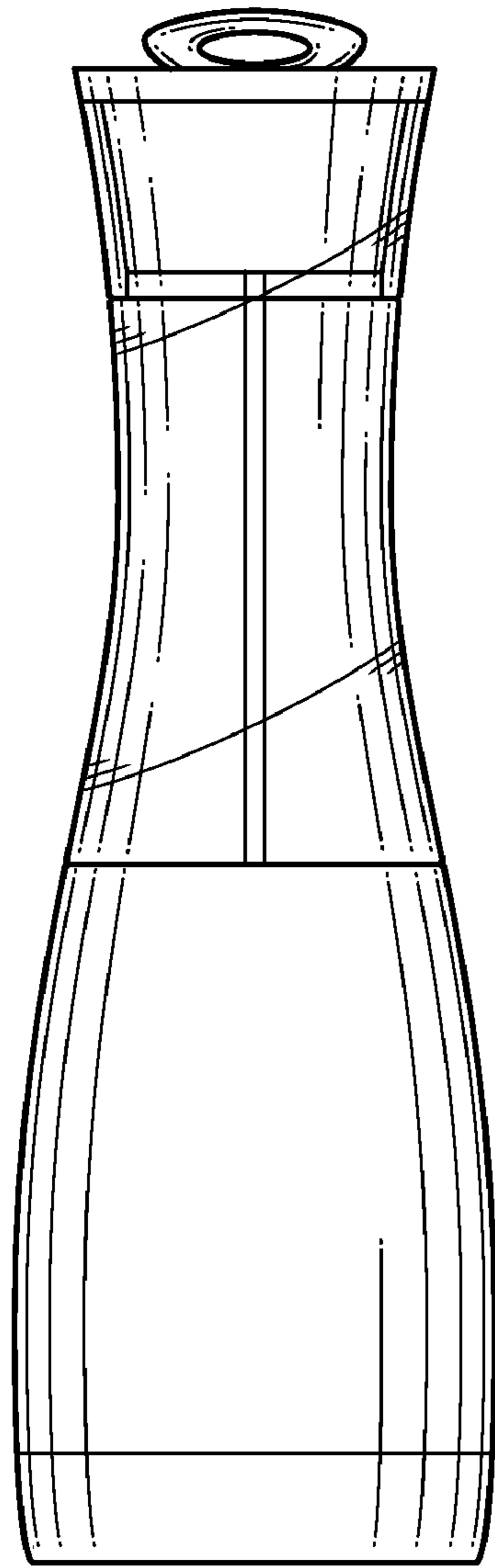


FIG. 5

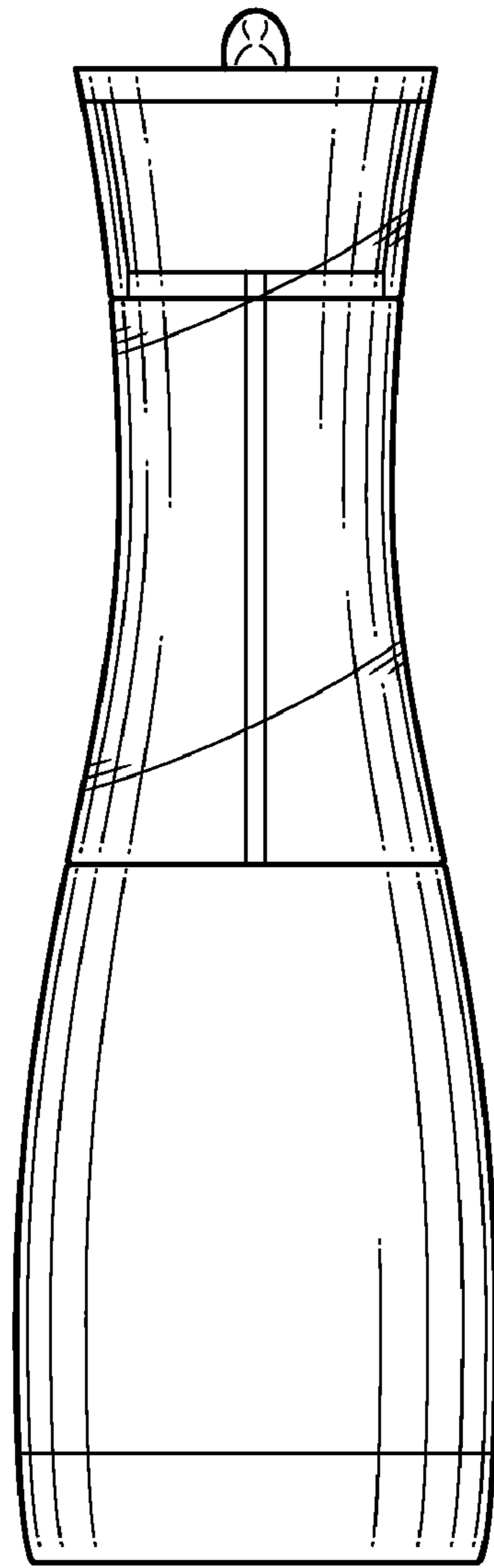


FIG. 6

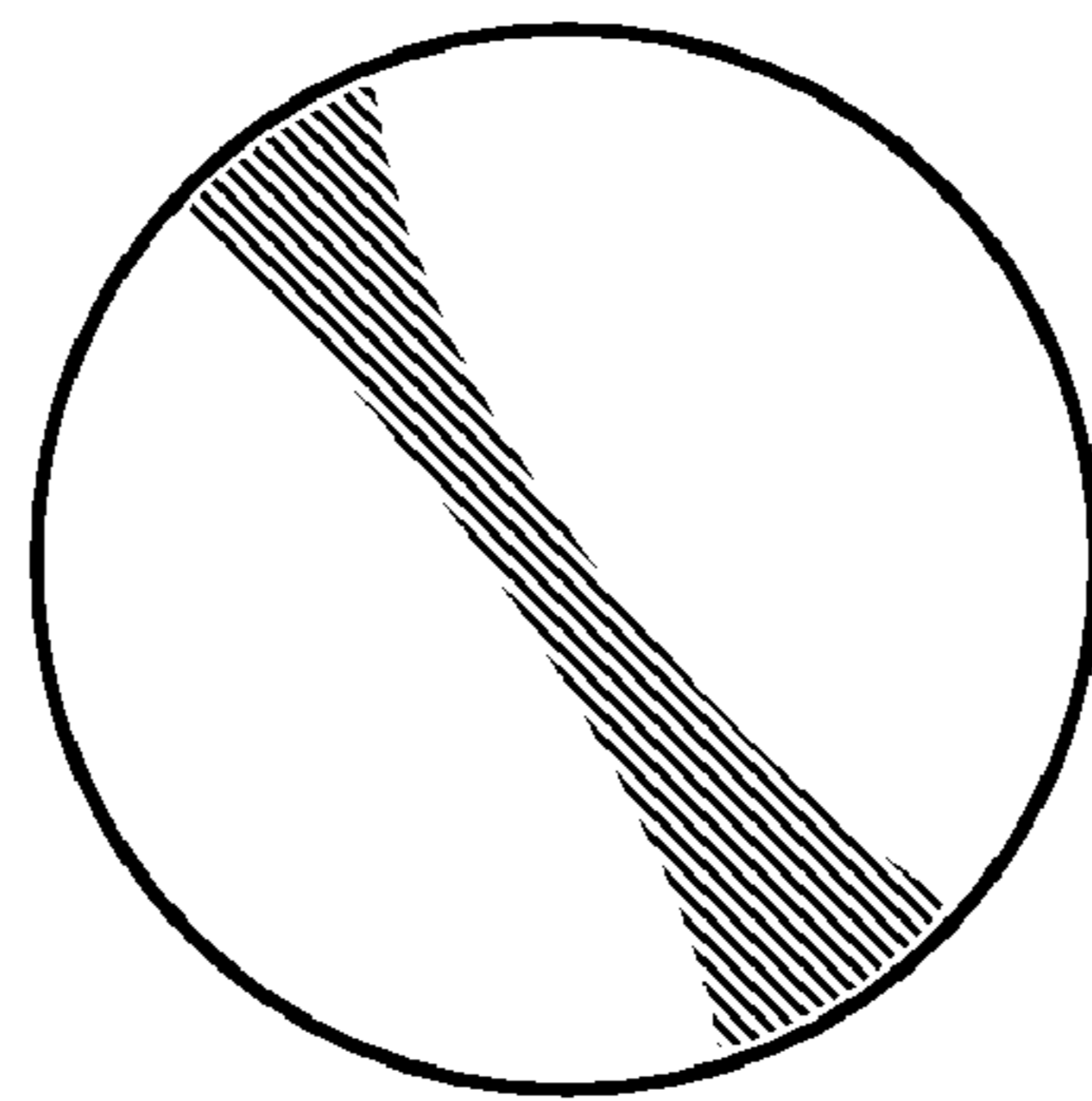


FIG. 7