



US00D560444S

(12) **United States Design Patent**
Chan

(10) **Patent No.:** **US D560,444 S**
(45) **Date of Patent:** **** Jan. 29, 2008**

(54) **FAT SEPARATOR COVER**

(75) Inventor: **David Chan**, Scarborough (CA)

(73) Assignee: **Browne & Co.**, Ontario (CA)

(**) Term: **14 Years**

(21) Appl. No.: **29/272,485**

(22) Filed: **Feb. 9, 2007**

(51) **LOC (8) Cl.** **07-04**

(52) **U.S. Cl.** **D7/667**

(58) **Field of Classification Search** D7/667,
D7/668, 400; 210/464, 465, 470-478, 498,
210/499; 99/495, 501-513

See application file for complete search history.

(56) **References Cited**

U.S. PATENT DOCUMENTS

- 4,452,581 A * 6/1984 Panehal 210/469
- 4,938,375 A * 7/1990 Fantacone 210/464
- D345,889 S * 4/1994 Herricks D7/667
- 6,126,018 A * 10/2000 Cone et al. 210/469
- 6,263,781 B1 * 7/2001 Calagui 210/474
- D457,787 S * 5/2002 Liu D7/667
- 6,497,818 B1 * 12/2002 Bunn 210/470

7,008,214 B2 * 3/2006 Faddi 210/470

* cited by examiner

Primary Examiner—Terry A Wallace

(74) *Attorney, Agent, or Firm*—Gowling Lafleur Henderson LLP

(57) **CLAIM**

The ornamental design for a fat separator cover, as shown and described.

DESCRIPTION

FIG. 1 is a front perspective view of the fat separator cover showing one aspect of my new design;

FIG. 2 is a back perspective view thereof;

FIG. 3 is a side view thereof;

FIG. 4 is a top view thereof;

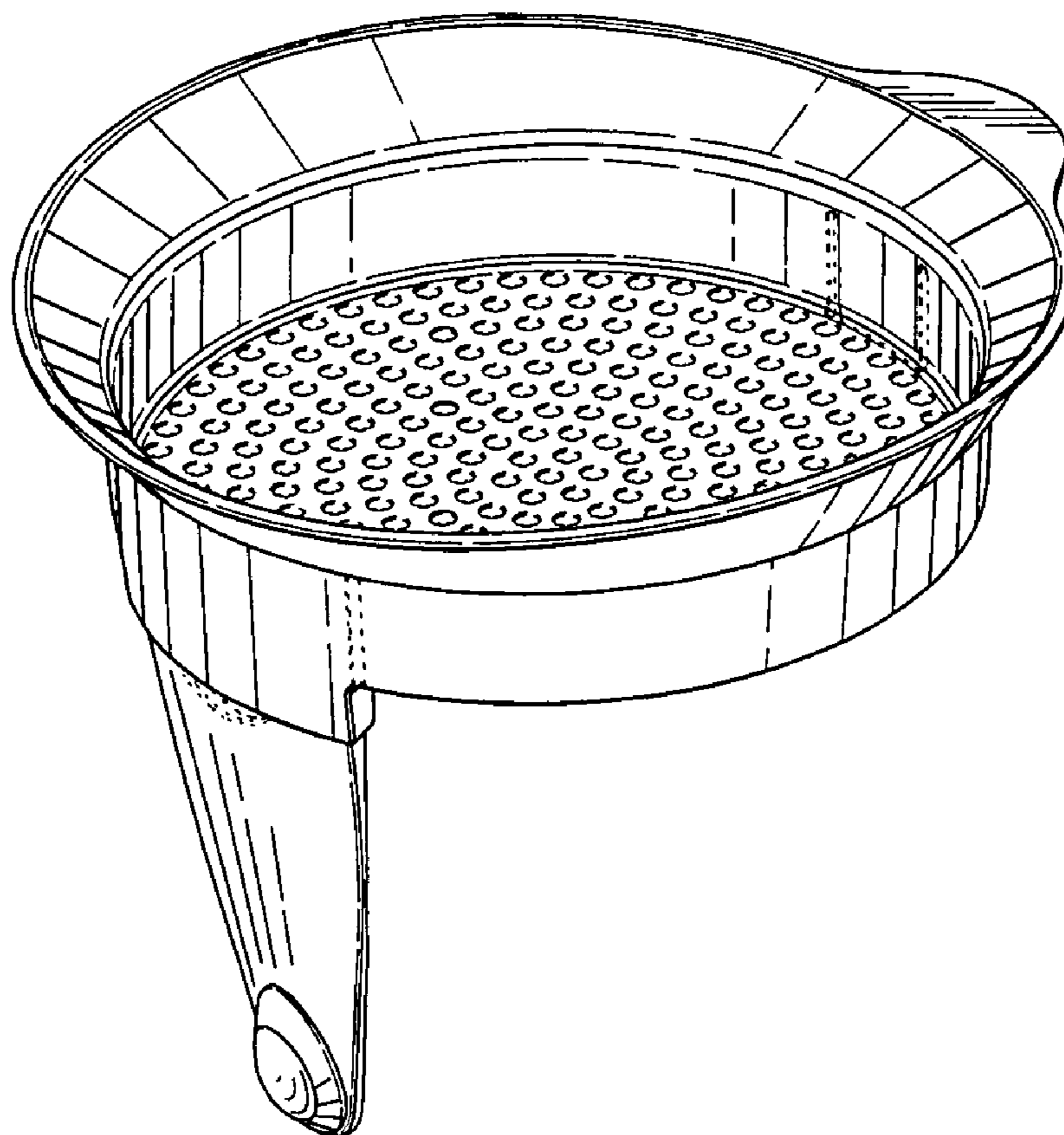
FIG. 5 is a back view thereof;

FIG. 6 is a front view thereof; and,

FIG. 7 is a perspective view of the fat separator cover placed on a container shown in broken lines.

The broken lines are for illustrative purposes only and form no part of the claimed design.

1 Claim, 4 Drawing Sheets



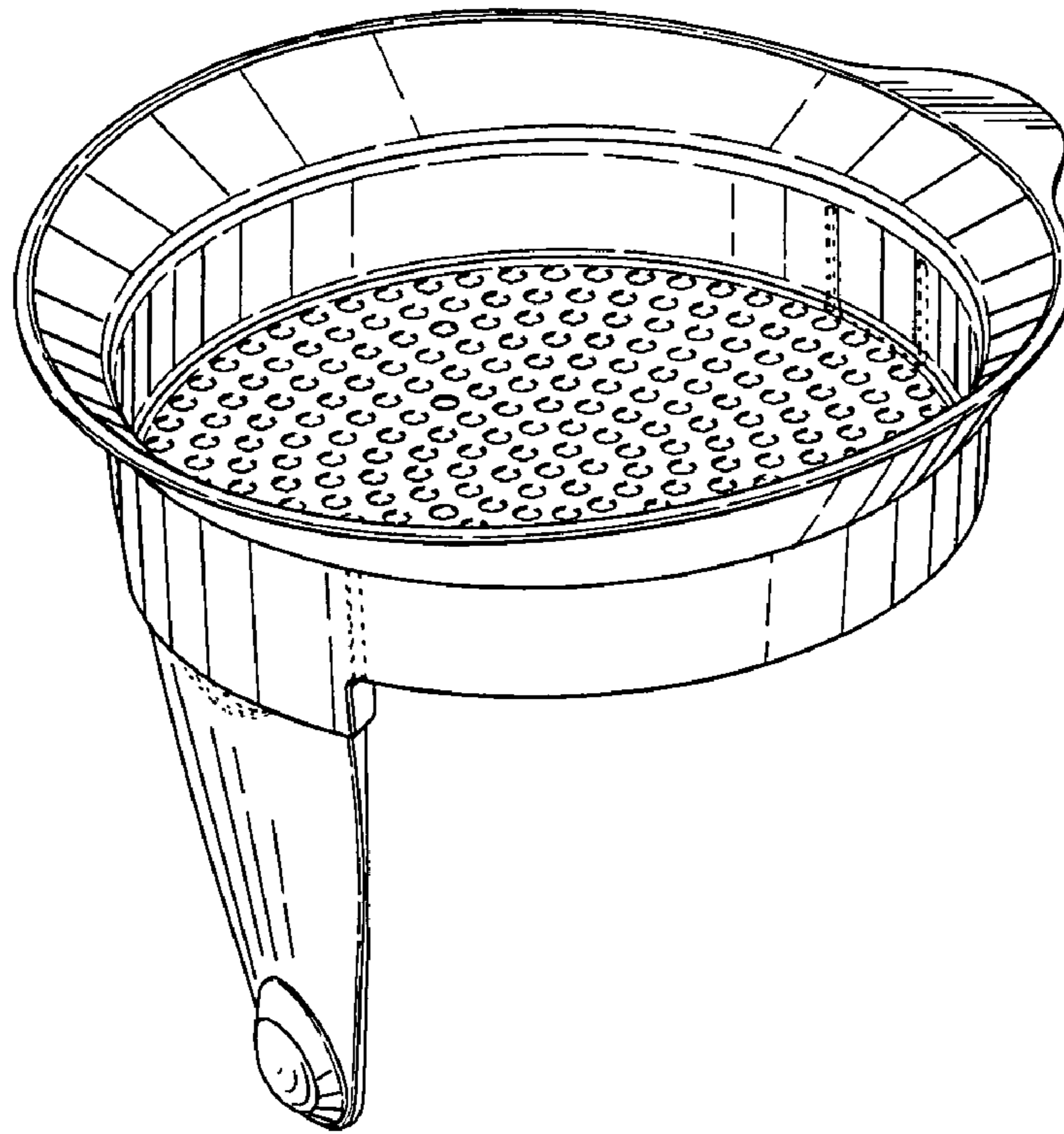


FIG. 1

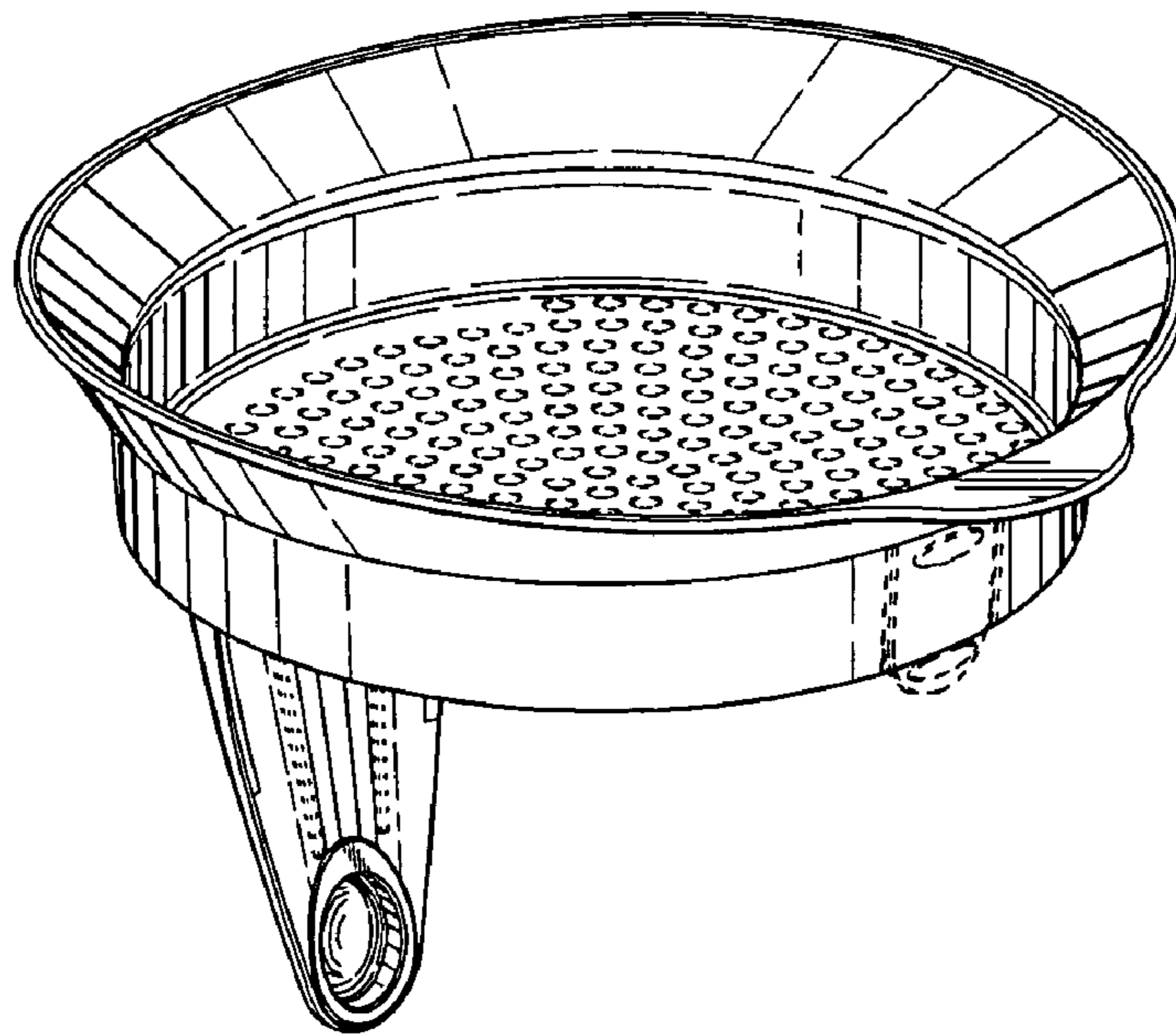


FIG. 2

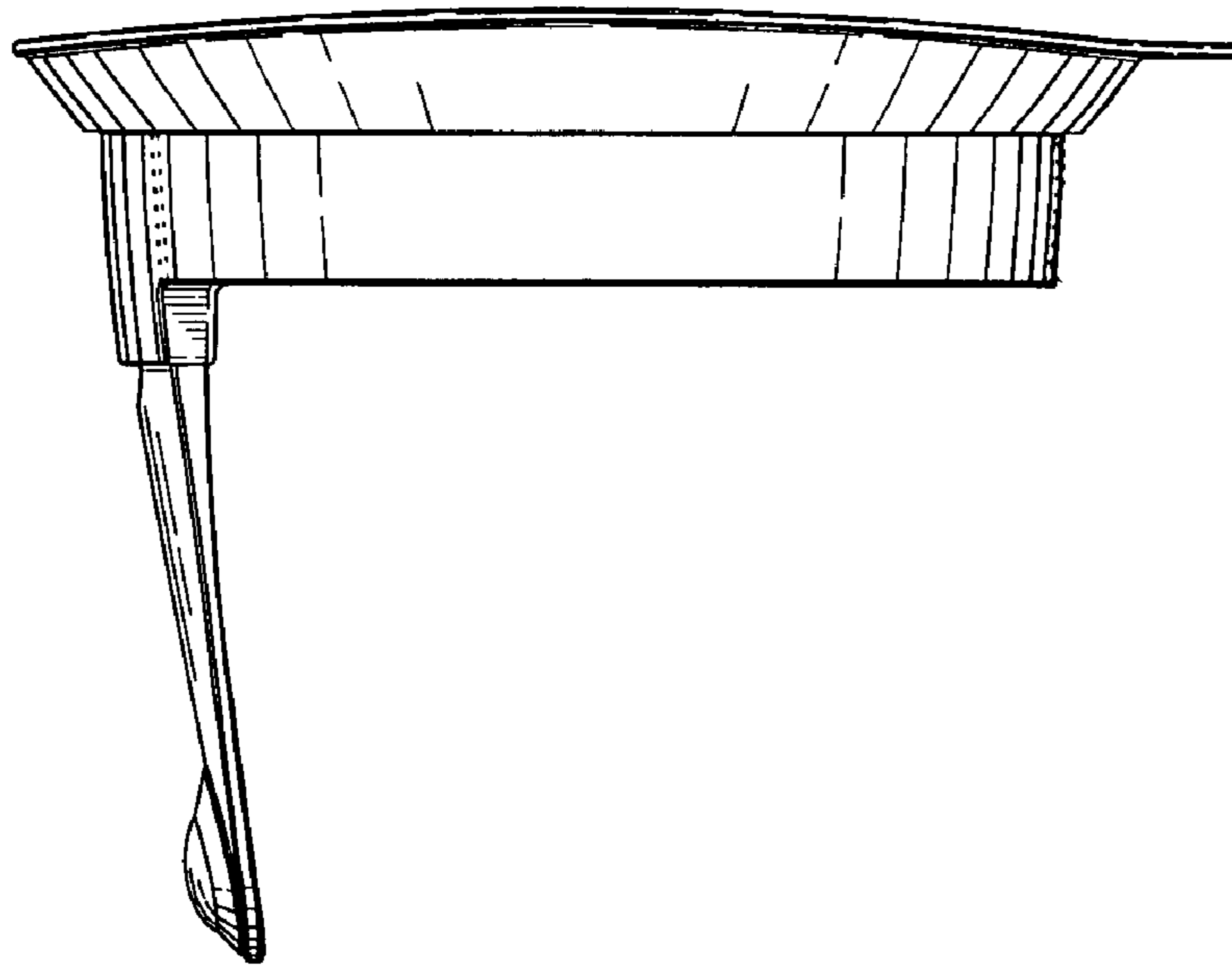


FIG.3

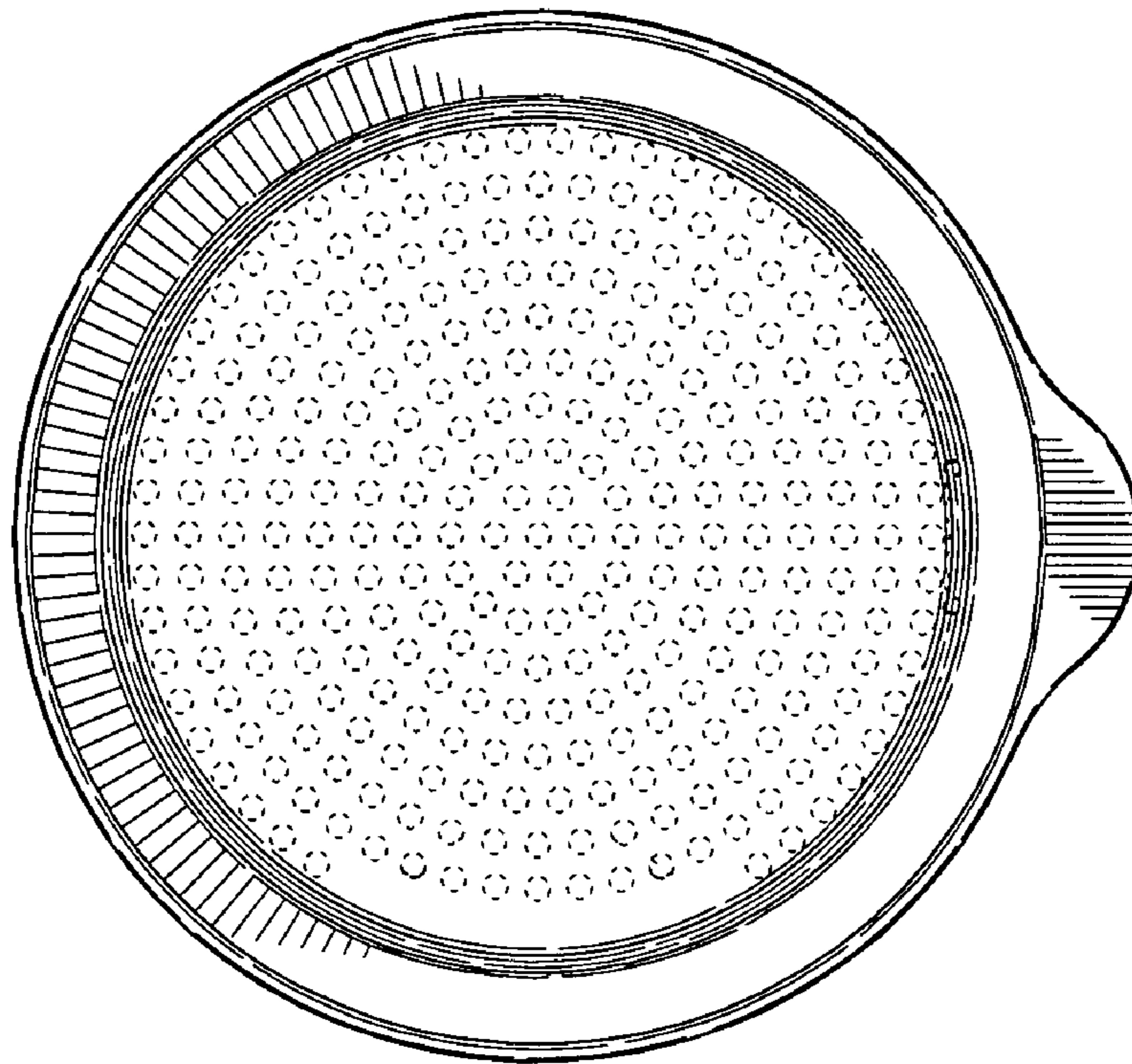


FIG.4

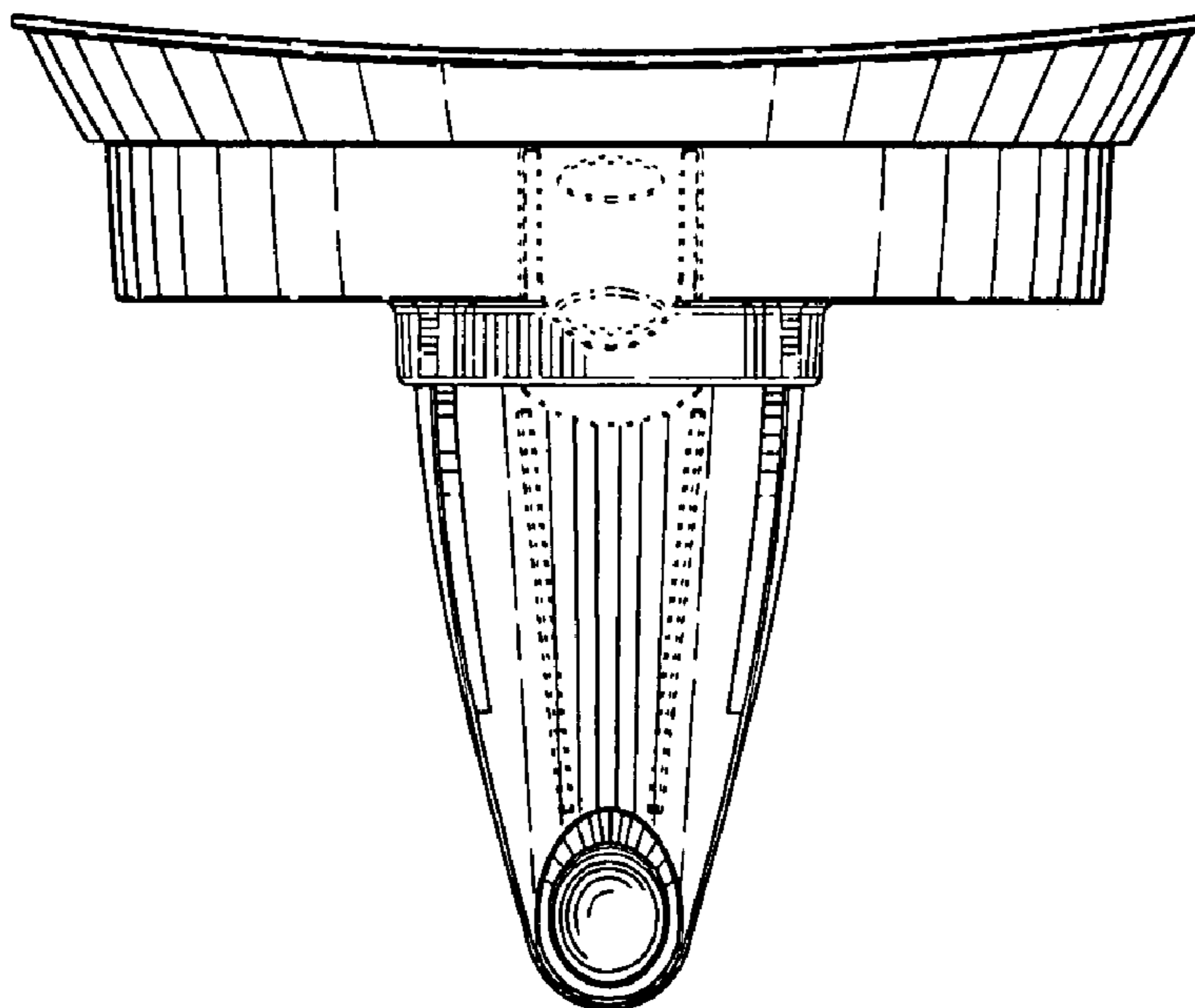


FIG.5

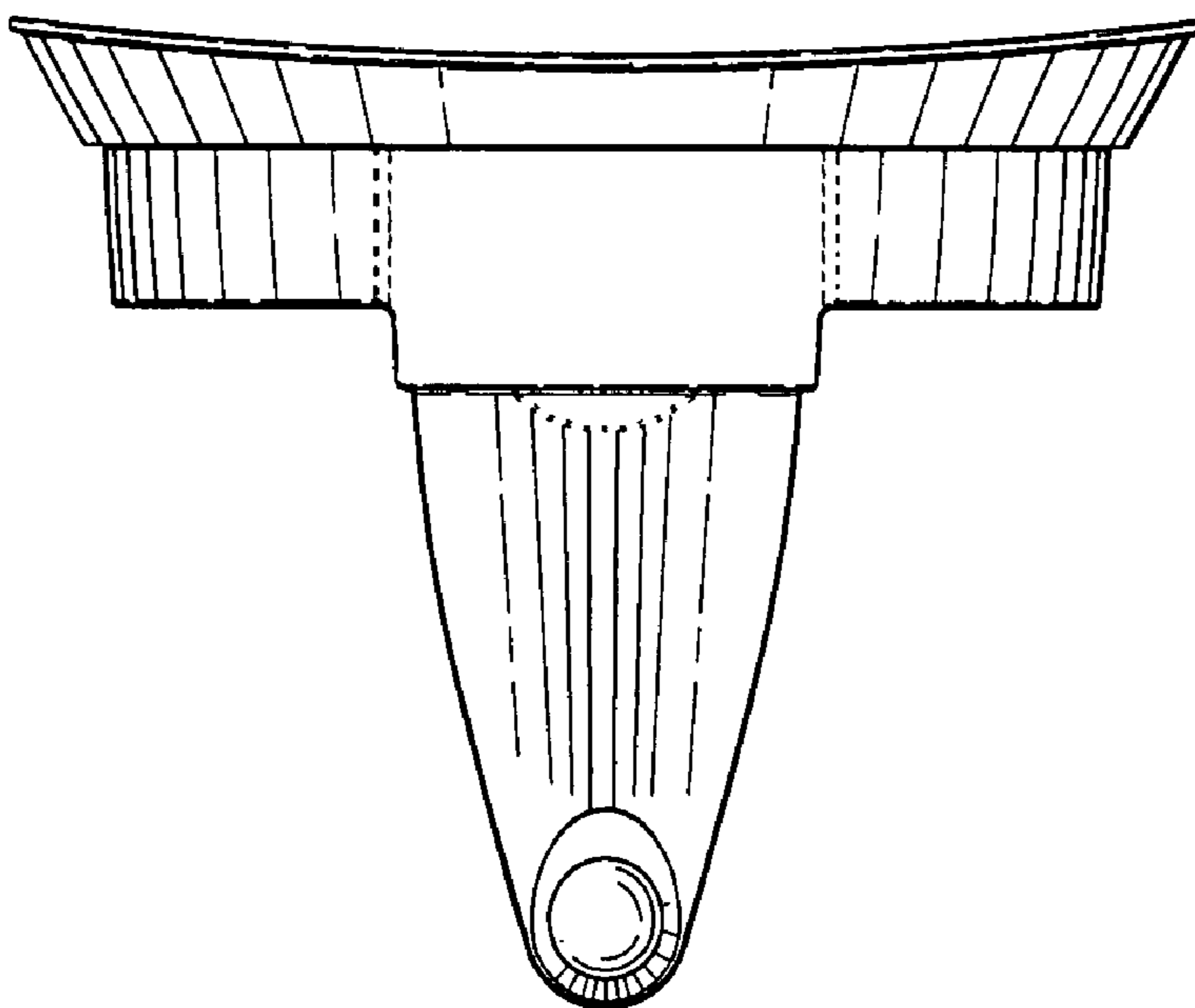


FIG.6

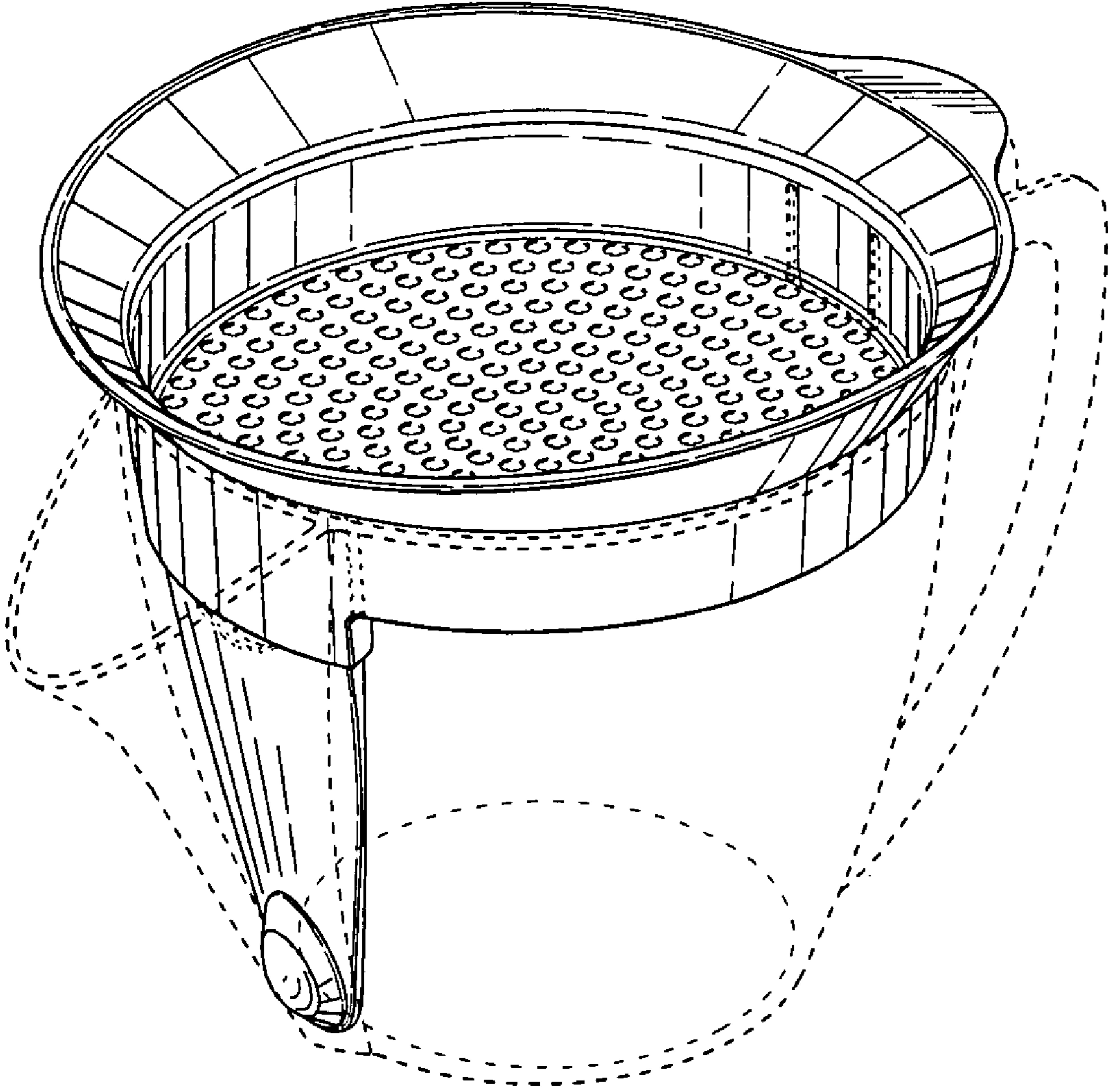


FIG.7