

US00D560441S

(12) **United States Design Patent**
Kacmarynski

(10) **Patent No.:** **US D560,441 S**

(45) **Date of Patent:** **** Jan. 29, 2008**

(54) **BOTTLE HOLDER**

5,460,298 A * 10/1995 DiBiase et al. 222/173
5,560,406 A * 10/1996 Fineroff et al. 141/375

(76) Inventor: **Raymond P. Kacmarynski**, 309
Quimby St., Ida Grove, IA (US) 51445

* cited by examiner

(**) Term: **14 Years**

Primary Examiner—Terry A Wallace

(74) *Attorney, Agent, or Firm*—William E. Hein

(21) Appl. No.: **29/273,363**

(22) Filed: **Mar. 2, 2007**

(57) **CLAIM**

The ornamental design for a bottle holder, as shown and described.

(51) **LOC (8) Cl.** **07-06**

(52) **U.S. Cl.** **D7/619.1**

(58) **Field of Classification Search** D7/619.1–625,
D7/701, 707, 708; 211/71.01, 74; 215/399;
248/311.2, 312.1, 311.3, 108, 109, 94, 176.2;
D9/455; 141/363–375, 391

See application file for complete search history.

DESCRIPTION

FIG. 1 is a perspective view of a bottle holder showing my new design, the broken line showing of a bottle being for purposes of illustrating environmental structure forming no part of the claimed design;

FIG. 2 is a front elevation view, the rear, left side, and right side elevation views being identical thereto; and,

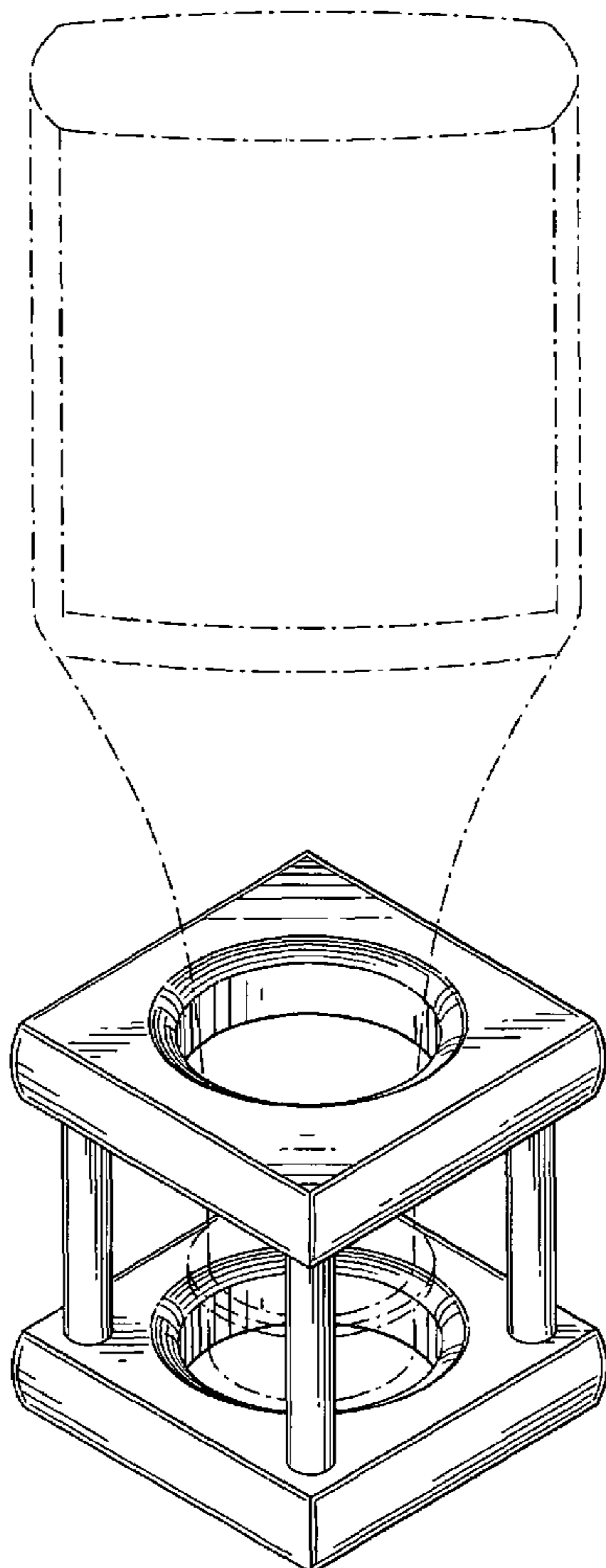
FIG. 3 is a top plan view, the bottom plan view being identical thereto.

(56) **References Cited**

U.S. PATENT DOCUMENTS

D138,395 S * 8/1944 Howard 248/176.2
3,230,986 A * 1/1966 Worley 141/375
D343,767 S * 2/1994 Sambrookes et al. D7/619.1

1 Claim, 1 Drawing Sheet



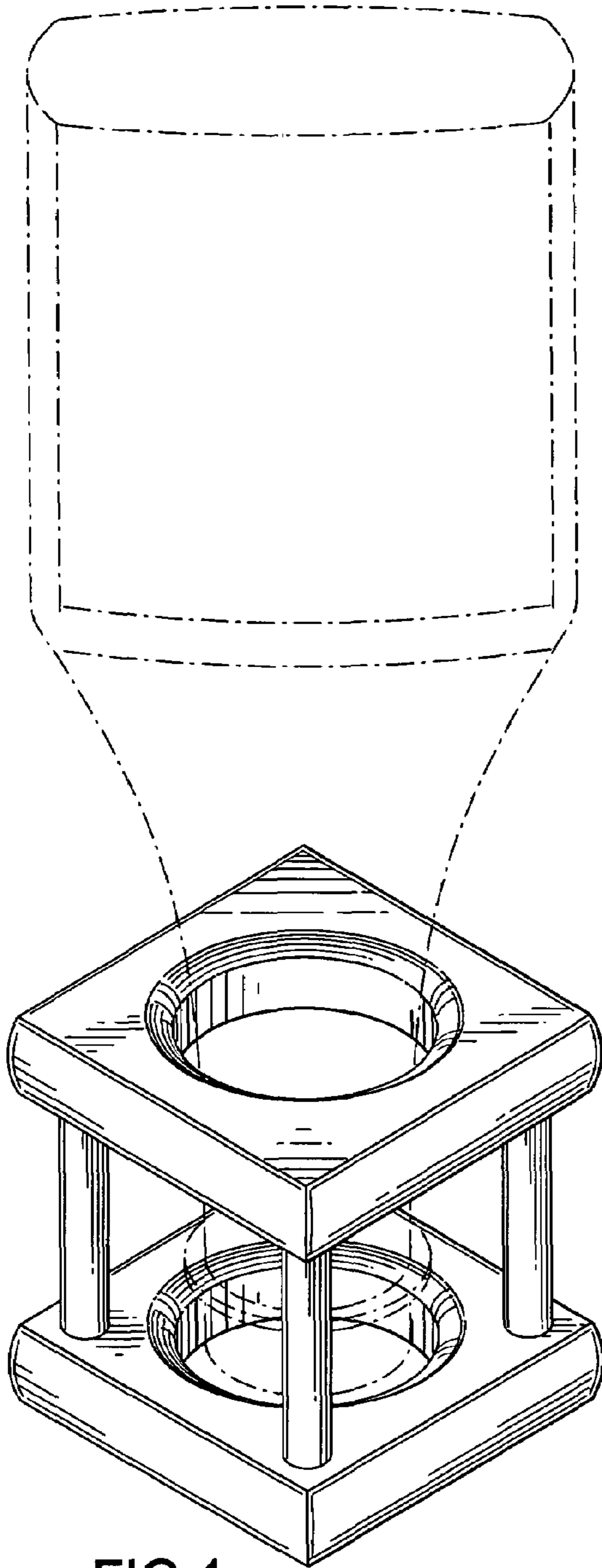


FIG.1

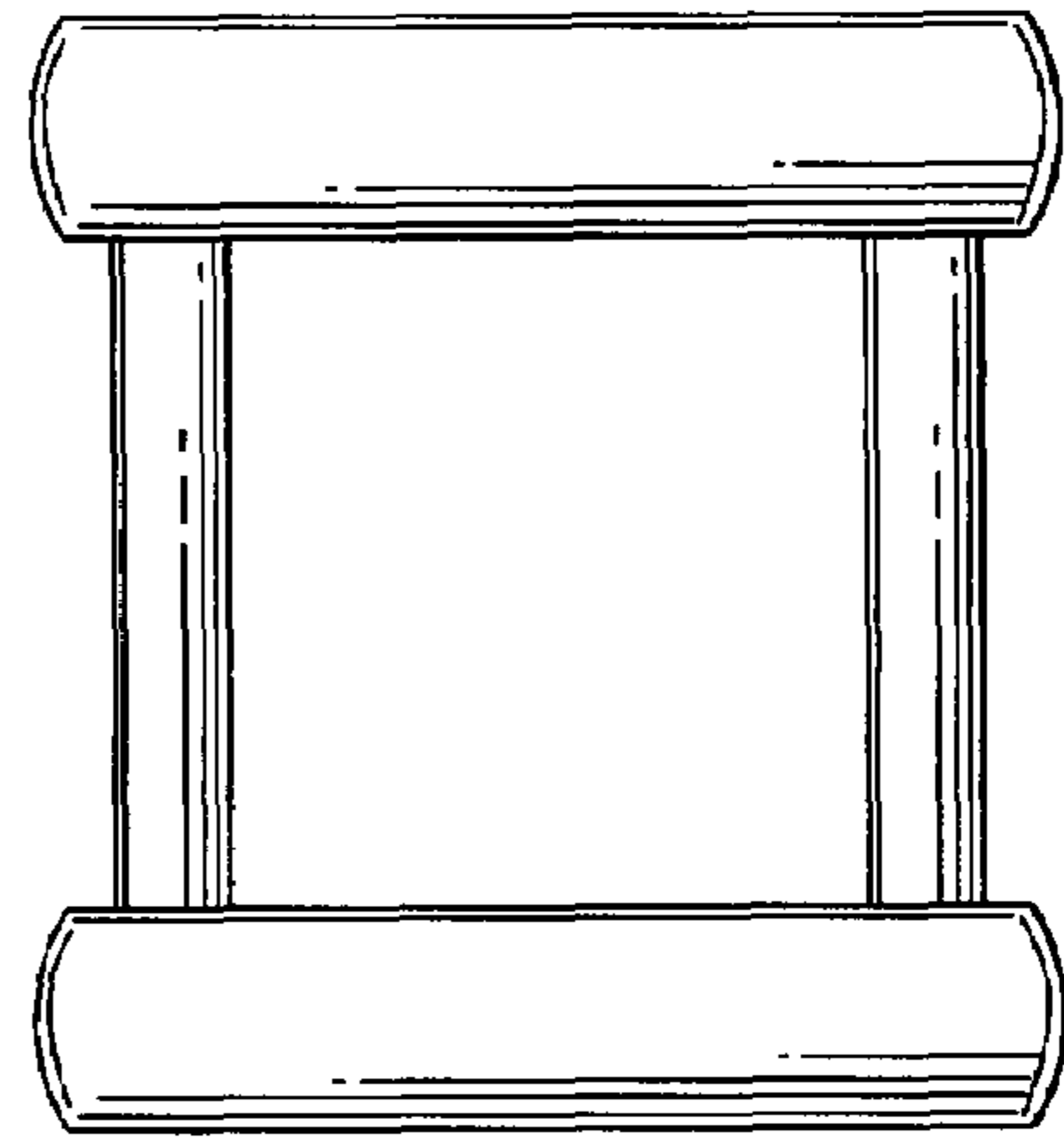


FIG.2

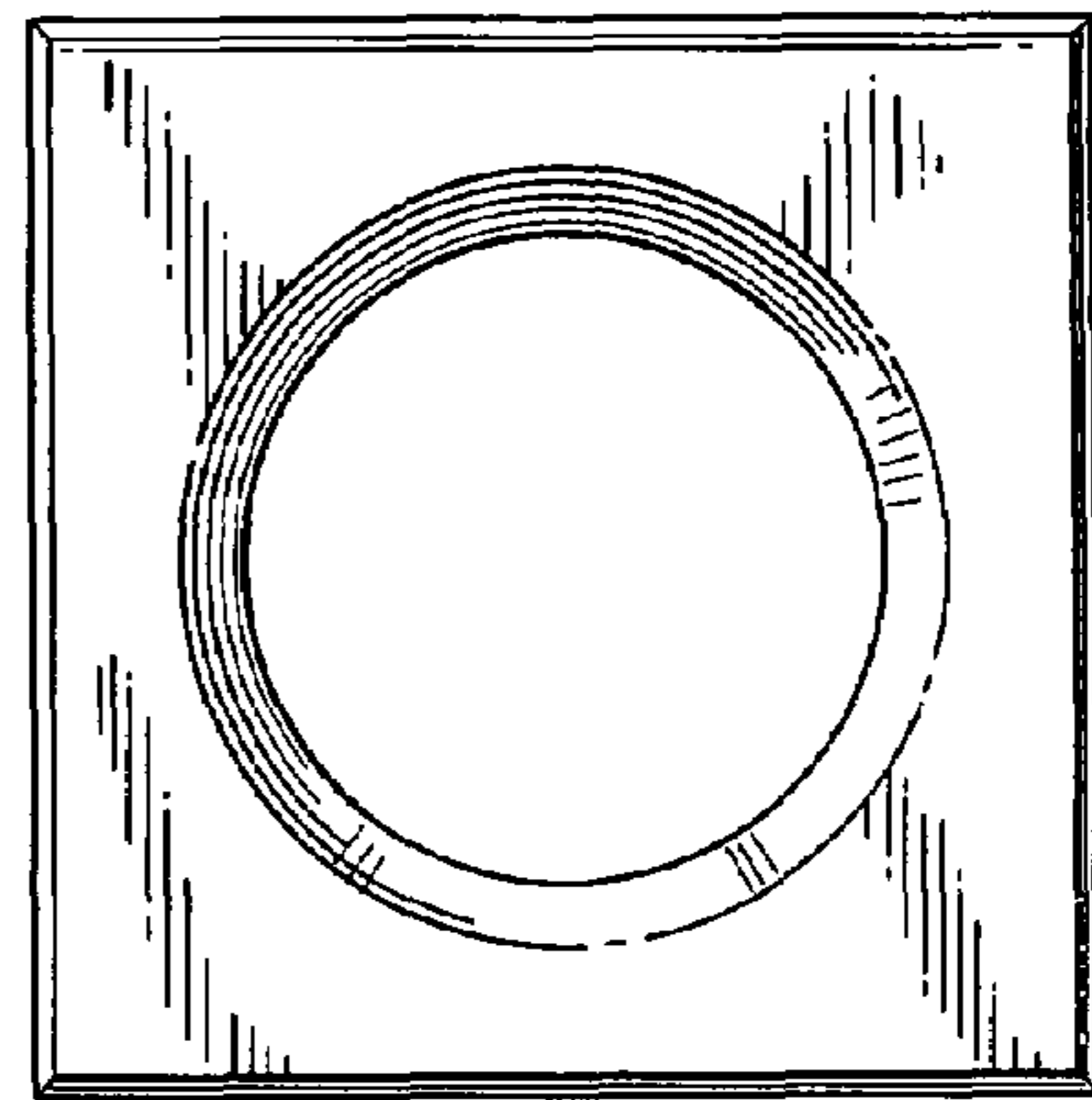


FIG.3