



US00D560437S

(12) **United States Design Patent**
Karam

(10) **Patent No.:** **US D560,437 S**

(45) **Date of Patent:** **** Jan. 29, 2008**

(54) **BEVERAGE CONTAINER**

(75) Inventor: **Carl Karam**, Granville (AU)

(73) Assignee: **Carl-Louis Pty Ltd.**, Granville (AU)

(**) Term: **14 Years**

(21) Appl. No.: **29/275,082**

(22) Filed: **Dec. 12, 2006**

(30) **Foreign Application Priority Data**

Jun. 16, 2006 (AU) 12606/2006

(51) **LOC (8) Cl.** **07-01**

(52) **U.S. Cl.** **D7/532; D7/523; D7/509**

(58) **Field of Classification Search** D7/396.1,
D7/396.2, 500, 509, 510, 511, 523, 524, 526-528,
D7/530-533, 536, 538, 540, 560, 565, 584;
D9/516, 519, 549, 555, 776, 778; 215/387,
215/DIG. 7; 220/560, 592.17, 703; 229/400,
229/406

See application file for complete search history.

(56) **References Cited**

U.S. PATENT DOCUMENTS

D104,342 S * 5/1937 Duncan D7/529
D109,474 S * 5/1938 Connor D34/1
3,495,736 A * 2/1970 Ragettli 220/670
D376,731 S * 12/1996 Lin D7/536

D420,284 S * 2/2000 Sagel D9/428
D423,879 S * 5/2000 Lin D7/529
D486,036 S * 2/2004 Chuang D7/529
D486,694 S * 2/2004 McMullin D7/529
2005/0236468 A1 * 10/2005 Sadlier 229/403

* cited by examiner

Primary Examiner—Philip S. Hyder

Assistant Examiner—Cynthia Underwood

(74) *Attorney, Agent, or Firm*—Connolly Bove Lodge and Hutz

(57) **CLAIM**

I claim the ornamental design for a beverage container, as shown and described.

DESCRIPTION

FIG. 1 is a perspective view of a beverage container

FIG. 2 is a front view of the beverage container of FIG. 1;

FIG. 3 is a plan view of the beverage container of FIG. 1;

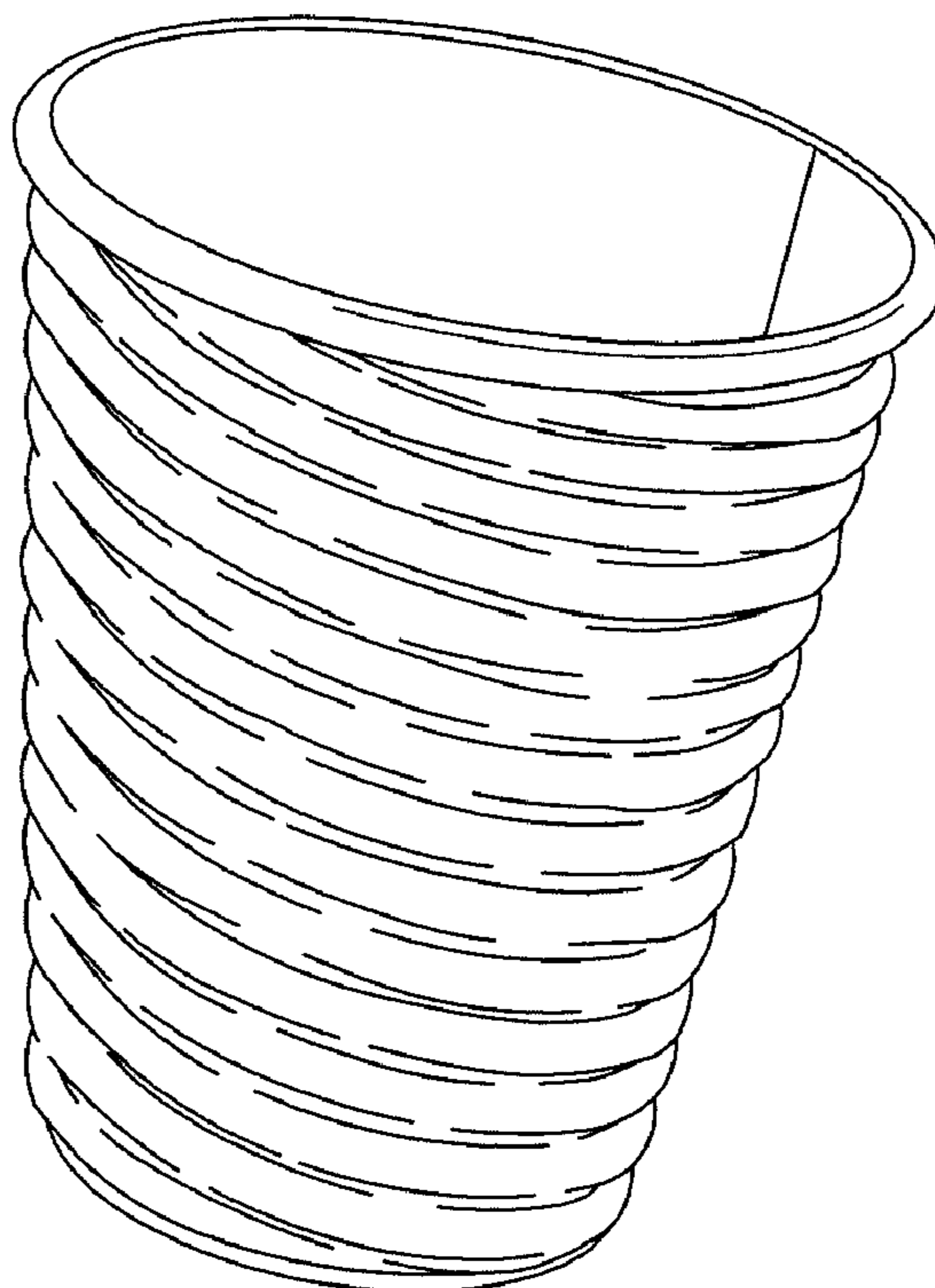
FIG. 4 is a right-hand side view of the beverage container of FIG. 1;

FIG. 5 is a left-hand side view of the beverage container of FIG. 1;

FIG. 6 is a rear view of the beverage container of FIG. 1; and,

FIG. 7 is a bottom view of the beverage container of FIG. 1.

1 Claim, 3 Drawing Sheets



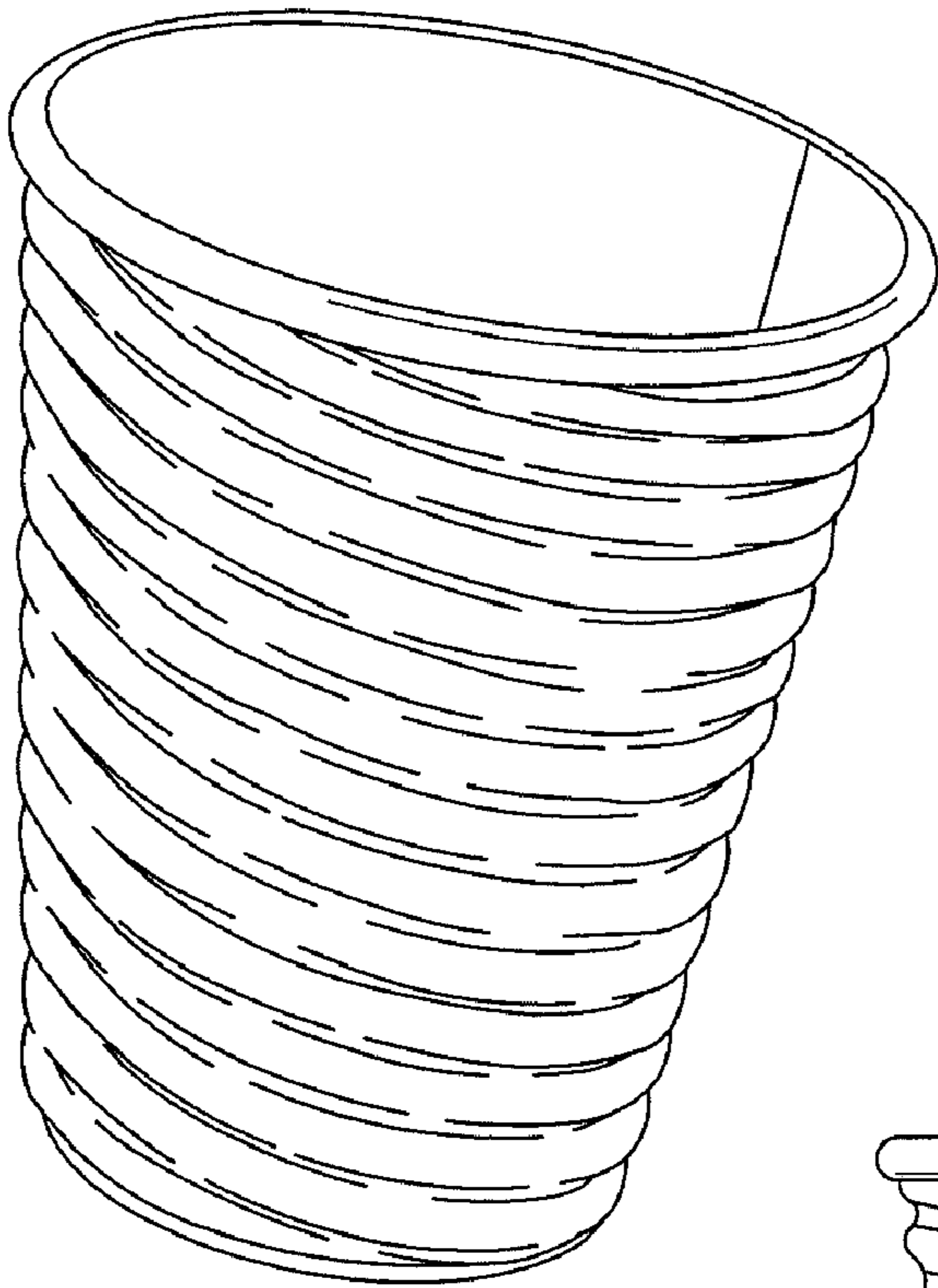


FIG. 1

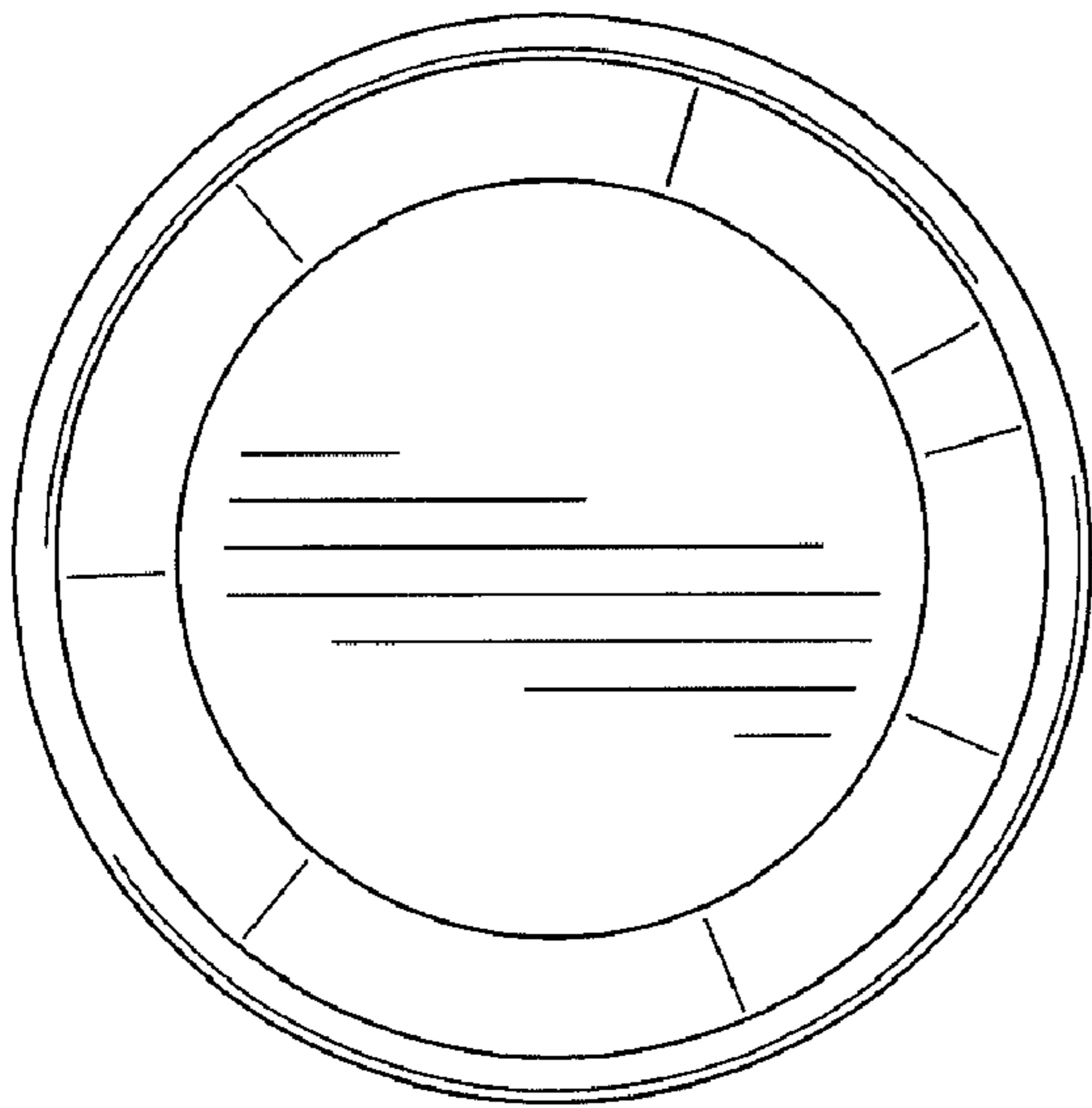


FIG. 2

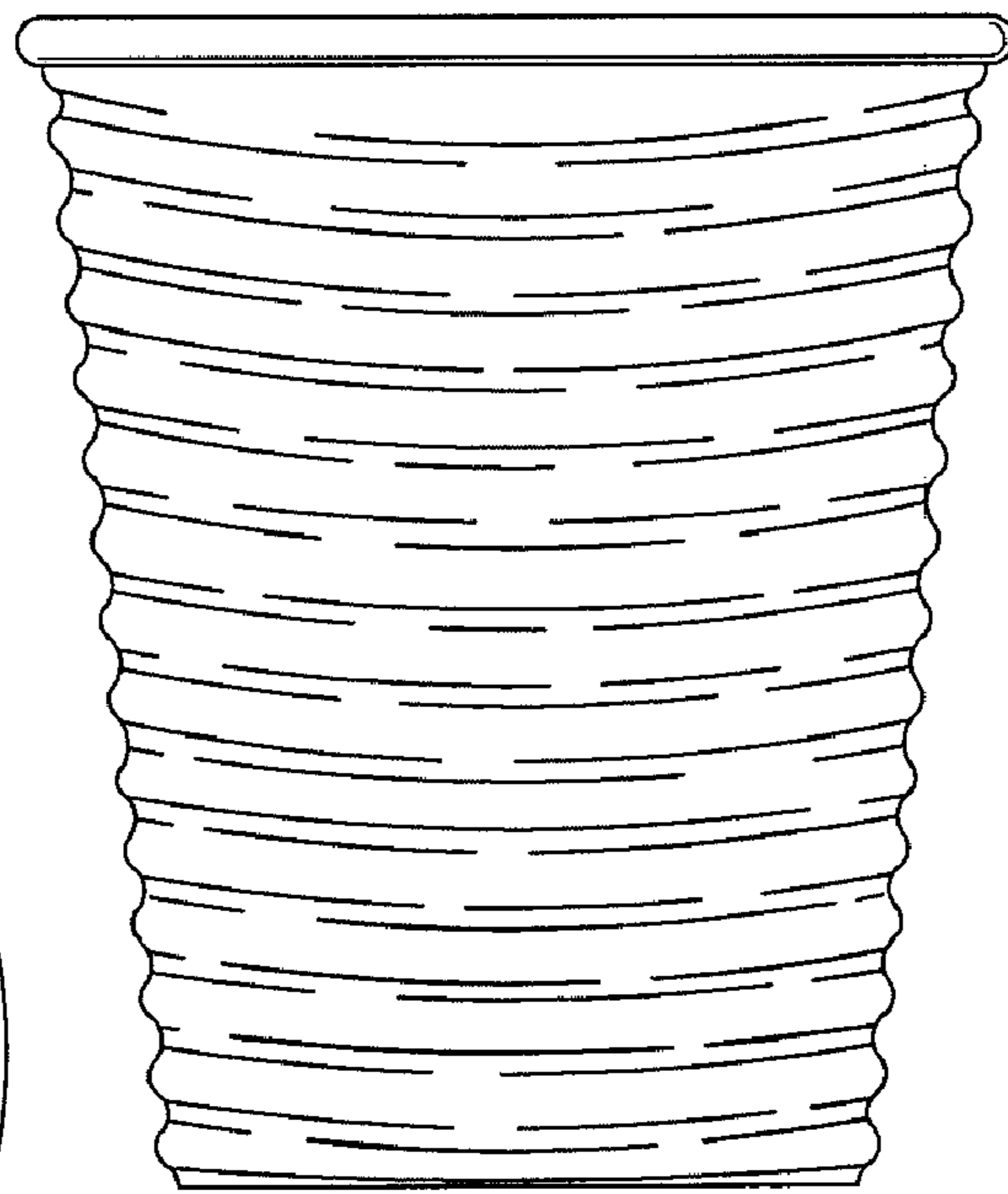


FIG. 3

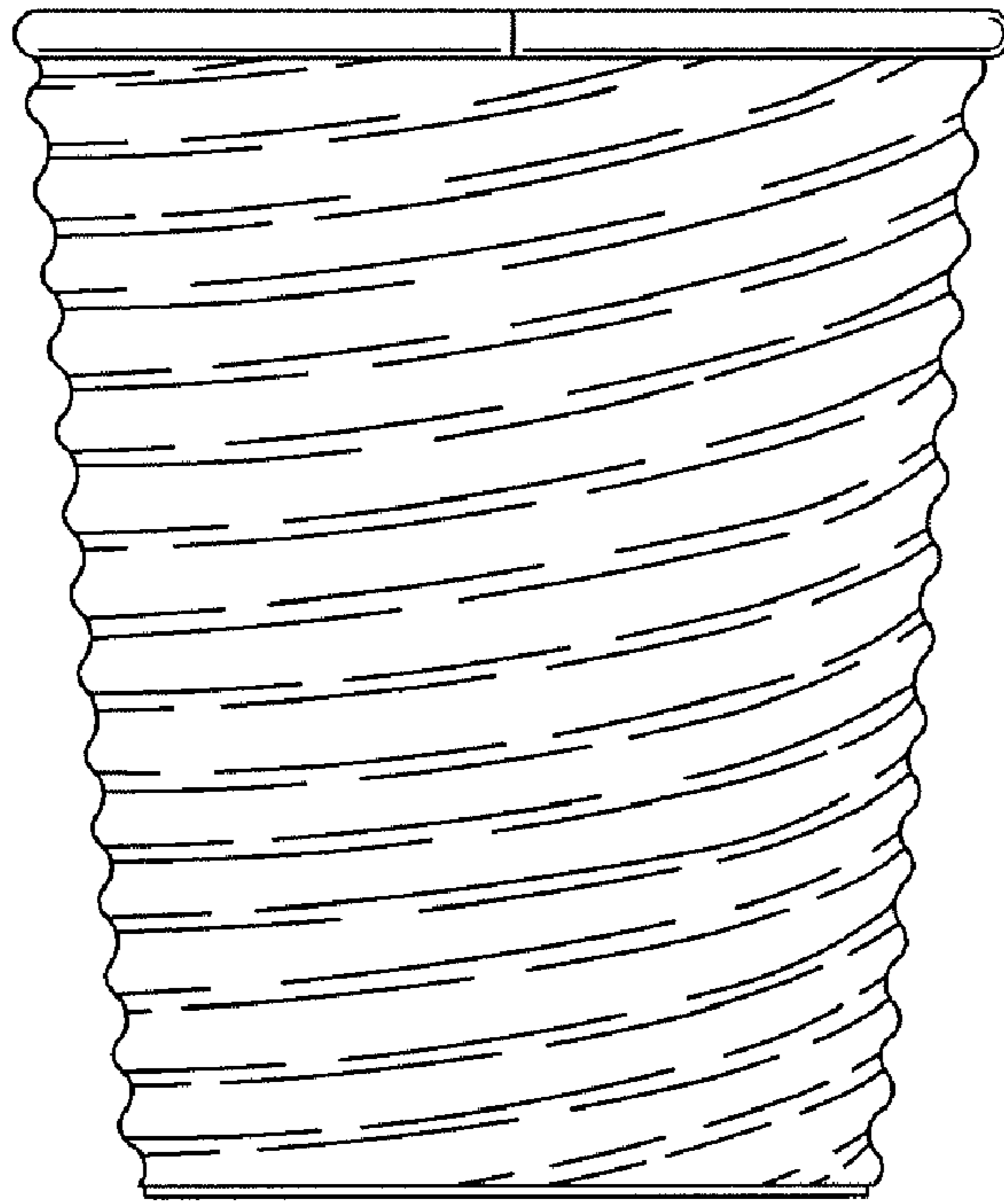


FIG. 4

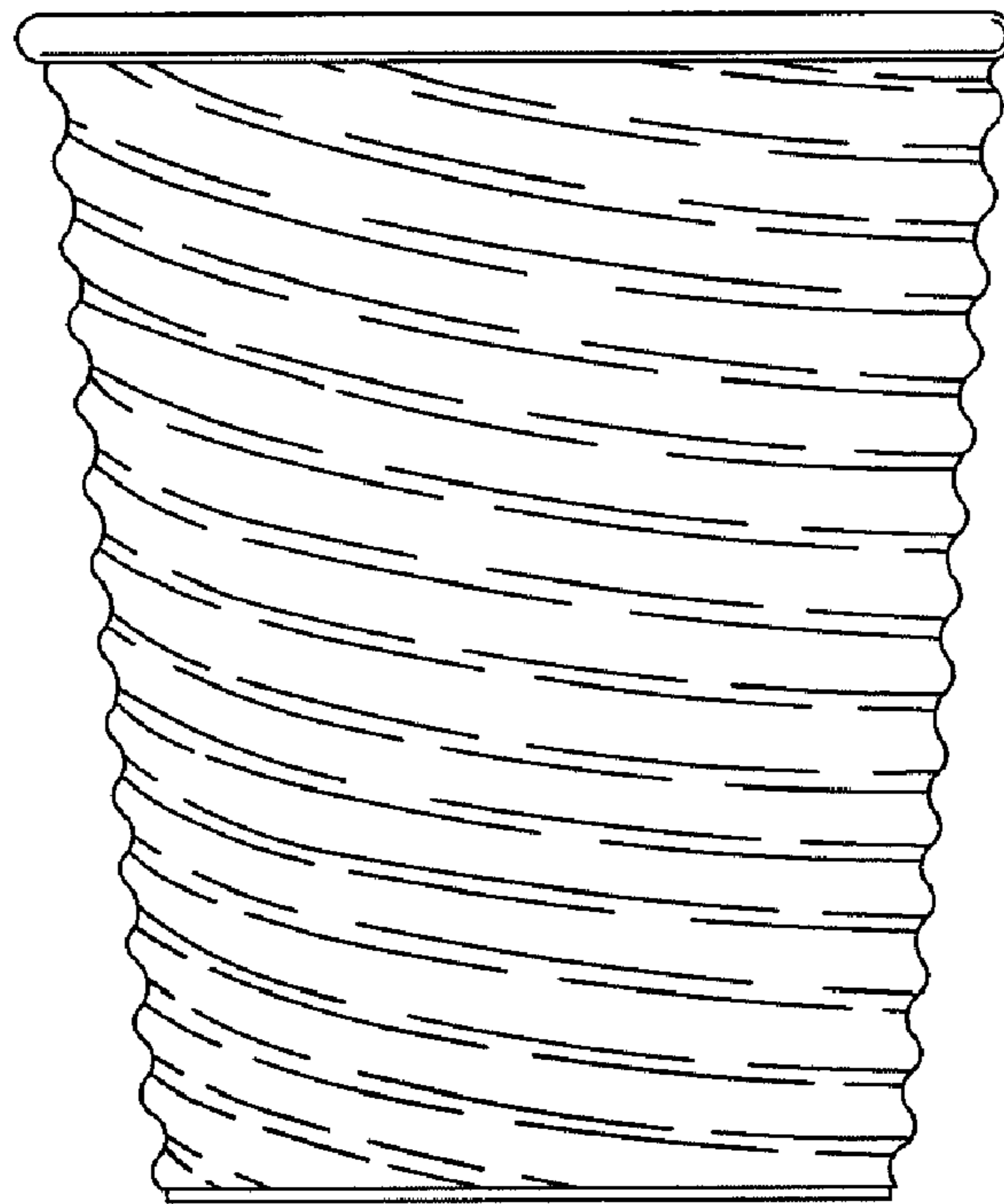


FIG. 5

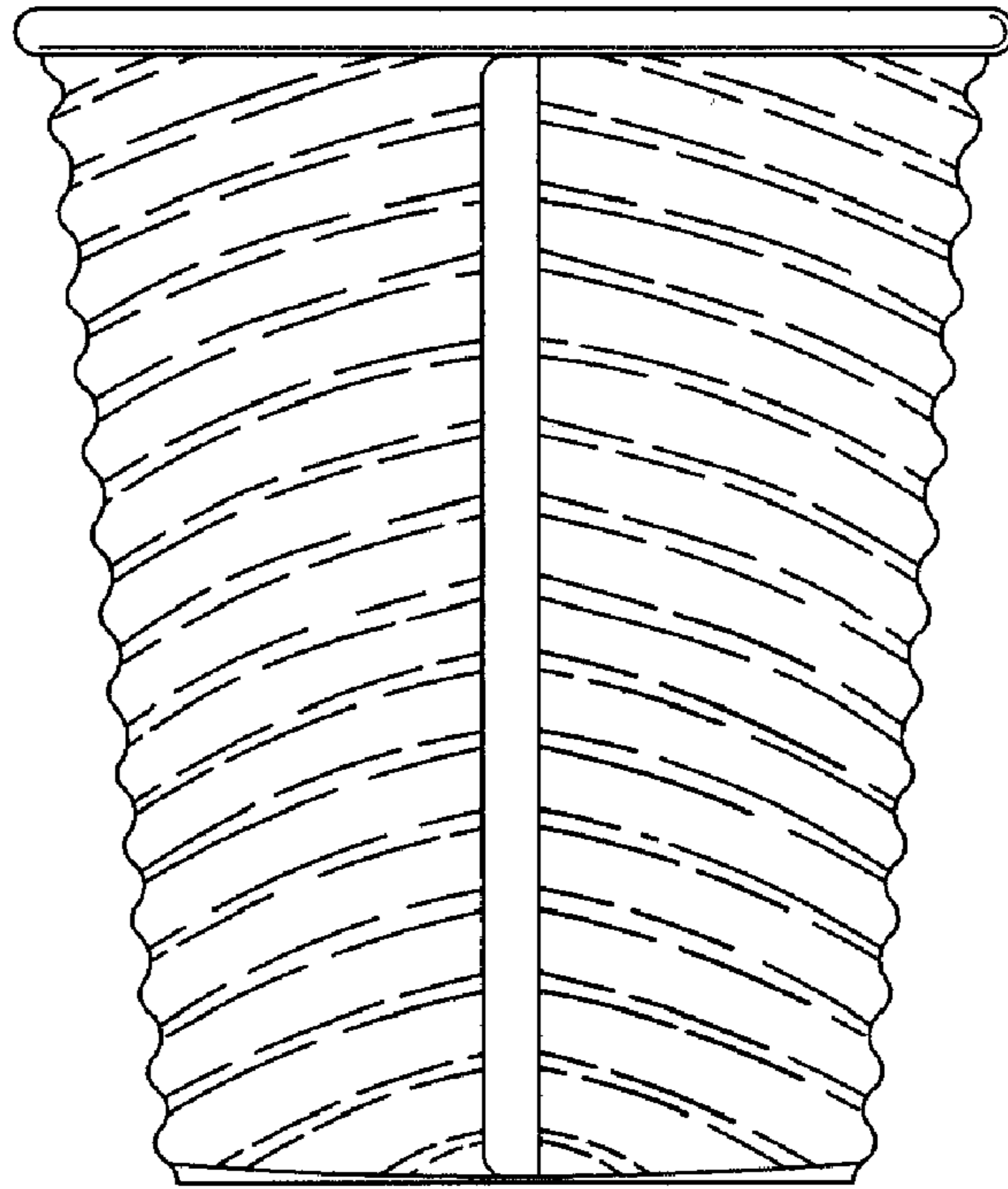


FIG. 6

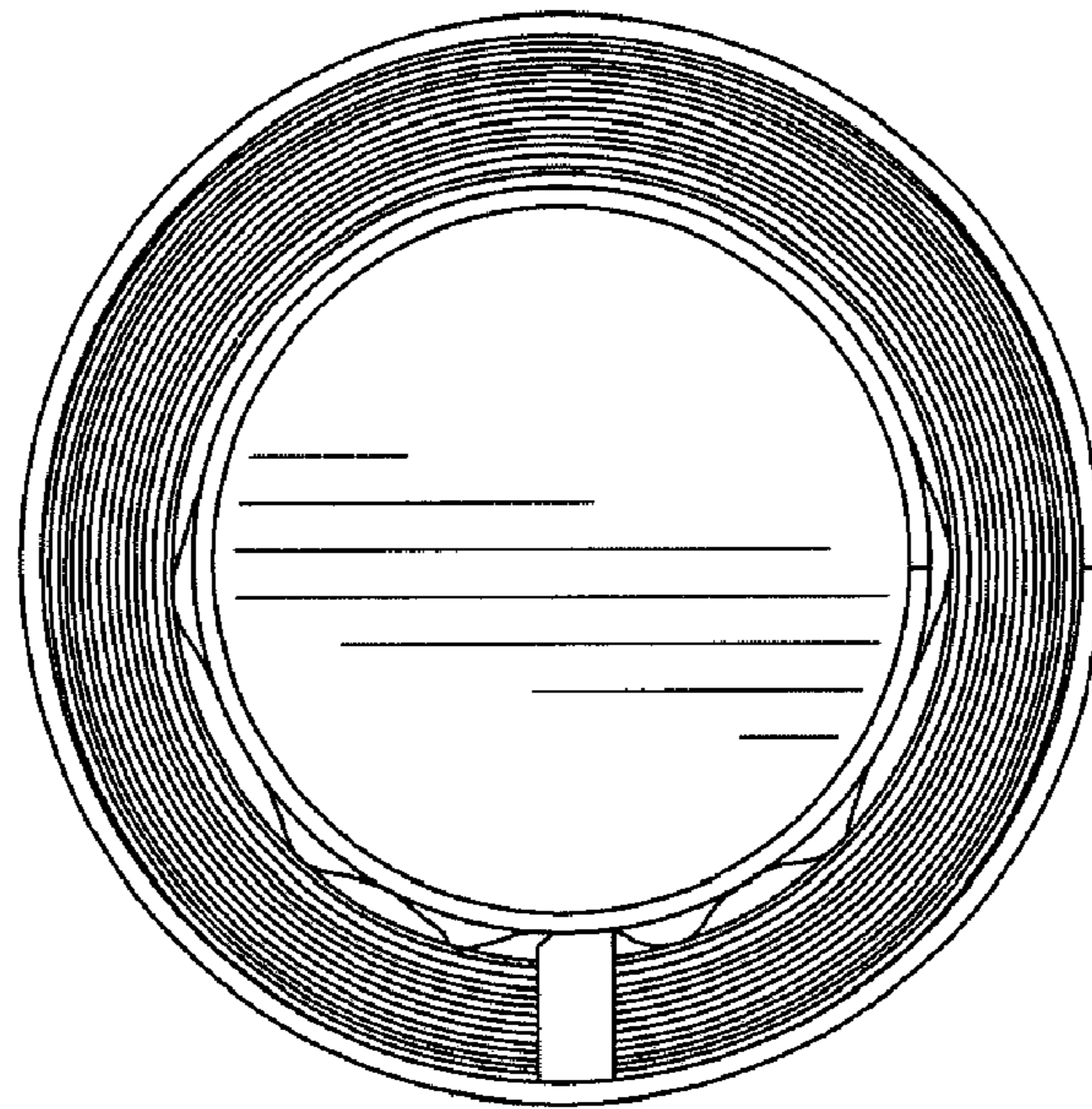


FIG. 7