

US00D560432S

(12) **United States Design Patent**
Feil

(10) **Patent No.:** **US D560,432 S**
(45) **Date of Patent:** **** Jan. 29, 2008**

(54) **KNEADING HOOK FOR KITCHEN MACHINE**

(75) Inventor: **Rolf Feil**, Günzburg (DE)

(73) Assignee: **BSH Bosch und Siemens Hausgeraete GmbH**, Munich (DE)

(**) Term: **14 Years**

(21) Appl. No.: **29/254,834**

(22) Filed: **Feb. 28, 2006**

(30) **Foreign Application Priority Data**

Aug. 29, 2005 (EM) 000401260

(51) **LOC (8) Cl.** **31-00**

(52) **U.S. Cl.** **D7/412**

(58) **Field of Classification Search** D7/376-387, D7/412, 414, 688-690, 510-511, 591-592, D7/619, 693; 99/348, 472, 485, 494, 505, 99/508, 535; 241/37.5, 168-169.1, 282.1-282.2, 241/292.1; 366/64-67, 94-100, 129-130, 366/135, 146, 173.2, 188, 192, 236.1, 241, 366/247, 279, 282, 288, 297, 318, 325.3, 366/325.92-325.94, 327.2, 328.2, 329.1, 366/347, 330.1-330.5, 331, 342-344; 416/69, 416/70 R, 71, 72, 76, 77, 227 R, 230, 240, 416/241 R, 241 A; 475/11

See application file for complete search history.

(56) **References Cited**

U.S. PATENT DOCUMENTS

841,296 A * 1/1907 Woodruff 366/98
1,175,530 A * 3/1916 Kirchhoff 475/11
1,766,942 A * 6/1930 Rataiczak et al. 366/288
2,306,245 A * 12/1942 Duke 366/98
3,576,168 A * 4/1971 Thylstrup et al. 366/98

4,337,000 A * 6/1982 Lehmann 366/288
4,504,152 A * 3/1985 Moller et al. 366/188
5,000,578 A * 3/1991 Artin et al. 366/297
5,312,183 A * 5/1994 Drocco 366/97
5,498,074 A * 3/1996 Moller et al. 366/94
5,758,963 A * 6/1998 Xie et al. 366/97
D493,067 S * 7/2004 Drees et al. D7/412
7,021,817 B2 * 4/2006 Huang et al. 366/331

* cited by examiner

Primary Examiner—Caron D. Veynar

Assistant Examiner—Ricky Pham

(74) *Attorney, Agent, or Firm*—Russell W. Warnock; James E. Howard

(57) **CLAIM**

The ornamental design for a kneading hook for kitchen machine, as shown and described.

DESCRIPTION

FIG. 1 is a perspective view of a kneading hook for kitchen machine showing my ornamental design; and

FIG. 2 is a top view of the kneading hook for kitchen machine embodiment shown in FIG. 1; and

FIG. 3 is a left view of the kneading hook for kitchen machine embodiment shown in FIG. 1; and

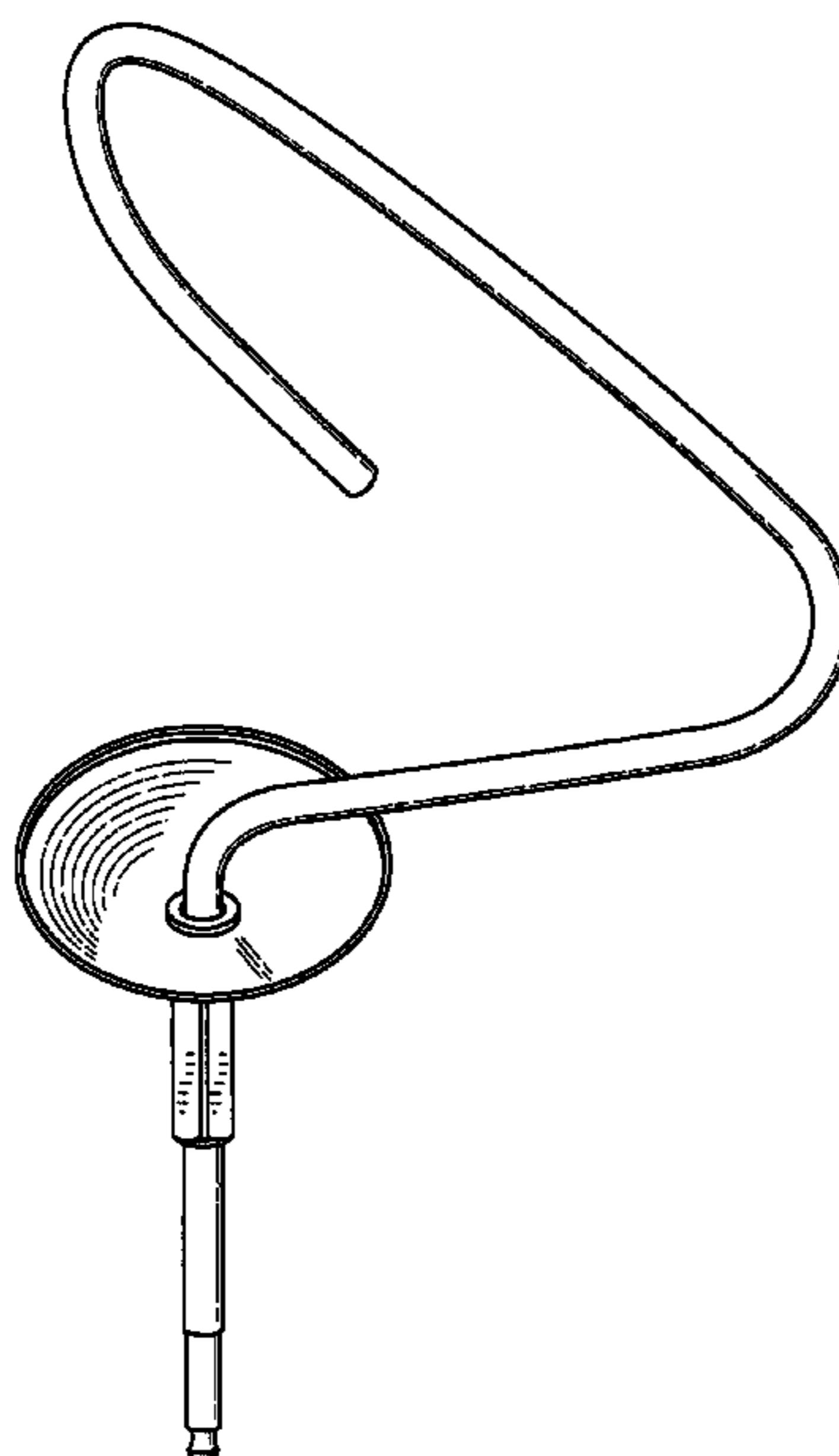
FIG. 4 is a right view of the kneading hook for kitchen machine embodiment shown in FIG. 1; and

FIG. 5 is a rear view of the kneading hook for kitchen machine embodiment shown in FIG. 1; and

FIG. 6 is a front view of the kneading hook for kitchen machine embodiment shown in FIG. 1; and,

FIG. 7 is a bottom view of the kneading hook for kitchen machine embodiment shown in FIG. 1.

1 Claim, 7 Drawing Sheets



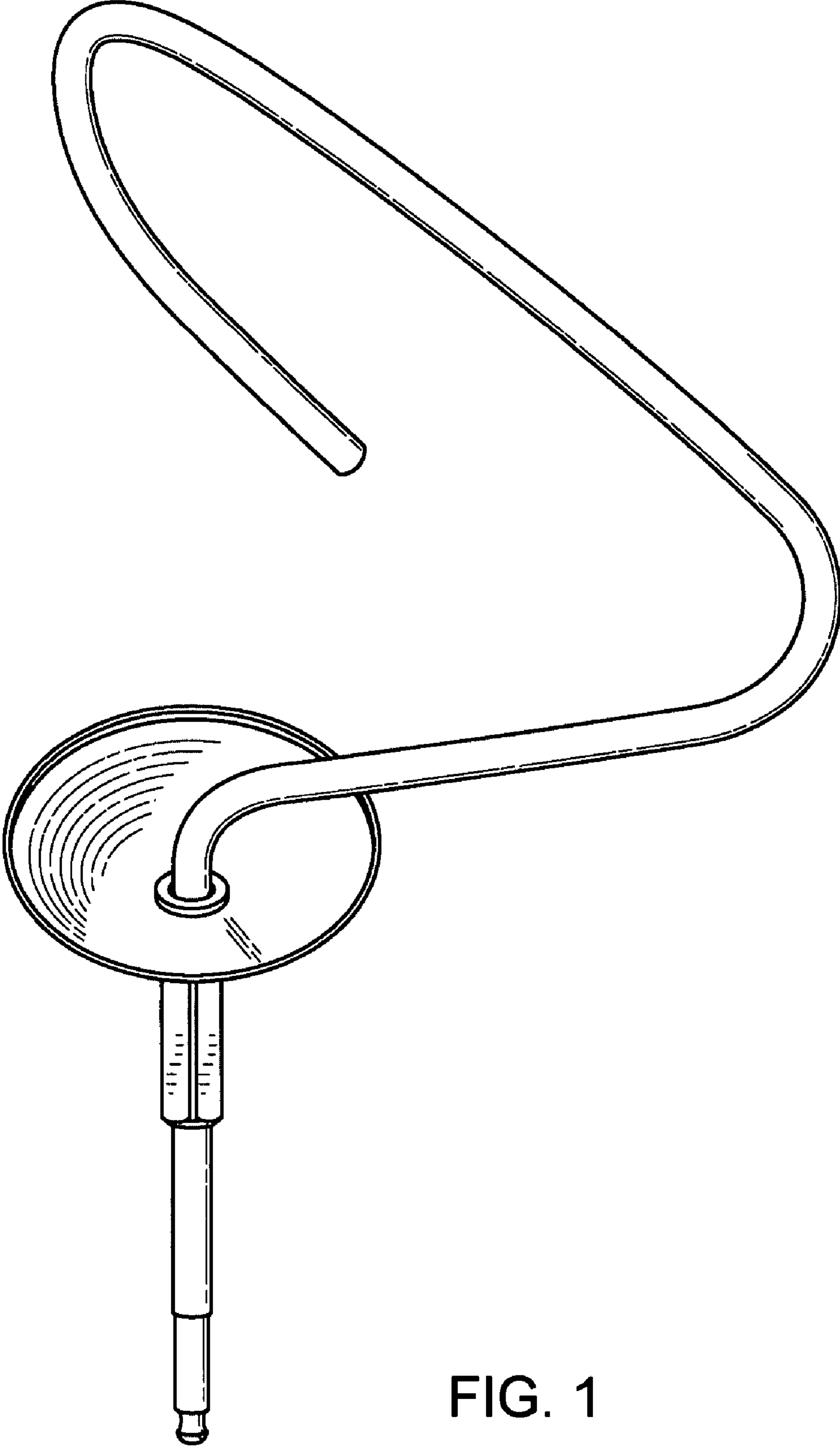


FIG. 1

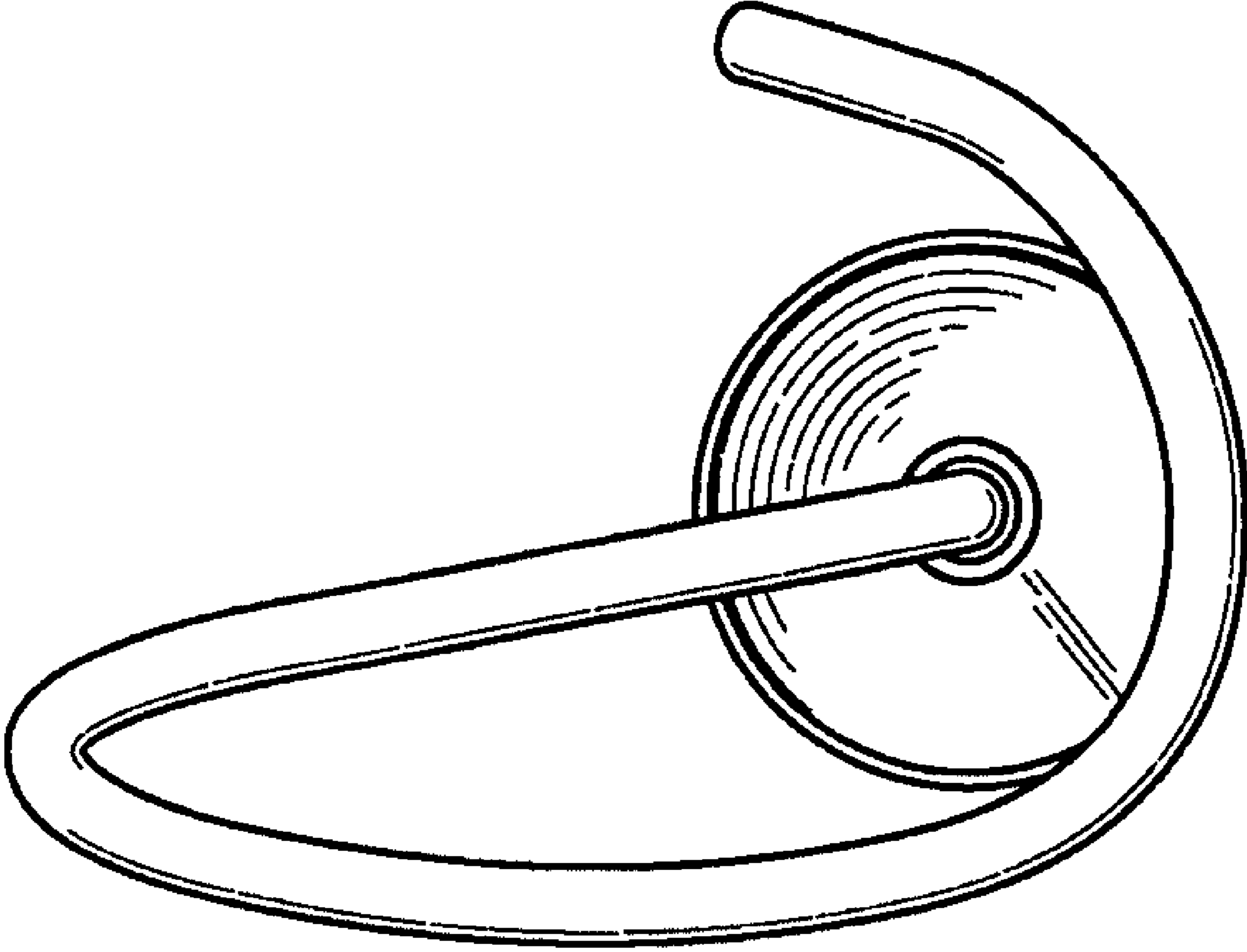


FIG. 2

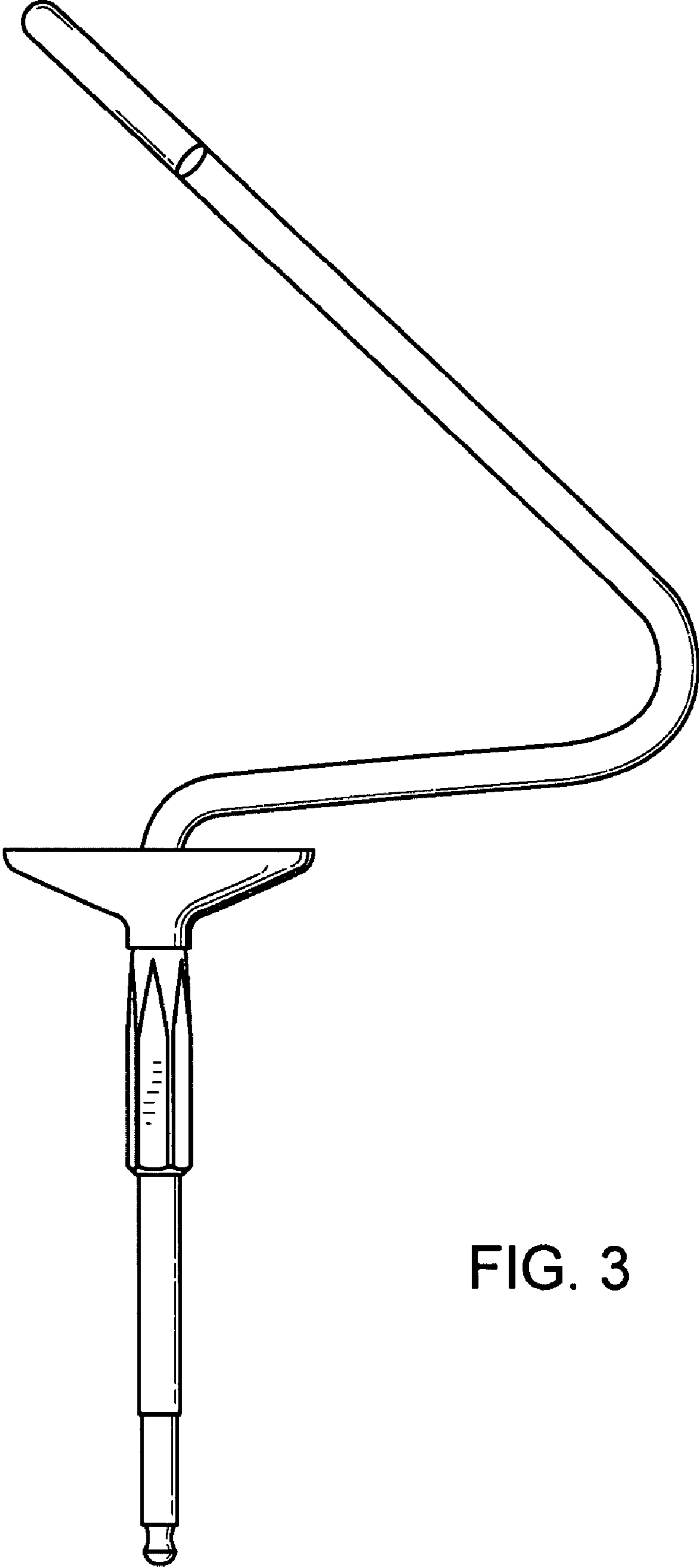


FIG. 3

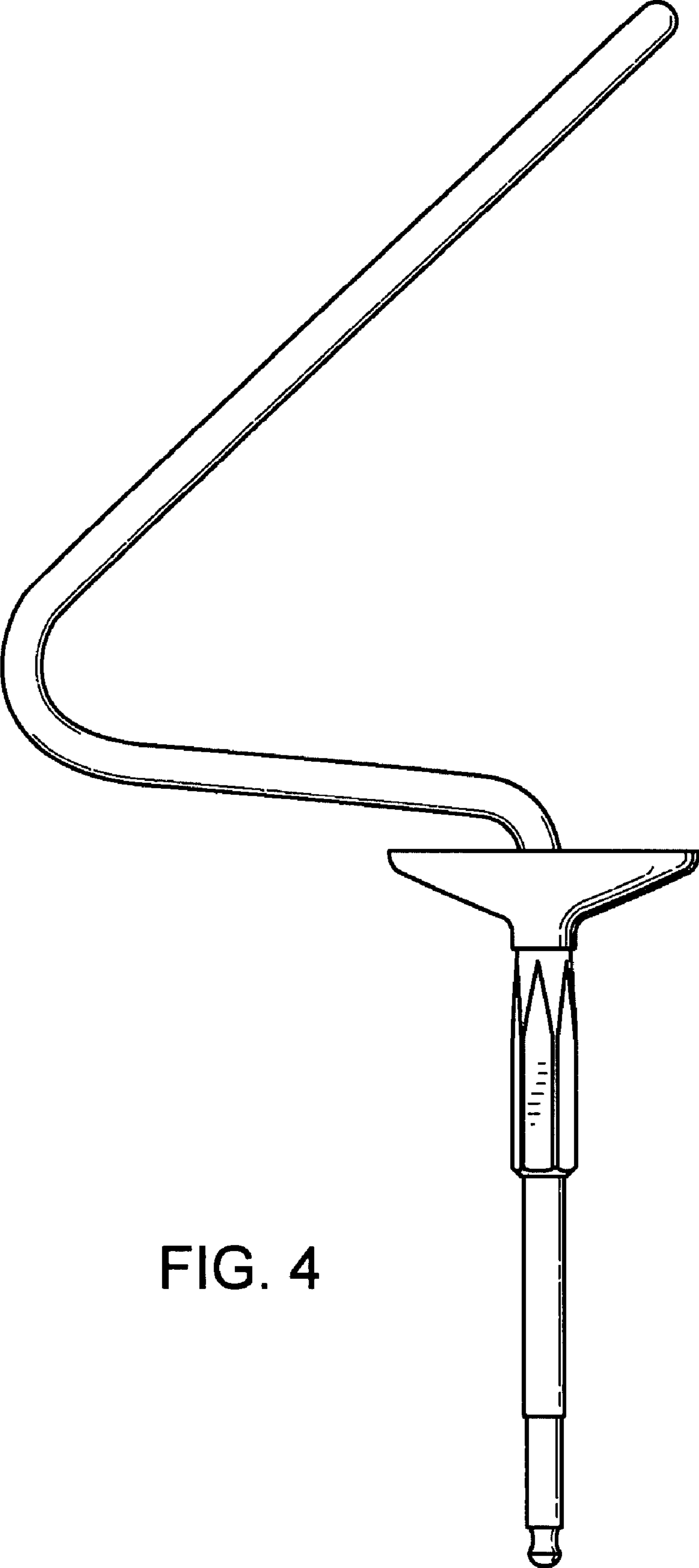


FIG. 4

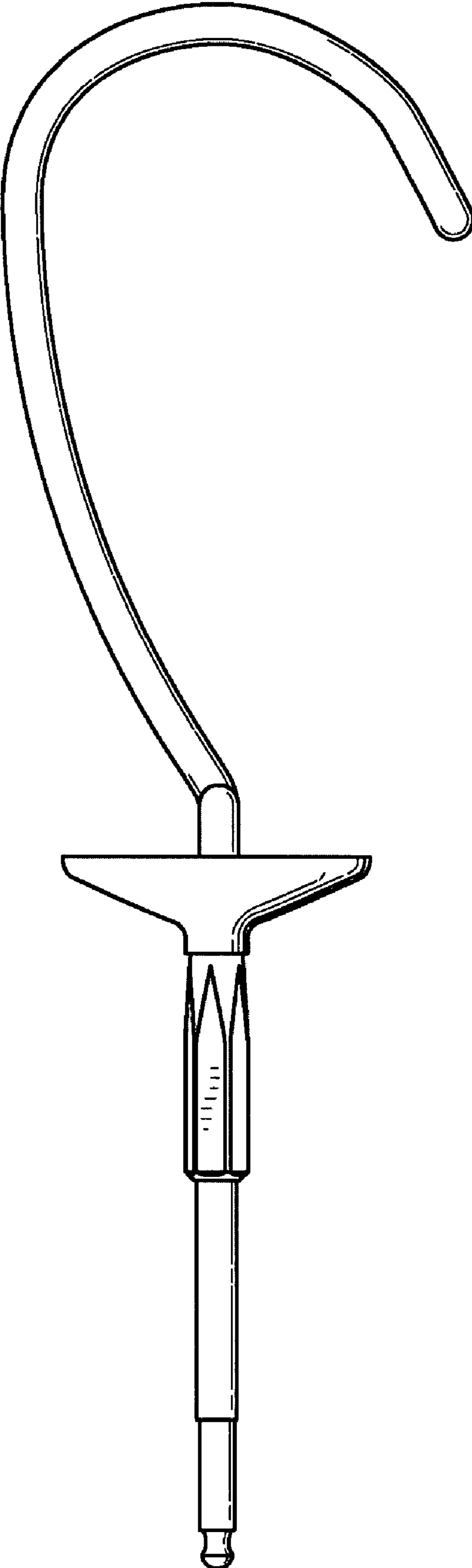


FIG. 5

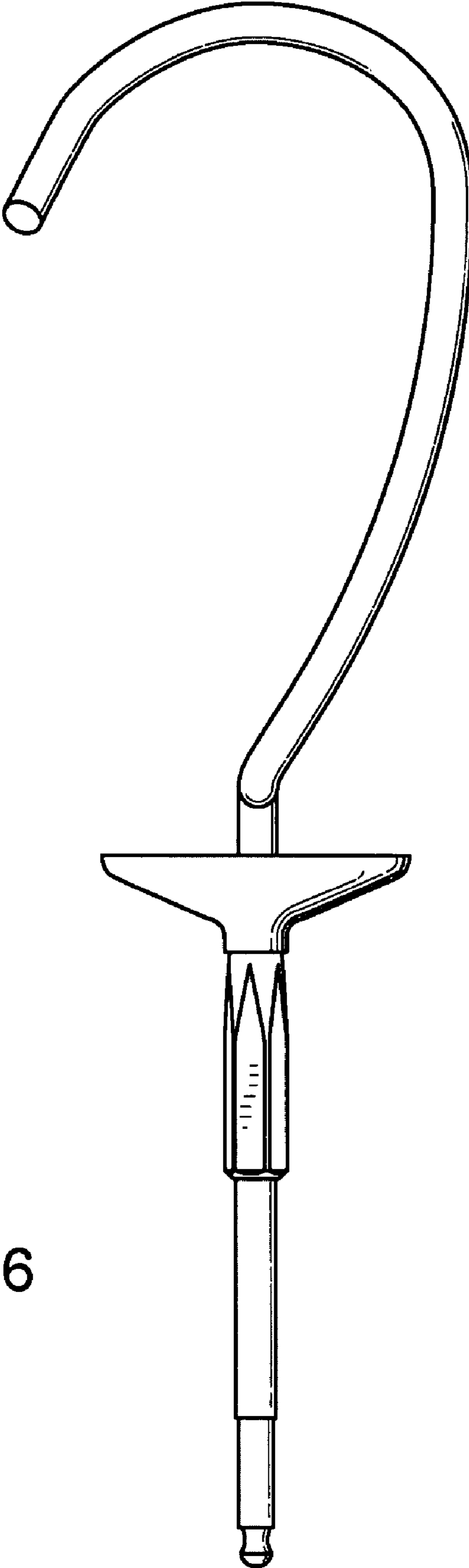


FIG. 6

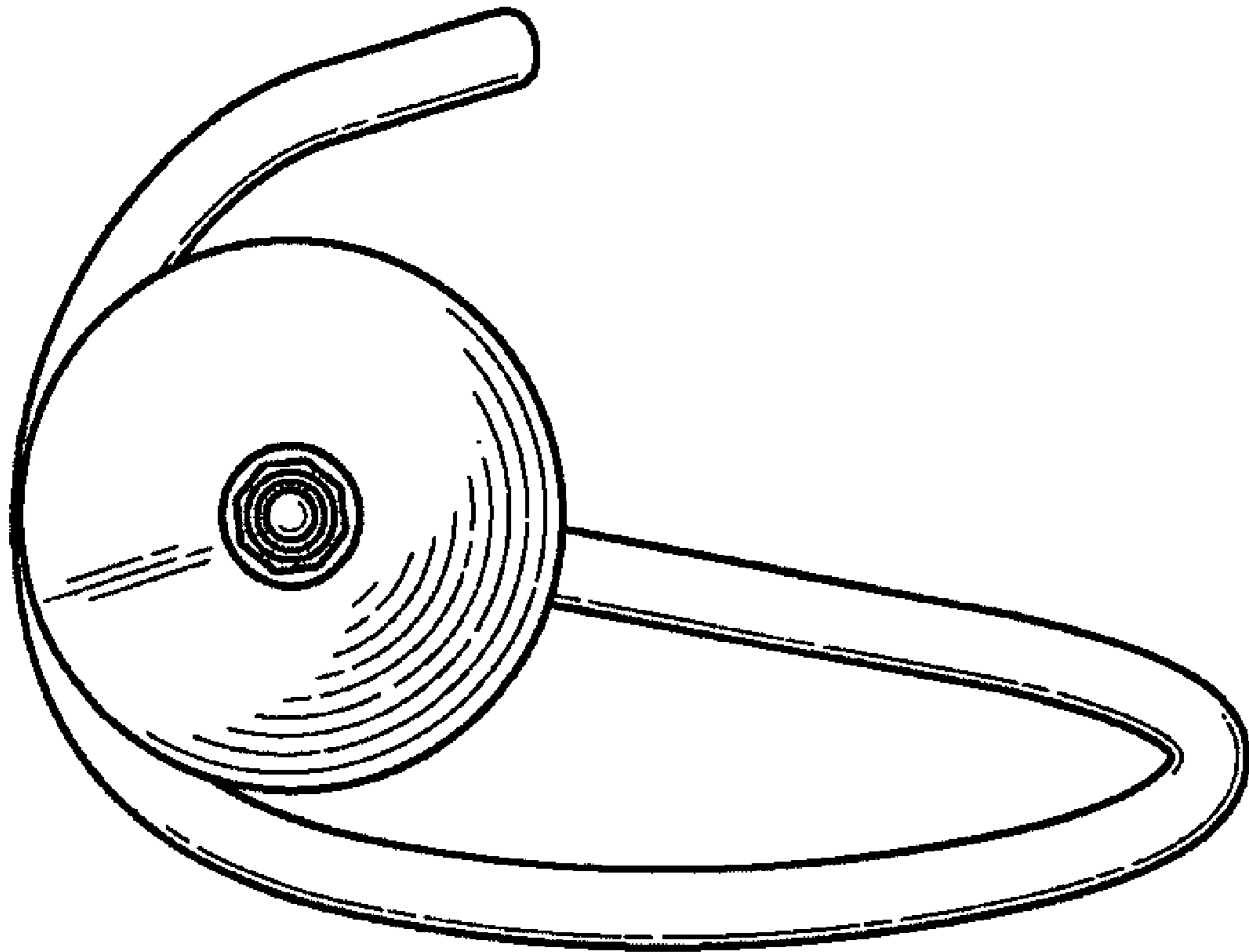


FIG. 7