



US00D560425S

(12) **United States Design Patent**
Choi

(10) **Patent No.:** **US D560,425 S**
(45) **Date of Patent:** **** Jan. 29, 2008**

(54) **SLEEVE CONTAINER WITH TRAY FOR THE TRANSPORT AND HANDLING OF GOODS**

(75) Inventor: **Myung Soo Choi**, Vancouver (CA)

(73) Assignee: **Kiku Fisheries Corporation**, Vancouver, British Columbia (CA)

(**) Term: **14 Years**

(21) Appl. No.: **29/245,171**

(22) Filed: **Dec. 20, 2005**

(30) **Foreign Application Priority Data**

Jun. 20, 2005 (JP) D2005-017848

(51) **LOC (8) Cl.** **07-06**

(52) **U.S. Cl.** **D7/368**

(58) **Field of Classification Search** D7/368, D7/601, 629, 602, 354, 356, 357; D15/89, D15/90; 249/61, 110, 119, 127; 426/512, 426/515, 643

See application file for complete search history.

(56) **References Cited**

U.S. PATENT DOCUMENTS

2,267,486	A *	12/1941	West	62/272
D296,289	S *	6/1988	Glynn	D7/607
5,393,032	A *	2/1995	Cederroth	249/61
6,112,548	A *	9/2000	Moenickheim	62/530
6,224,365	B1 *	5/2001	Ou-Young	426/512
6,534,111	B1 *	3/2003	Kita	426/512
6,637,721	B1 *	10/2003	Zonca	249/119
6,797,223	B2 *	9/2004	Beale et al.	426/515

FOREIGN PATENT DOCUMENTS

JP 7-3538 1/1995

* cited by examiner

Primary Examiner—Terry A Wallace

(74) *Attorney, Agent, or Firm*—Hamre, Schumann, Mueller & Larson, P.C.

(57) **CLAIM**

The ornamental design for a sleeve container with tray for the transport and handling of goods, as shown and described.

DESCRIPTION

FIG. 1 is of a first embodiment of a top plan view of a sleeve container with tray for the transport and handling of goods in accordance with my invention thereof;

FIG. 2 is a right side view of a first embodiment thereof;

FIG. 3 is a front elevational view of a first embodiment thereof;

FIG. 4 is a bottom plan view of a first embodiment thereof;

FIG. 5 is a front perspective view of a first embodiment showing the tray removed from the transparent sleeve container;

FIG. 6 is a front perspective view of a first embodiment showing the tray inside the transparent sleeve container;

FIG. 7 is a second embodiment of a top plan view of a sleeve container with tray for the transport and handling of goods in accordance with my invention thereof;

FIG. 8 is a right side view of the second embodiment thereof;

FIG. 9 is a front elevational view of the second embodiment thereof;

FIG. 10 is a bottom plan view of the second embodiment thereof;

FIG. 11 is a front perspective view of the second embodiment showing the tray removed from the opaque sleeve container; and,

FIG. 12 is a front perspective view of the second embodiment showing the tray inside the opaque sleeve.

1 Claim, 8 Drawing Sheets

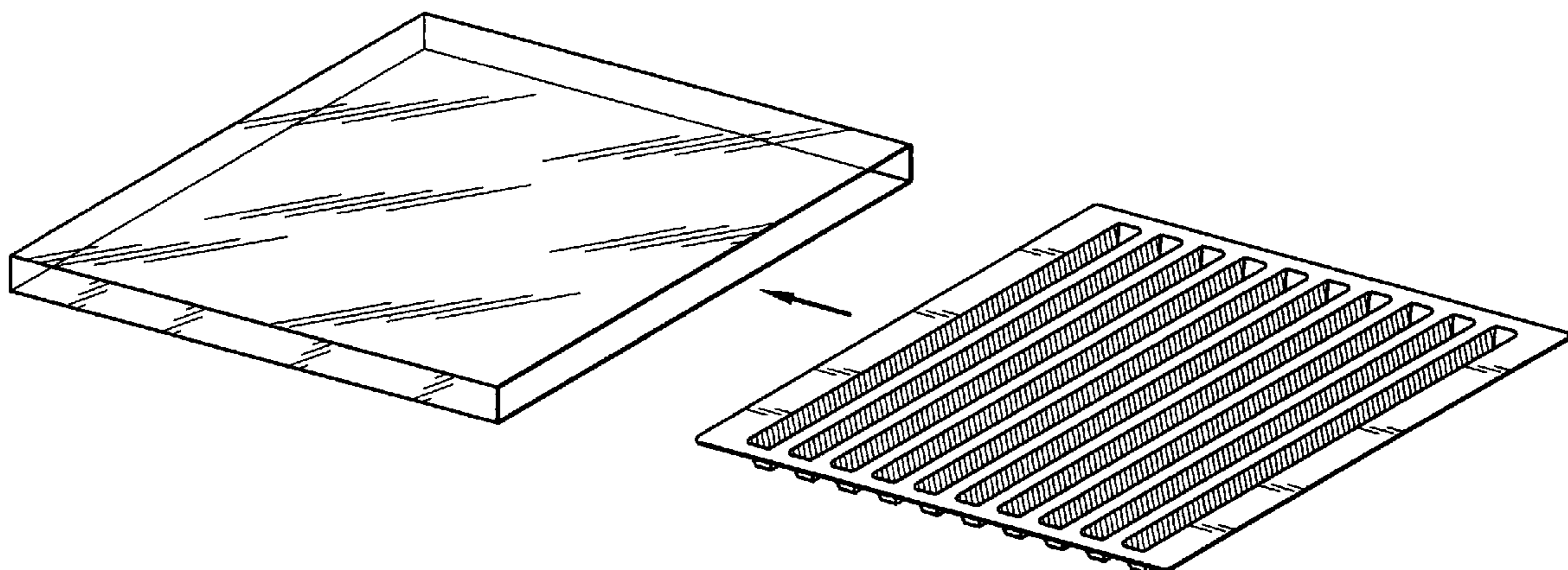


Fig. 1

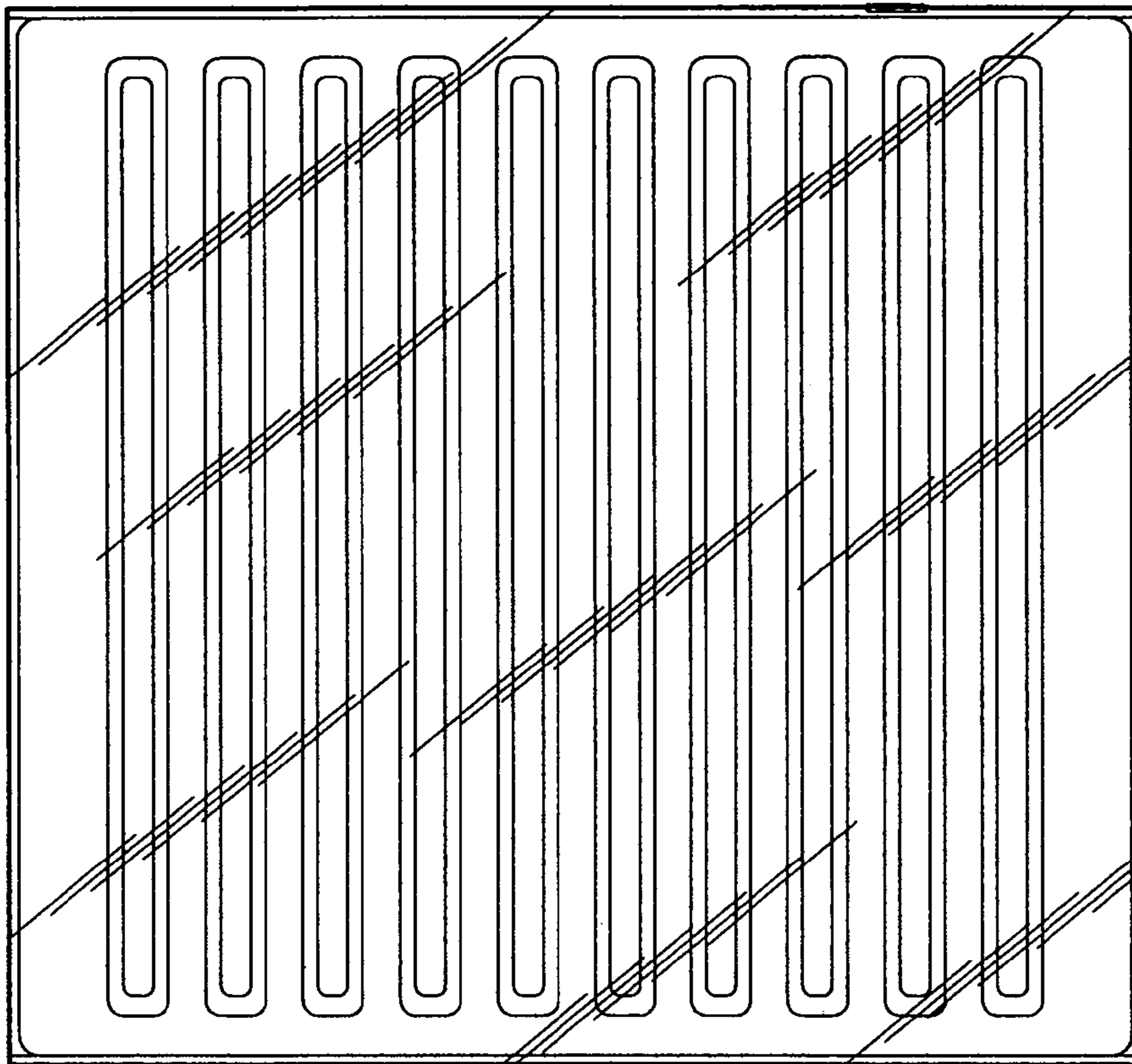


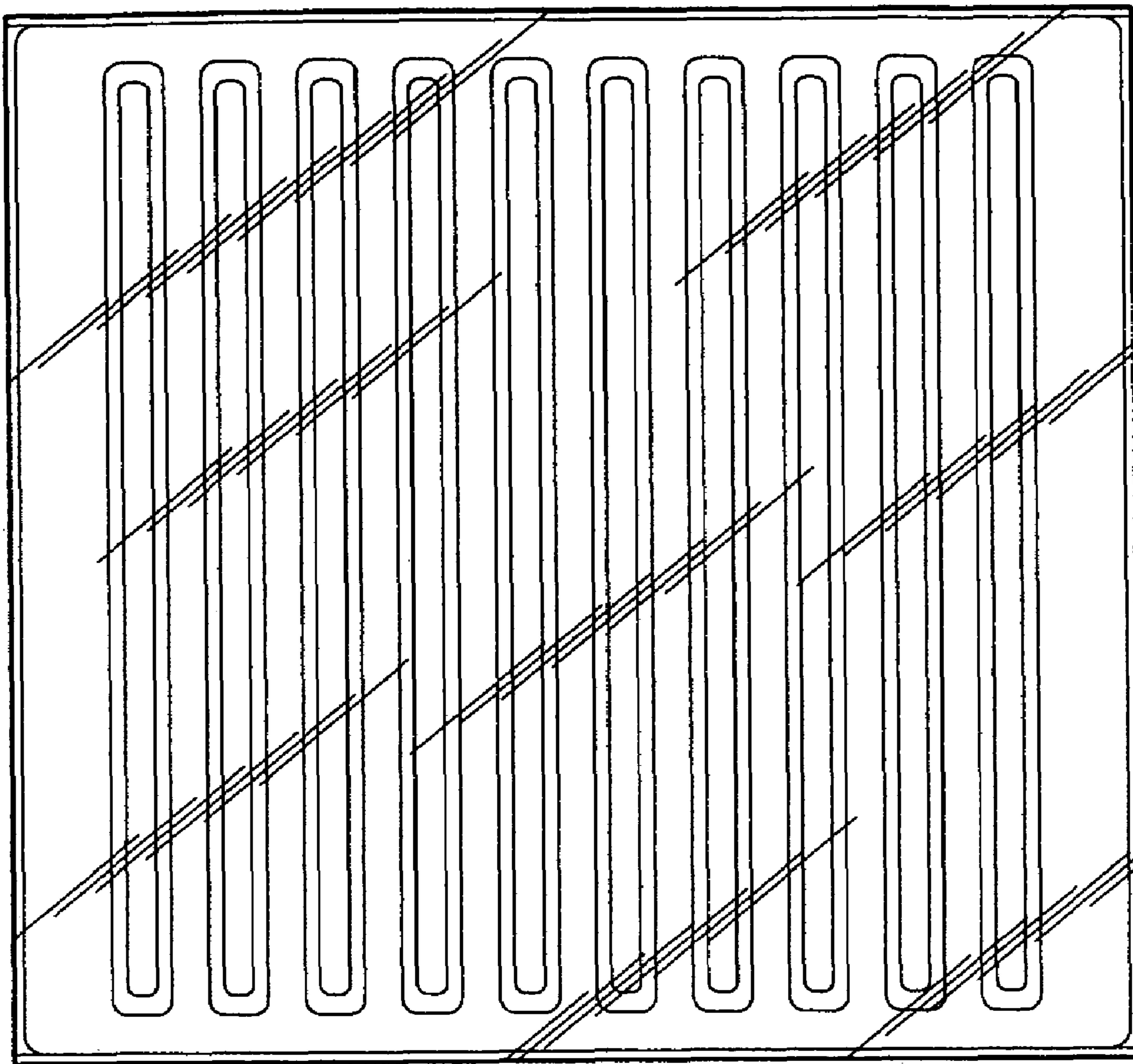
Fig. 2



Fig. 3



Fig. 4



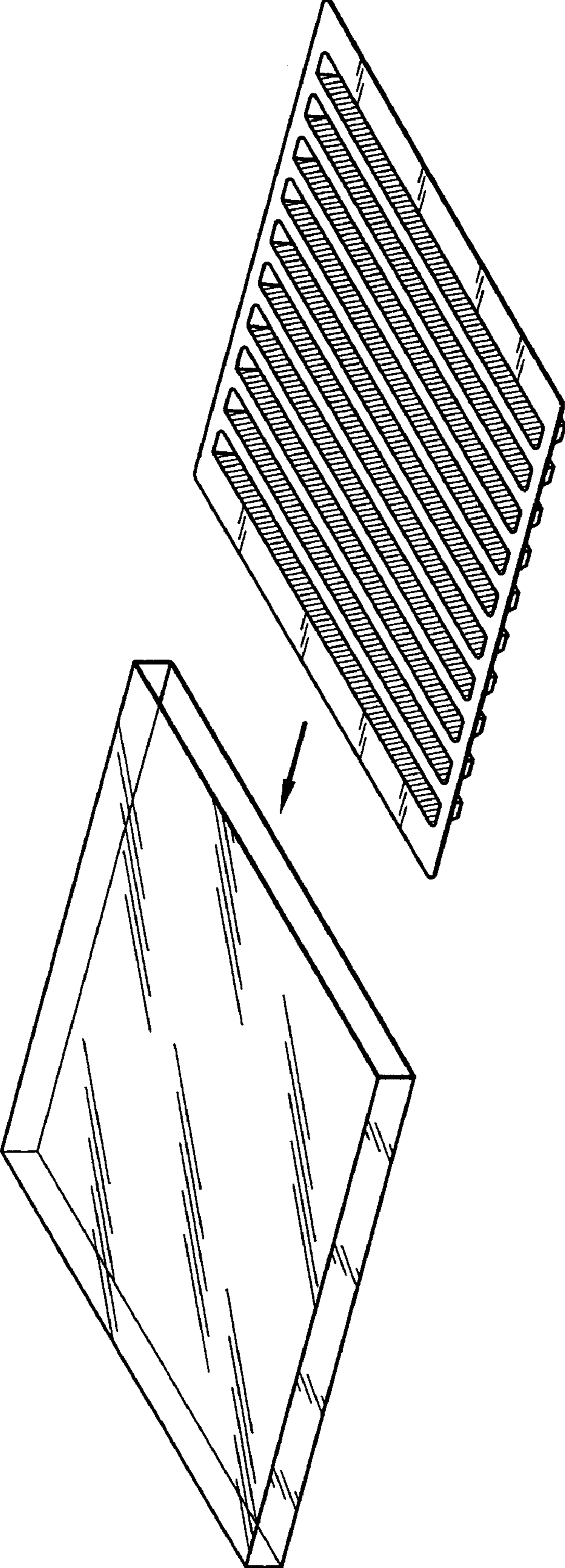


Fig. 5

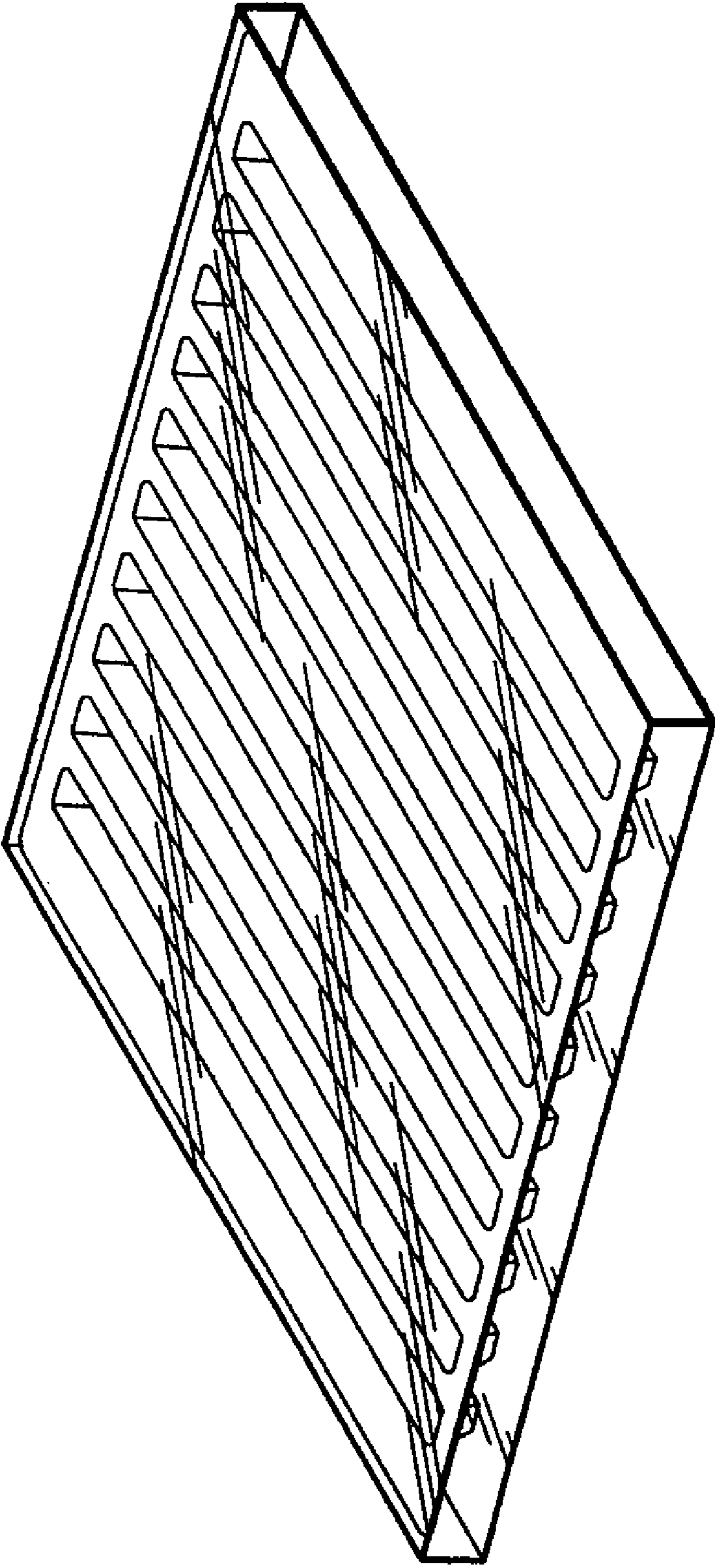


Fig. 6

Fig. 7

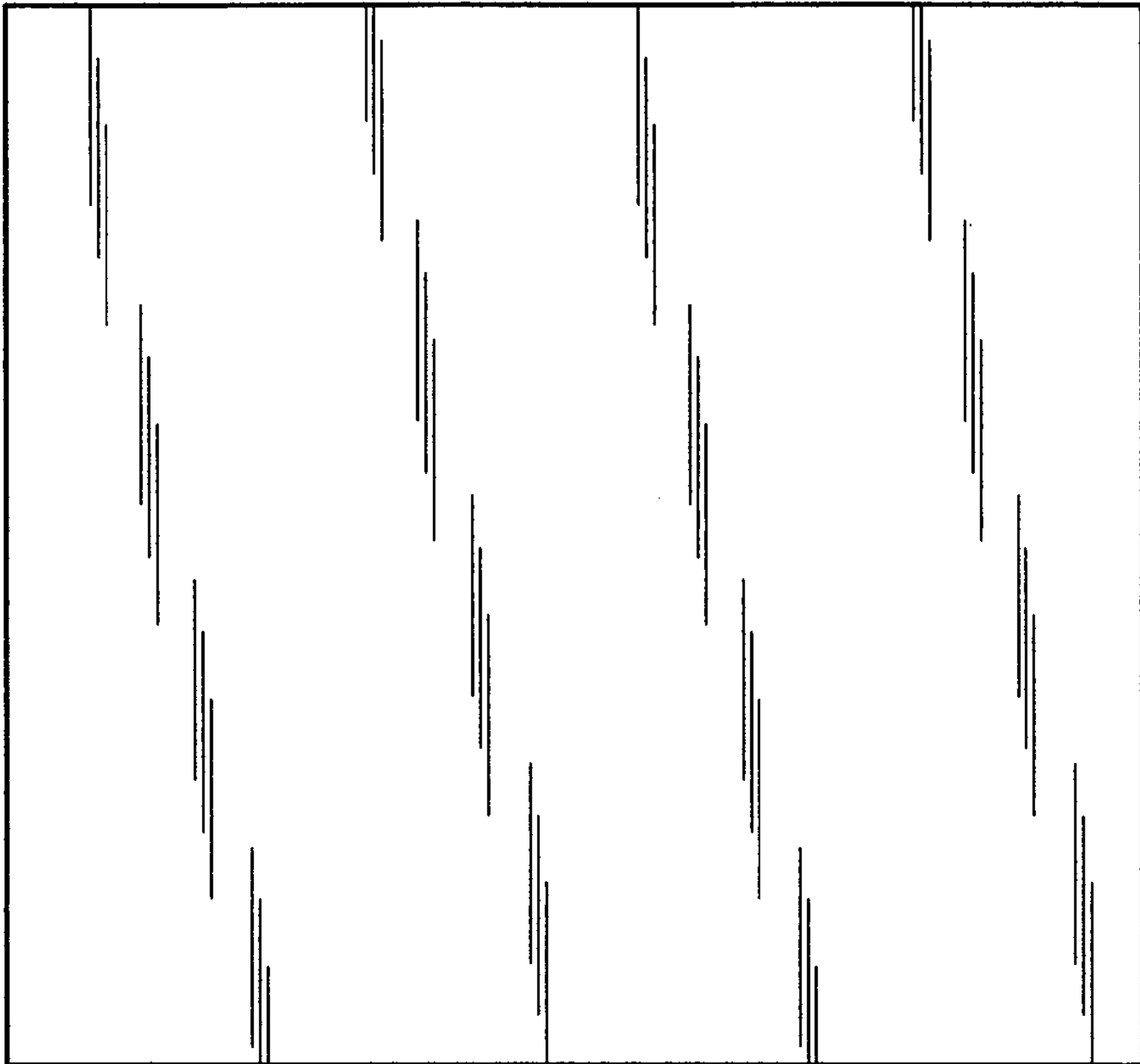


Fig. 8

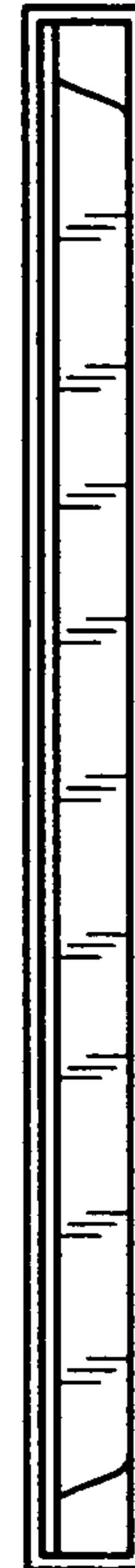
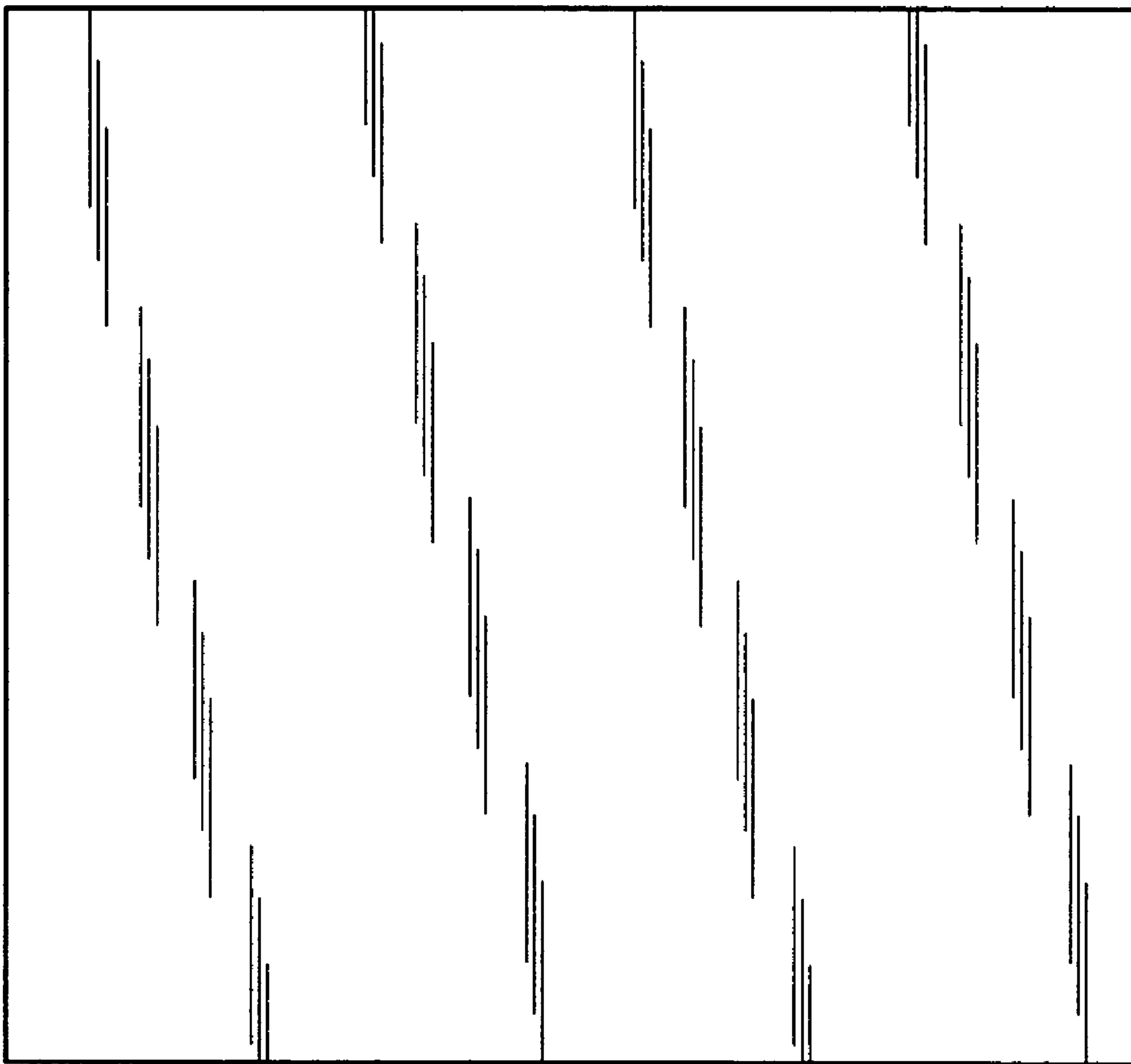


Fig. 9



Fig. 10



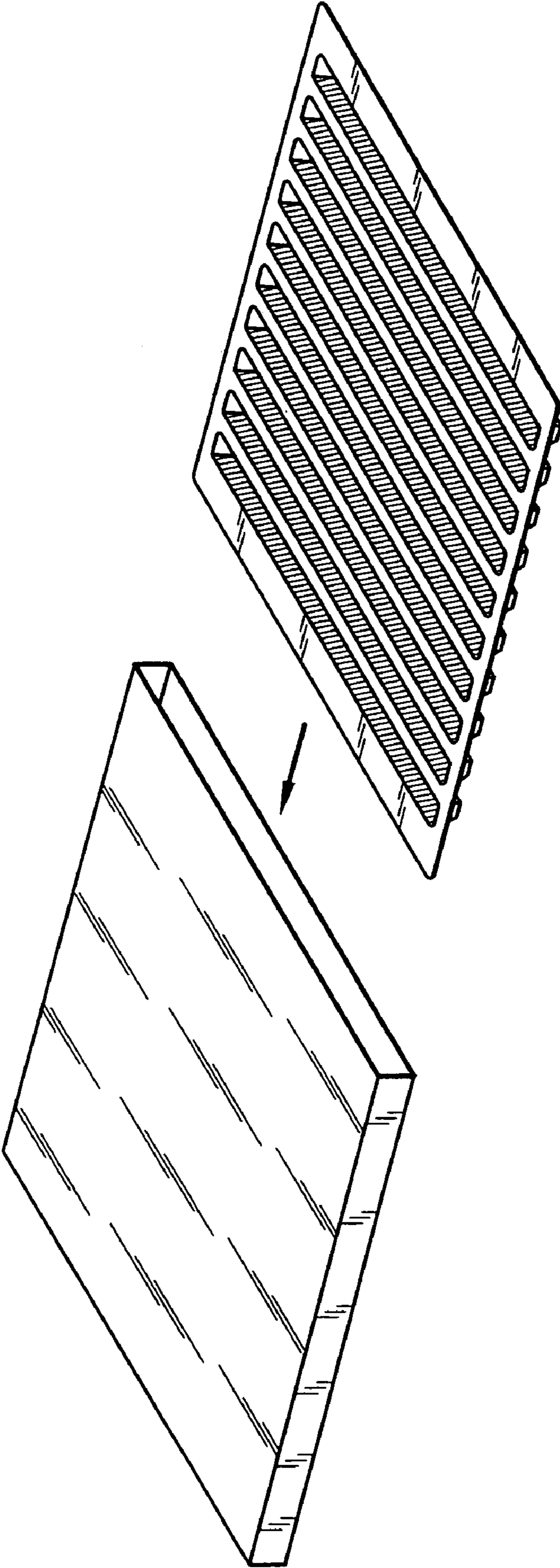


Fig. 11

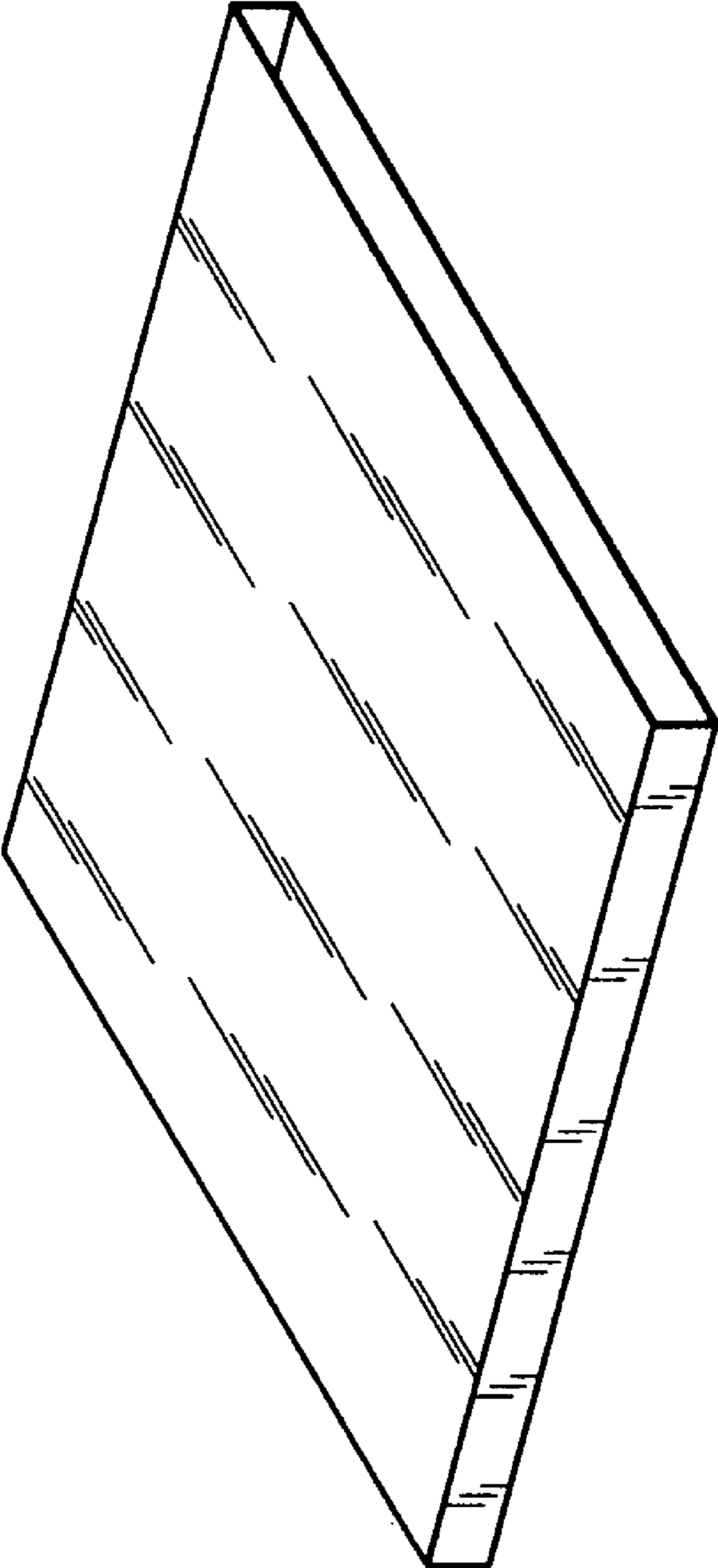


Fig. 12