



US00D560418S

(12) **United States Design Patent**  
**Chau et al.**

(10) **Patent No.:** **US D560,418 S**  
(45) **Date of Patent:** **\*\* Jan. 29, 2008**

- (54) **GRILL**
- (75) Inventors: **Nam Wai Chau**, Hong Kong (CN);  
**Brian Wood**, McKinney, TX (US); **Siu Cheong Hon**, Hong Kong (CN)
- (73) Assignee: **The Brinkmann Corporation**, Dallas, TX (US)
- (\*\*) Term: **14 Years**
- (21) Appl. No.: **29/265,403**
- (22) Filed: **Aug. 29, 2006**  
(Under 37 CFR 1.47)
- (51) **LOC (8) Cl.** ..... **07-02**
- (52) **U.S. Cl.** ..... **D7/334**
- (58) **Field of Classification Search** ..... D7/332,  
D7/334-337, 402-404; 126/25 R, 25 A,  
126/25 AA, 37 R, 38, 41 R, 40, 39 B, 268,  
126/276, 9 R; 99/449, 473, 481, 482  
See application file for complete search history.

- D479,092 S 9/2003 Lewis et al.
- D488,025 S 4/2004 Tseng
- D491,414 S 6/2004 Nichols et al.
- D494,009 S 8/2004 Joss et al.
- D494,413 S 8/2004 Joss et al.
- D497,284 S 10/2004 Pai
- D503,065 S \* 3/2005 Pai ..... D7/334
- D504,048 S 4/2005 Joss et al.
- 6,923,172 B2 8/2005 Muldoon
- 6,935,327 B1 8/2005 Williams et al.
- D512,268 S 12/2005 Pai
- D514,381 S 2/2006 Chung
- D520,298 S 5/2006 Huegerich et al.
- D521,308 S \* 5/2006 Tseng ..... D7/334
- D528,349 S \* 9/2006 Chung ..... D7/334
- D541,575 S \* 5/2007 Lutz ..... D7/334
- D546,116 S \* 7/2007 Tseng ..... D7/334
- D549,511 S \* 8/2007 Chung ..... D7/334
- D549,512 S \* 8/2007 Chung ..... D7/334
- D549,514 S \* 8/2007 Chung ..... D7/334
- 2006/0054156 A1 3/2006 Zelek et al.
- 2006/0144385 A1 7/2006 Coleman et al.

(56) **References Cited**

**U.S. PATENT DOCUMENTS**

- D293,067 S 12/1987 Stephen et al.
- 4,886,045 A 12/1989 Ducate, Jr. et al.
- D316,355 S 4/1991 Stephen et al.
- 5,536,518 A 7/1996 Rummel
- 5,755,154 A 5/1998 Schroeter et al.
- D406,009 S 2/1999 Wagner et al.
- D406,488 S 3/1999 Bates et al.
- D406,489 S 3/1999 Williams et al.
- D417,587 S 12/1999 Wagner et al.
- D438,060 S 2/2001 Campbell et al.
- D438,427 S 3/2001 Campbell et al.
- 6,332,395 B1 12/2001 Home
- D454,276 S 3/2002 Pai
- D461,359 S 8/2002 Coleman et al.
- D466,368 S 12/2002 Neal et al.
- D466,756 S 12/2002 Bossler et al.
- D470,357 S 2/2003 Home
- D471,057 S \* 3/2003 Chung ..... D7/334
- D471,761 S 3/2003 Choi et al.
- D472,756 S 4/2003 Pai
- D474,070 S 5/2003 McKenzie
- D475,235 S 6/2003 Home

\* cited by examiner

*Primary Examiner*—Ruth McInroy

(74) *Attorney, Agent, or Firm*—Sheppard, Mullin, Richter & Hampton LLP

(57) **CLAIM**

We claim the ornamental design for a grill, as shown and described.

**DESCRIPTION**

FIG. 1 is a perspective view of the grill showing the new design;

FIG. 2 is a front elevational view thereof;

FIG. 3 is a rear elevational view thereof;

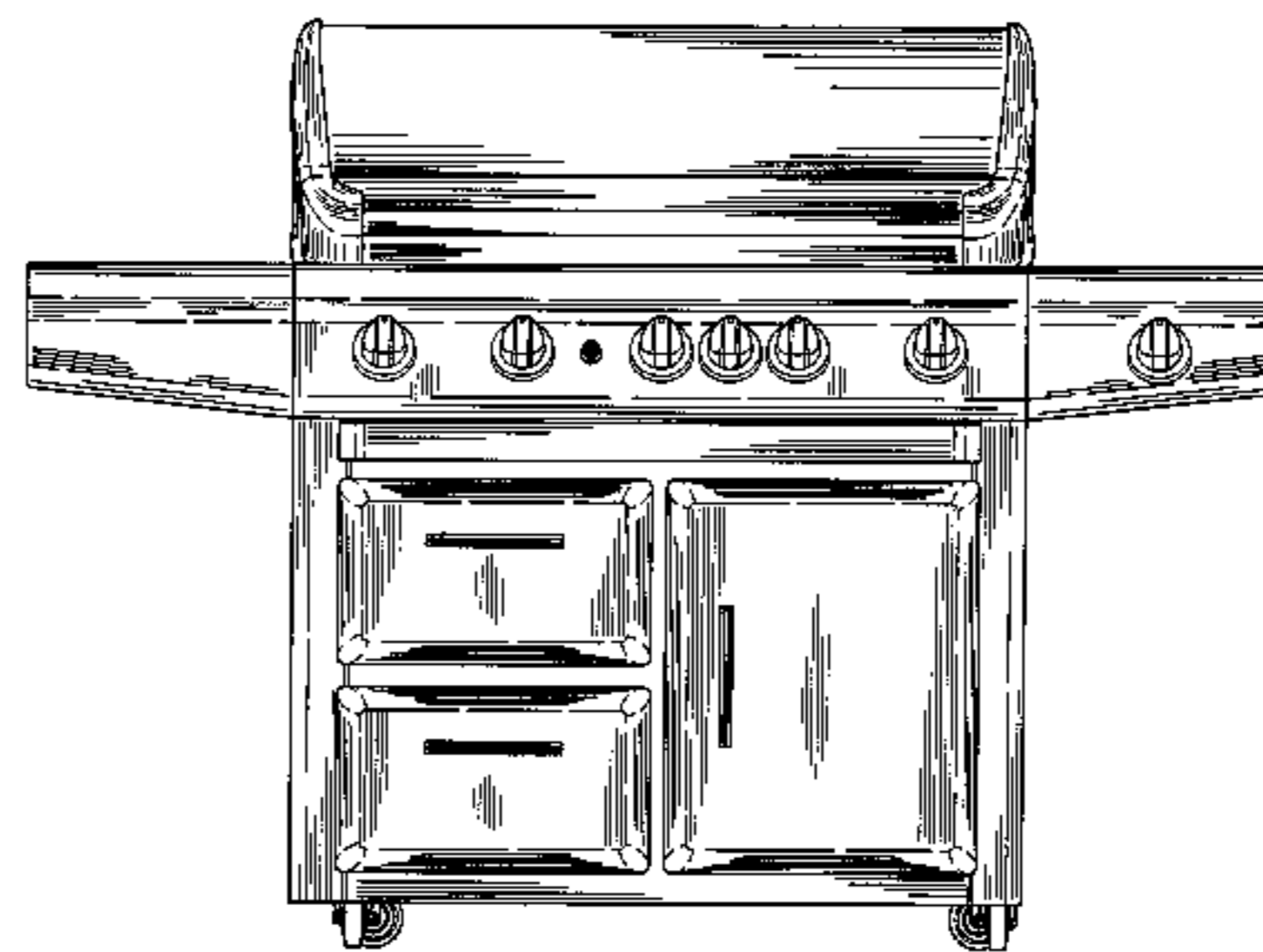
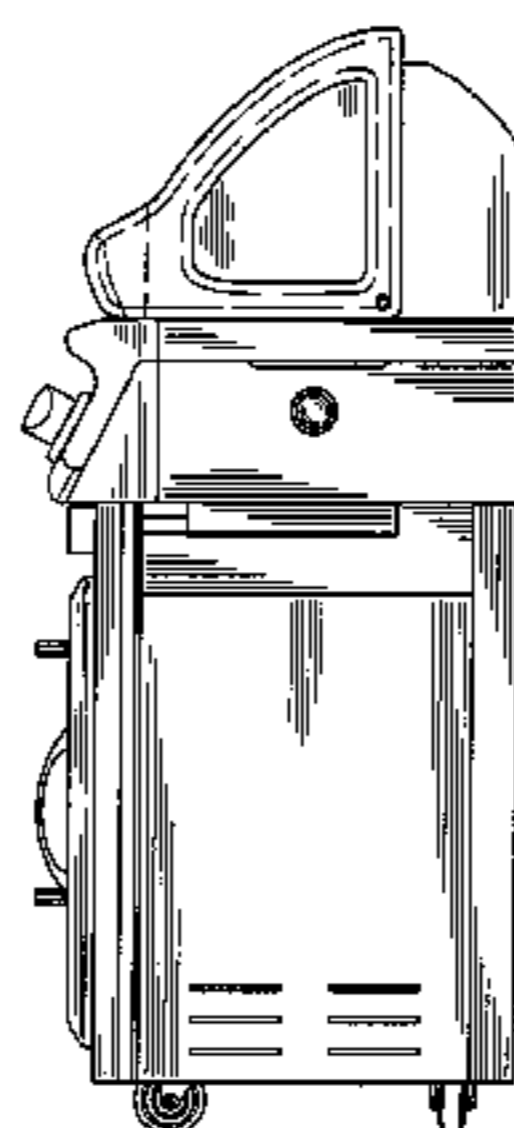
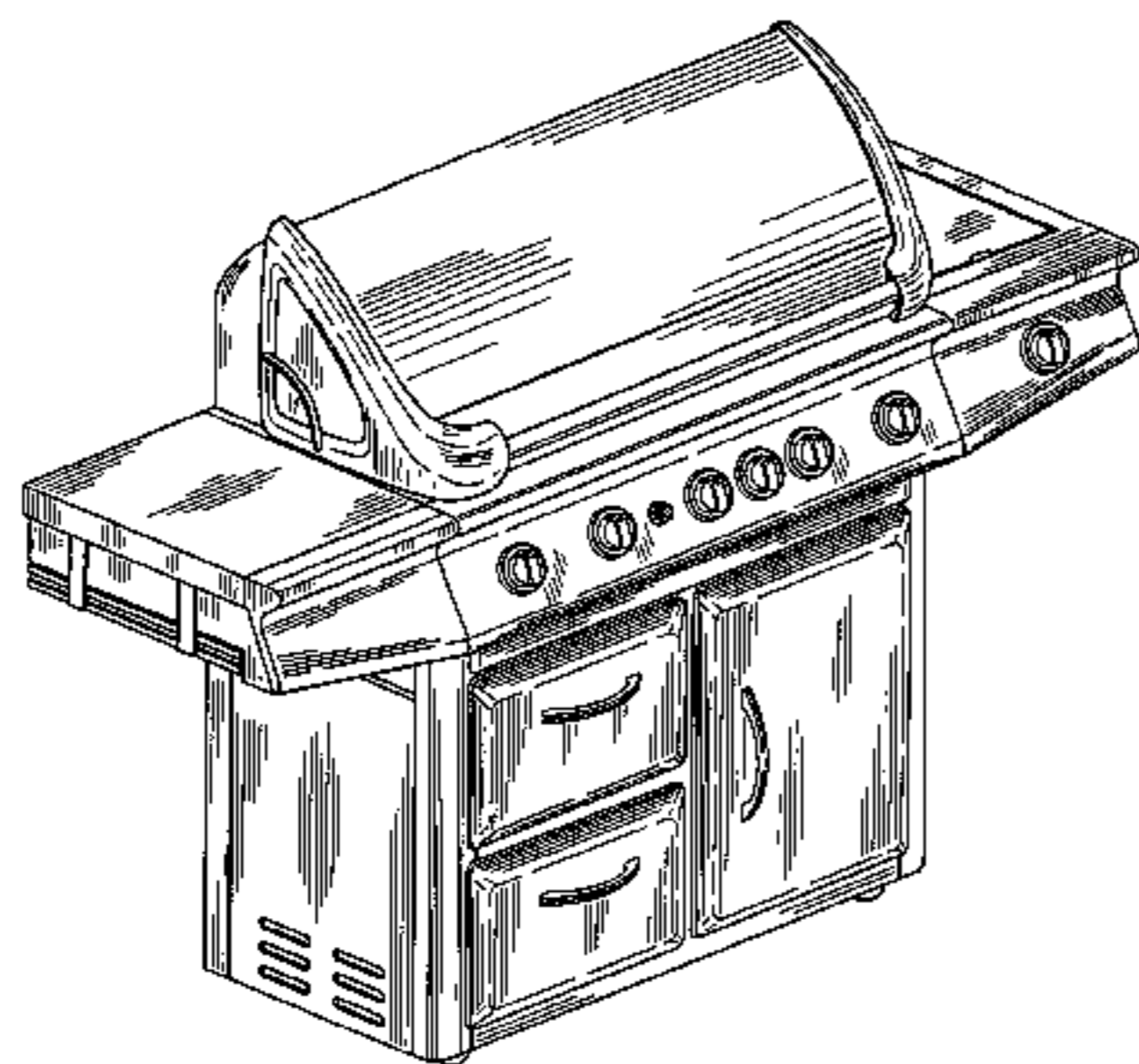
FIG. 4 is a right side elevational view thereof;

FIG. 5 is a left side elevational view thereof;

FIG. 6 is a top plan view thereof; and,

FIG. 7 is a bottom plan view thereof.

**1 Claim, 6 Drawing Sheets**



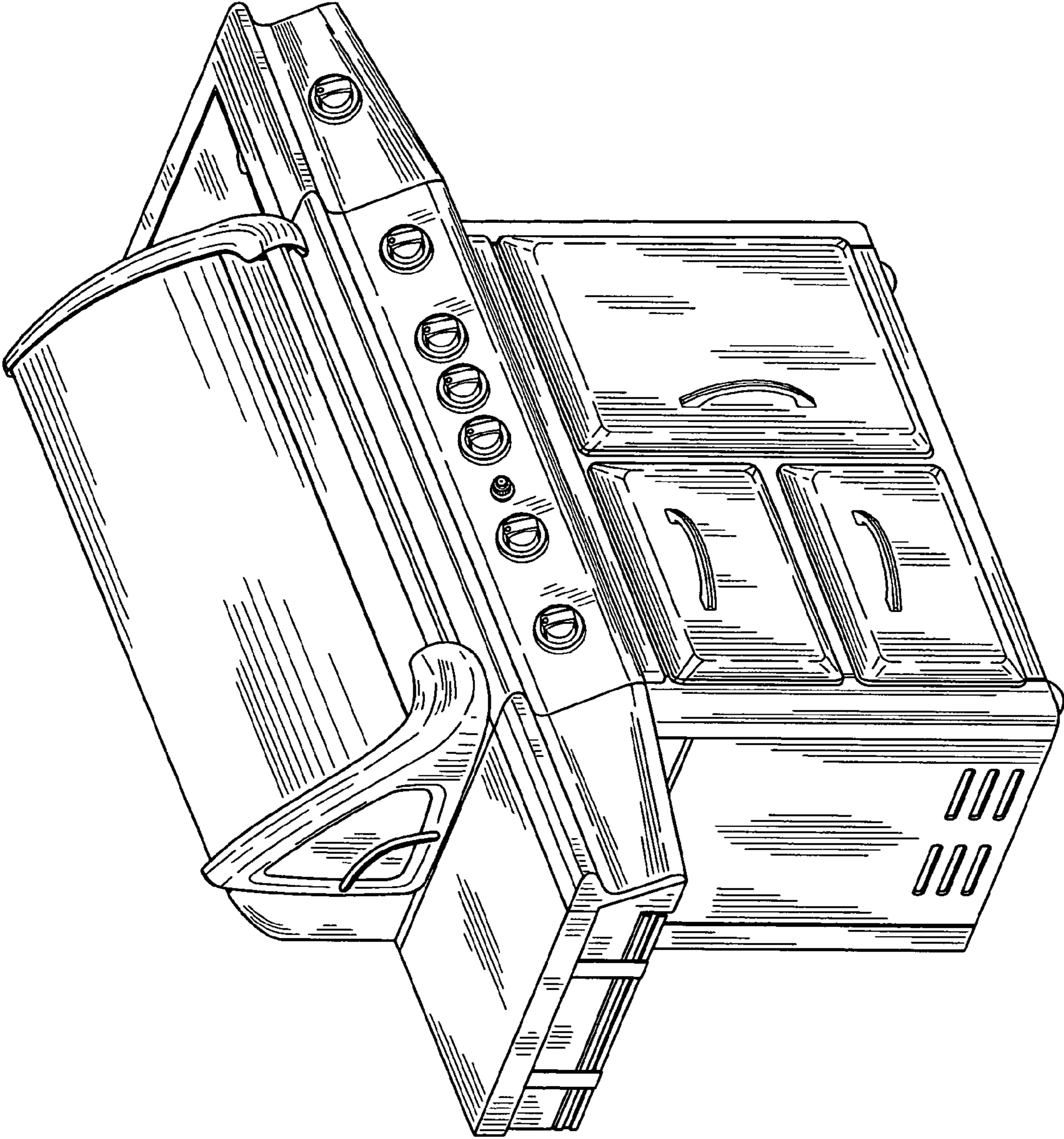


FIG. 1

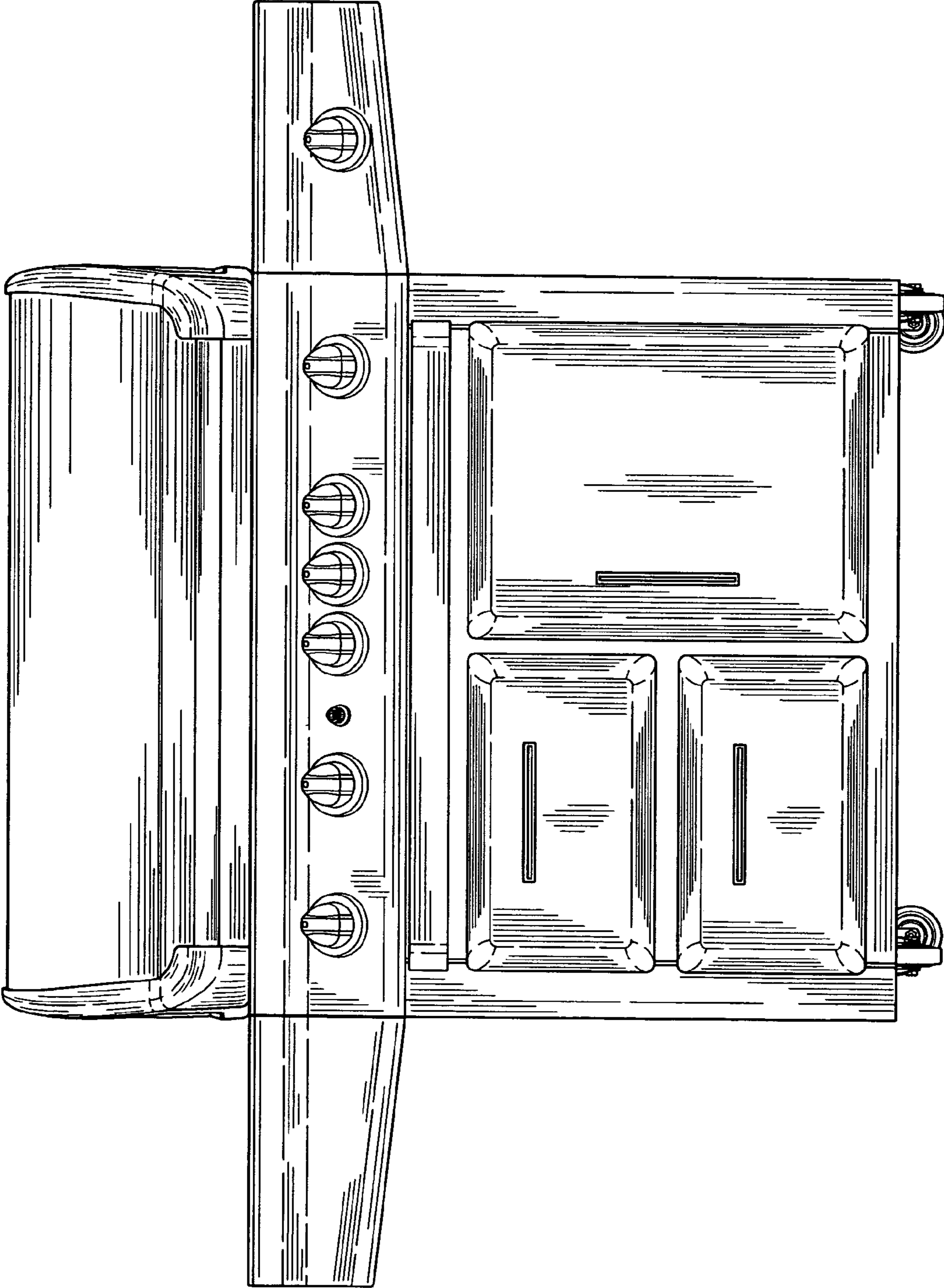


FIG. 2

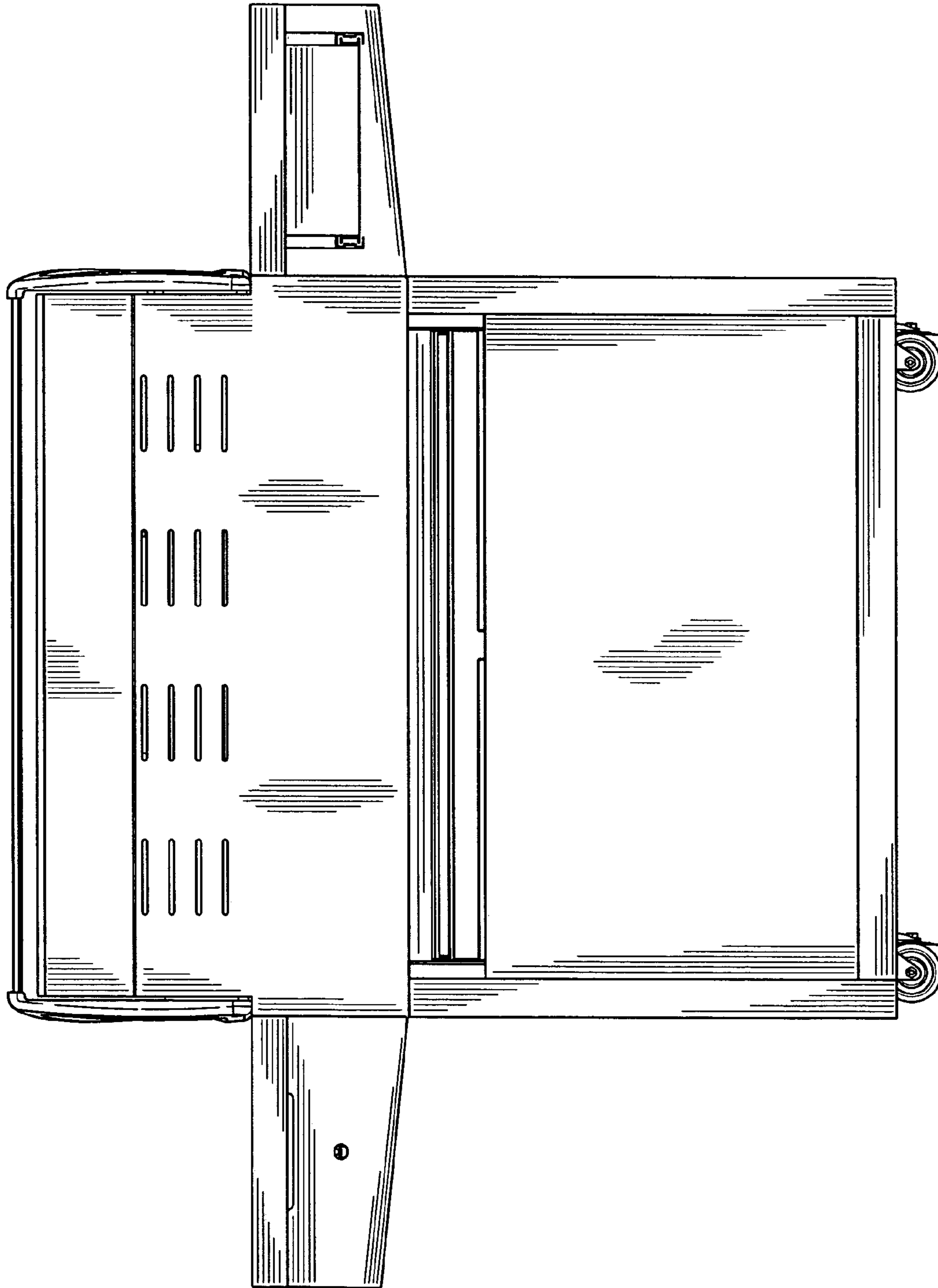


FIG. 3

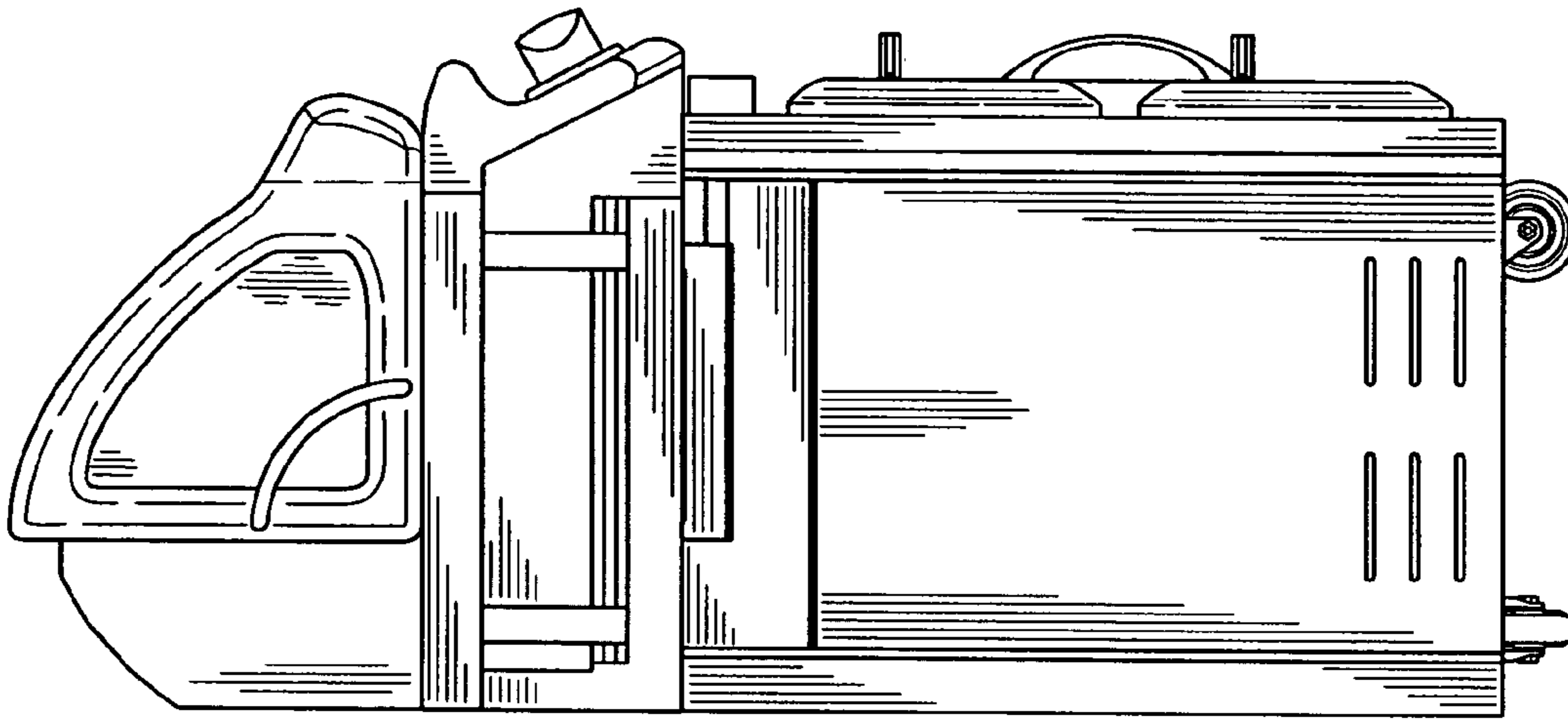


FIG. 5

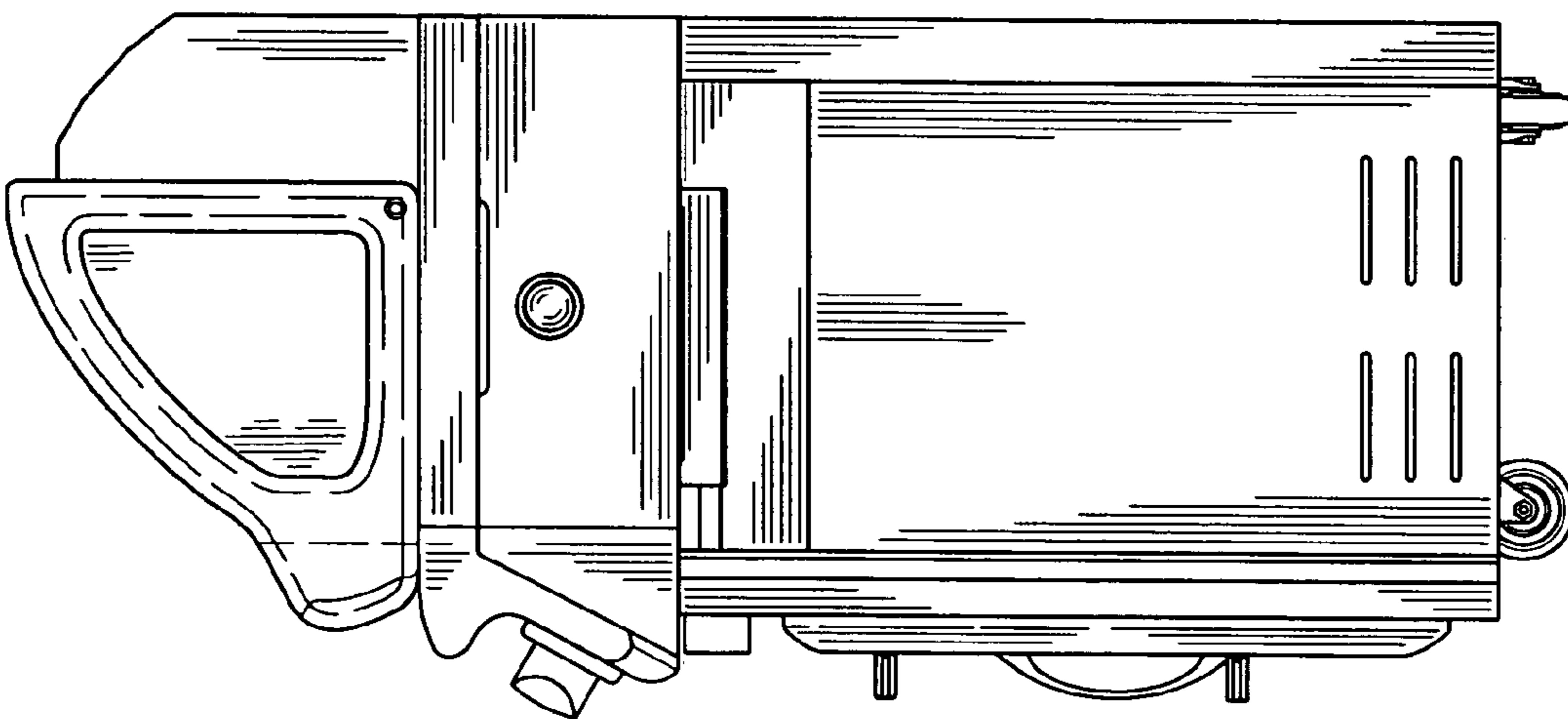


FIG. 4

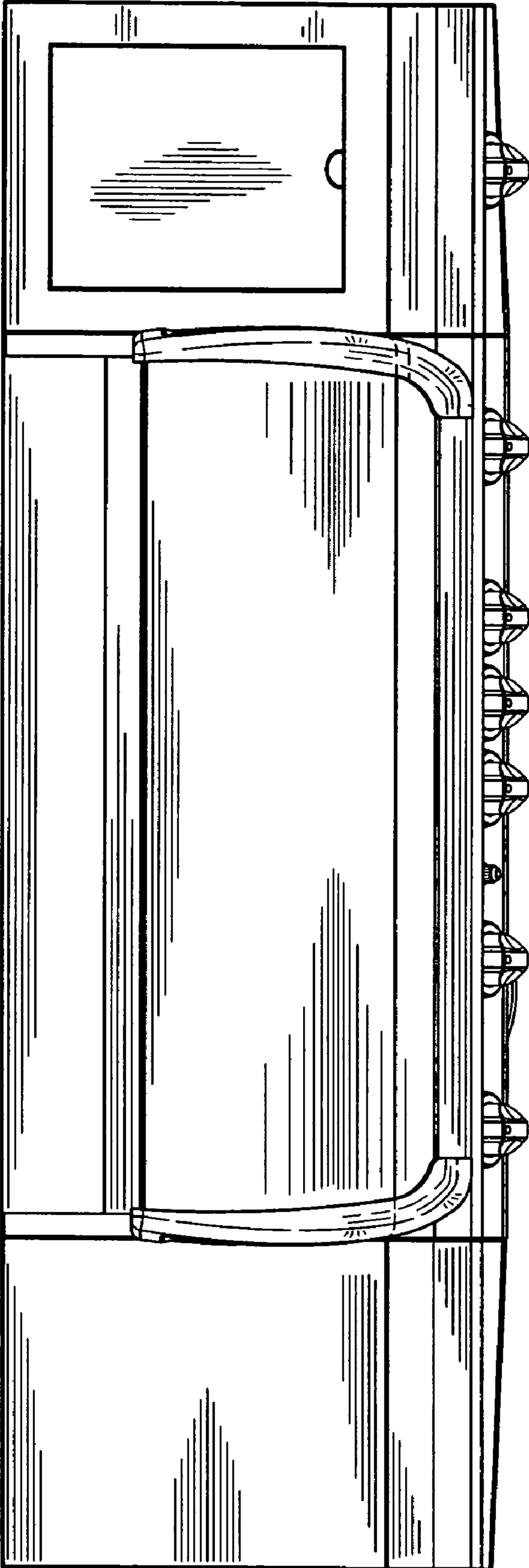


FIG. 6

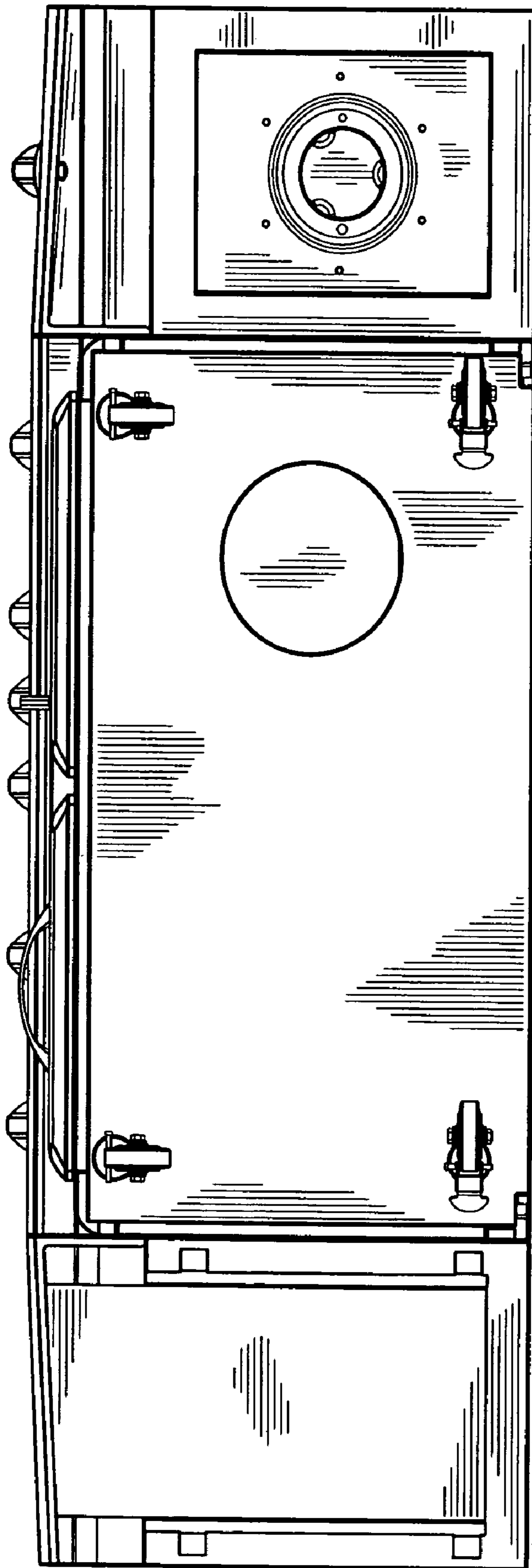


FIG. 7