



US00D560417S

(12) **United States Design Patent**
Ho et al.

(10) **Patent No.:** **US D560,417 S**
(45) **Date of Patent:** **** Jan. 29, 2008**

(54) **GRILL**

(75) Inventors: **Ka Kin Ho**, Hong Kong (CN); **Brian Wood**, McKinney, TX (US); **Siu Cheong Hon**, Hong Kong (CN)

(73) Assignee: **The Brinkmann Corporation**, Dallas, TX (US)

(**) Term: **14 Years**

(21) Appl. No.: **29/262,699**

(22) Filed: **Jul. 7, 2006**
(Under 37 CFR 1.47)

(51) **LOC (8) Cl.** **07-02**

(52) **U.S. Cl.** **D7/334**

(58) **Field of Classification Search** D7/332,
D7/334-337, 402-404; 126/25 R, 25 A,
126/25 AA, 37 R, 38, 41 R, 40, 39 B, 268,
126/276, 9 R; 99/449, 473, 481, 482
See application file for complete search history.

D471,761 S 3/2003 Choi et al.
D472,756 S 4/2003 Pai
D474,070 S 5/2003 McKenzie
D475,235 S 6/2003 Home
D479,092 S 9/2003 Lewis et al.
D488,025 S 4/2004 Tseng
D489,221 S * 5/2004 Pai D7/334
D491,414 S 6/2004 Nichols et al.
D494,009 S 8/2004 Joss et al.
D494,413 S 8/2004 Joss et al.
D497,284 S 10/2004 Pai
D499,928 S * 12/2004 Zhang D7/334
D503,065 S * 3/2005 Pai D7/334
D504,048 S 4/2005 Joss et al.
6,923,172 B2 8/2005 Muldoon
6,935,327 B1 8/2005 Williams et al.
D512,268 S 12/2005 Pai
D514,381 S 2/2006 Chung
D520,298 S 5/2006 Huegerich et al.
D521,308 S * 5/2006 Tseng D7/334
2006/0054156 A1 3/2006 Zelek et al.
2006/0144385 A1 7/2006 Coleman et al.

* cited by examiner

Primary Examiner—Ruth McInroy
(74) *Attorney, Agent, or Firm*—Sheppard, Mullin, Richter & Hampton LLP

(56) **References Cited**

U.S. PATENT DOCUMENTS

D293,067 S 12/1987 Stephen et al.
4,886,045 A 12/1989 Ducate, Jr. et al.
D316,355 S 4/1991 Stephen et al.
5,536,518 A 7/1996 Rummel
5,755,154 A 5/1998 Schroeter et al.
D406,009 S 2/1999 Wagner et al.
D406,488 S 3/1999 Bates et al.
D406,489 S 3/1999 Williams et al.
D417,587 S 12/1999 Wagner et al.
D438,060 S 2/2001 Campbell et al.
D438,427 S 3/2001 Campbell et al.
6,332,395 B1 12/2001 Home
D454,276 S 3/2002 Pai
D461,359 S * 8/2002 Coleman et al. D7/334
D465,123 S * 11/2002 Coleman et al. D7/334
D466,368 S 12/2002 Neal et al.
D466,756 S * 12/2002 Bossler et al. D7/334
D470,357 S 2/2003 Home
D471,057 S * 3/2003 Chung D7/334

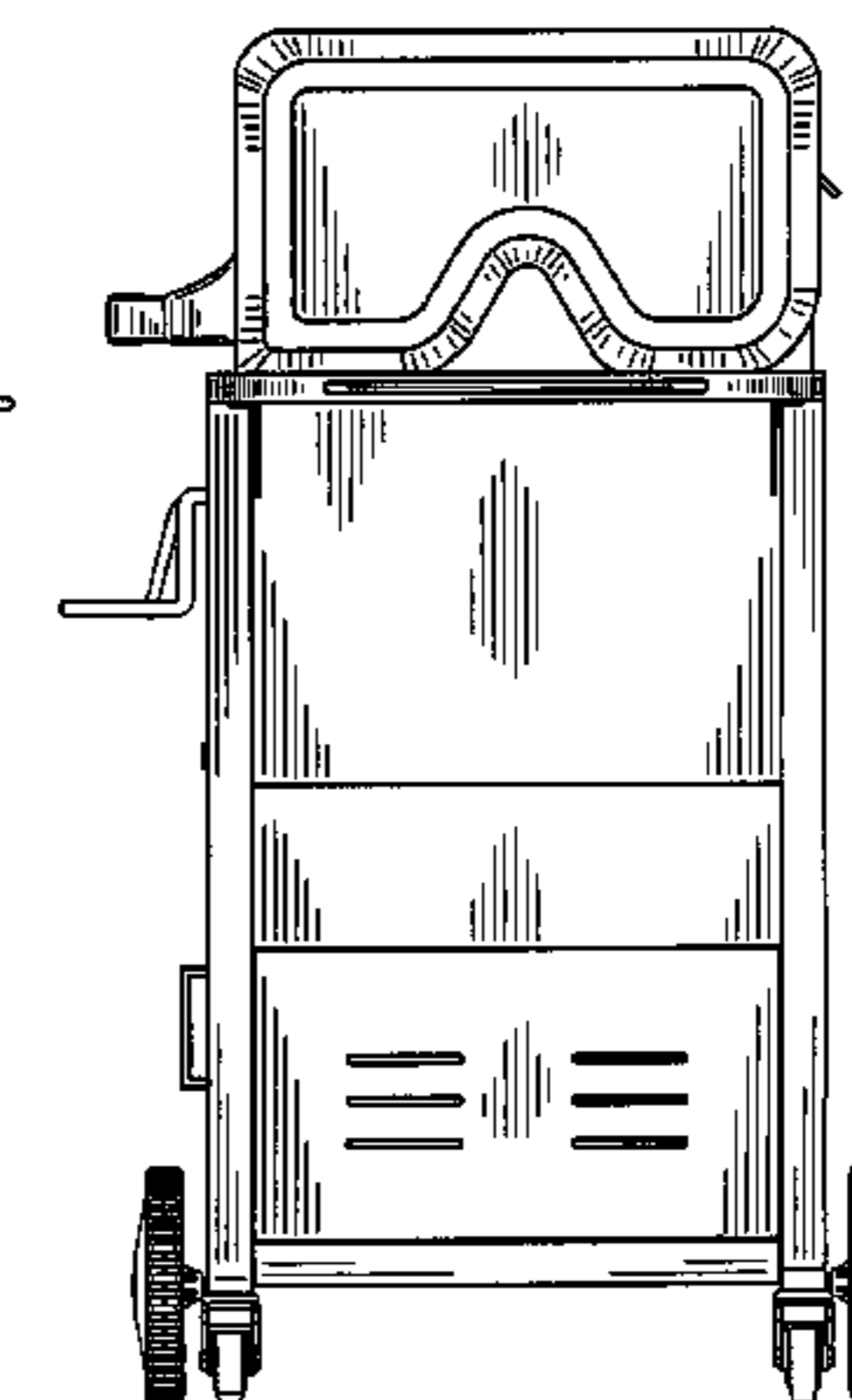
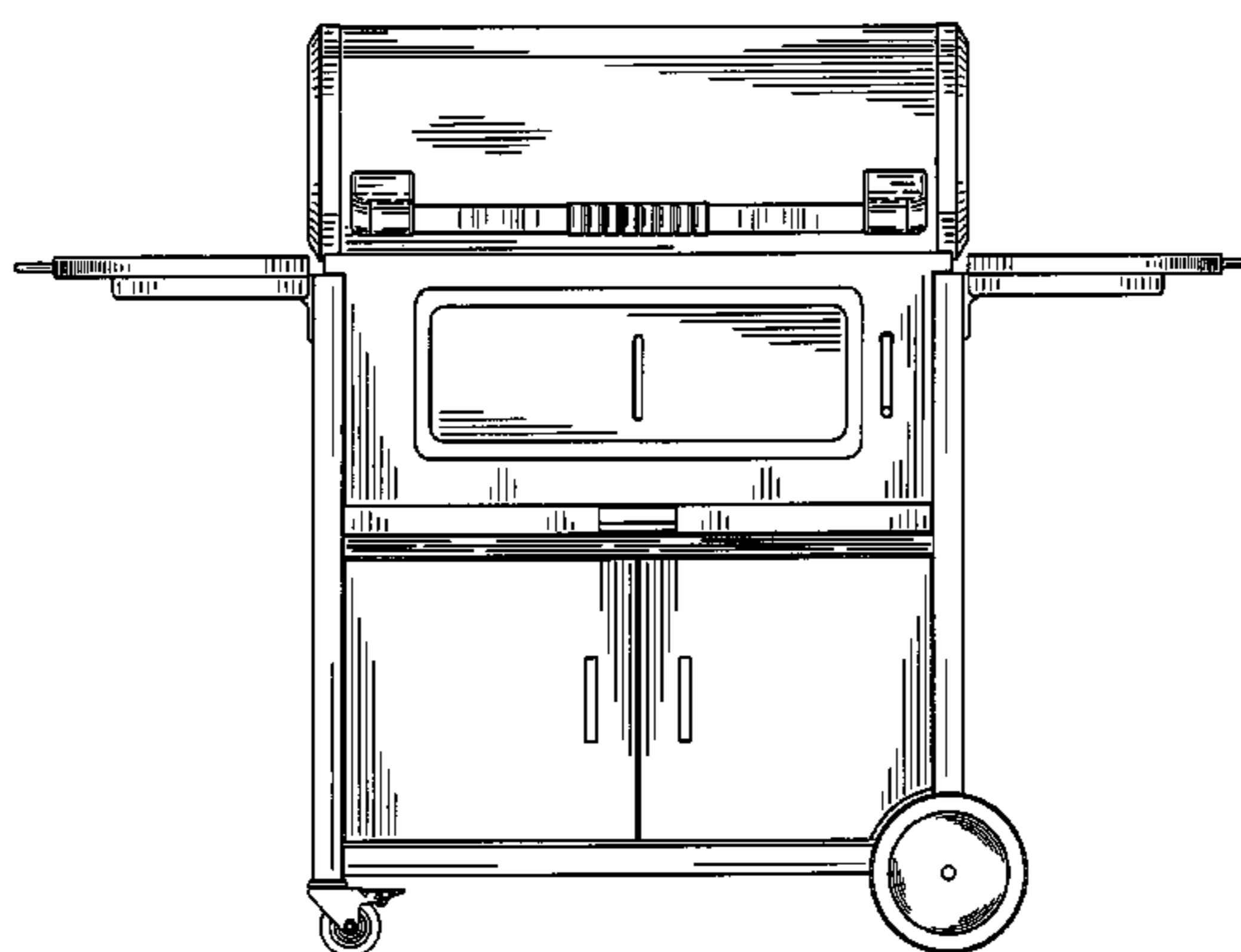
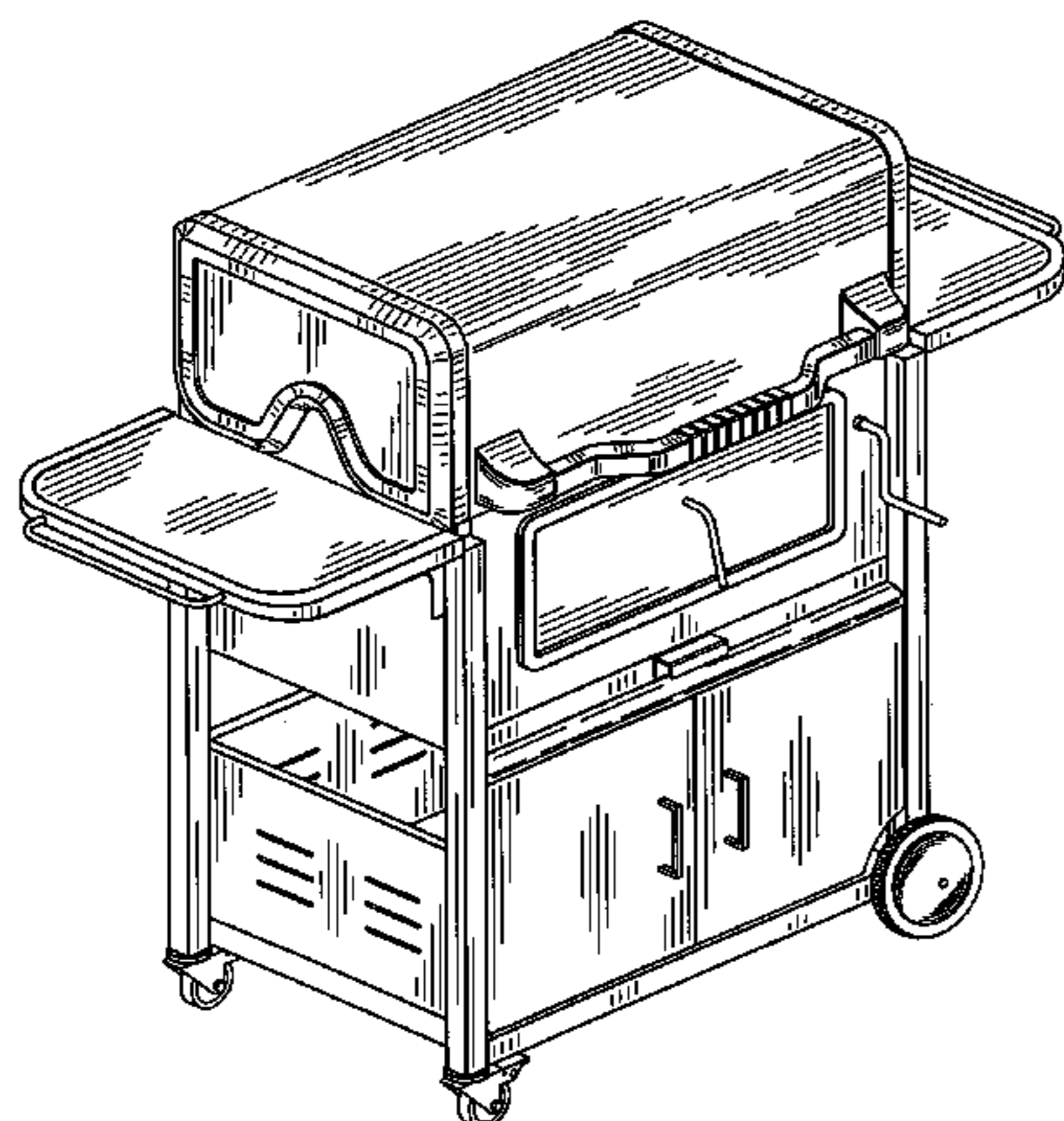
(57) **CLAIM**

We claim the ornamental design for a grill, as shown and described.

DESCRIPTION

FIG. 1 is a perspective view of the grill showing the new design;
FIG. 2 is a front elevational view thereof;
FIG. 3 is a rear elevational view thereof;
FIG. 4 is a right side elevational view thereof;
FIG. 5 is a left side elevational view thereof;
FIG. 6 is a top plan view thereof; and,
FIG. 7 is a bottom plan view thereof.

1 Claim, 6 Drawing Sheets



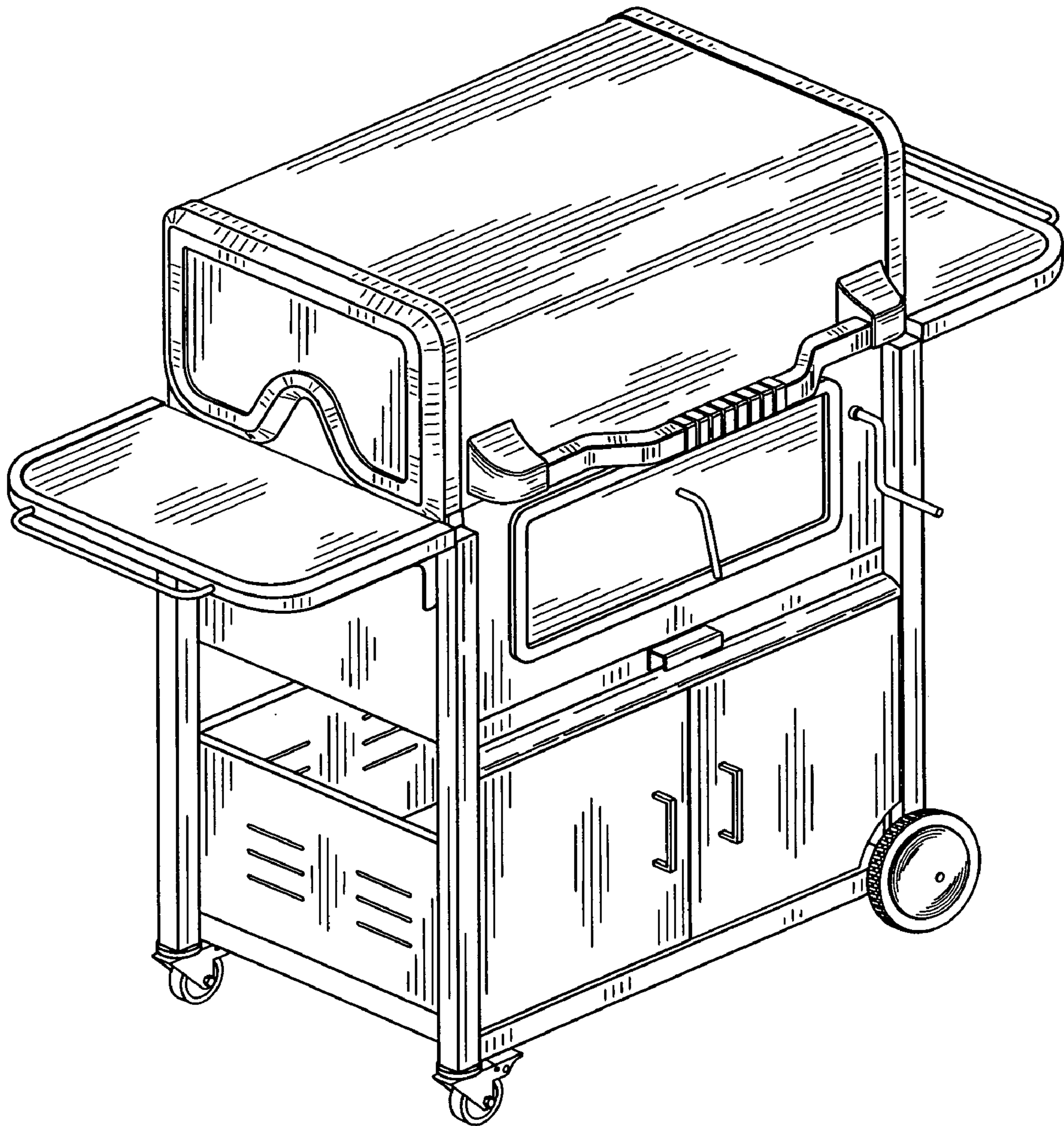


FIG. 1

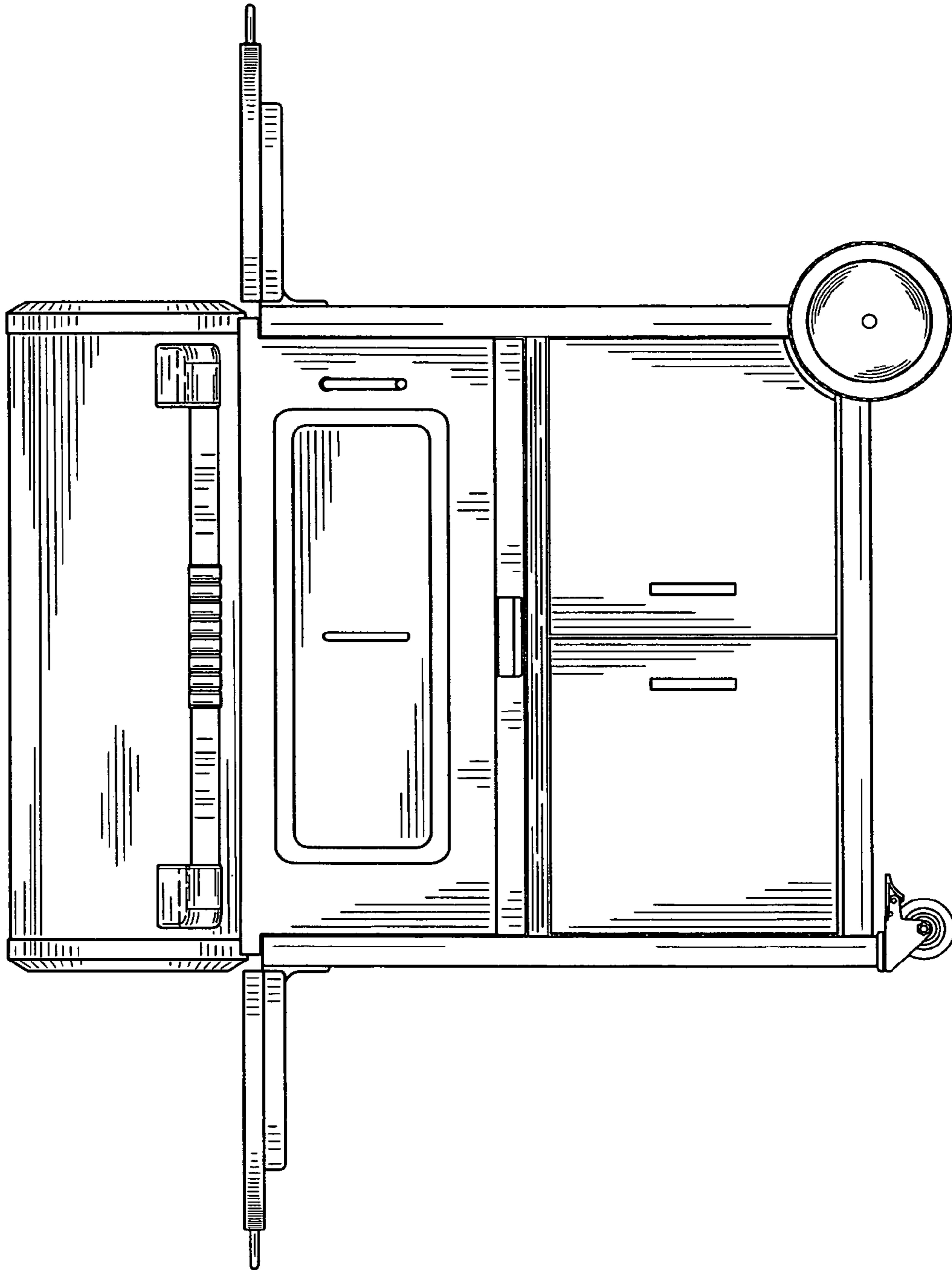


FIG. 2

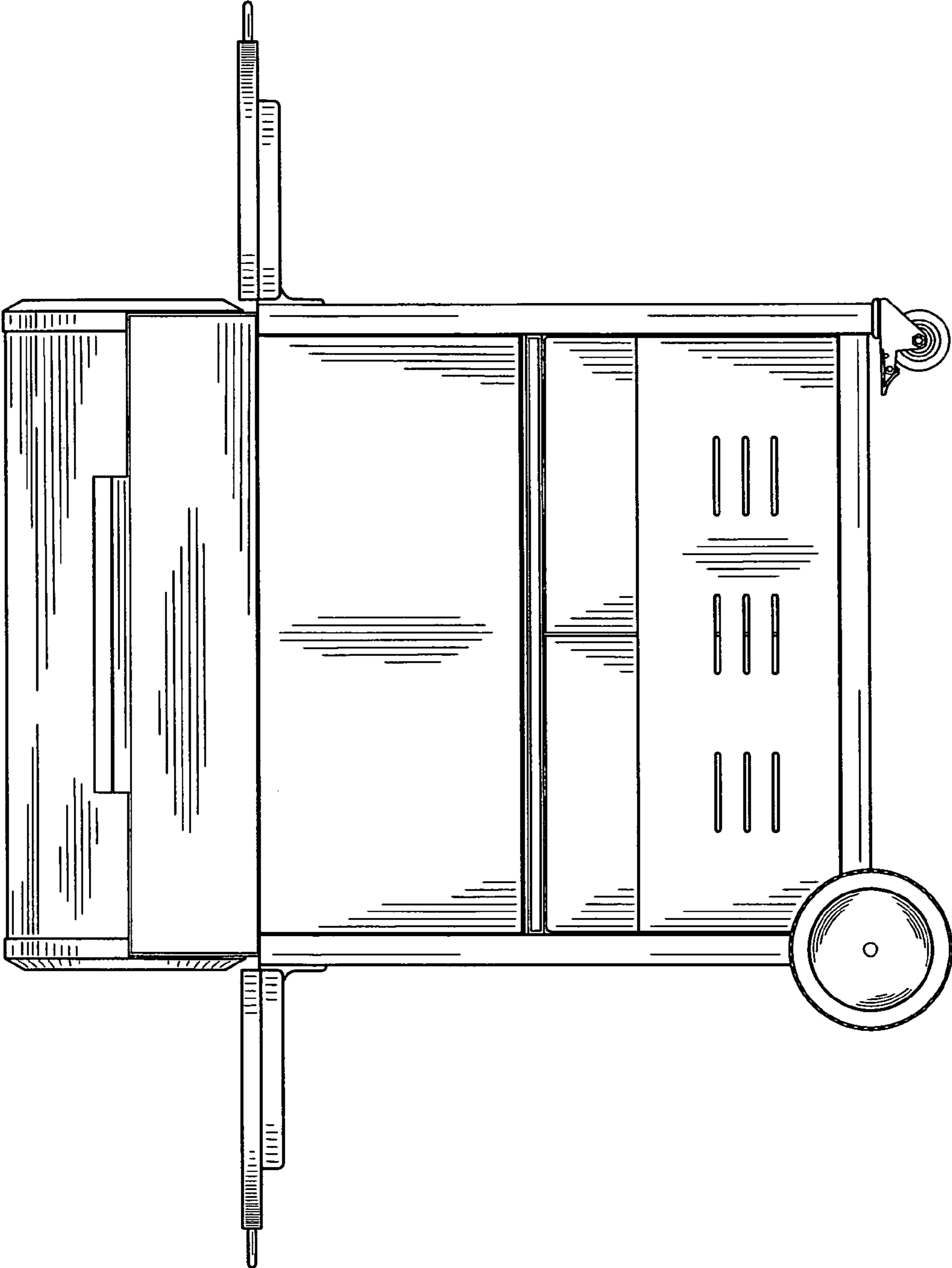


FIG. 3

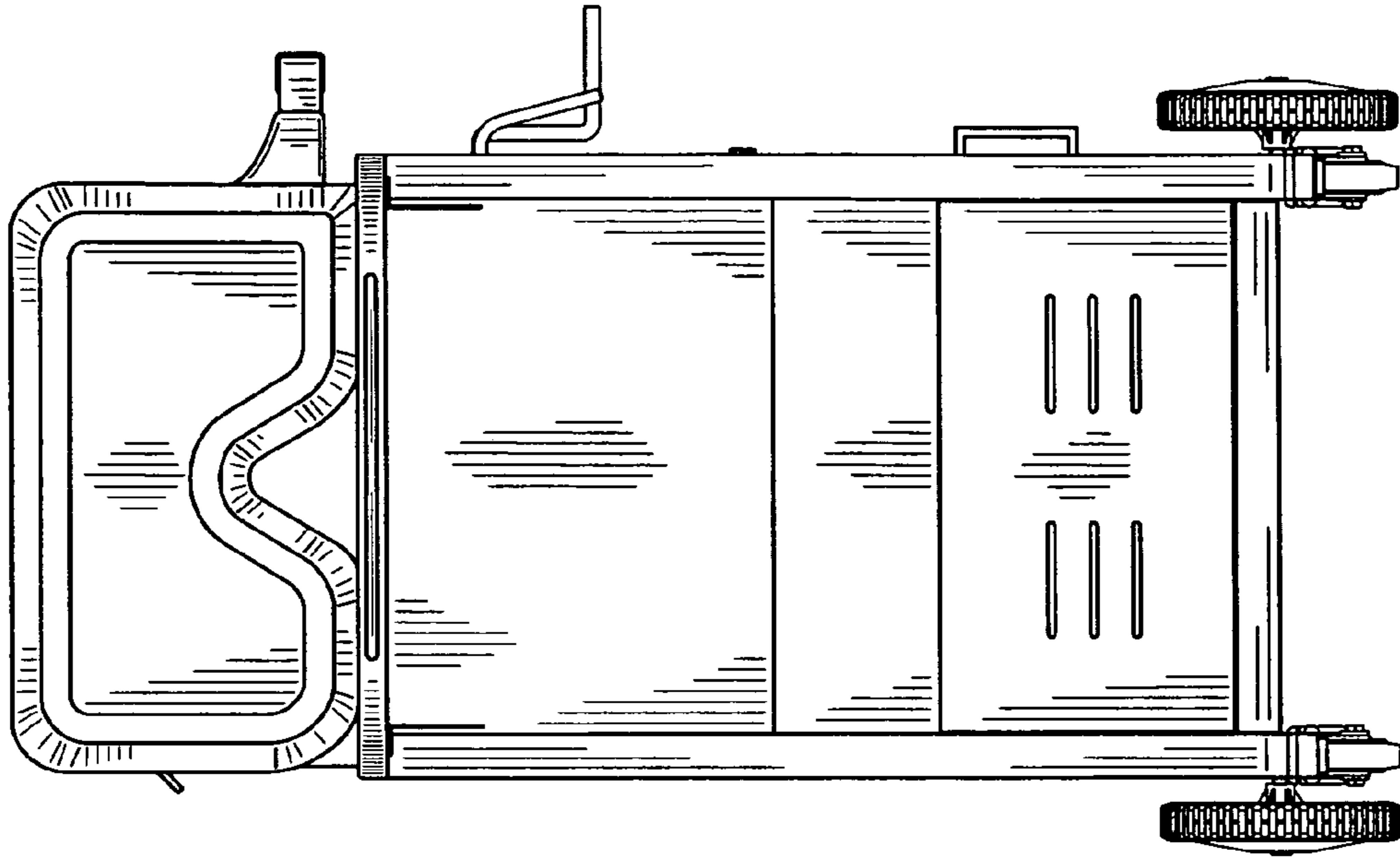


FIG. 5

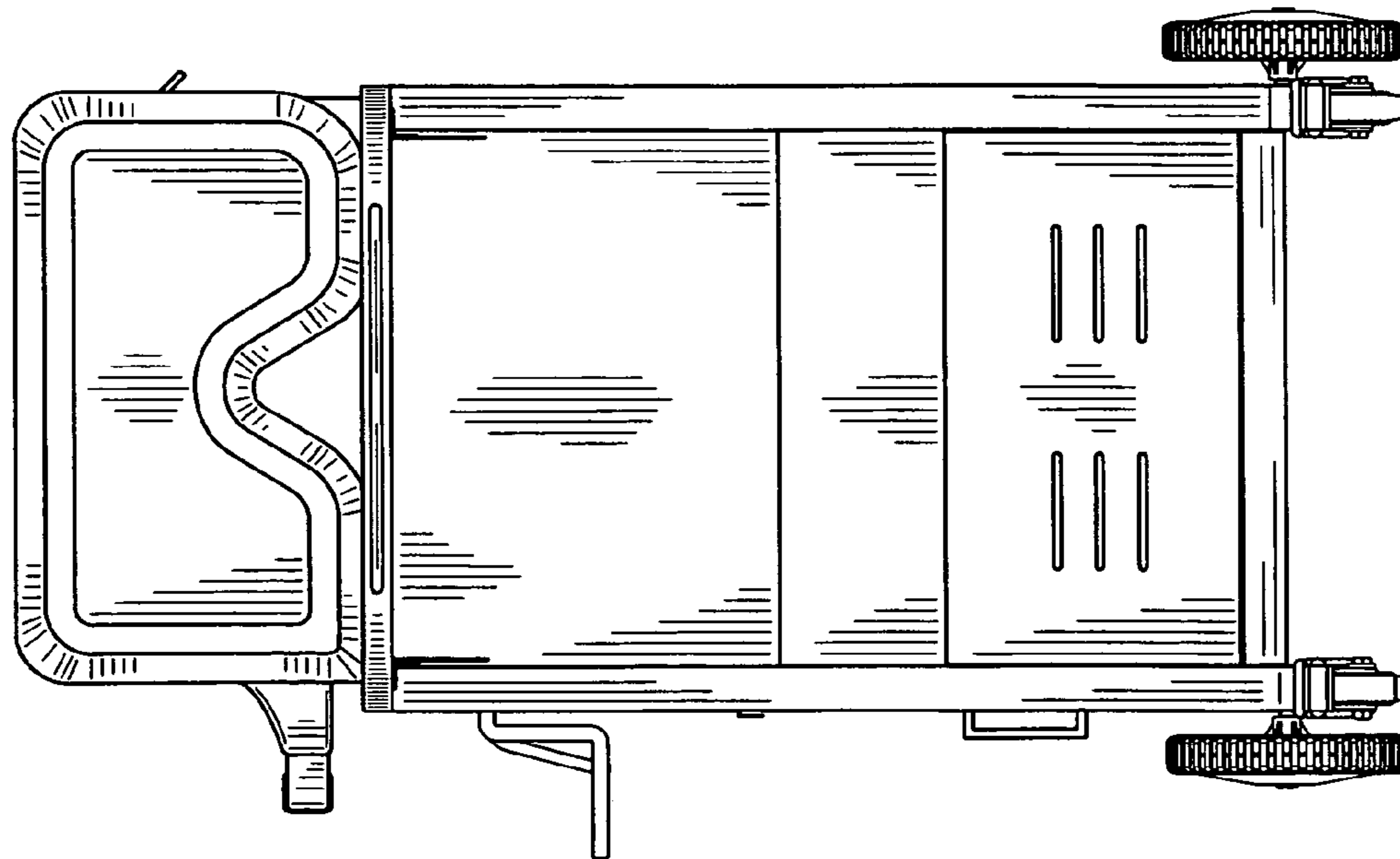


FIG. 4

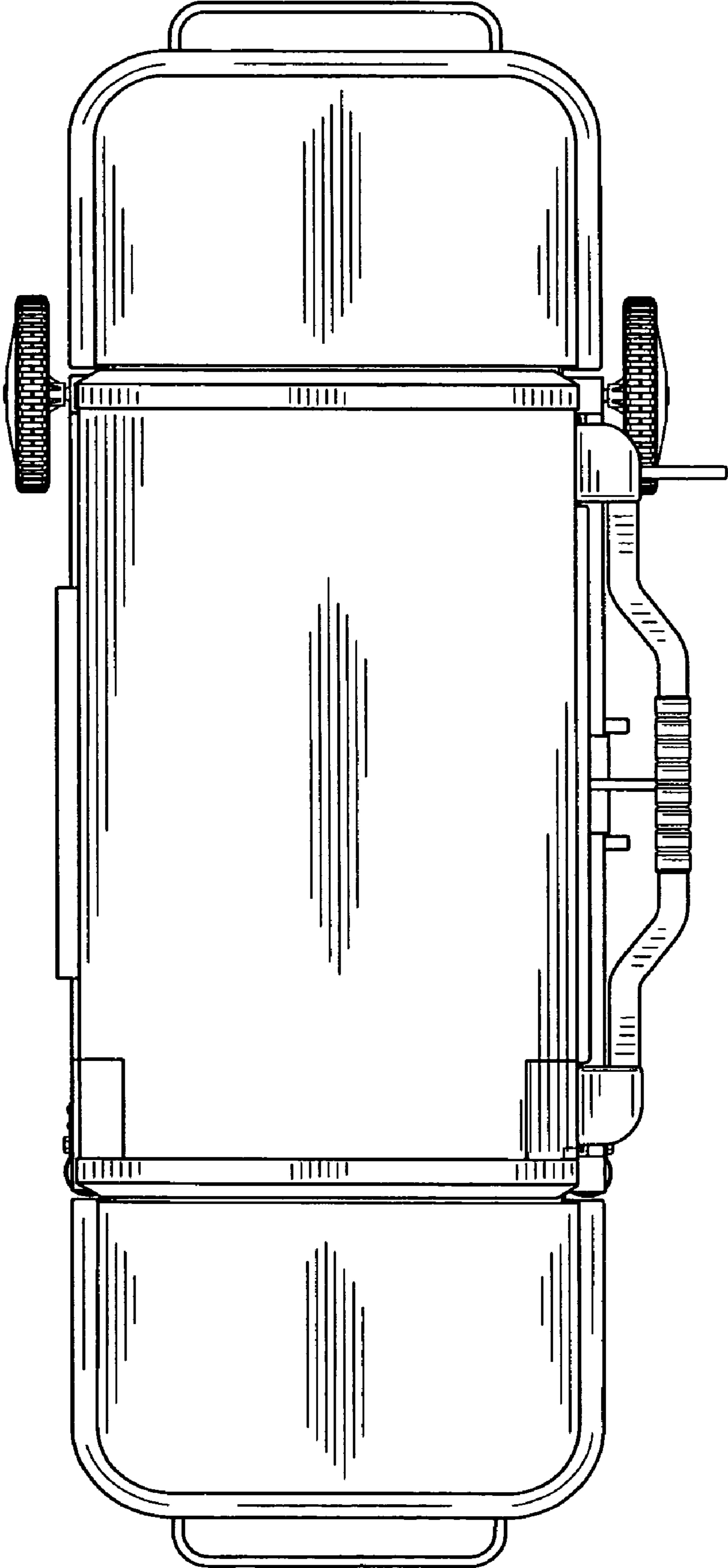


FIG. 6

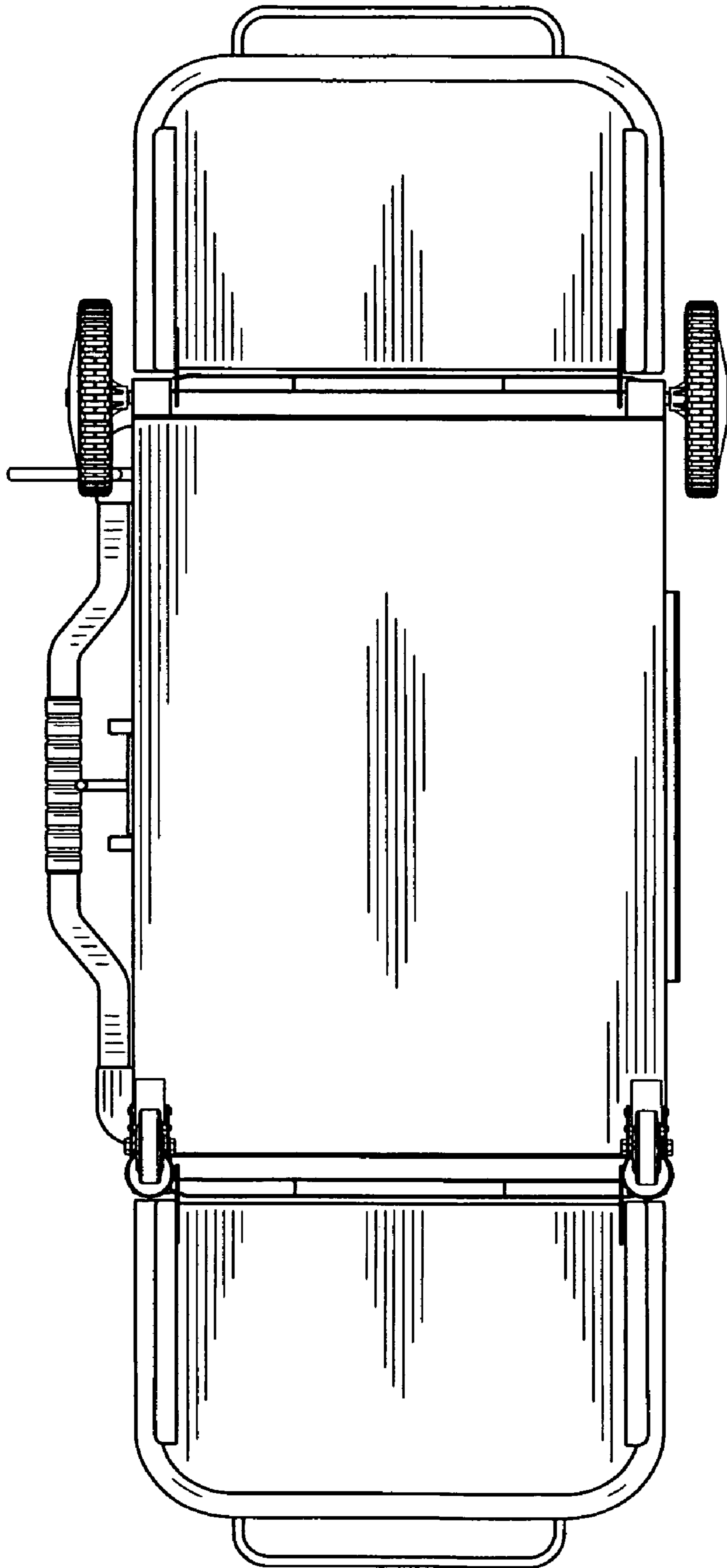


FIG. 7