

US00D560413S

(12) **United States Design Patent**
Stein

(10) **Patent No.: US D560,413 S**

(45) **Date of Patent: ** *Jan. 29, 2008**

(54) **BOWLING BALL THEMED BEVERAGE DISPENSER**

(75) Inventor: **David J. Stein**, Columbus, OH (US)

(73) Assignee: **BeerTubes.com LLC**, Columbus, OH (US)

(*) Notice: This patent is subject to a terminal disclaimer.

(**) Term: **14 Years**

(21) Appl. No.: **29/257,373**

(22) Filed: **Apr. 3, 2006**

(51) **LOC (8) Cl.** **07-01**

(52) **U.S. Cl.** **D7/301; D7/306; D7/313**

(58) **Field of Classification Search** D7/300,
D7/301, 306, 313, 901; D15/9.3; D26/128;
D9/653, 600; 222/146.6, 146.5, 469, 185.1;
D20/5; D23/201

See application file for complete search history.

(56) **References Cited**

U.S. PATENT DOCUMENTS

1,505,435	A	*	8/1924	Schatz	366/181.5
D75,740	S	*	7/1928	Look	D7/313
D103,078	S	*	2/1937	Harison	D7/313
D196,375	S	*	9/1963	Fraudette	D7/511
D255,240	S	*	6/1980	Thomas	D14/143

D262,711	S	*	1/1982	Cox et al.	D7/313
D340,077	S	*	10/1993	Turner	D19/82
D349,556	S	*	8/1994	Ferger	D7/301
D412,262	S	*	7/1999	Roundtree	D7/307
D429,943	S	*	8/2000	Yu	D7/306
D430,380	S	*	8/2000	Diamond	D99/30
D431,145	S	*	9/2000	Woebcke et al.	D7/306
D499,598	S	*	12/2004	Guadalupi	D7/306

* cited by examiner

Primary Examiner—M. N. Pandozzi

(74) *Attorney, Agent, or Firm*—Gallagher & Dawsey Co., LPA; Michael J Gallagher; David J. Dawsey

(57) **CLAIM**

The ornamental design for a bowling ball themed beverage dispenser, as shown and described.

DESCRIPTION

FIG. 1 is a perspective view of a bowling ball themed beverage dispenser showing my new design;

FIG. 2 is a right side elevation view thereof;

FIG. 3 is a left side elevation view thereof;

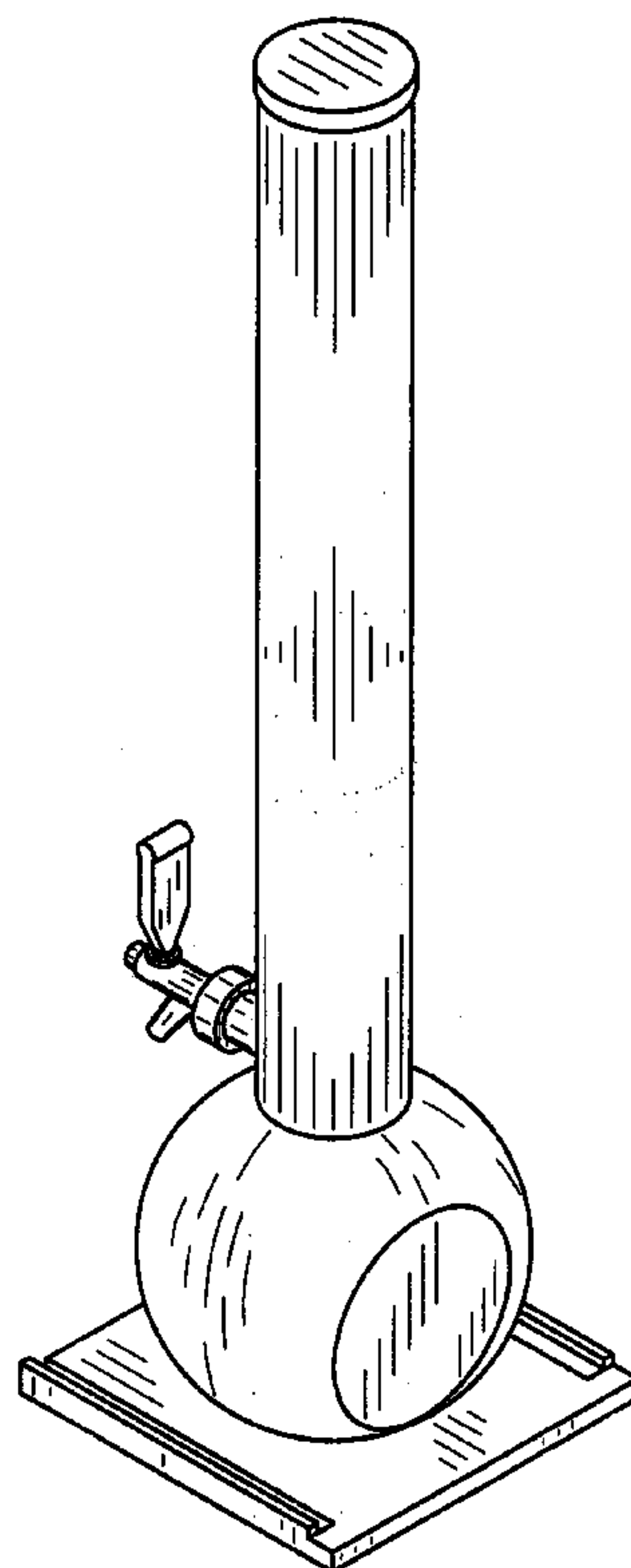
FIG. 4 is a rear elevation view thereof;

FIG. 5 is a front elevation view thereof;

FIG. 6 is an enlarged top plan view thereof; and,

FIG. 7 is an enlarged bottom plan view thereof.

1 Claim, 4 Drawing Sheets



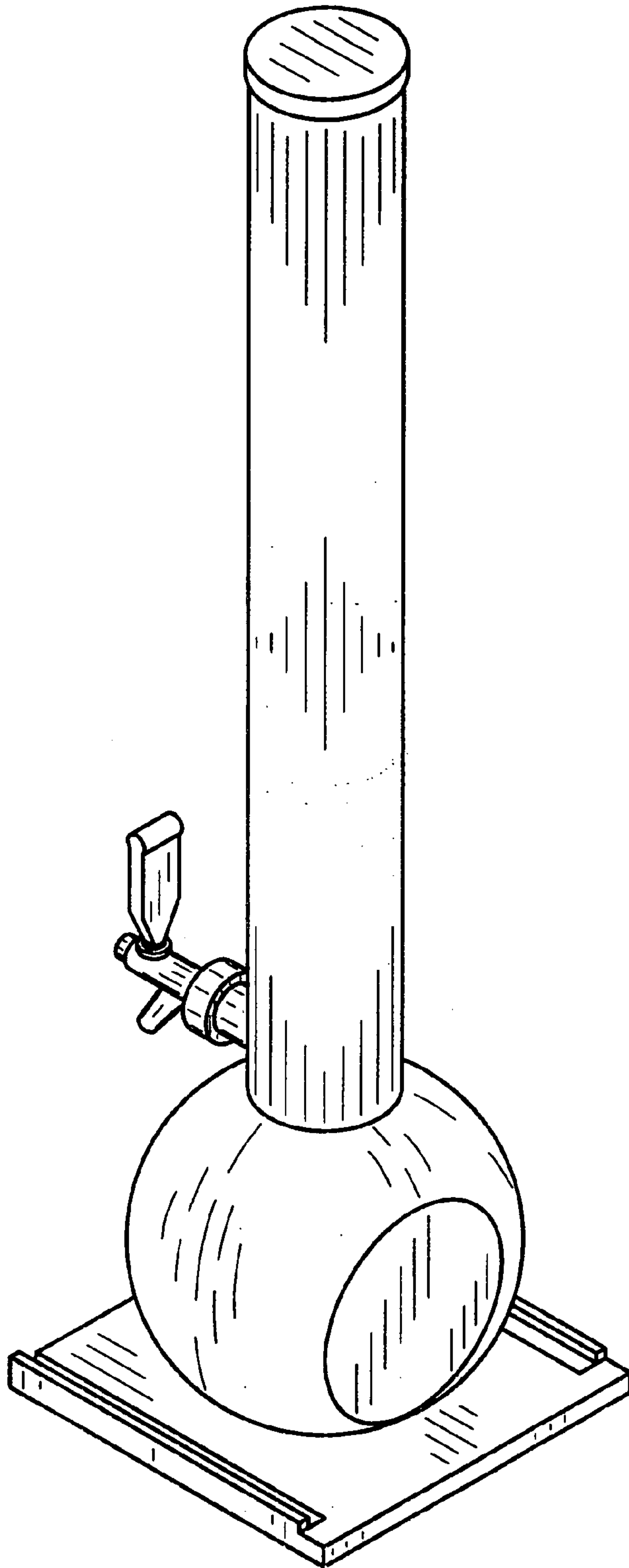


FIG. 1

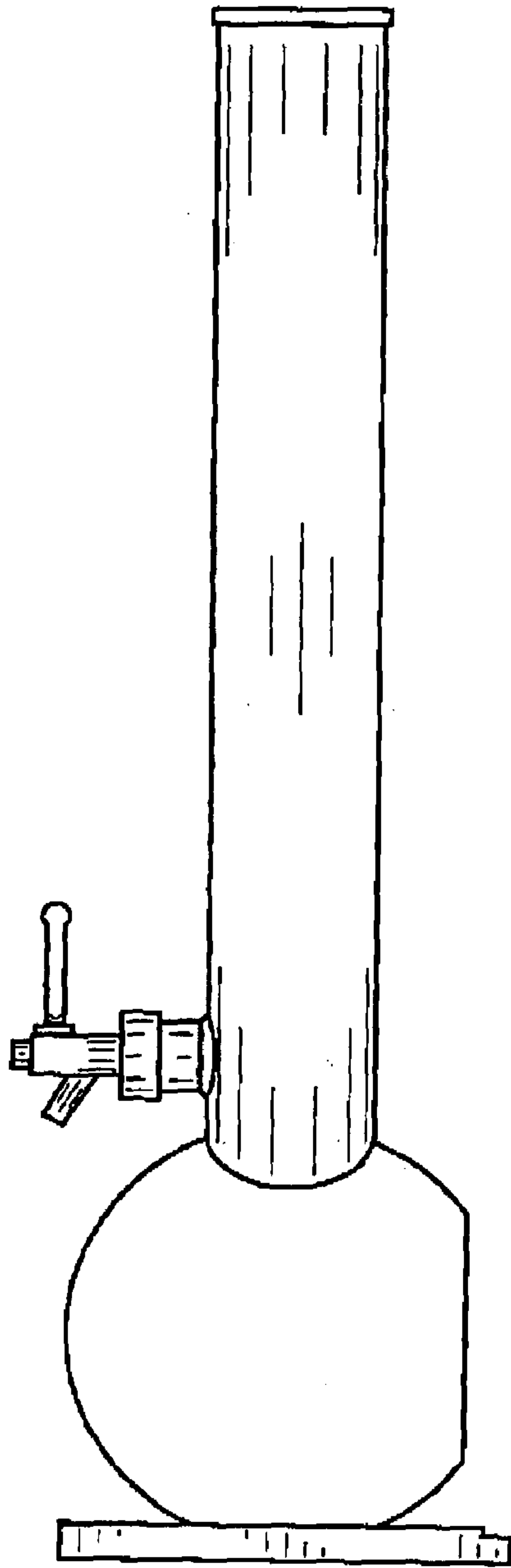


FIG. 2

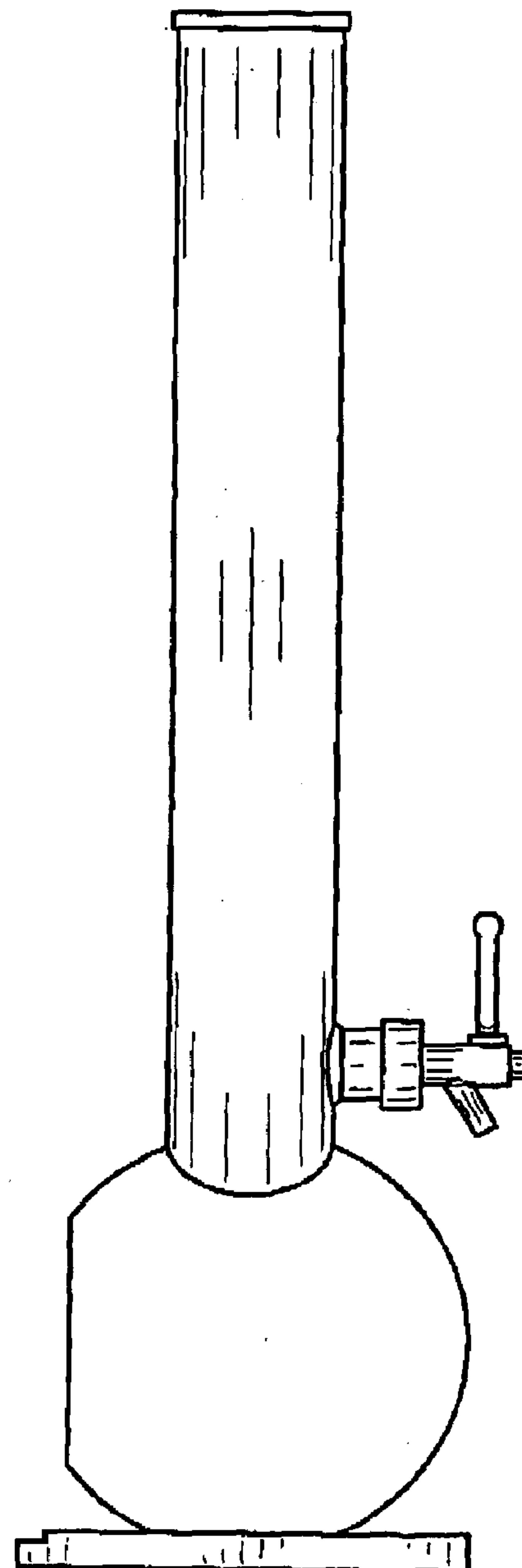


FIG. 3

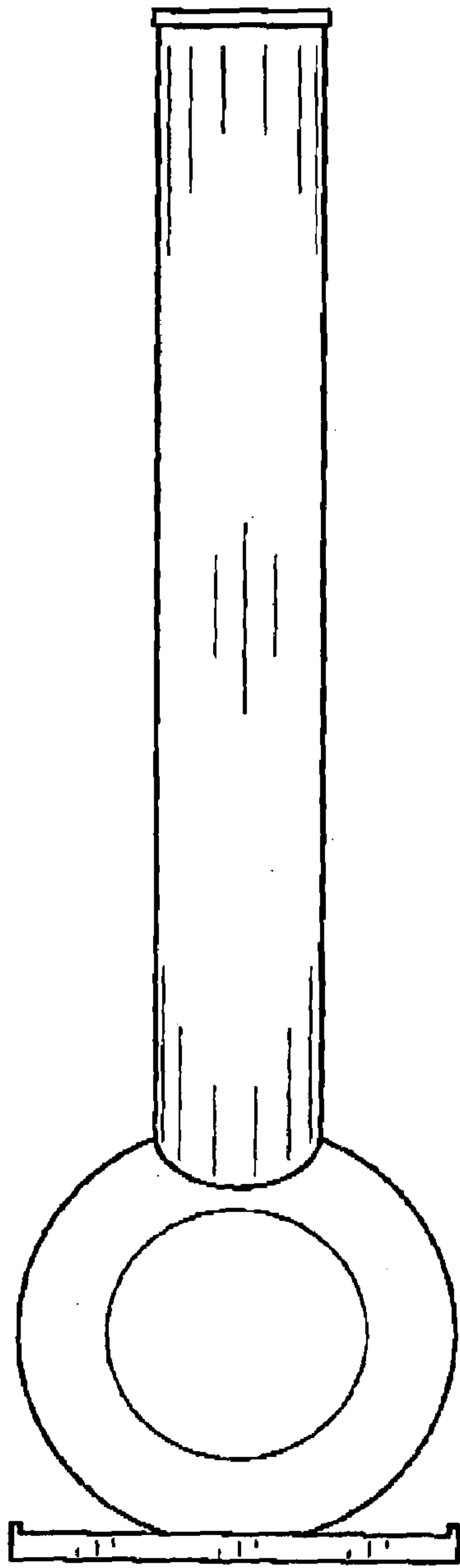


FIG. 4

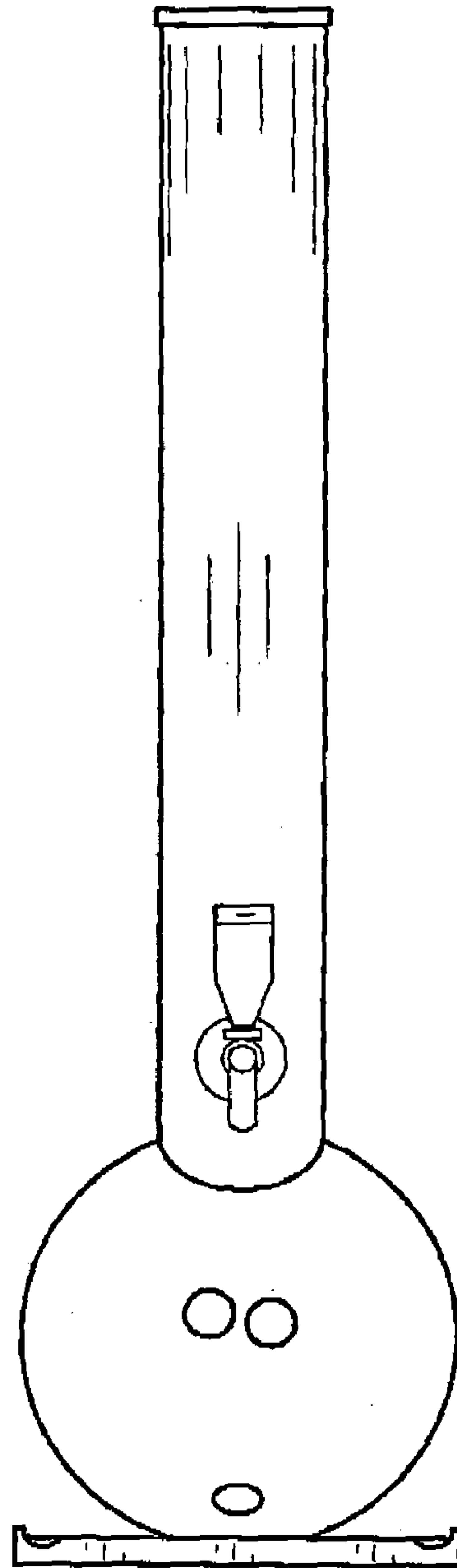


FIG. 5

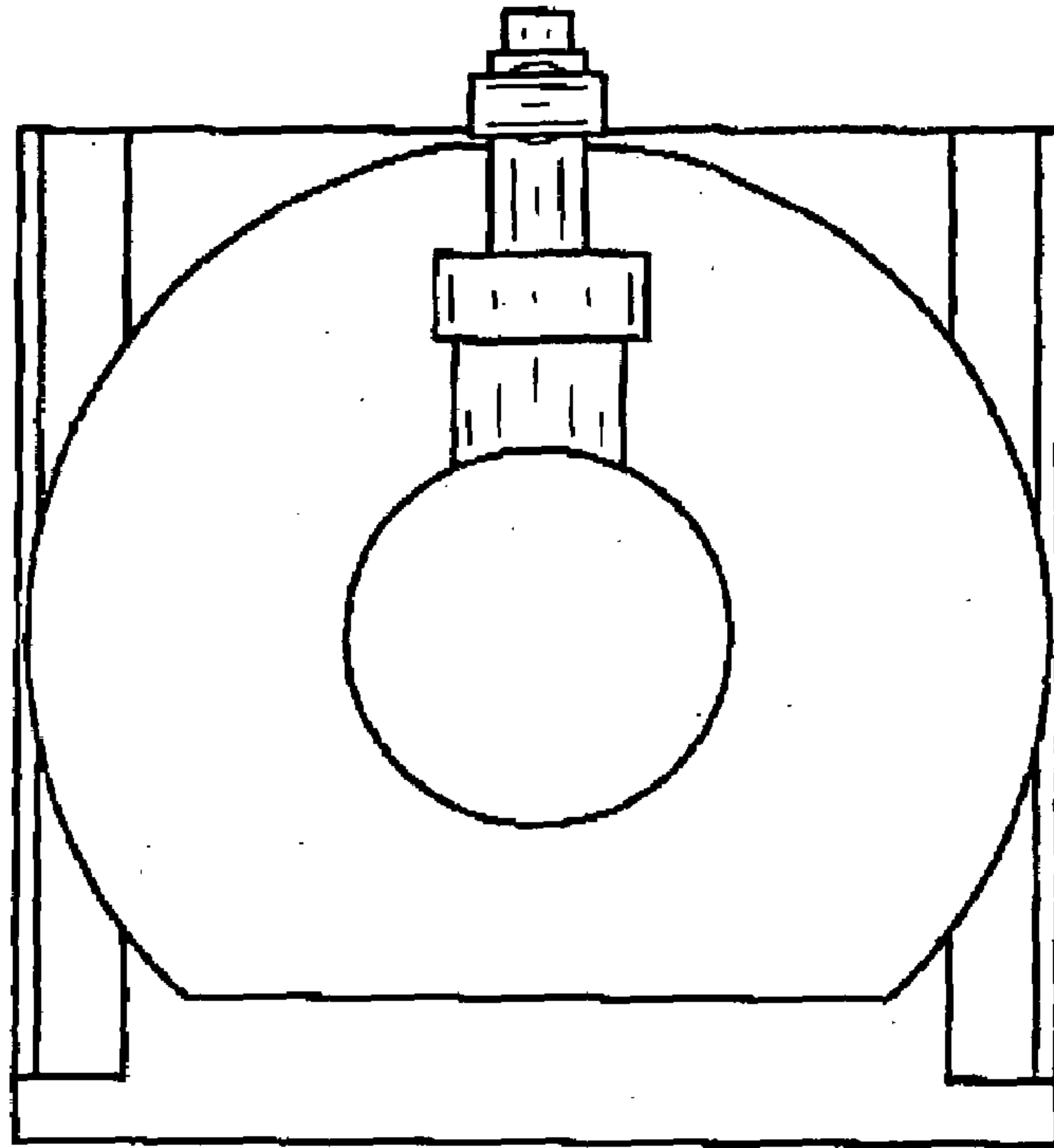


FIG. 6

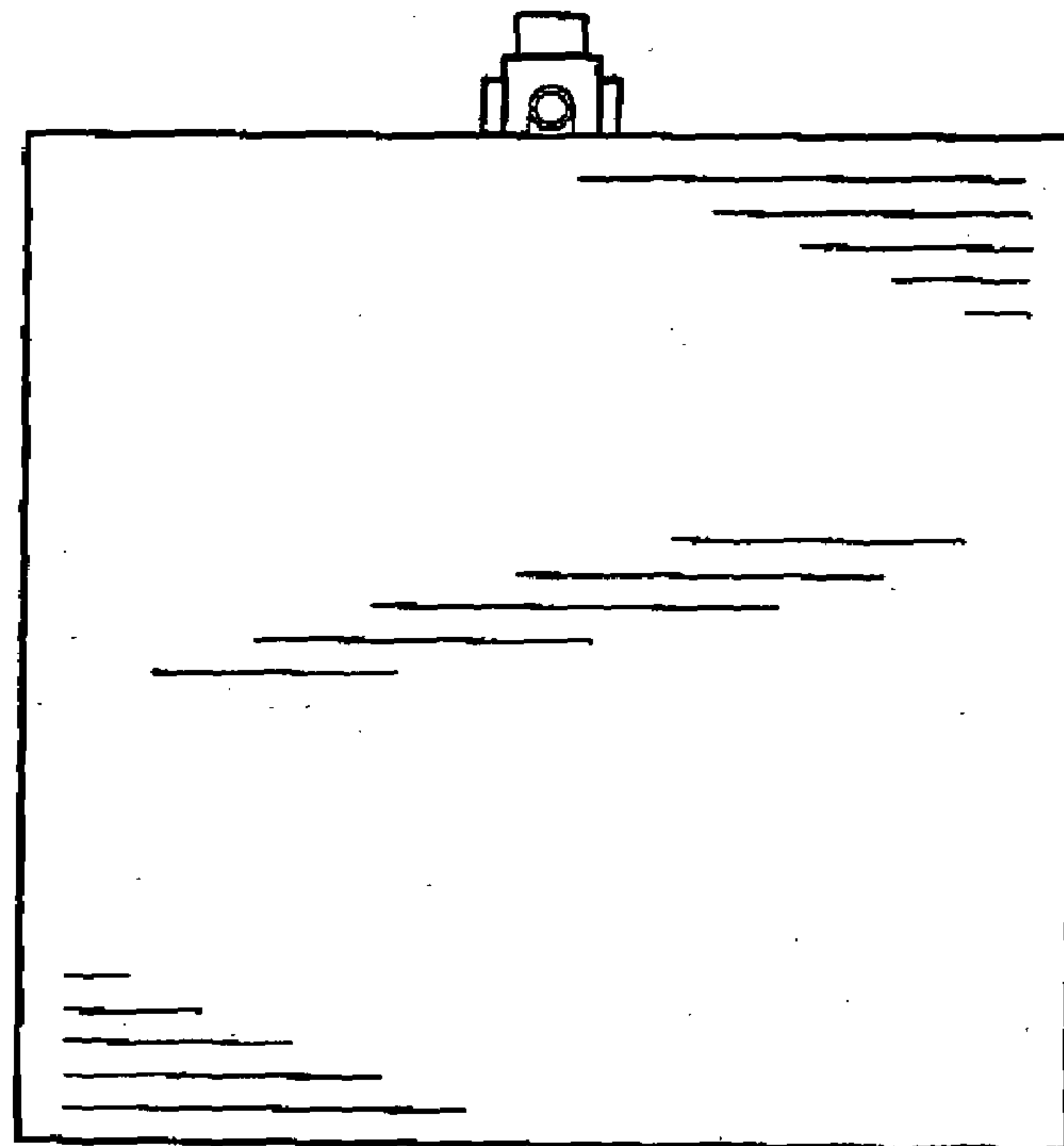


FIG. 7