

US00D560411S

(12) **United States Design Patent**
Chung

(10) **Patent No.:** **US D560,411 S**

(45) **Date of Patent:** **** Jan. 29, 2008**

(54) **WALL-MOUNTING TELEVISION PROP FOR PDP**

D547,585 S * 7/2007 Netto et al. D6/574

(75) Inventor: **Sung-A Chung**, Seoul (KR)

(73) Assignee: **Samsung Electronics Co., Ltd.**,
Kyunggi-do (KR)

(**) Term: **14 Years**

(21) Appl. No.: **29/263,522**

(22) Filed: **Jul. 25, 2006**

(51) **LOC (8) Cl.** **06-04**

(52) **U.S. Cl.** **D6/567**

(58) **Field of Classification Search** D6/553,
D6/567, 555, 574, 474, 461, 468, 570, 569;
108/40, 42, 35, 59, 91, 92, 96, 134, 115, 152;
211/87.01, 90.04, 90.02, 119.005, 126.5,
211/134, 40, 41.12, 42, 49.1, 50
See application file for complete search history.

(56) **References Cited**

U.S. PATENT DOCUMENTS

- D331,338 S * 12/1992 Sussman D6/474
- D508,171 S * 8/2005 Choo D6/474
- D509,083 S * 9/2005 Sexton D6/474
- D537,656 S * 3/2007 Stenhouse et al. D6/474
- D538,093 S * 3/2007 Lee D6/555
- D543,729 S * 6/2007 Weatherly D6/474

OTHER PUBLICATIONS

U.S. Appl. No. 29/263,521, Applicant: Sung-A Chung filed Jul. 25, 2006 entitled Wall-Mounting Television Prop for DLP.

U.S. Appl. No. 29/263,519, Applicant: Sung-A Chung filed Jul. 25, 2006 entitled Standard-Type Television Prop for DLP.

* cited by examiner

Primary Examiner—Brian N Vinson

(74) *Attorney, Agent, or Firm*—Flynn, Thiel, Boutell & Tanis, P.C.

(57) **CLAIM**

The ornamental design for a wall-mounting television prop for PDP, as shown and described.

DESCRIPTION

FIG. 1 is a top front perspective view of a wall-mounting television prop for PDP showing our new design;

FIG. 2 is a front elevational view thereof;

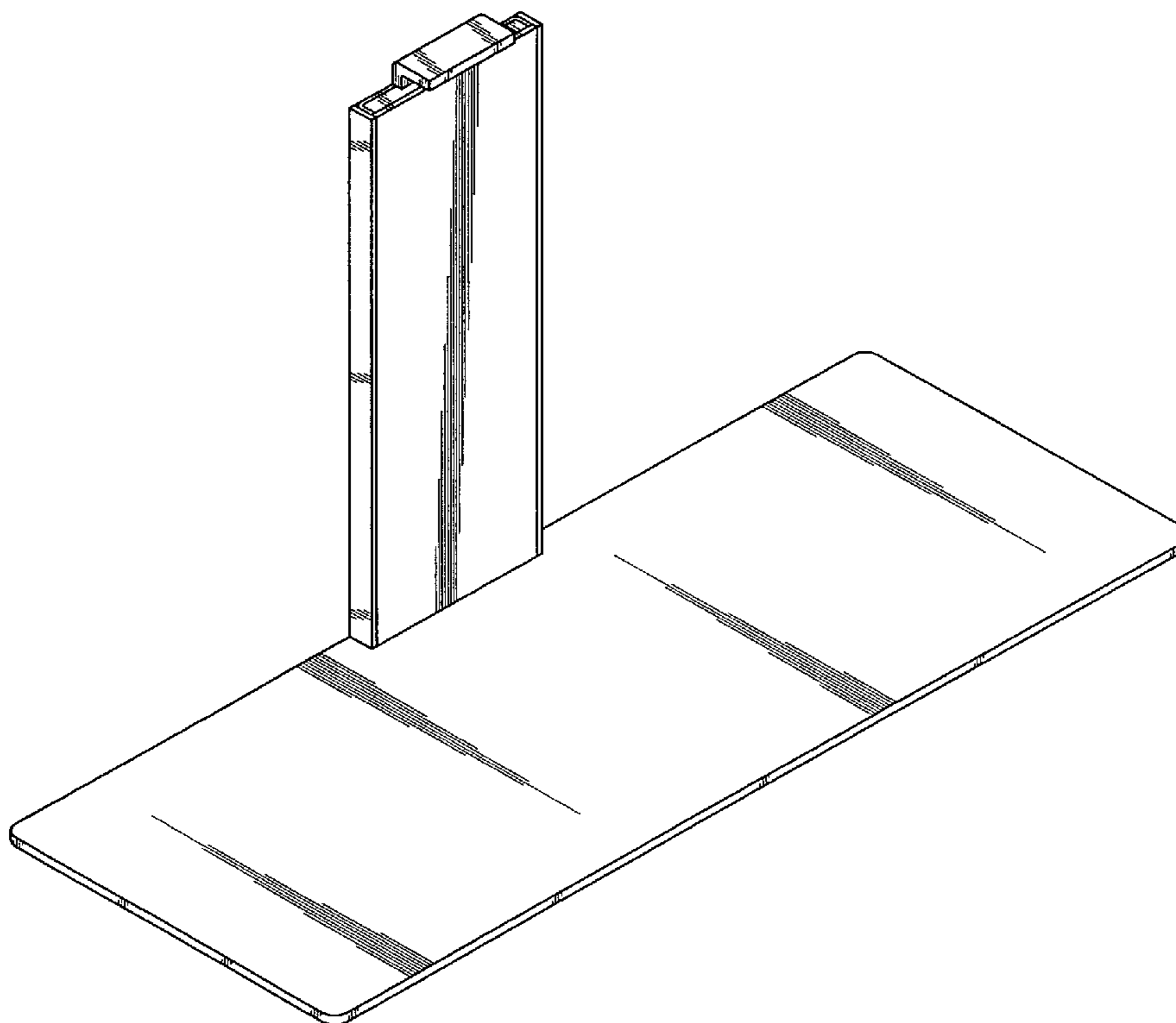
FIG. 3 is a rear elevational view thereof;

FIG. 4 is a left side elevational view, the right side being symmetrical thereof;

FIG. 5 is a top plan view thereof; and,

FIG. 6 is a bottom plan view thereof.

1 Claim, 4 Drawing Sheets



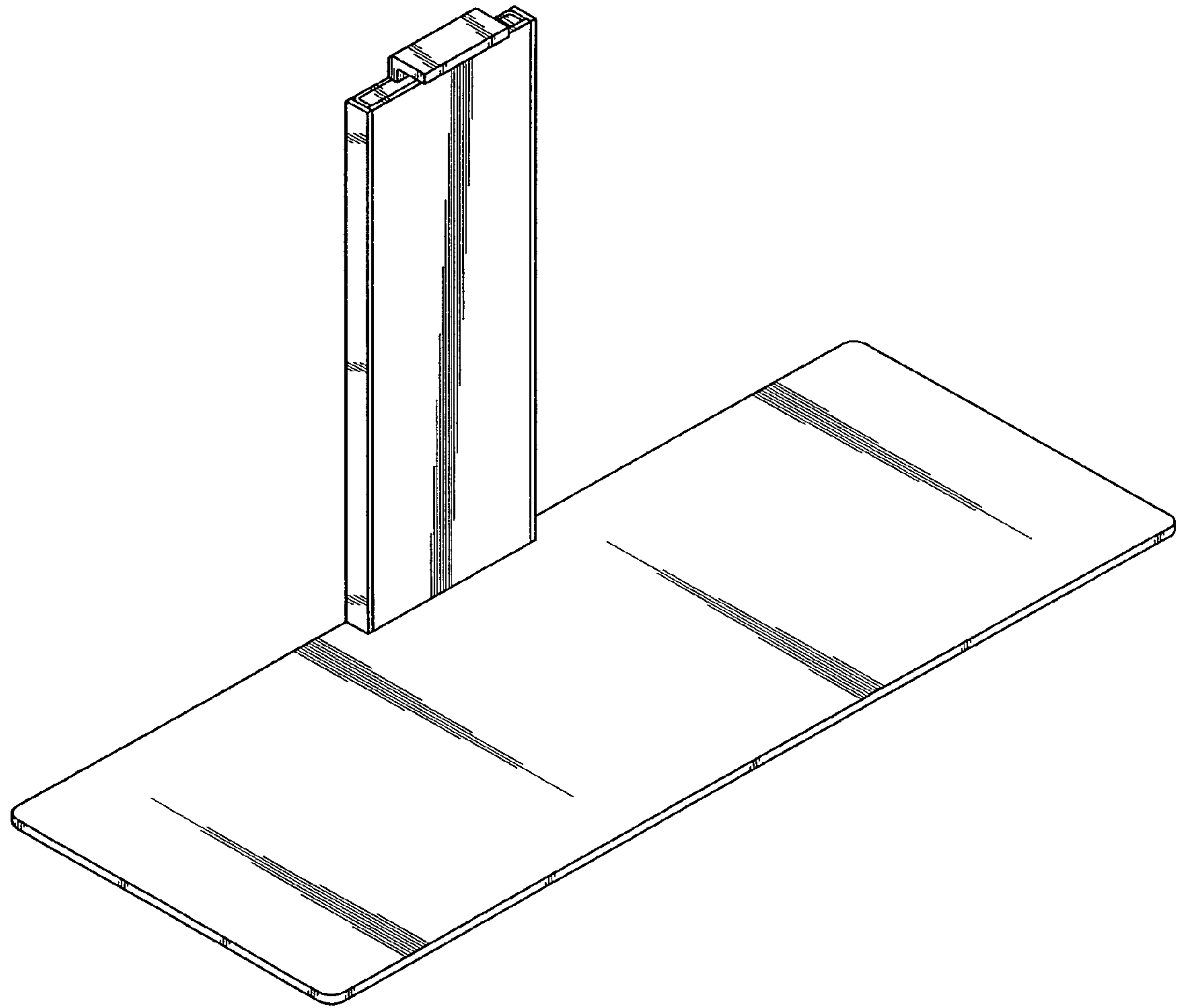


FIG. 1

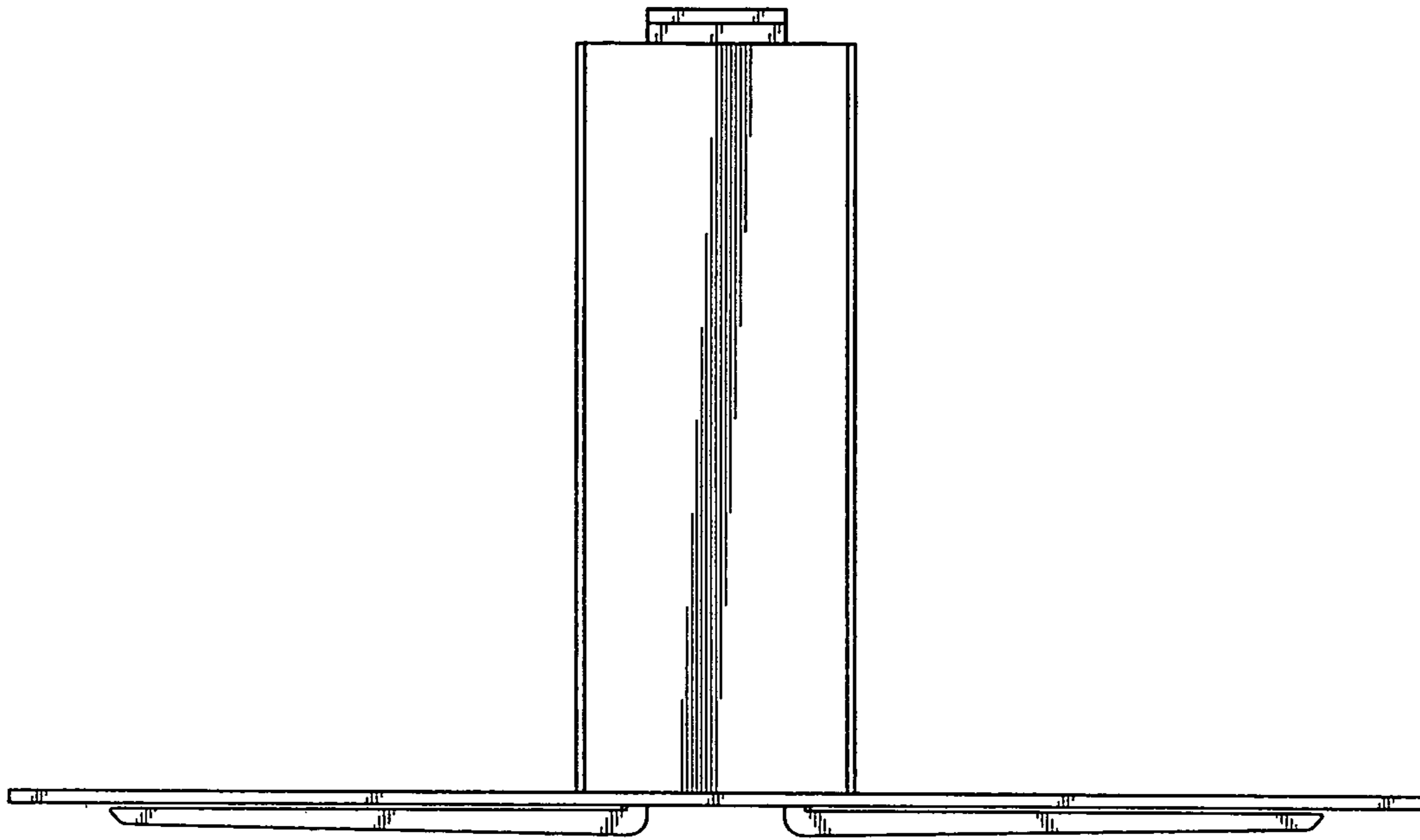


FIG. 2

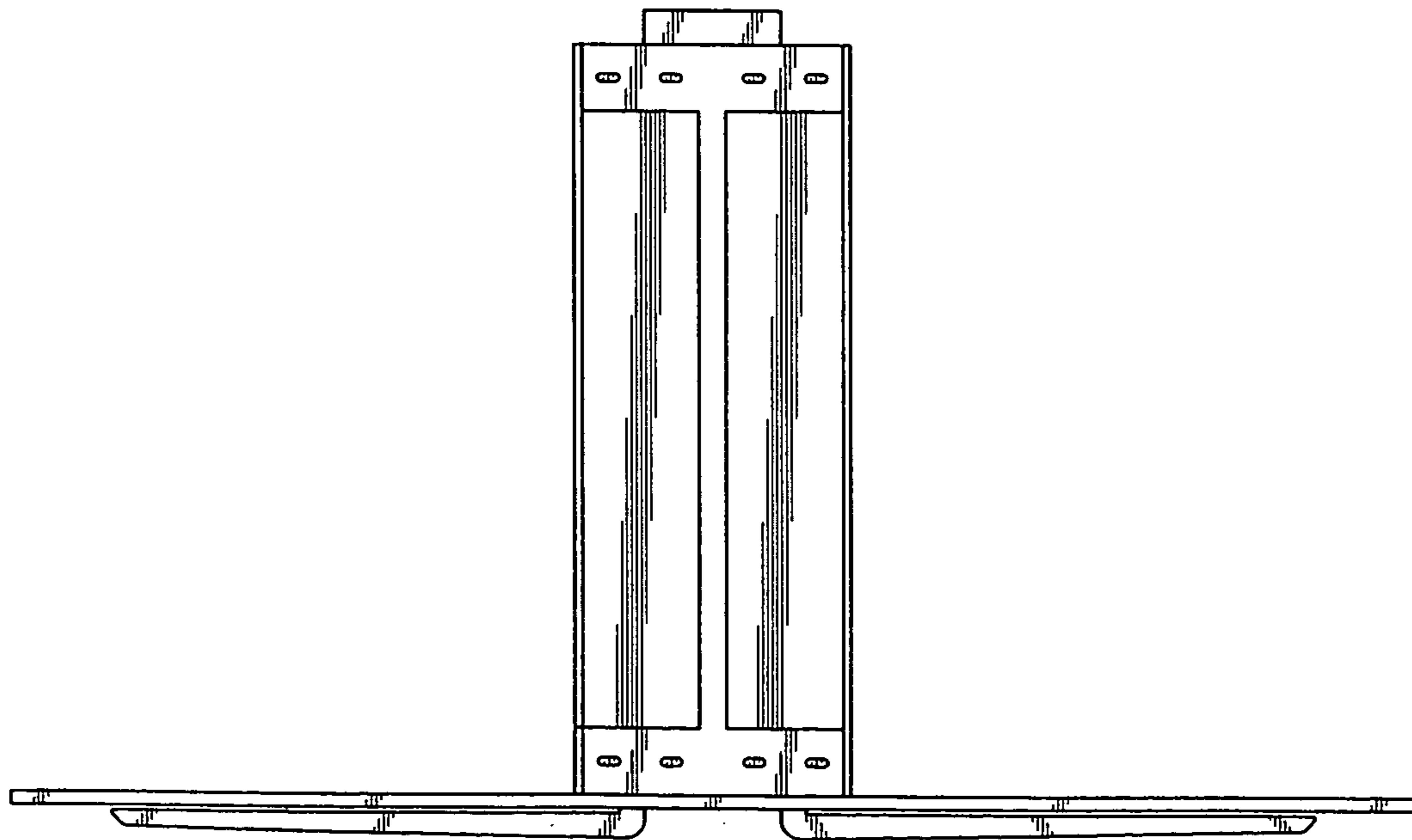


FIG. 3

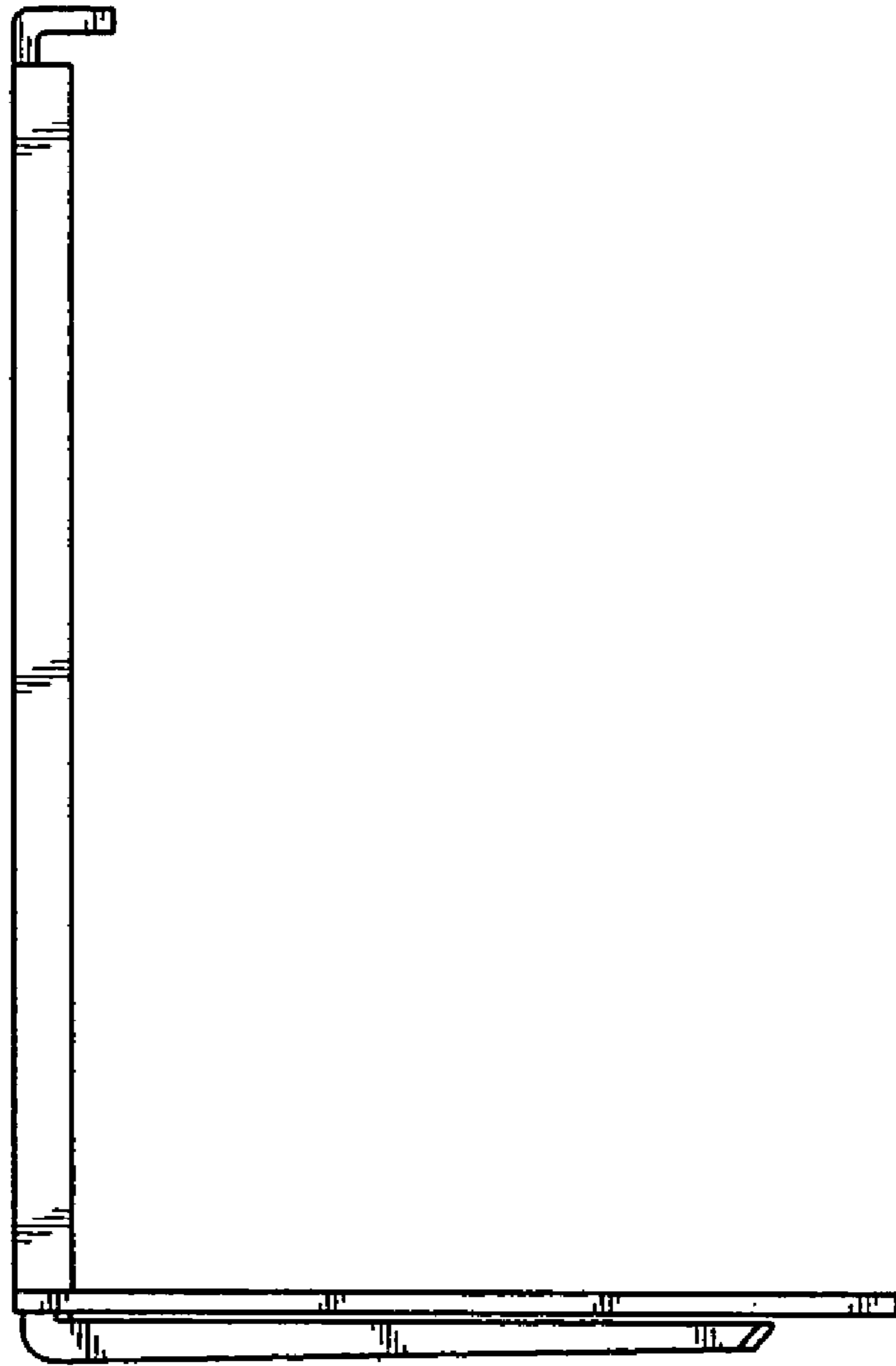


FIG. 4

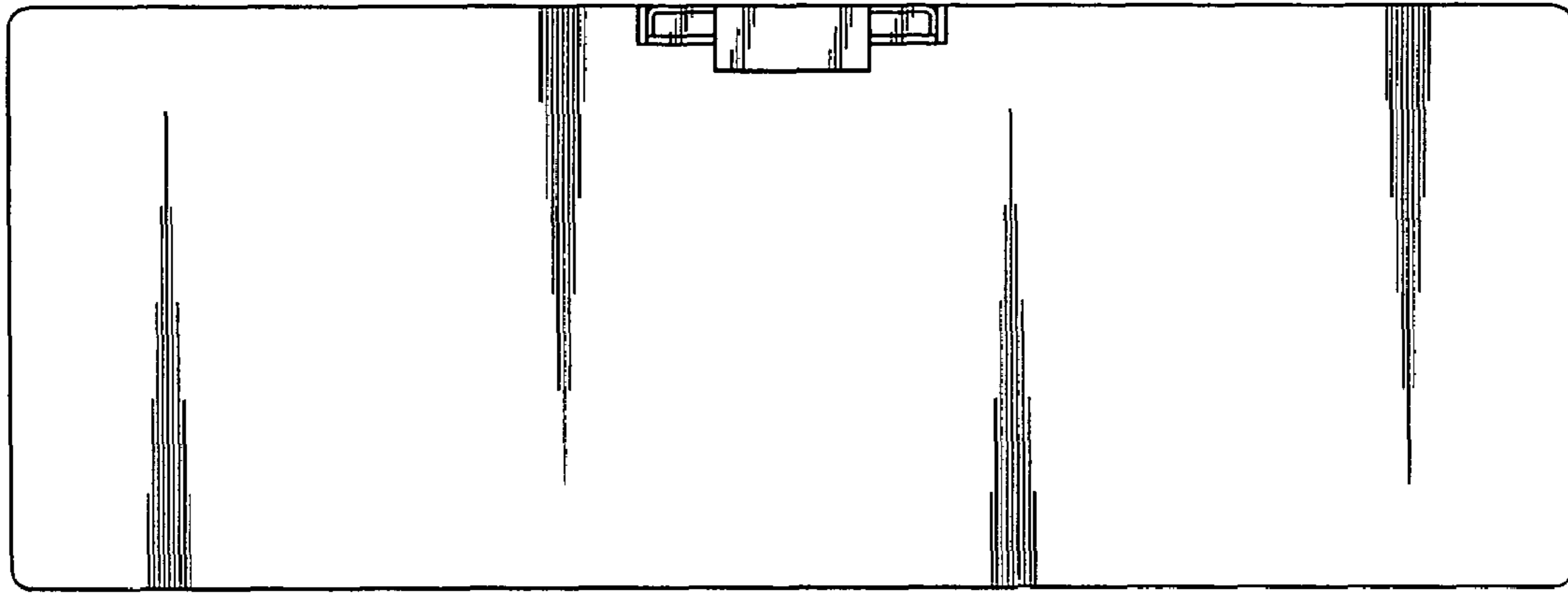


FIG. 5

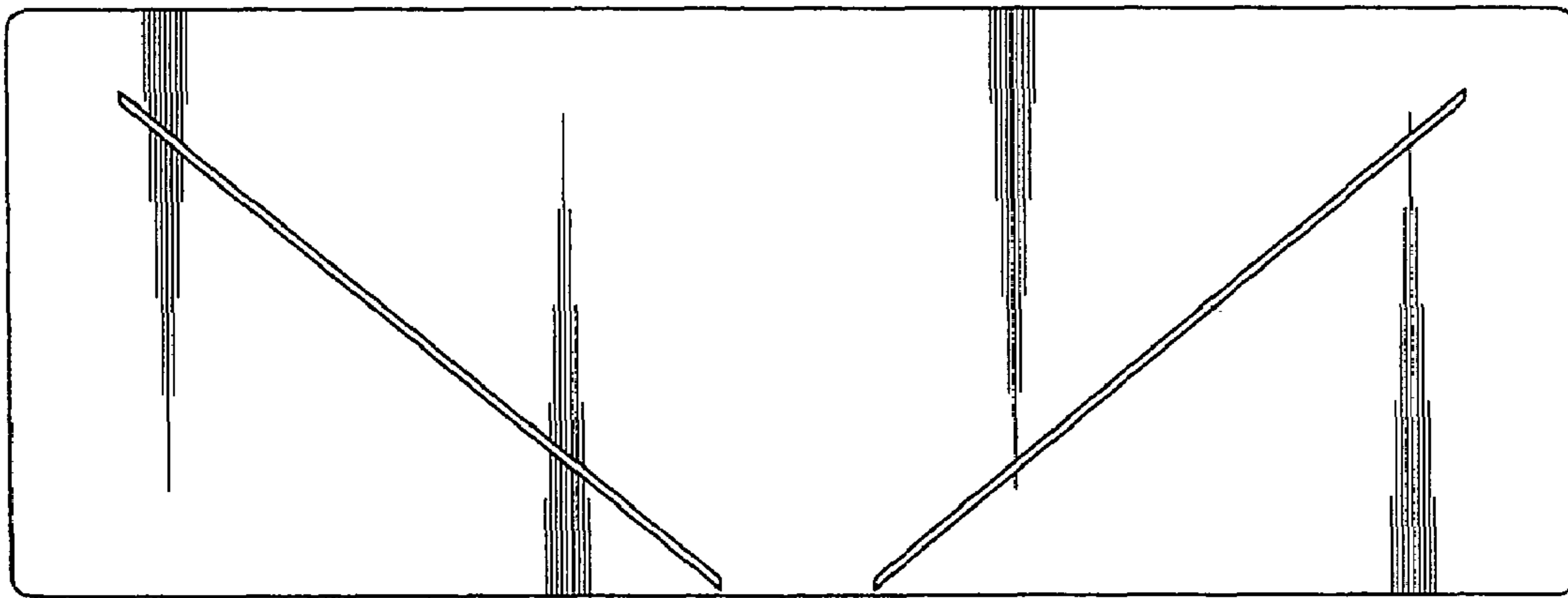


FIG. 6