



US00D560406S

(12) **United States Design Patent**  
**Privatt et al.**

(10) **Patent No.:** **US D560,406 S**  
(45) **Date of Patent:** **\*\* Jan. 29, 2008**

(54) **CHAIR BASE**

D538,055 S \* 3/2007 Kang ..... D6/366

(75) Inventors: **Leigh Herbert Privatt**, Kitchener (CA); **Grant Stephen Privatt**, Waterloo (CA)

**OTHER PUBLICATIONS**

Technical data sheets for Trend Chair design printed from website www.cofemo.com on Jul. 30, 2007.

(73) Assignee: **Bock PPL Inc.**, Ontario (CA)

\* cited by examiner

(\*\*) Term: **14 Years**

*Primary Examiner*—Mimosa De  
(74) *Attorney, Agent, or Firm*—Michael Bednarek; Paul, Hastings, Janofsky & Walker LLP

(21) Appl. No.: **29/274,215**

(22) Filed: **Apr. 5, 2007**

(57) **CLAIM**

(30) **Foreign Application Priority Data**

We claim the ornamental design for a chair base, as shown and described.

Oct. 12, 2006 (CA) ..... 117886

**DESCRIPTION**

(51) **LOC (8) Cl.** ..... **06-06**

FIG. 1 is a perspective view of the chair base;

(52) **U.S. Cl.** ..... **D6/498**

FIG. 2 is a front side elevational view thereof along a leg of the base, the side elevational views along the four remaining legs being a copy of this view;

(58) **Field of Classification Search** ..... D6/334-336, D6/364, 365, 366, 367, 498, 500-502; 248/188.7; 297/344.18, 358, 411.2, 411.27, 411.28, 463.1  
See application file for complete search history.

FIG. 3 is a top view thereof;

(56) **References Cited**

FIG. 4 is a bottom plan view thereof; and,

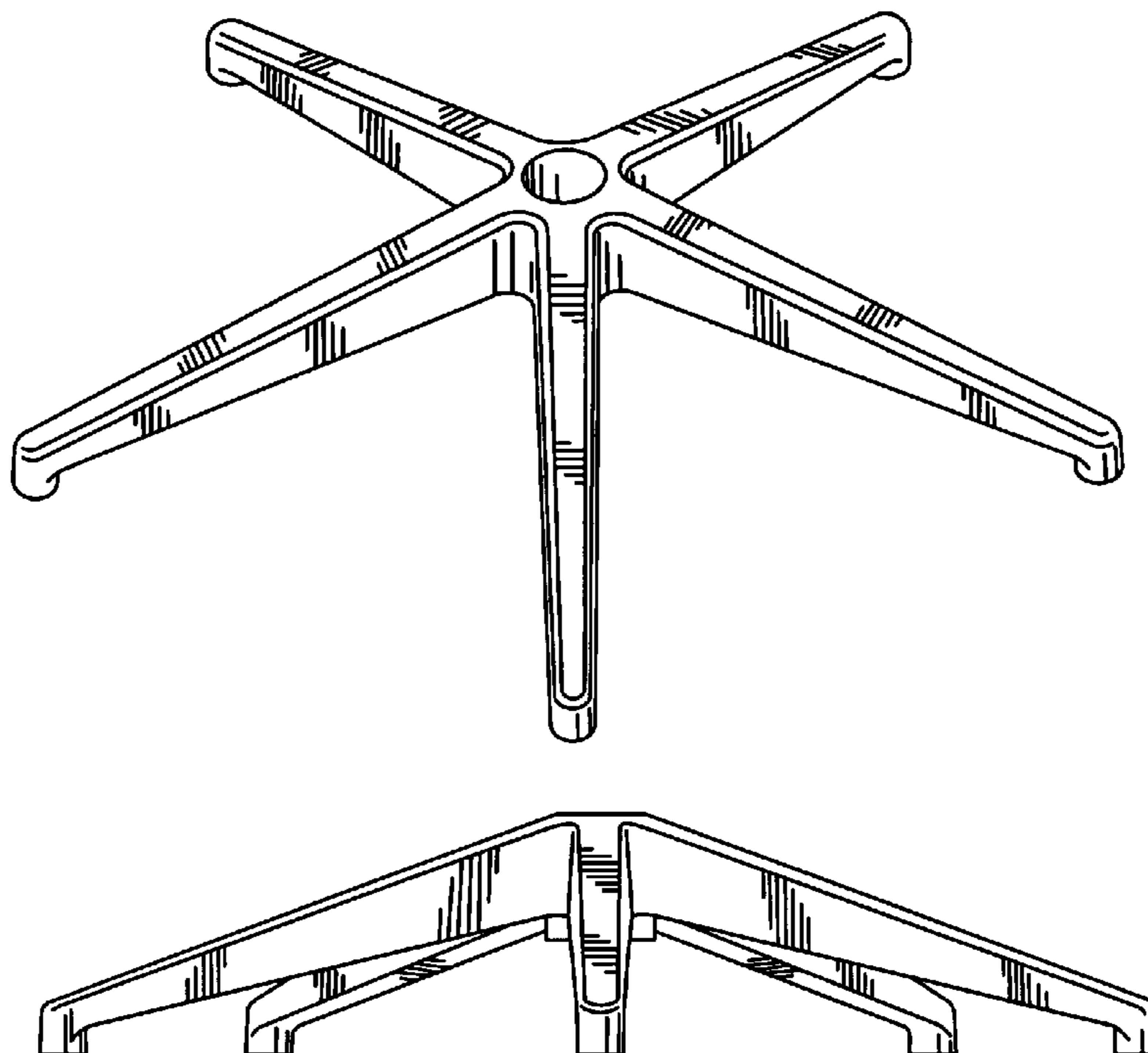
**U.S. PATENT DOCUMENTS**

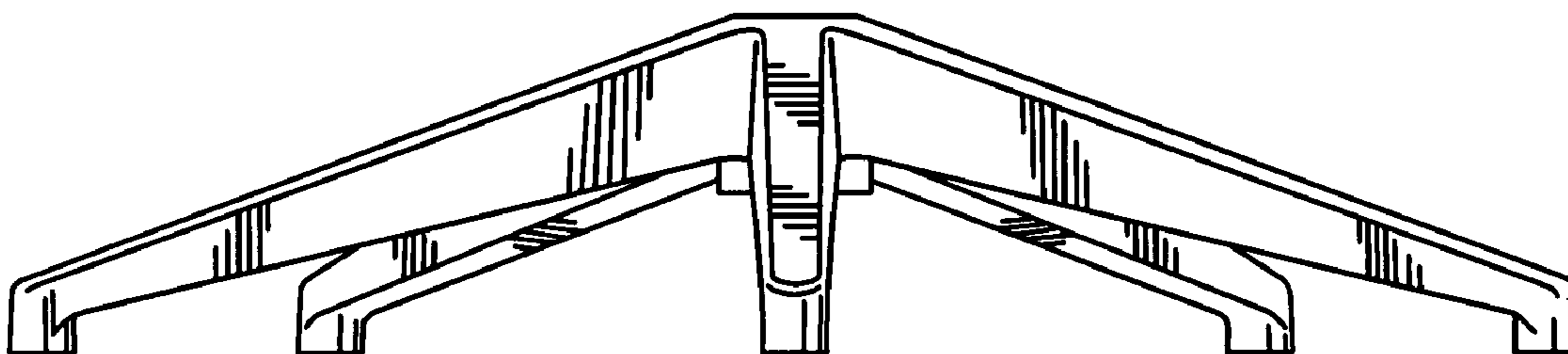
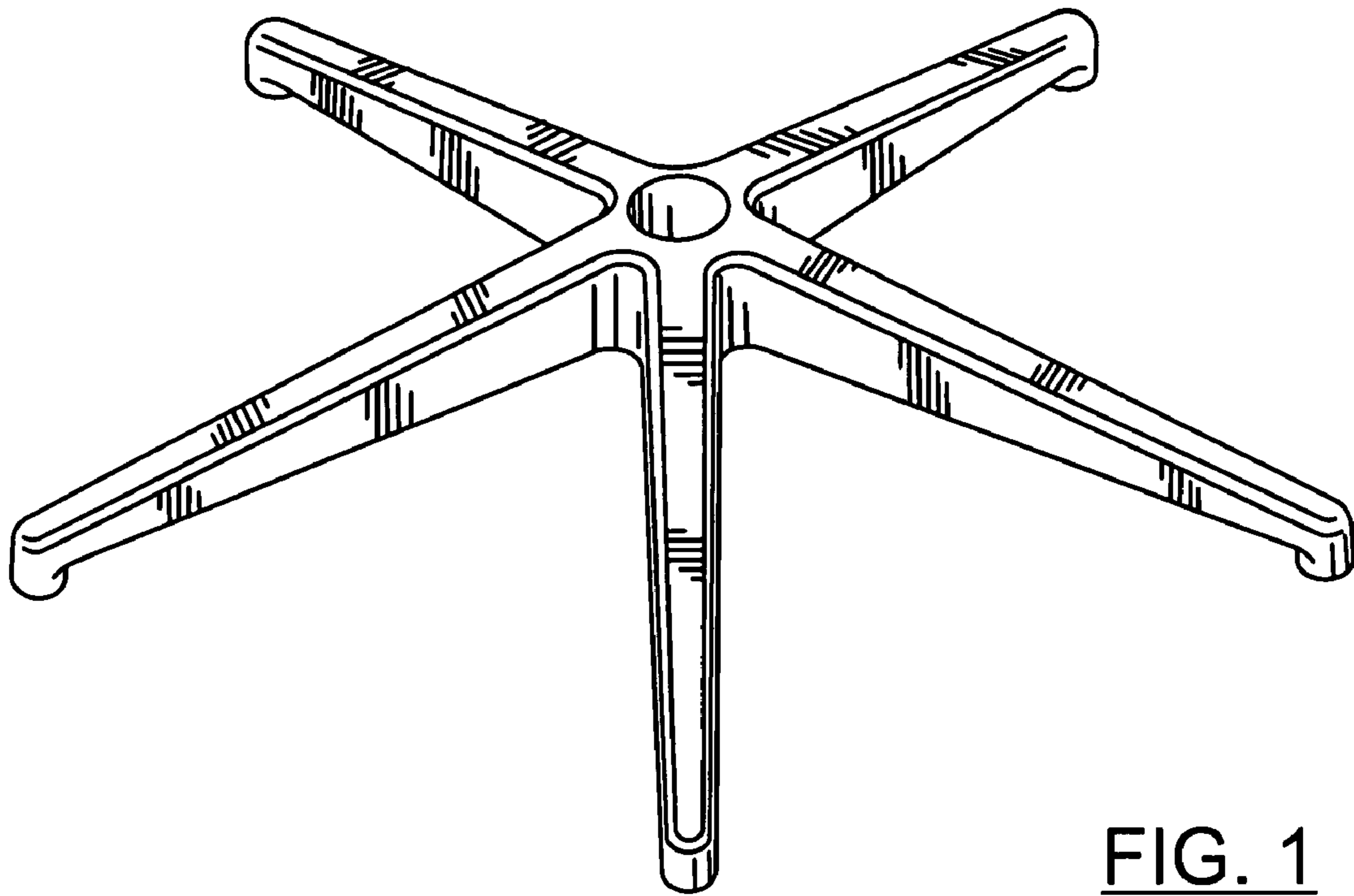
FIG. 5 is a side elevational view thereof facing an opening between two legs of the base, the side elevational views facing the remaining four openings being a copy of this view.

D458,060 S	6/2002	Vo	
D458,776 S	6/2002	Patton	
D505,024 S *	5/2005	Bellin	..... D6/366
D507,422 S *	7/2005	Seiler	..... D6/366
D507,436 S	7/2005	Chao	
D520,254 S *	5/2006	Kinoshita	..... D6/366
D535,112 S *	1/2007	Bernett et al.	..... D6/366
D535,830 S *	1/2007	Bernett et al.	..... D6/366

The shading illustrated in the figures is provided merely to represent the contour of the design and is not intended to be illustrative of texture, gloss, or surface decoration.

**1 Claim, 3 Drawing Sheets**





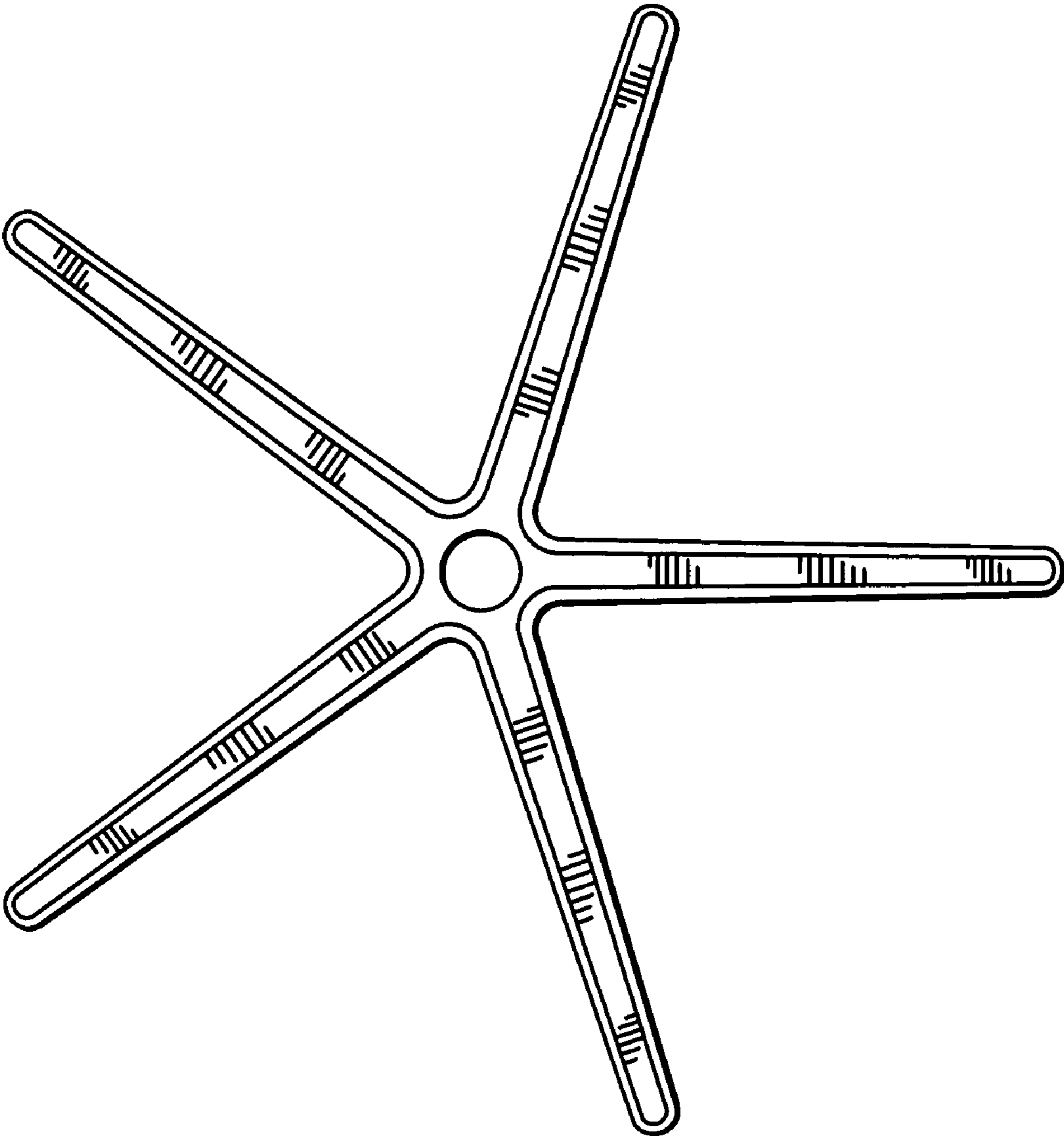


FIG. 3

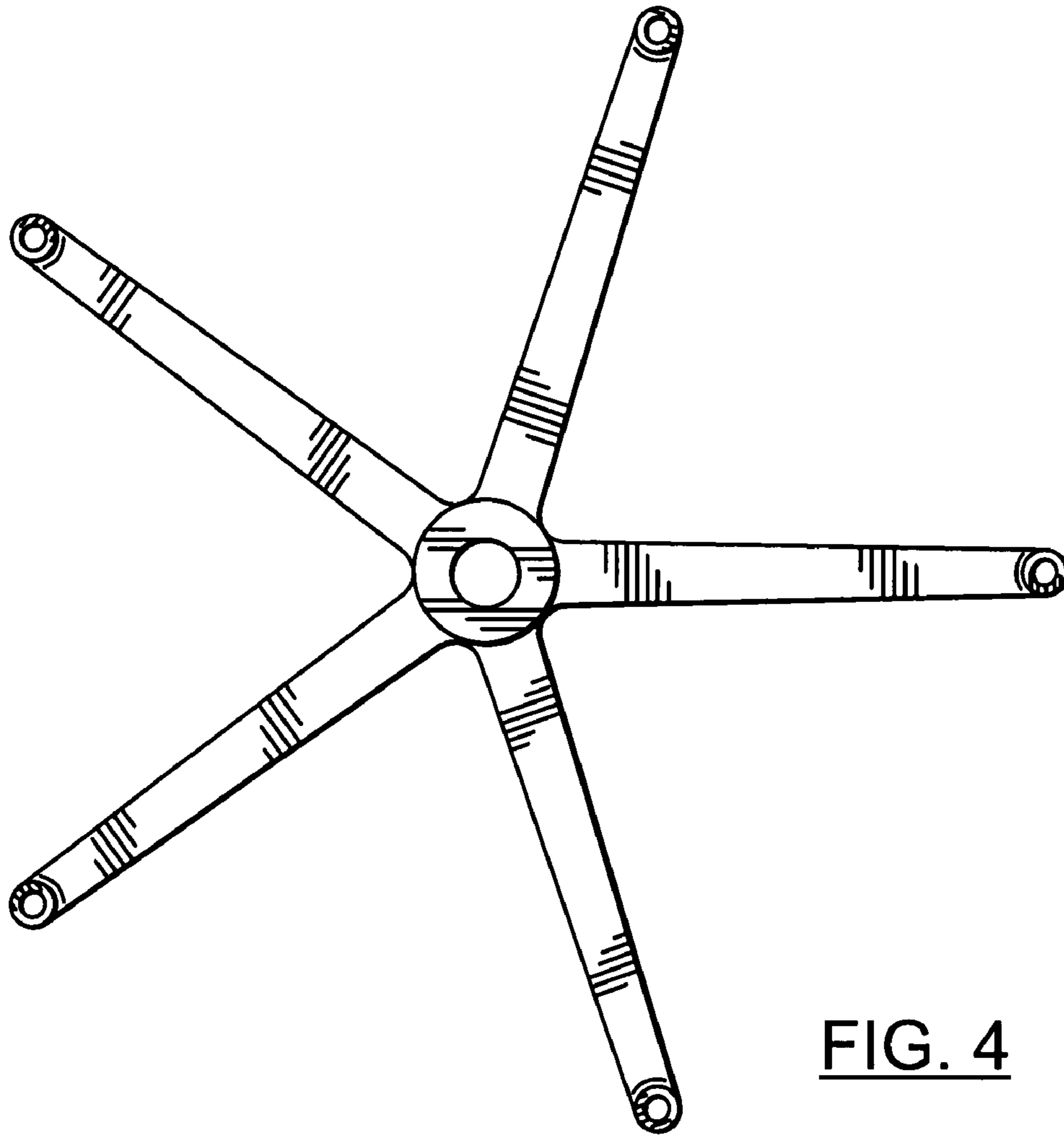


FIG. 4

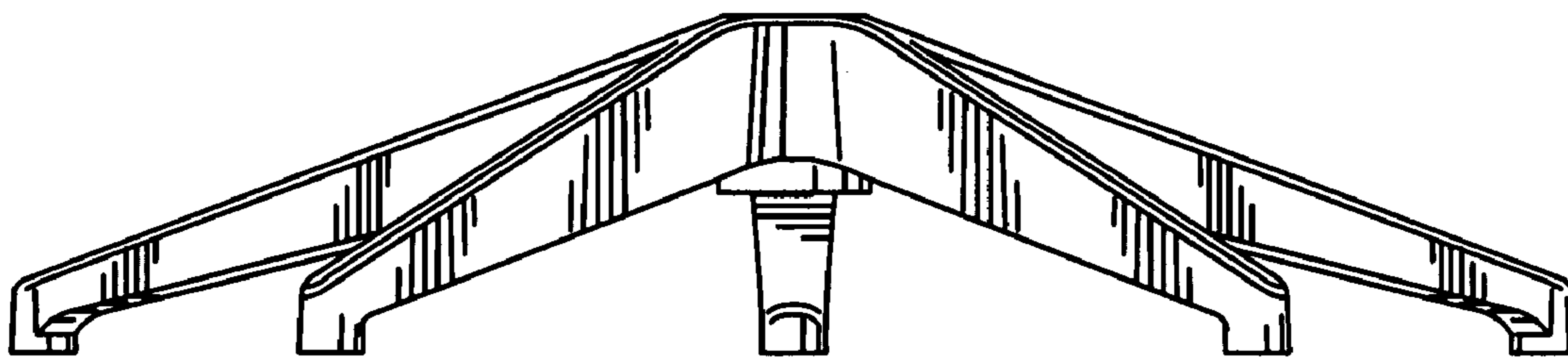


FIG. 5